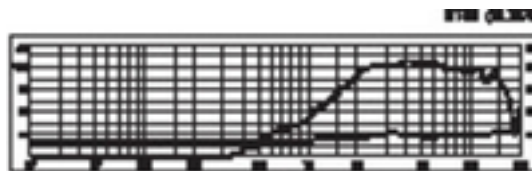
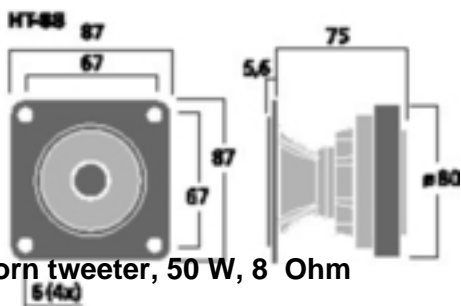


HT-88 - Horn Speaker



PA horn tweeter, 50 W, 8 Ohm

- Very linear and wide bandwidth radiation
- High efficiency
- Ferrofluid-cooled and ferrofluid-vaporised

Technical data:

Impedance (Z)	: 8 Ohm
Operating voltage	: -
Frequency range	: fx-18 kHz
Resonant frequency (fs)	: 2.5 kHz
Rec. crossov. frequ. (fmax.) (12 dB/oct.)	: 4 kHz
Power rating (P _{RMS})	: 50 W
Peak music power output (P _{MAX}))	: 100 W
Sensitivity	: 99 dB/W/m
Max. rated SPL	: -
Max. voltage	: -
Radiation angle	: 60°/60°
Suspension compl. (Cms)	: -
Moving mass (Mms)	: -
Mech. Q factor (Qms)	: -
Electr. Q factor (Qes)	: -
Total Q factor (Qts)	: -
Equivalent volume (Vas)	: -
DC resistance (Re)	: -
Force factor (BxL)	: -
Voice coil induct. (Le)	: -
Voice coil diameter	: Ø 25 mm
Voice coil former	: -
Linear excursion (X _{MAX})	: -
Eff. cone area (Sd)	: -
Magnet weight	: -
Magnet diameter	: Ø 80 mm
Mounting cutout	: Ø 82 mm
Mounting depth	: 75 mm
Mounting hole diameter	: -
Hole spacing X-axis	: -
Hole spacing Y-axis	: -
Dimensions	: 87 x 87 x 75 mm
Outside diameter	: -
Width	: -
Height	: -

Depth	: -
Protective class	:
Admiss. ambient temp.	: 0-40 Â°C
Weight	: 650 g
Sales unit	: 1
Type of speaker	: