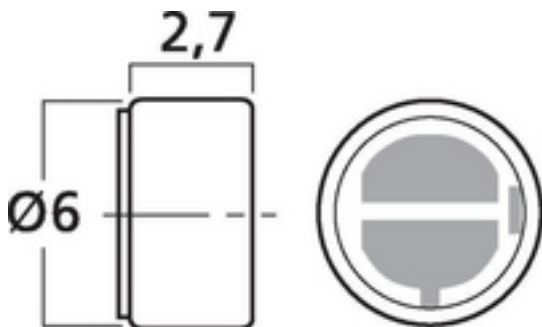


MCE-4500 - Electret Mike Capsule



High-quality subminiature back electret microphone cartridge for sensing microphones, (omnidirectional polar pattern), small-sized housing.

Technical data:

Polar pattern	: omnidir.
Frequency range	: 20-16,000 Hz
Sensitivity	: 6.3 mV/Pa
Max. sound pressure	: -
Output impedance	: 2.2 kOhm
S/N ratio	: ? 58 dB
Coupling capacitor	: 0.1-4.7 μ F
Suitable for	: -
Admiss. ambient temp.	: 0-40 °C
Power supply	: DC 1.5-10 V/0.5 mA
Dimensions	: \sim 6 mm 2.7 mm
Weight	: 1 g