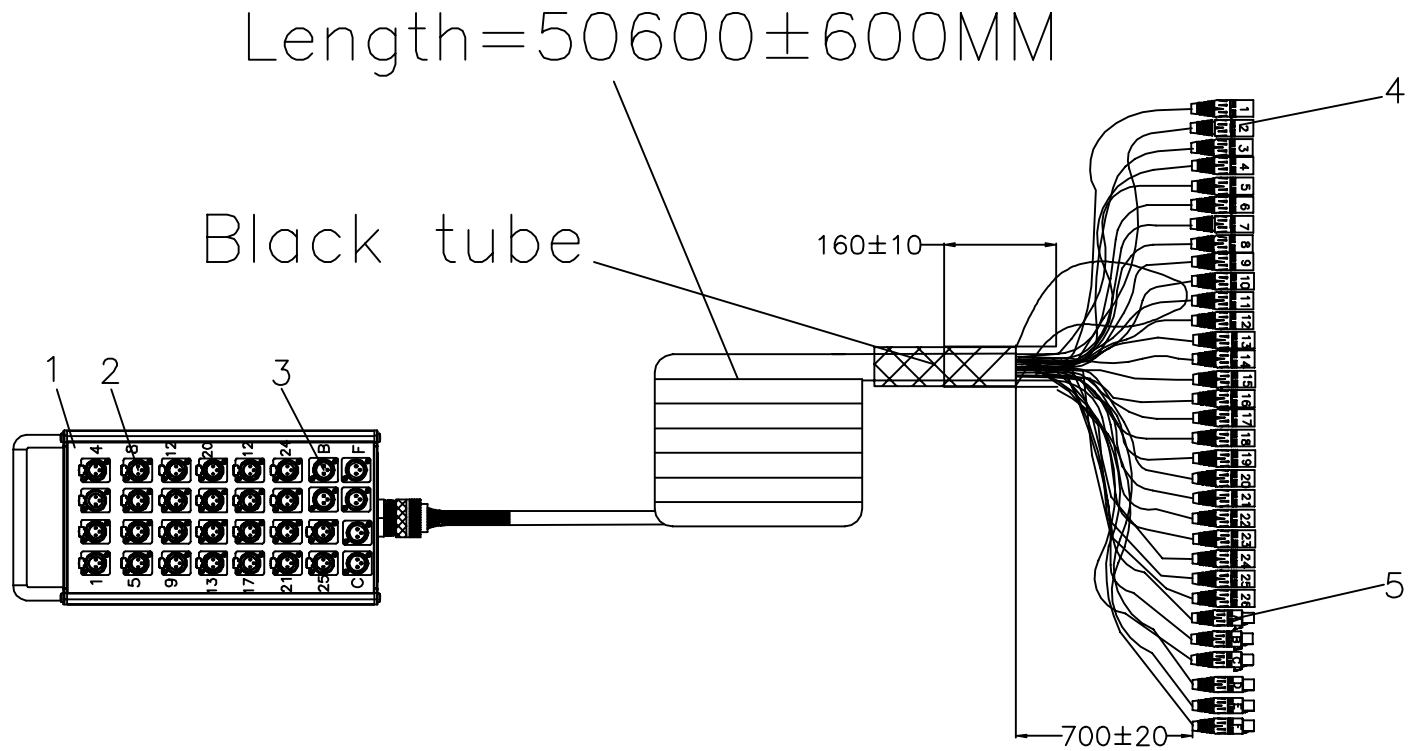


REVISION			
REV	DESCRIPTION	DATE	SIGNATURE
A	Initial release	2005.04.13	WANGWJ

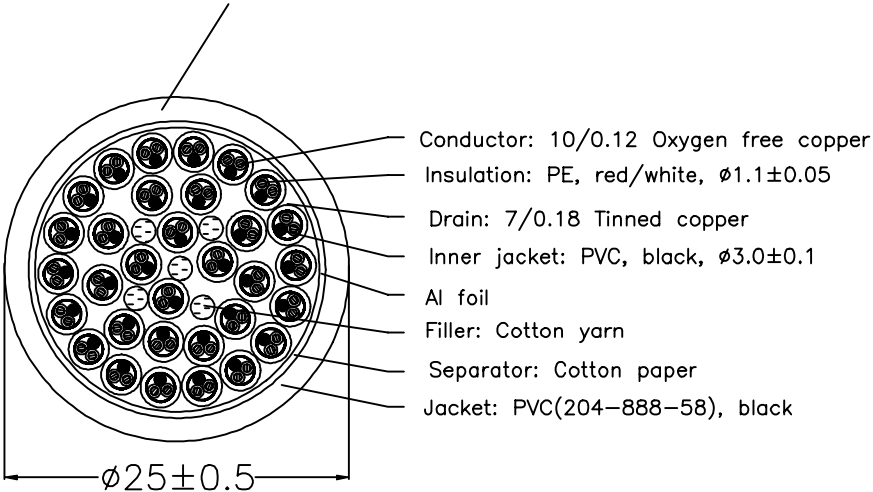


⑤	305-014	XLR(F)	6	Zn	Nickel plated	TITLE STB-2606				DRAWING No.		SHEET 1/1
④	305-013	XLR(M)	26	Zn	Nickel plated							
③	305-043	XLR socket(M)	6	Zn	Nickel plated							
②	305-042	XLR socket(F)	26	Zn	Nickel plated	UNIT	SCALE	TOL UNLESS NOTED	APPROVED	CHECKED	DRAWN	
①		BOX	1	Fe	Black	mm	Free	±0.1			WANGWJ	
No	PART No.	COMPONENTS	QTY	MATERIAL	FINISH						2005.04.13	

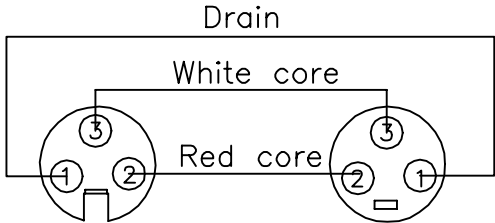
Master Hill Electric Wire & Cable Co.,Ltd.

REVISION			
REV	DESCRIPTION	DATE	SIGNATURE
A	Initial release	2005.04.13	WANGWJ

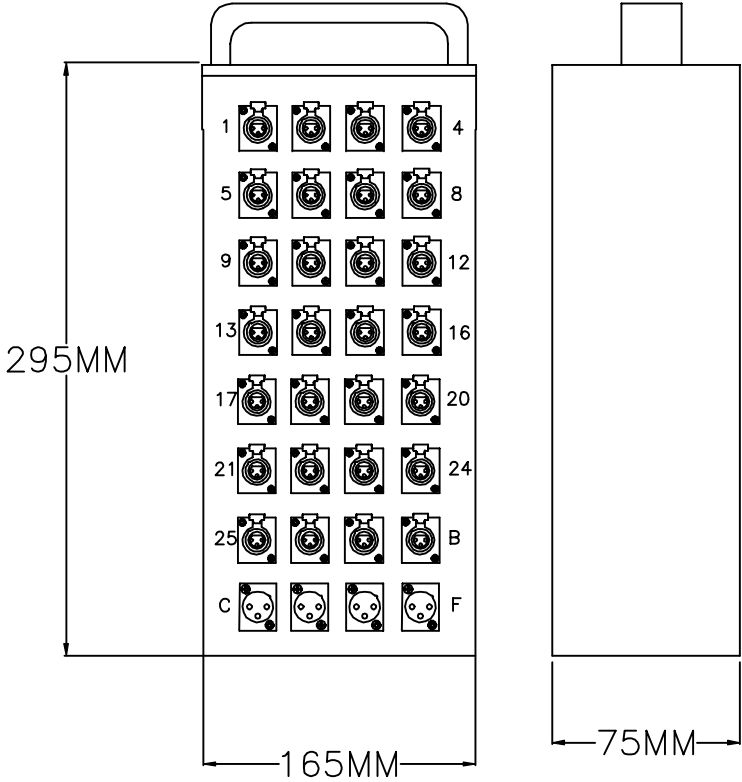
Printing(silver): (LOGO) Stage Line MULTIPAIR CABLE
 • HIGH QUALITY • HIGH FLEXIBLE 1M



Cable Construction



Wiring Method



Stage box

⑤											
④											
③										TITLE	DRAWING No.
②										STB-2606	SHEET
①											1/1
No	PART No.	COMPONENTS	QTY	MATERIAL	FINISH	UNIT	SCALE	TOL UNLESS NOTED	APPROVED	CHECKED	DRAWN
						mm	Free	± 0.1			WANGWJ
											2005.04.13