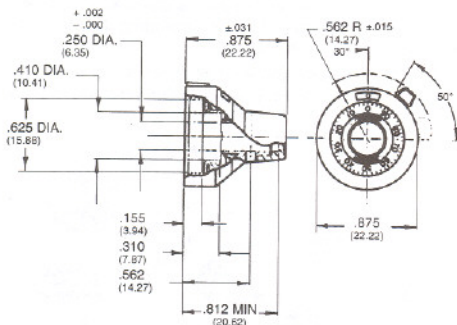




MODEL 16 MULTIDIAL®

MOUNTING INSTRUCTIONS



PRINCIPLES OF OPERATION

Inner scale of the Model 16 MULTIDIAL® is graduated in fiftieths of a turn. Outer scale (see in viewing window) counts the number of turns (0-15) that have been completed.

Example: If the numeral in the window reads 7 and the inner scale reads 22, reading is 7 turns plus 22/100 of the eighth turn. In the case of a 10-turn potentiometer, this equals 72.2% of 10 turns.

Each complete revolution of the inner scale transfers the outer scale numeral in window. Numeral transfer on outer scale occurs between 94 and 0 on the inner scale. During this transfer when two numerals appear in window, read lower numeral.

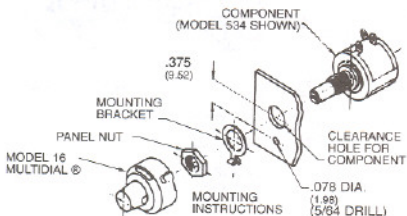
Centre position of brake lever actuates a "high torque" system allowing the adjustment of multi-dial. Full clockwise position of brake lever actuates brake.

Potentiometer or component shaft must extend from the panel face .625" min. to .812" max. to meet the requirements of the mounting instructions.

STANDARD MOUNTING INSTRUCTIONS

The following instructions apply when the Model 16 MULTIDIAL® is used on a panel in conjunction with Spectrol Multi-turn potentiometers or other rotary components.

1. Drill a .078" diameter hole .375" below potentiometer mounting hole on vertical centreline.
2. Position "S" portion of mounting bracket lug in the .078" diameter hole and mount potentiometer or component to panel as shown.
3. Turn the shaft or potentiometer against its counterclockwise stop.
4. Turn knob on the Model 16 so that "0" appears in window and the inner scale reads higher than 10 .
5. With the brake off (full counterclockwise) assemble the Model 16 over the potentiometer shaft. The locating lug on mounting bracket will engage anti-backlash clips in back of the multi-dial.
6. Turn the inner scale counterclockwise slowly until "0" of the inner dial coincides with the index mark, then tighten the set screw firmly against the potentiometer shaft.



OPTIONAL MOUNTING INSTRUCTIONS

The standard mounting instructions provide the optimum, preferred method for mounting the Model 16 MULTIDIAL®, however, when a non-turn or locating hole is not practical the following instructions apply:

1. Breakaway the non-turn ("S" shape) portion of the mounting bracket. Breakaway occurs when bent in direction shown.
2. Centre mounting bracket with component shaft and locate the lug as shown on the vertical centreline below the potentiometer shaft.
3. Follow instructions 3 thru 6 in standard mounting instructions for mounting and phasing Model 16.

**Vishay Limited (Spectrol Division), Unit 6-7, Marshall Road
Hillmead, SWINDON, Wiltshire SN5 5FZ**

Telephone: +44(0)1793 521351

General Fax +44(0)1793 539255 Sales Fax: +44(0)1793 525163

E-Mail addresses: SpectrolUk@aol.com (Sales)

Spectrolen@aol.com (Eng)

505-2314