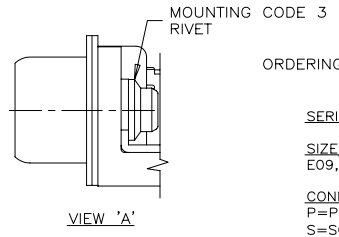
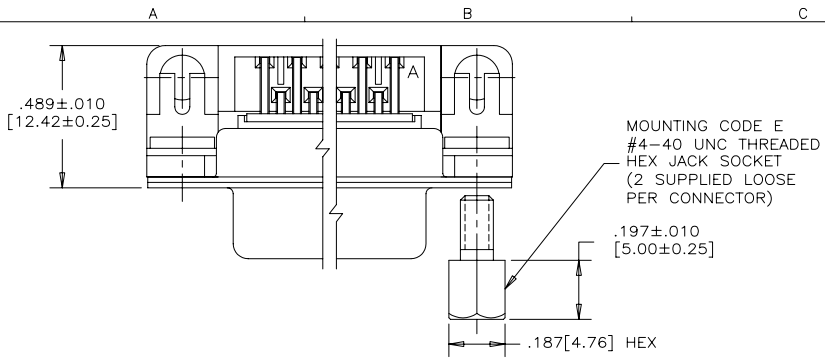


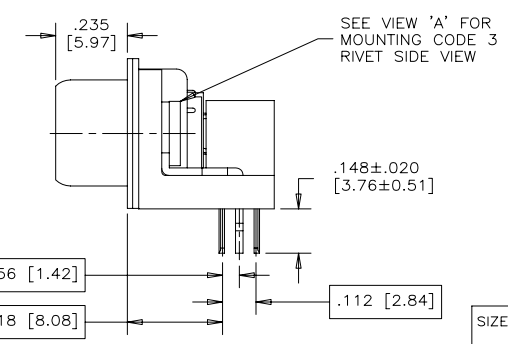
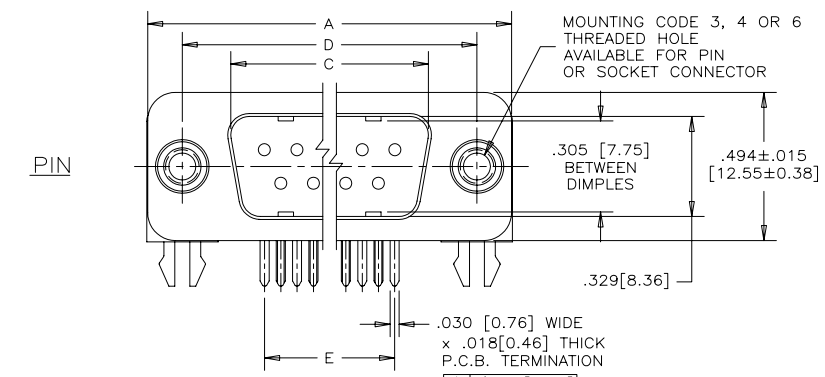
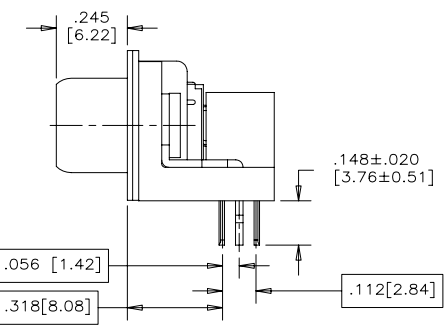
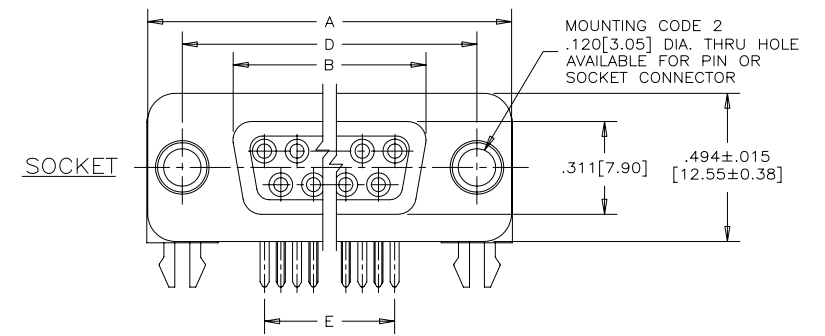
REVISIONS			
SYM	ECN, ERN NO.	DATE	APPRD.
N	PRODUCT DWG - EAR 12797	JUL18/05	K.L.



ORDERING CODE: F C C 1 7 - E 0 9 P A - 4 4 0 G

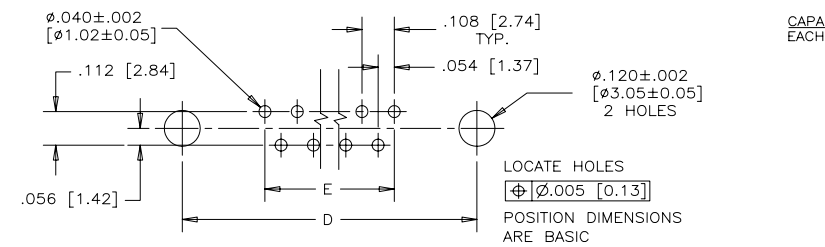
SERIES
SIZE/NUMBER OF CONTACTS
 E09, A15, B25, OR C37
CONNECTOR STYLE
 P=PIN
 S=SOCKET
TERMINATION TYPE
 A=.318" [8.08] FOOTPRINT

CONTACT FINISH/GOLD THICKNESS
 NO DIGIT=STANDARD 15 MICRONS [0.38 MICRONS] GOLD
 G=50 MICRONS [1.27 MICRONS] GOLD
MODIFIER
 0=STANDARD
FILTER CAPACITANCE
 D=50 pF 7=1200 pF
 B=100 pF J=1500 pF
 O=180 pF E=2200 pF
 F=330 pF 9=5600 pF
 1=470 pF 8=47000 pF
 4=820 pF N=NO FILTERS
 5=1000 pF
 REFER TO AMPHENOL CATALOGUE FOR FILTER PERFORMANCE CHARACTERISTICS
MOUNTING
 2=.120 [3.05] DIA THROUGH HOLE
 3=#4-40 UNC SELF-LOCKING THREAD
 4=#4-40 UNC THREAD
 6=M3 x 0.5 THREAD
 E=CODE 4 MOUNTING WITH #4-40 UNC HEX JACK SOCKET SUPPLIED.

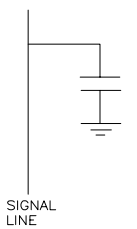


NOTES:

- MATERIALS: - SHELLS - TIN PLATED STEEL
 - CONTACTS - PHOSPHOR BRONZE PLATED WITH GOLD OVER NICKEL ON THE MATING AREA AND TIN-LEAD ON THE TERMINALS
 - INSULATOR - ENGINEERING THERMOPLASTIC, FLAMMABILITY RATING UL94V-0, BLACK
- CONTACT RESISTANCE: 15 MILLIOHMS MAXIMUM
- INSULATION RESISTANCE: 3000 MEGOHMS MINIMUM
- CURRENT RATING: 5 AMPS MAXIMUM
 2 AMPS FILTERING MAXIMUM
- OPERATING TEMPERATURE: -40°C TO 85°C
- TOLERANCE UNLESS INDICATED OTHERWISE: ±.005 [0.13]
- MATERIAL FOR 9, 15 AND 25 SIZE IS HIGH TEMPERATURE RESISTANT AND CAN WITHSTAND 260°C FOR 60 SECONDS.
- CSA ELECTRICAL RATING: 200VDC, 5A MAX.



CAPACITANCE SCHEMATIC EACH POSITION



SIZE	STYLE	A±.015 [0.38]	B±.005 [0.13]	C±.005 [0.13]	D±.005 [0.13]	E BSC.
E09	PIN	1.213 [30.81]	-----	.666 [16.92]	.984 [24.99]	.432 [10.97]
	SOCKET		.643 [16.33]	-----		
A15	PIN	1.541 [39.14]	-----	.994 [25.25]	1.312 [33.32]	.756 [19.20]
	SOCKET		.971 [24.66]	-----		
B25	PIN	2.088 [53.04]	-----	1.534 [38.96]	1.852 [47.04]	1.304 [33.12]
	SOCKET		1.511 [38.38]	-----		
C37	PIN	2.729 [69.32]	-----	2.182 [55.42]	2.500 [63.50]	1.956 [49.68]
	SOCKET		2.159 [54.84]	-----		

THIS DOCUMENT CONTAINS PROPRIETARY INFORMATION AND SUCH INFORMATION MAY NOT BE DISCLOSED TO OTHERS FOR ANY PURPOSE OR USED FOR MANUFACTURING PURPOSES WITHOUT WRITTEN PERMISSION FROM AMPHENOL CANADA CORP.

MATERIAL	DRAWN I.ESSAJEE	DATE 96/10/08
	DESIGNED K.LAMBIE	96/10/07
	CHECKED	
	I. E. APPRD.	
	Q. A. APPRD.	
	DWG. APPRD.	
	ENG. REL. NO.	
	REF.	
	DIMENSIONS ARE IN INCHES [mm]	CODE ID. NO. 03554

Amphenol Canada Corp.

TITLE
 FCC17 FILTERED D-SUB, RIGHT ANGLE .318 [8.08] F/P, PIN & SOCKET - PLASTIC MTG BRACKET & BOARDLOCK

DWG C DRAWING NO. P-FCC17-XXXXA-XXOX REV. N

SCALE 3/1 WT. ----- SURF. ----- SHEET 1 OF 1