



Acoustic Components Piezoelectric



Americor Electronics Ltd. - 675 S. Lively Blvd. - Elk Grove Village, Illinois 60007

Tel.: [847] 956-6200 - Fax.: [847] 956-0300 - Toll Free: [800] 830-5337 - E-mail: info@americor-usa.com - <http://www.americor-usa.com/>

External Drive Type

Application

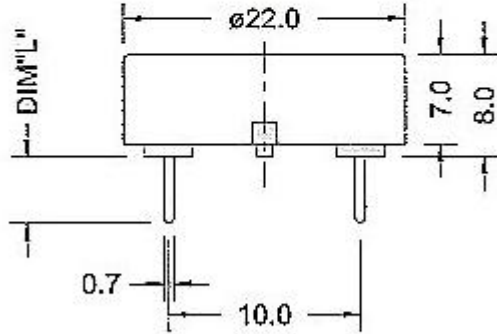
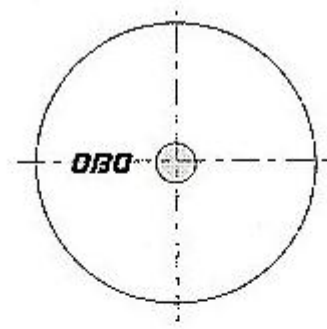
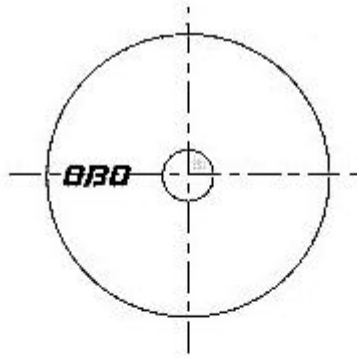
- Musical Toys
- Home Appliances
- Communication Equipment
- Computer Peripherals, Office Equipment
- Instruments etc



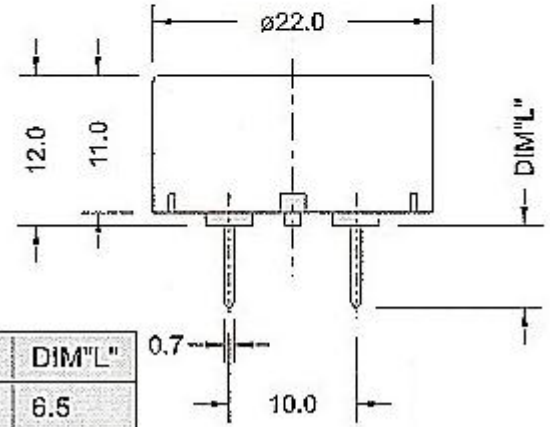
Part Number: OBO - 20205PA / PB OBO - 22220PA / PB OBO22240PA / PB

Sound Pressure Level	85dB min at 4.0KHz / 9Vp-p Square Wave 10 cm 75dB min at 4.0 KHz / 1Vrms Sine Wave 10 cm	80dB min at 2.0KHz / 9Vp-p Square Wave 10 cm 70dB min at 2.0KHz / 1Vrms Sine Wave 10 cm	90dB min at 4.0KHz / 12Vp-p Square Wave 30 cm 75dB min at 4.0KHz / 1Vrms Sine Wave 30 cm
Capacitance	12.000pF ± 30 % at 120 HZ	25.000pF ± 30 % at 120 HZ	12.000pF ± 30 % at 120 HZ
Allowable Input Voltage	30Vp-p max	30Vp-p max	30Vp-p max
Current Consumption	3mA max at 4.0 KHz / 9Vp-p Square wave	3mA max at 2.0KHz / 9Vp-p Square wave	4mA max at 4.0KHz / 12Vp-p Square wave
Housing Material	PBT (UL 94V-0)	PBT (UL 94V-0)	PBT (UL 94V-0)
Lead Pin Material	Phosphor Bronze Tin Plated	Phosphor Bronze Tin Plated	Phosphor Bronze Tin Plated
Operating Temperature Range	-20°C to + 70°C	-20°C to + 70°C	-20°C to + 70°C
Storage Temperature Range	-40°C to + 85°C	-40°C to + 85°C	-40°C to + 85°C
Weight	2.7 grams	2.9 grams	3.2 grams

**Dimensions (Unit: mm
± 0.5 mm**



Model	DIM"L"
PA	6.5
PB	3.7



Model	DIM"L"
PA	6.5
PB	3.7

**Sound Pressure Level
vs. Frequency**

