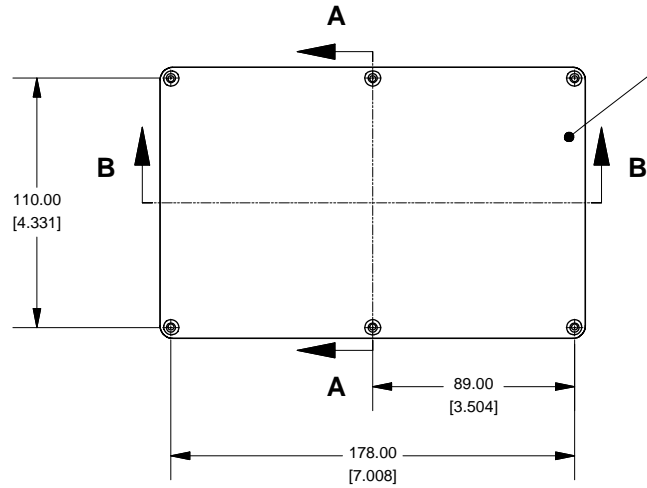
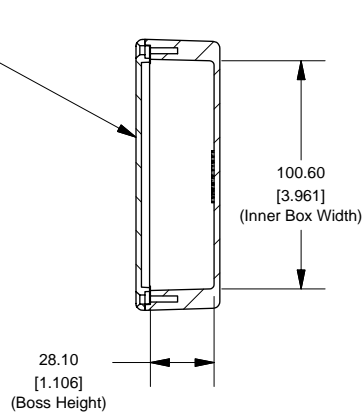


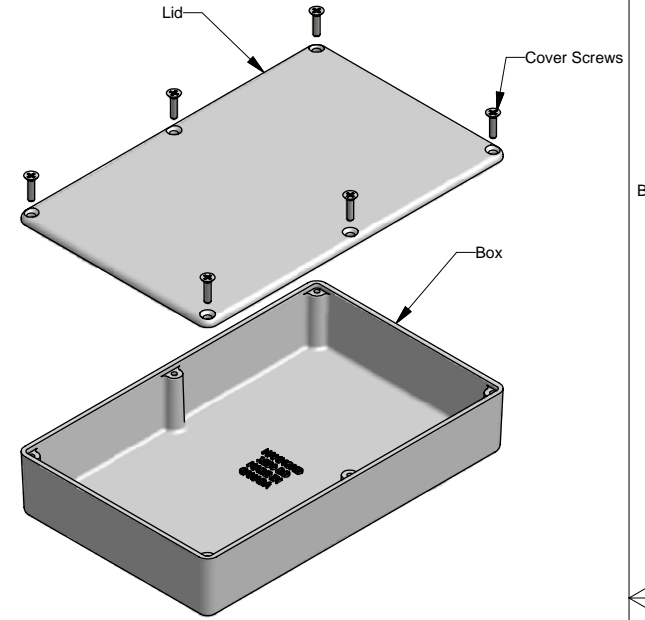
Top View of Assembly



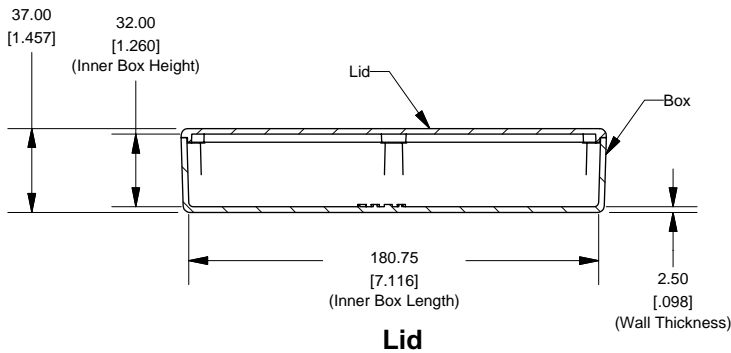
SECTION A-A End View of Assembly



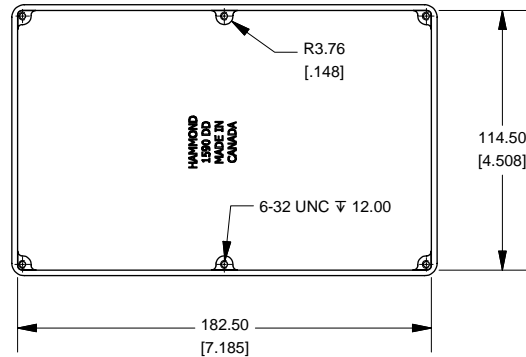
Series 1590DD



SECTION B-B Side View of Assembly



Top View Looking Inside Box



NOTE
Purchased assembly includes box, lid and 4 cover screws.
Box and lid are made from Diecast Aluminum Alloy (alloy type 360.1).

PART NUMBERS	
1590DD Enclosure	
Unfinished	1590DD
Black Textured Powder Paint	1590DDBK
1590DD Liquid Resistant Enclosure (Silicon Factory Installed Gasket)	
Unfinished	1590WDD
Black Textured Powder Paint	1590WDBK
ACCESSORIES	
Unfinished	
Cover Screws (Pkg 100)	
[6-32 x 1/2" Nickel Plated Screws]	1590MS100
Black Textured Powder Paint	
Cover Screws (Pkg 50)	
[6-32 x 1/2" Stainless Steel Black Screws]	1590MS50BK

B

B

A

A

