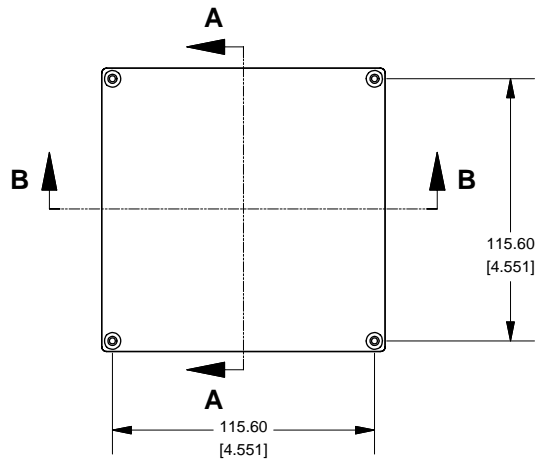
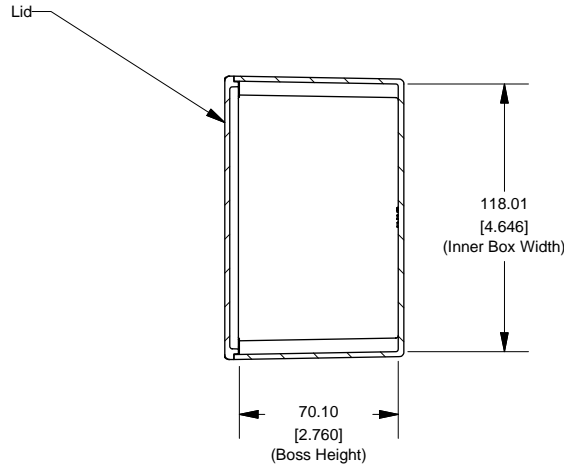


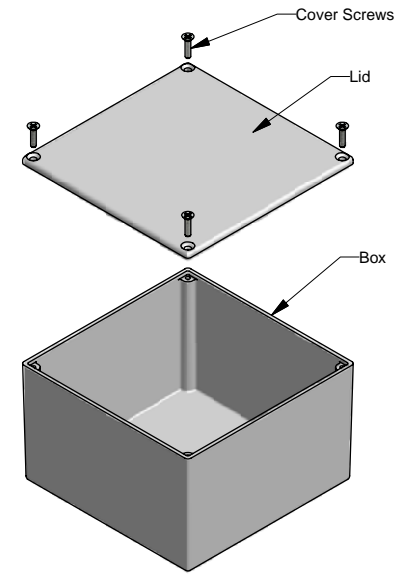
Top View of Assembly



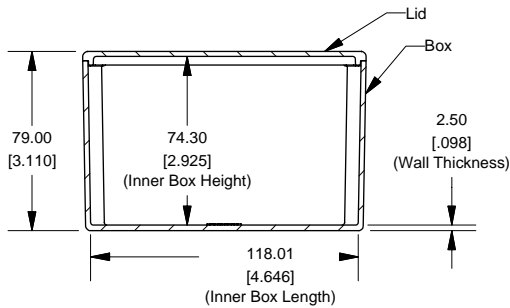
SECTION A-A End View of Assembly



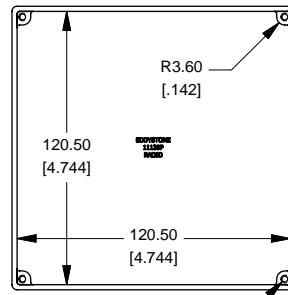
Series 1590K (Basic)



SECTION B-B Side View of Assembly

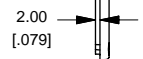
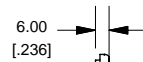
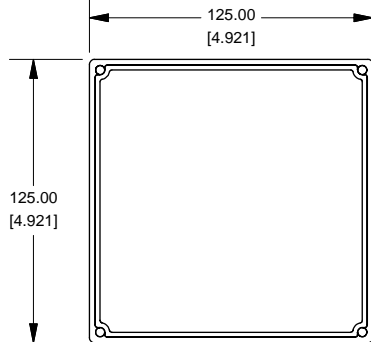


Top View Looking Inside Box



6-32 UNC - 2B ∇ 10.00
(Threaded Holes)

Lid



NOTE
Purchased assembly includes box, lid and 4 cover screws.
Box and lid are made from Diecast Aluminum Alloy (alloy type 360.1).

PART NUMBERS	
1590K Enclosure	
Unfinished	1590K
Black Textured Powder Paint	1590KBK
1590K Liquid Resistant Enclosure (Silicon Factory Installed Gasket)	
Unfinished	1590WK
Black Textured Powder Paint	1590WKBK
ACCESSORIES	
Unfinished	
Cover Screws (Pkg 100)	
[6-32 x 1/2" Nickel Plated Screws]	1590MS100
Black Textured Powder Paint	
Cover Screws (Pkg 50)	
[6-32 x 1/2" Stainless Steel Black Screws]	1590MS50BK



www.hammondmfg.com