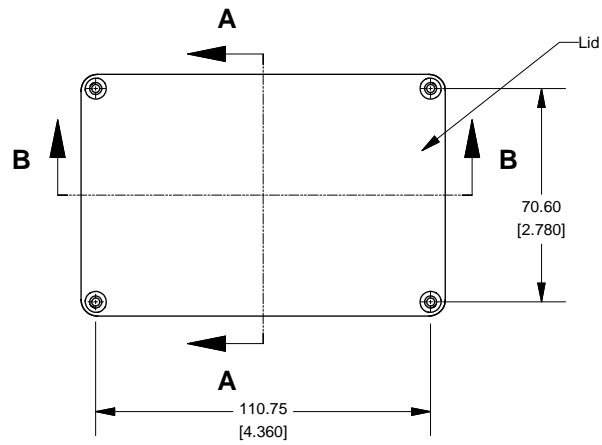
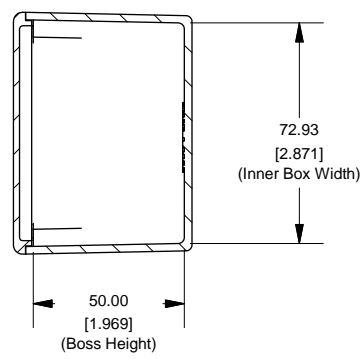


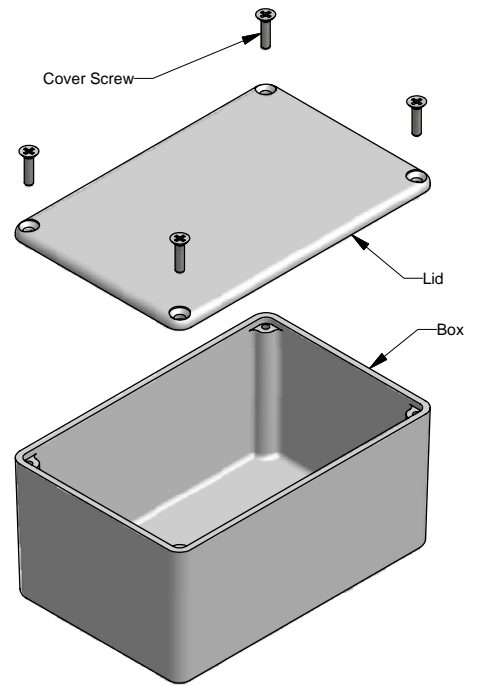
Top View of Assembly



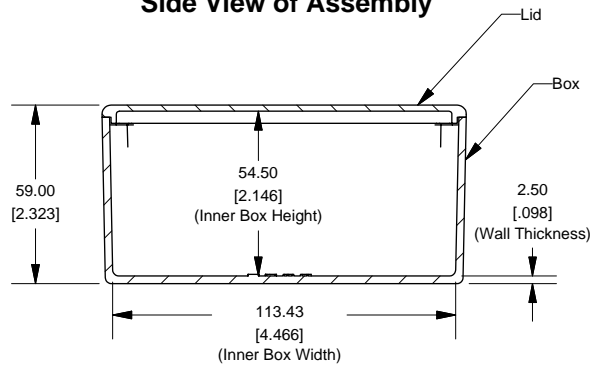
SECTION A-A
End View of Assembly



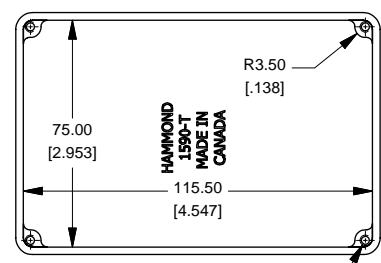
Series 1590T (Basic)



SECTION B-B
Side View of Assembly

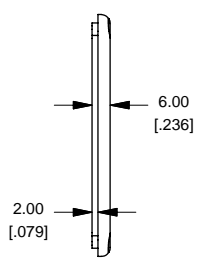
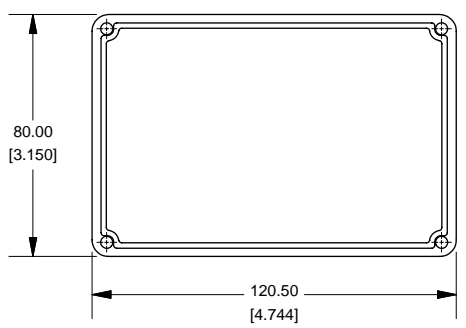


Top View Looking Inside Box



6-32 UNC - 2B ∇ 9.00
(Threaded Holes)

Lid



NOTE
Purchased assembly includes box, lid and 4 cover screws.
Box and lid are made from Diecast Aluminum Alloy (alloy type 360.1).

PART NUMBERS	
1590T Enclosure	
Unfinished	1590T
Black Textured Powder Paint	1590TBK
1590T Liquid Resistant Enclosure (Silicon Factory Installed Gasket)	
Unfinished	1590WT
Black Textured Powder Paint	1590WTBK
ACCESSORIES	
Unfinished	
Cover Screws (Pkg 100) [6-32 x 1/2" Nickel Plated Screws]	1590MS100
Black Textured Powder Paint	
Cover Screws (Pkg 50) [6-32 x 1/2" Stainless Steel Black Screws]	1590MS50BK

