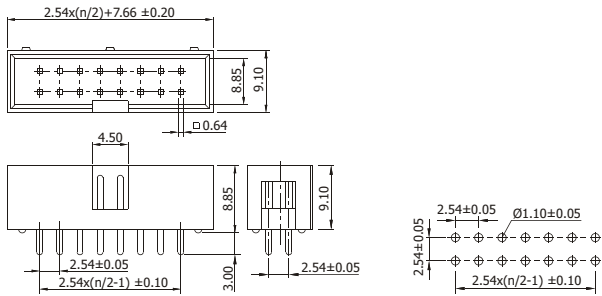
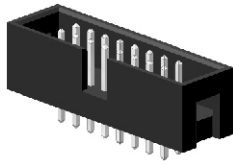
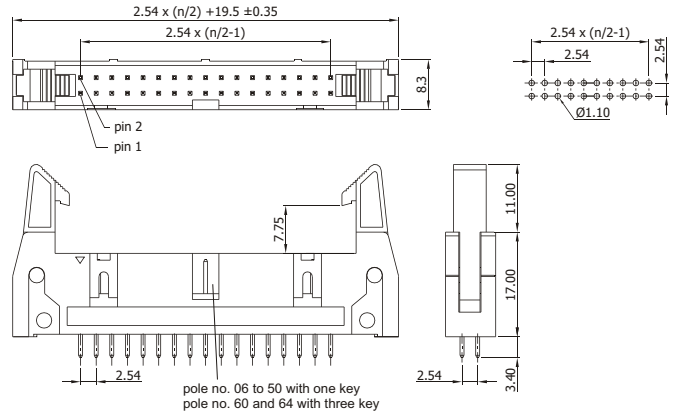
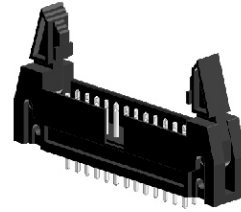


23-25VTXA



available pole no.: 06, 08, 10, 12, 14, 16, 20, 24, 26, 30, 34, 40, 50, 60, 64 soldering temp.: 260°C max / 10 sec

23-25VTLA



available pole no.: 06, 08, 10, 12, 14, 16, 20, 24, 26, 30, 34, 40, 50, 60, 64 soldering temp.: 260°C max / 10sec

electrical data

contact material	: copper alloy
pin	: 0.64 x 0.64 mm
insulator	: nylon 46
flammability	: UL 94V-0
voltage rating	: 250V AC/DC
current rating	: 3A
insulation resistance	: 1000 Meg Ohm min
operating temperature	: -40°C to +105°C
soldering temperature	: see drawing

plating

00= flash gold
60= selective flash gold

latch X= without

locating peg X=without

possible packing

P=tray, T=tube

order code

23-25VTXA-		10-		X	P-	00
23-25VTLA-		10-		X	P-	00
series-no.	latch	poles	pin code	locating peg	packing	plating