



PIC16C781/782

Data Sheet

8-Bit CMOS Microcontrollers with A/D,
D/A, OPAMP, Comparators and PSMC

Note the following details of the code protection feature on PICmicro® MCUs.

- The PICmicro family meets the specifications contained in the Microchip Data Sheet.
- Microchip believes that its family of PICmicro microcontrollers is one of the most secure products of its kind on the market today, when used in the intended manner and under normal conditions.
- There are dishonest and possibly illegal methods used to breach the code protection feature. All of these methods, to our knowledge, require using the PICmicro microcontroller in a manner outside the operating specifications contained in the data sheet. The person doing so may be engaged in theft of intellectual property.
- Microchip is willing to work with the customer who is concerned about the integrity of their code.
- Neither Microchip nor any other semiconductor manufacturer can guarantee the security of their code. Code protection does not mean that we are guaranteeing the product as “unbreakable”.
- Code protection is constantly evolving. We at Microchip are committed to continuously improving the code protection features of our product.

If you have any further questions about this matter, please contact the local sales office nearest to you.

Information contained in this publication regarding device applications and the like is intended through suggestion only and may be superseded by updates. It is your responsibility to ensure that your application meets with your specifications. No representation or warranty is given and no liability is assumed by Microchip Technology Incorporated with respect to the accuracy or use of such information, or infringement of patents or other intellectual property rights arising from such use or otherwise. Use of Microchip's products as critical components in life support systems is not authorized except with express written approval by Microchip. No licenses are conveyed, implicitly or otherwise, under any intellectual property rights.

Trademarks

The Microchip name and logo, the Microchip logo, PIC, PICmicro, PICMASTER, PICSTART, PRO MATE, KEELOQ, SEEVAL, MPLAB and The Embedded Control Solutions Company are registered trademarks of Microchip Technology Incorporated in the U.S.A. and other countries.

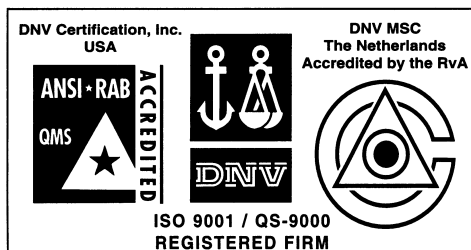
Total Endurance, ICSP, In-Circuit Serial Programming, Filter-Lab, MXDEV, microID, *FlexROM*, *fuzzyLAB*, MPASM, MPLINK, MPLIB, PICC, PICDEM, PICDEM.net, ICEPIC, Migratable Memory, FanSense, ECONOMONITOR, Select Mode and microPort are trademarks of Microchip Technology Incorporated in the U.S.A.

Serialized Quick Term Programming (SQTP) is a service mark of Microchip Technology Incorporated in the U.S.A.

All other trademarks mentioned herein are property of their respective companies.

© 2001, Microchip Technology Incorporated, Printed in the U.S.A., All Rights Reserved.

 Printed on recycled paper.



Microchip received QS-9000 quality system certification for its worldwide headquarters, design and wafer fabrication facilities in Chandler and Tempe, Arizona in July 1999. The Company's quality system processes and procedures are QS-9000 compliant for its PICmicro® 8-bit MCUs, KEELOQ® code hopping devices, Serial EEPROMs and microperipheral products. In addition, Microchip's quality system for the design and manufacture of development systems is ISO 9001 certified.

8-Bit CMOS Microcontrollers with A/D, D/A, OPAMP, Comparators and PSMC

Microcontroller Core Features:

- High performance RISC CPU
- Only 35 single word instructions to learn
- All single cycle instructions except for program branches which are two cycle
- Direct, indirect and relative addressing modes
 - Operating speed: DC - 20 MHz clock input
 - DC - 200 ns instruction cycle

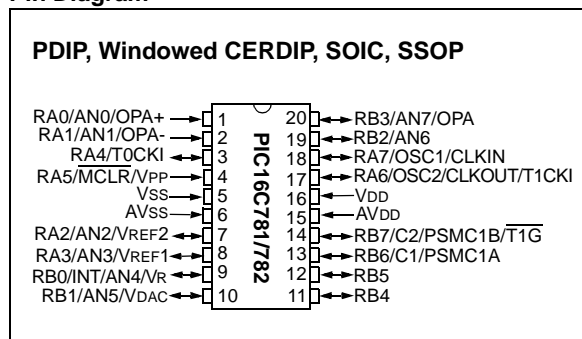
Device	Program Memory X14	Data Memory X8
PIC16C781	1K	128
PIC16C782	2K	128

- 8-level deep hardware stack
- Interrupt capability (up to 8 internal/external interrupt sources)
- 16 I/O pins:
 - Individual direction control (13 pins)
 - Input only (3 pins), low leakage (2 pins)
 - Digital/Analog inputs (8 pins)
- Programmable PORTB interrupt-on-change (8 pins)
- Programmable PORTB weak pull-ups (8 pins)
- Power-on Reset (POR)
- Power-up Timer (PWRT) and Oscillator Start-up Timer (OST)
- Watchdog Timer (WDT) with a software enabled option and its own on-chip RC oscillator for reliable operation
- Programmable Brown-out Reset (BOR)
- Programmable Low Voltage Detection (LVD)
- Internal/external MCLR
- Programmable code protection
- Power saving SLEEP mode
- Selectable oscillator options: HS, XT, LP, EC, RC, INTRC (4 MHz/37 kHz)
- In-Circuit Serial Programming™ (ISCP™)
- Program Memory Read (PMR) capability
- Four user programmable ID locations
- Wide operating voltage range:
 - 2.5V to 5.5V for commercial and industrial temperature ranges
 - Extended temperature range available

Microcontroller Core Features (Continued):

- Low power, high speed CMOS EPROM technology
- Fully static design
- Low power consumption:
 - < 2 mA @ 5V, 4 MHz
 - < 1 µA typical standby current.

Pin Diagram



Peripheral Features:

- Timer0: 8-bit timer/counter with 8-bit prescaler
- Enhanced Timer1:
 - 16-bit timer/counter with prescaler
 - External Gate Input mode
 - Option to use OSC1 and OSC2 in LP mode as Timer1 oscillator, if INTRC oscillator mode selected
- Analog-to-Digital Converter (ADC):
 - 8-bit resolution
 - Programmable 8-channel input
 - Internal voltages available for self-diagnostics
- Digital-to-Analog Converter (DAC):
 - 8-bit resolution
 - Reference from AVDD, VREF1, or VR module
 - Output configurable to VDAC pin, Comparators, and ADC reference
- Operational Amplifier module (OPA):
 - Firmware initiated input offset voltage Auto Calibration module
 - Low leakage inputs
 - Programmable Gain Bandwidth Product (GBWP)

PIC16C781/782

Peripheral Features (Continued):

- Dual Analog Comparator module with:
 - Individual enable and interrupt bits
 - Programmable speed and output polarity
 - Fully configurable inputs and outputs
 - Reference from DAC, or VREF1/VREF2
 - Low input offset voltage.
- VR voltage reference module:
 - 3.072V +/- 0.7% @25°C, AVDD = 5V
 - Configurable output to ADC reference, DAC reference, and VR pin
 - 5 mA sink/source
- Programmable Switch Mode Controller module:
 - PWM and PSM modes
 - Programmable switching frequency
 - Configurable for either single or dual feedback inputs
 - Configurable single or dual outputs
 - Slope compensation output available in single output mode

Key Features PICmicro™ Mid-Range Reference Manual (DS33023)	PIC16C781	PIC16C782
Operating Frequency	DC - 20 MHz	DC - 20 MHz
RESETS (and Delays)	POR, BOR, MCLR, WDT (PWRT, OST)	POR, BOR, MCLR, WDT (PWRT, OST)
Program Memory (14 bit words)	1K	2K
Data Memory (bytes)	128	128
Interrupts	8	8
I/O Ports	13 + 3 Input only	13 + 3 Input only
Timers	2	2
Programmable Switch Mode Controller	1	1
8-bit Analog-to-Digital Module	1	1
ADC channels	8 External, 2 Internal	8 External, 2 Internal
8-bit Digital-to-Analog Module	1	1
Comparators	2	2
Comparator Channels	4 (AN<7:4>)	4 (AN<7:4>)
Operational Amplifier	1	1
Voltage Reference	1	1
Brown-out Reset	Yes	Yes
Programmable Low Voltage Detect	Yes	Yes
Instruction Set	35 Instructions	35 Instructions

Table of Contents

1.0	Device Overview	5
2.0	Memory Organization	11
3.0	I/O Ports	25
4.0	Program Memory Read (PMR)	47
5.0	Timer0 Module	51
6.0	Timer1 Module with Gate Control	55
7.0	Voltage Reference Module (VR)	61
8.0	Programmable Low Voltage Detect Module (PLVD)	63
9.0	Analog-to-Digital Converter (ADC) Module	69
10.0	Digital-to-Analog Converter (DAC) Module	79
11.0	Operational Amplifier (OPA) Module	83
12.0	Comparator Module	89
13.0	Programmable Switch Mode Controller (PSMC)	99
14.0	Special Features of The CPU	117
15.0	Instruction Set Summary	133
16.0	Development Support	141
17.0	Electrical Characteristics	147
18.0	DC and AC Characteristics Graphs and Tables	167
19.0	Packaging Information	169
	Index	175
	On-Line Support.....	181
	Reader Response	182
	PIC16C781/782 Product Identification System.....	183

TO OUR VALUED CUSTOMERS

It is our intention to provide our valued customers with the best documentation possible to ensure successful use of your Microchip products. To this end, we will continue to improve our publications to better suit your needs. Our publications will be refined and enhanced as new volumes and updates are introduced.

If you have any questions or comments regarding this publication, please contact the Marketing Communications Department via E-mail at docerrors@mail.microchip.com or fax the **Reader Response Form** in the back of this data sheet to (480) 792-4150. We welcome your feedback.

Most Current Data Sheet

To obtain the most up-to-date version of this data sheet, please register at our Worldwide Web site at:

<http://www.microchip.com>

You can determine the version of a data sheet by examining its literature number found on the bottom outside corner of any page. The last character of the literature number is the version number, (e.g., DS30000A is version A of document DS30000).

Errata

An errata sheet, describing minor operational differences from the data sheet and recommended workarounds, may exist for current devices. As device/documentation issues become known to us, we will publish an errata sheet. The errata will specify the revision of silicon and revision of document to which it applies.

To determine if an errata sheet exists for a particular device, please check with one of the following:

- Microchip's Worldwide Web site; <http://www.microchip.com>
- Your local Microchip sales office (see last page)
- The Microchip Corporate Literature Center; U.S. FAX: (480) 792-7277

When contacting a sales office or the literature center, please specify which device, revision of silicon and data sheet (include literature number) you are using.

Customer Notification System

Register on our web site at www.microchip.com/cn to receive the most current information on all of our products.

PIC16C781/782

NOTES:

1.0 DEVICE OVERVIEW

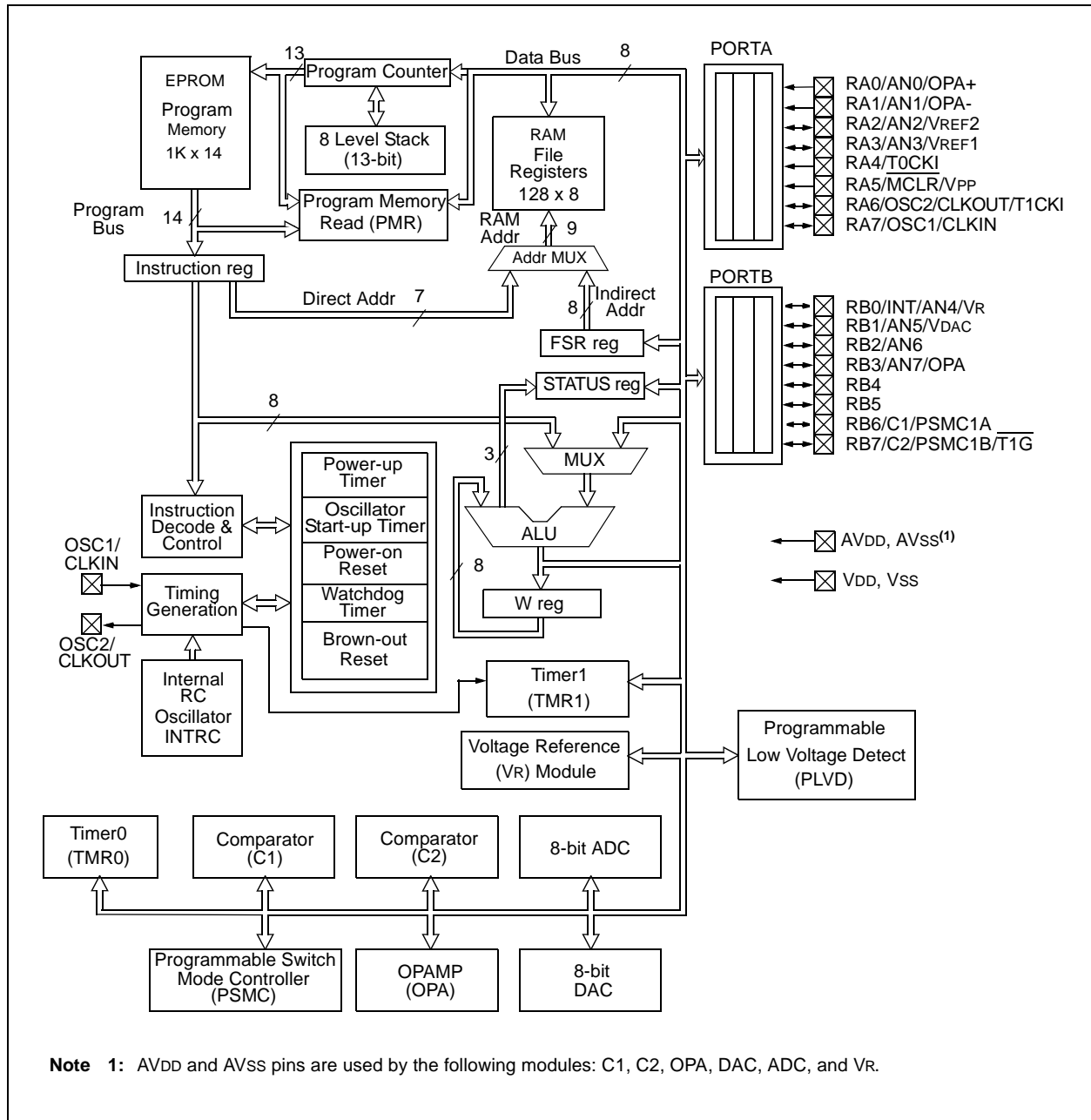
This document contains device-specific information. Additional information may be found in the PICmicro™ Mid-Range Reference Manual (DS33023), which may be obtained from your local Microchip Sales Representative or downloaded from the Microchip website. The Reference manual should be considered a complementary document to this data sheet. The Reference

manual is highly recommended reading for a better understanding of the device architecture and operation of the peripheral modules.

This data sheet covers two devices: PIC16C781 and PIC16C782. Both devices come in a variety of 20-pin packages.

The following figures are block diagrams of the PIC16C781 and the PIC16C782.

FIGURE 1-1: PIC16C781 BLOCK DIAGRAM



PIC16C781/782

FIGURE 1-2: PIC16C782 BLOCK DIAGRAM

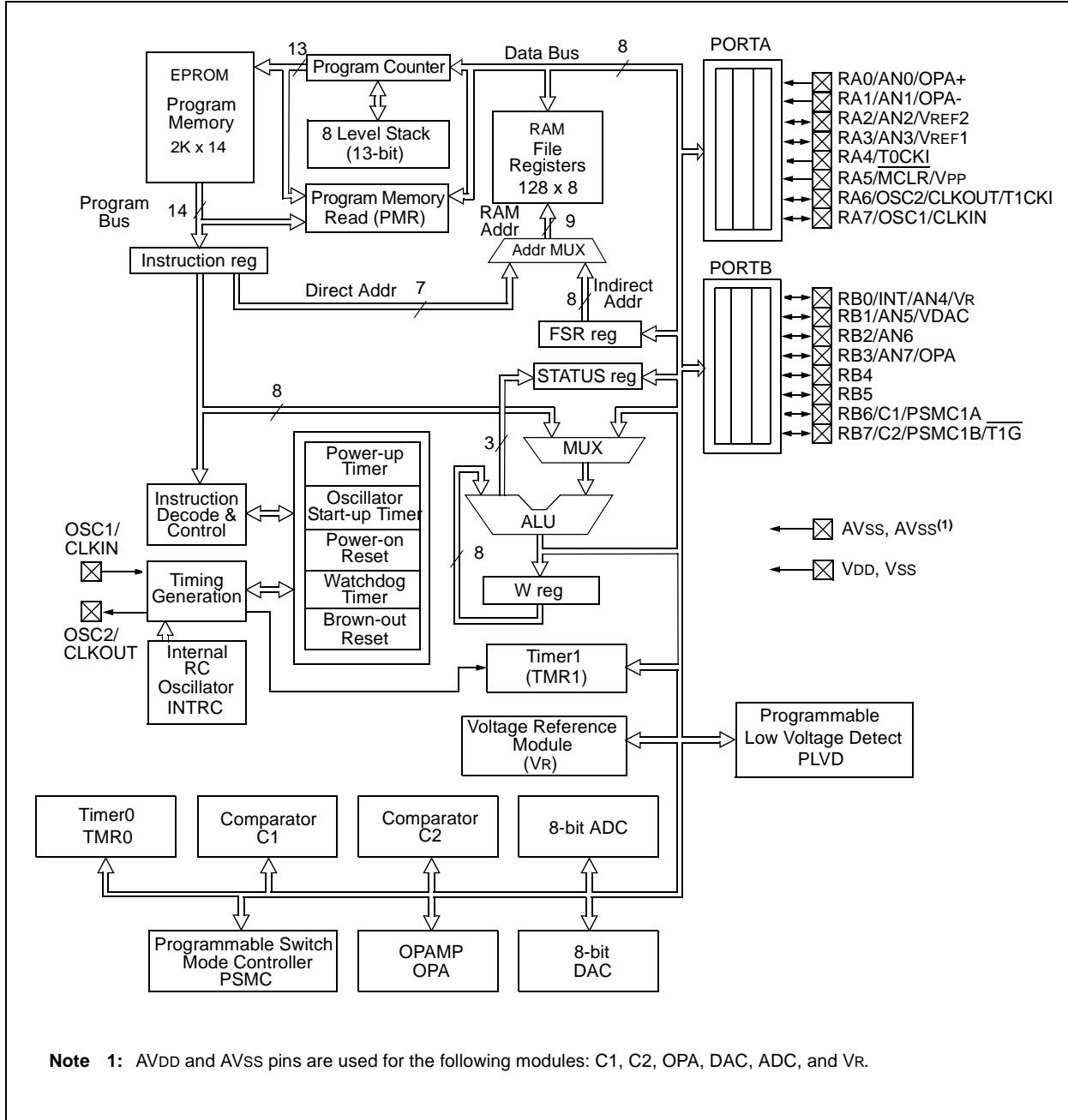
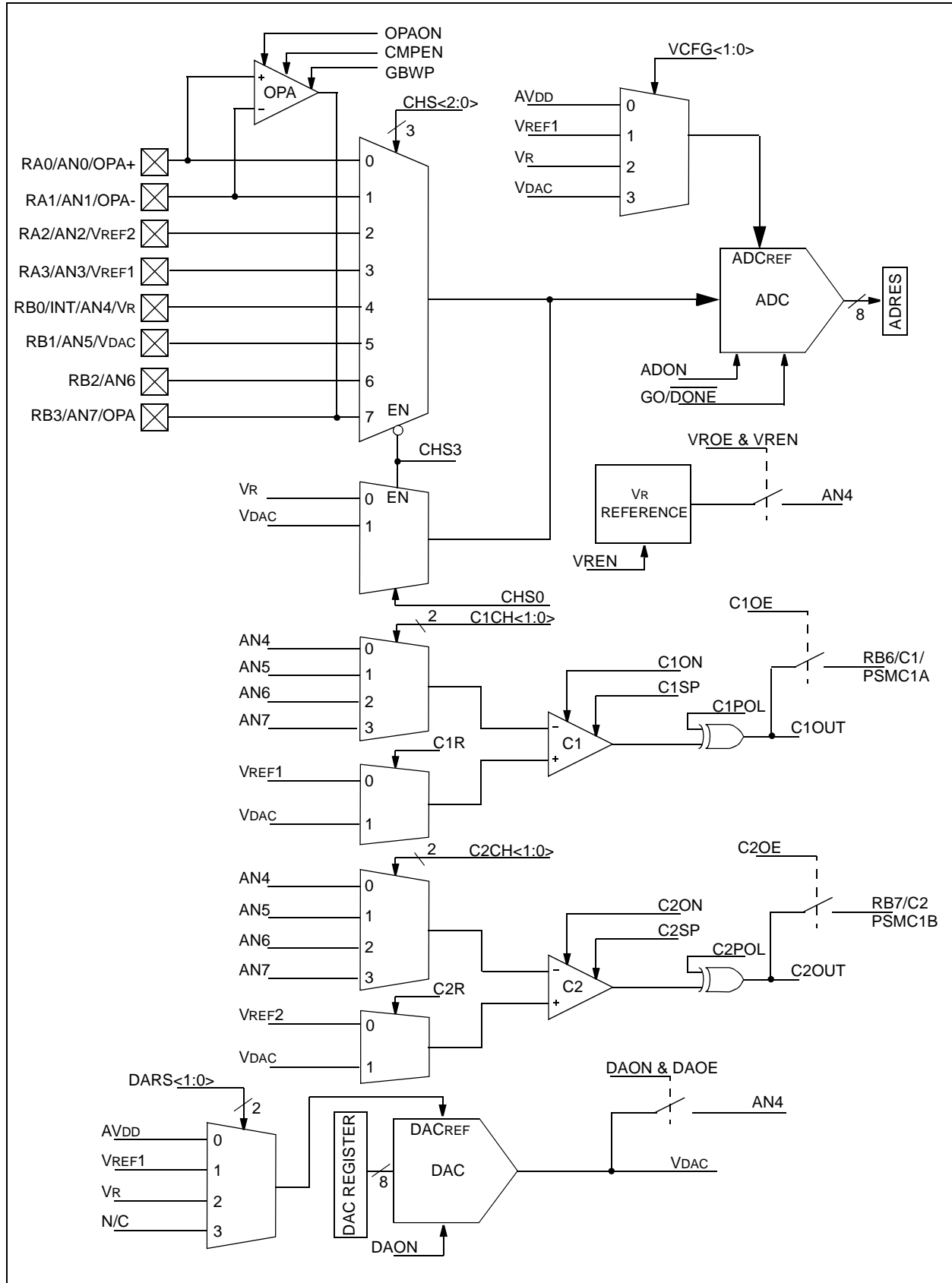


FIGURE 1-3: ANALOG SIGNAL MULTIPLEXING DIAGRAM



PIC16C781/782

TABLE 1-1: PIC16C781/782 PINOUT DESCRIPTION

Name	Function	Input Type	Output Type	Description
RA0/AN0/OPA+	RA0	ST	N/A	Port Input
	AN0	AN	—	ADC Input
	OPA+	AN	—	OPAMP Non-inverting Input
RA1/AN1/OPA-	RA1	ST	N/A	Port Input
	AN1	AN	—	ADC Input
	OPA-	AN	—	OPAMP Inverting Input
RA2/AN2/VREF2	RA2	ST	CMOS	Bi-directional I/O
	AN2	AN	—	ADC Input
	VREF2	AN	—	Comparator 2 Voltage Reference Input
RA3/AN3/VREF1	RA3	ST	CMOS	Bi-directional I/O
	AN3	AN	—	ADC Input
	VREF1	AN	—	Comparator 1, ADC, DACREF Input
RA4/T0CKI	RA4	ST	OD	Bi-directional I/O
	TOCKI	ST	—	Timer0 Clock Input
RA5/MCLR/VPP	RA5	ST	N/A	Port Input
	MCLR	ST	—	Master Clear Input
	VPP	Power	—	Programming Voltage
RA6/OSC2/CLKOUT/T1CKI	RA6	ST	CMOS	Bi-directional I/O
	OSC2	—	XTAL	Crystal/Resonator
	CLKOUT	—	CMOS	Fosc/4 Output
	T1CKI	ST	—	Timer1 Clock Input
RA7/OSC1/CLKIN	RA7	ST	CMOS	Bi-directional I/O
	OSC1	XTAL	—	Crystal/Resonator
	CLKIN	ST	—	External Clock Input
RB0/INT/AN4/VR	RB0	TTL	CMOS	Bi-directional I/O
	INT	ST	—	External Interrupt
	AN4	AN	—	ADC, Comparator Input
	VR	—	AN	Internal Voltage Reference Output
RB1/AN5/VDAC	RB1	TTL	CMOS	Bi-directional I/O
	AN5	AN	—	ADC, Comparator Input
	VDAC	—	AN	DAC Output
RB2/AN6	RB2	TTL	CMOS	Bi-directional I/O
	AN6	AN	—	ADC, Comparator Input
RB3/AN7/OPA	RB3	TTL	CMOS	Bi-directional I/O
	AN7	AN	—	ADC, Comparator Input
	OPA	—	AN	OPAMP Output
RB4	RB4	TTL	CMOS	Bi-directional I/O
RB5	RB5	TTL	CMOS	Bi-directional I/O
RB6/C1/PSMC1A	RB6	TTL	CMOS	Bi-directional I/O
	C1	—	CMOS	Comparator 1 Output
	PSMC1A	—	CMOS	PSMC Output 1A

TABLE 1-1: PIC16C781/782 PINOUT DESCRIPTION (CONTINUED)

Name	Function	Input Type	Output Type	Description
RB7/C2/PSMC1B/ $\overline{T1G}$	RB7	TTL	CMOS	Bi-directional I/O
	C2	—	CMOS	Comparator 2 Output
	PSMC1B	—	CMOS	PSMC Output 1B
	$\overline{T1G}$	ST	—	Timer 1 Gate Input
AVDD	AVDD	Power	—	Positive Supply for Analog
AVSS	AVSS	Power	—	Ground Reference for Analog
VDD	VDD	Power	—	Positive Supply for Logic and I/O pins
VSS	VSS	Power	—	Ground Reference for Logic and I/O pins

Legend: ST = Schmitt Trigger
XTAL = Crystal

AN = Analog
CMOS = CMOS Output

OD = open drain
Power = Power Supply
TTL = Logic Level

PIC16C781/782

NOTES:

2.0 MEMORY ORGANIZATION

There are two memory blocks in each of these PICmicro® microcontrollers. Each block (program and data memory) has its own bus, so that concurrent access can occur.

Additional information on device memory may be found in the PICmicro™ Mid-Range Reference Manual, (DS33023).

2.1 Program Memory Organization

The PIC16C781/782 devices have a 13-bit program counter capable of addressing an 8K x 14 program memory space. The PIC16C781 has 1K x 14 words of program memory. The PIC16C782 has 2K x 14 words of program memory. Accessing a location above the physically implemented address causes a wraparound.

The RESET vector is at 0000h and the interrupt vector is at 0004h.

FIGURE 2-1: PIC16C781 PROGRAM MEMORY MAP AND STACK

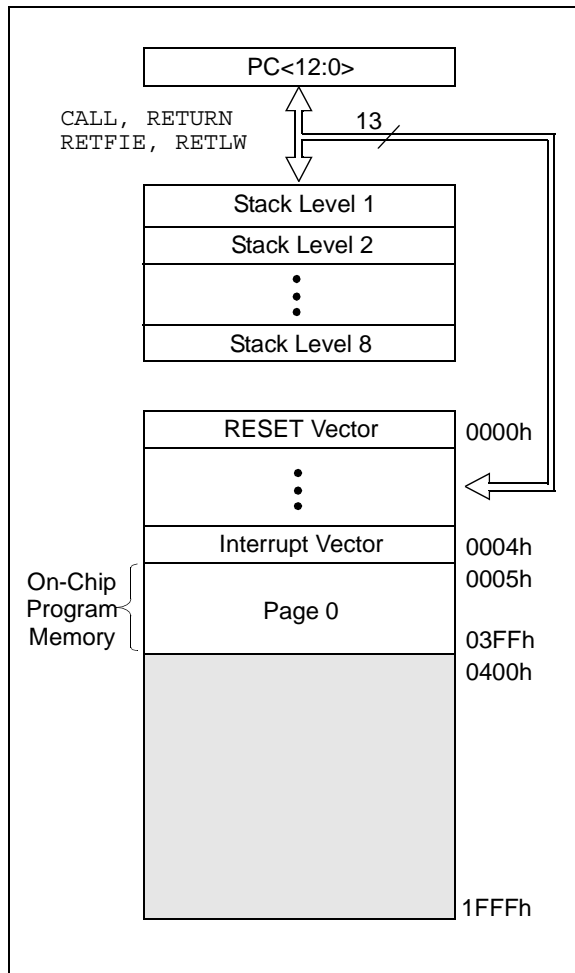
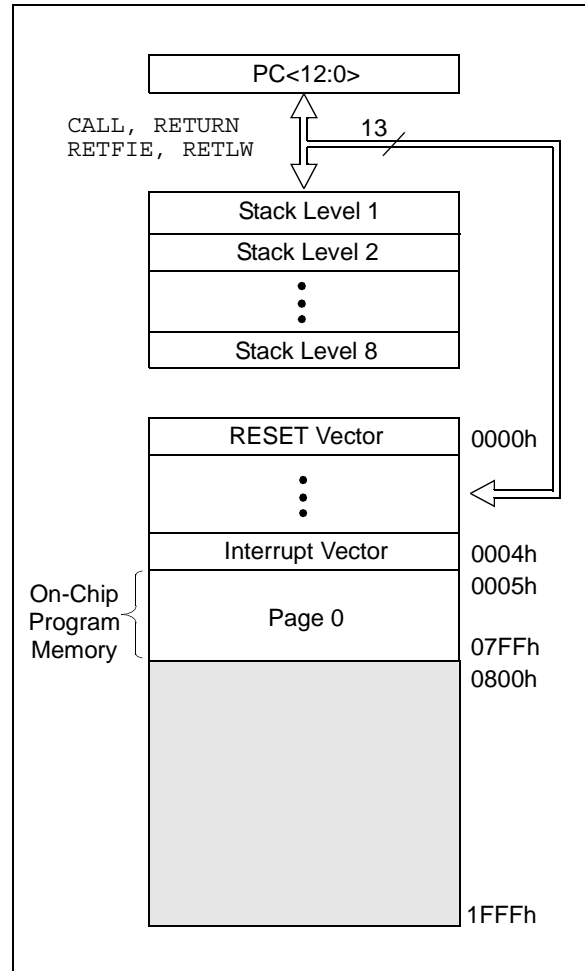


FIGURE 2-2: PIC16C782 PROGRAM MEMORY MAP AND STACK



2.2 Data Memory Organization

The data memory is partitioned into multiple banks, which contain the General Purpose Registers and the Special Function Registers. Bits RP0 and RP1 are bank select bits.

RP1 RP0 (STATUS<6:5>)

- = 00 → Bank0
- = 01 → Bank1
- = 10 → Bank2
- = 11 → Bank3

Each bank extends up to 7Fh (128 bytes). The lower locations of each bank are reserved for the Special Function Registers. Above the Special Function Registers are the General Purpose Registers, implemented as static RAM. All implemented banks contain Special Function Registers. Some frequently used Special Function Registers from one bank are mirrored in another bank for code reduction and quicker access.

PIC16C781/782

FIGURE 2-3: REGISTER FILE MAP

File Address		File Address		File Address		File Address	
Indirect addr. ^(*)	00h	Indirect addr. ^(*)	80h	Indirect addr. ^(*)	100h	Indirect addr. ^(*)	180h
TMR0	01h	OPTION_REG	81h	TMR0	101h	OPTION_REG	181h
PCL	02h	PCL	82h	PCL	102h	PCL	182h
STATUS	03h	STATUS	83h	STATUS	103h	STATUS	183h
FSR	04h	FSR	84h	FSR	104h	FSR	184h
PORTA	05h	TRISA	85h		105h		185h
PORTB	06h	TRISB	86h	PORTB	106h	TRISB	186h
	07h		87h		107h		187h
	08h		88h		108h		188h
	09h		89h		109h		189h
PCLATH	0Ah	PCLATH	8Ah	PCLATH	10Ah	PCLATH	18Ah
INTCON	0Bh	INTCON	8Bh	INTCON	10Bh	INTCON	18Bh
PIR1	0Ch	PIE1	8Ch	PMDATL	10Ch	PMCON1	18Ch
	0Dh		8Dh	PMADRL	10Dh		18Dh
TMR1L	0Eh	PCON	8Eh	PMDATH	10Eh		18Eh
TMR1H	0Fh		8Fh	PMADRH	10Fh		18Fh
T1CON	10h		90h	CALCON	110h		190h
	11h		91h	PSMCCON0	111h		191h
	12h		92h	PSMCCON1	112h		192h
	13h		93h		113h		193h
	14h		94h		114h		194h
	15h	WPUB	95h		115h		195h
	16h	IOCB	96h		116h		196h
	17h		97h		117h		197h
	18h		98h		118h		198h
	19h		99h	CM1CON0	119h		199h
	1Ah		9Ah	CM2CON0	11Ah		19Ah
	1Bh	REFCON	9Bh	CM2CON1	11Bh		19Bh
	1Ch	LVDCON	9Ch	OPACON	11Ch		19Ch
	1Dh	ANSEL	9Dh		11Dh		19Dh
ADRES	1Eh		9Eh	DAC	11Eh		19Eh
ADCON0	1Fh	ADCON1	9Fh	DACON0	11Fh		19Fh
	20h	General Purpose Register 32 Bytes	A0h		120h		1A0h
General Purpose Register 96 Bytes			BFh				
			EFh				
		accesses 70h-7Fh	F0h	accesses 70h-7Fh	170h	accesses 70h-7Fh	1F0h
			FFh		17Fh		1FFh
Bank 0		Bank 1		Bank 2		Bank 3	

Unimplemented data memory locations, read as '0'.

* Not a physical register.

PIC16C781/782

2.2.1 GENERAL PURPOSE REGISTER FILE

The register file can be accessed either directly, or indirectly, through the File Select Register (FSR).

2.2.2 SPECIAL FUNCTION REGISTERS

The Special Function Registers are registers used by the CPU and Peripheral Modules for controlling the desired operation of the device. These registers are implemented as static RAM. A list of these registers is given in Table 2-1.

TABLE 2-1: PIC16C781/782 SPECIAL FUNCTION REGISTER SUMMARY

Address	Name	Bit 7	Bit 6	Bit 5	Bit 4	Bit 3	Bit 2	Bit 1	Bit 0	Value on: POR, BOR	Details on Page:
Bank 0											
00h ⁽²⁾	INDF	Addressing this location uses contents of FSR to address data memory (not a physical register)								0000 0000	23
01h	TMR0	Timer0 Module's Register								xxxx xxxx	51
02h ⁽²⁾	PCL	Program Counter's (PC) Least Significant Byte								0000 0000	23
03h ⁽²⁾	STATUS	IRP	RP1	RP0	\overline{TO}	\overline{PD}	Z	DC	C	0001 1xxx	17
04h ⁽²⁾	FSR	Indirect Data Memory Address Pointer								xxxx xxxx	23
05h	PORTA	RA7	RA6	RA5	RA4	RA3	RA2	RA1	RA0	xxxx 0000	26
06h	PORTB	RB7	RB6	RB5	RB4	RB3	RB2	RB1	RB0	xxxx 0000	35
07h	—	Unimplemented								—	—
08h	—	Unimplemented								—	—
09h	—	Unimplemented								—	—
0Ah ^(1, 2)	PCLATH	—	—	—	Write Buffer for the upper 5 bits of the Program Counter				---0 0000	23	
0Bh ⁽²⁾	INTCON	GIE	PEIE	TOIE	INTE	RBIE	TOIF	INTF	RBIF	0000 000x	19
0Ch	PIR1	LVDIF	ADIF	C2IF	C1IF	—	—	—	TMR1IF	0000 ---0	21
0Dh	—	Unimplemented								—	—
0Eh	TMR1L	Holding register for the Least Significant Byte of the 16-bit TMR1 Register								xxxx xxxx	55
0Fh	TMR1H	Holding register for the Most Significant Byte of the 16-bit TMR1 Register								xxxx xxxx	55
10h	T1CON	—	TMR1GE	T1CKPS1	T1CKPS0	T1OSCEN	$\overline{T1SYNC}$	TMR1CS	TMR1ON	-000 0000	57
11h	—	Unimplemented								—	—
12h	—	Unimplemented								—	—
13h	—	Unimplemented								—	—
14h	—	Unimplemented								—	—
15h	—	Unimplemented								—	—
16h	—	Unimplemented								—	—
17h	—	Unimplemented								—	—
18h	—	Unimplemented								—	—
19h	—	Unimplemented								—	—
1Ah	—	Unimplemented								—	—
1Bh	—	Unimplemented								—	—
1Ch	—	Unimplemented								—	—
1Dh	—	Unimplemented								—	—
1Eh	ADRES	ADC Result Register								xxxx xxxx	71
1Fh	ADCON0	ADCS1	ADCS0	CHS2	CHS1	CHS0	GO/DONE	CHS3	ADON	0000 0000	70

Legend: x = unknown, u = unchanged, c = value depends on condition, - = unimplemented, read as '0'.
Shaded locations are unimplemented, read as '0'.

Note 1: The upper byte of the program counter is not directly accessible. PCLATH is a holding register for the PC<12:8> whose contents are transferred to the upper byte of the program counter. See Section 2.9 for more detail.

2: These registers can be addressed from any bank.

PIC16C781/782

TABLE 2-1: PIC16C781/782 SPECIAL FUNCTION REGISTER SUMMARY (CONTINUED)

Address	Name	Bit 7	Bit 6	Bit 5	Bit 4	Bit 3	Bit 2	Bit 1	Bit 0	Value on: POR, BOR	Details on Page:
Bank 1											
80h ⁽²⁾	INDF	Addressing this location uses contents of FSR to address data memory (not a physical register)								0000 0000	23
81h	OPTION_REG	$\overline{\text{RBPU}}$	INTEDG	T0CS	T0SE	PSA	PS2	PS1	PS0	1111 1111	18
82h ⁽²⁾	PCL	Program Counter's (PC) Least Significant Byte								0000 0000	23
83h ⁽²⁾	STATUS	IRP	RP1	RP0	$\overline{\text{TO}}$	$\overline{\text{PD}}$	Z	DC	C	0001 1xxx	17
84h ⁽²⁾	FSR	Indirect Data Memory Address Pointer								xxxx xxxx	23
85h	TRISA	PORTA Data Direction Register								1111 1111	26
86h	TRISB	PORTB Data Direction Register								1111 1111	35
87h	—	Unimplemented								—	—
88h	—	Unimplemented								—	—
89h	—	Unimplemented								—	—
8Ah ^(1,2)	PCLATH	—	—	—	Write Buffer for the upper 5 bits of the Program Counter				---0 0000	23	
8Bh ⁽²⁾	INTCON	GIE	PEIE	T0IE	INTE	RBIE	T0IF	INTF	RBIF	0000 000x	19
8Ch	PIE1	LVDIE	ADIE	C2IE	C1IE	—	—	—	TMR1IE	0000 ---0	20
8Dh	—	Unimplemented								—	—
8Eh	PCON	—	—	—	WDTON	OSCF	—	$\overline{\text{POR}}$	$\overline{\text{BOR}}$	---q 1-qq	22, 120
8Fh	—	Unimplemented								—	—
90h	—	Unimplemented								—	—
91h	—	Unimplemented								—	—
92h	—	Unimplemented								—	—
93h	—	Unimplemented								—	—
94h	—	Unimplemented								—	—
95h	WPUB	PORTB Weak Pull-up Control								1111 1111	36
96h	IOCB	PORTB Interrupt-on-Change Control								1111 0000	36
97h	—	Unimplemented								—	—
98h	—	Unimplemented								—	—
99h	—	Unimplemented								—	—
9Ah	—	Unimplemented								—	—
9Bh	REFCON	—	—	—	—	VREN	VROE	—	—	---- 00--	61
9Ch	LVDCON	—	—	BGST	LVDEN	LV3	LV2	LV1	LV0	--00 0101	66
9Dh	ANSEL	Analog Channel Select								1111 1111	25
9Eh	—	Unimplemented								—	—
9Fh	ADCON1	—	—	VCFG1	VCFG0	—	—	—	—	--00 ----	71

Legend: x = unknown, u = unchanged, q = value depends on condition, - = unimplemented, read as '0'.
Shaded locations are unimplemented, read as '0'.

- Note 1:** The upper byte of the program counter is not directly accessible. PCLATH is a holding register for the PC<12:8> whose contents are transferred to the upper byte of the program counter. See Section 2.9 for more detail.
2: These registers can be addressed from any bank.

PIC16C781/782

TABLE 2-1: PIC16C781/782 SPECIAL FUNCTION REGISTER SUMMARY (CONTINUED)

Address	Name	Bit 7	Bit 6	Bit 5	Bit 4	Bit 3	Bit 2	Bit 1	Bit 0	Value on: POR, BOR	Details on Page:
Bank 2											
100h ⁽²⁾	INDF	Addressing this location uses contents of FSR to address data memory (not a physical register)								0000 0000	23
101h	TMR0	Timer0 Module's Register								xxxx xxxx	51
102h ⁽²⁾	PCL	Program Counter's (PC) Least Significant Byte								0000 0000	23
103h ⁽²⁾	STATUS	IRP	RP1	RP0	\overline{TO}	\overline{PD}	Z	DC	C	0001 1xxx	17
104h ⁽²⁾	FSR	Indirect Data Memory Address Pointer								xxxx xxxx	23
105h	—	Unimplemented								—	—
106h	PORTB	RB7	RB6	RB5	RB4	RB3	RB2	RB1	RB0	xxxx 0000	35
107h	—	Unimplemented								—	—
108h	—	Unimplemented								—	—
109h	—	Unimplemented								—	—
10Ah ^(1,2)	PCLATH	—	—	—	Write Buffer for the upper 5 bits of the Program Counter				---	0 0000	23
10Bh ⁽²⁾	INTCON	GIE	PEIE	TOIE	INTE	RBIE	TOIF	INTF	RBIF	0000 000x	19
10Ch	PMDATL	PMD7	PMD6	PMD5	PMD4	PMD3	PMD2	PMD1	PMD0	0000 0000	48
10Dh	PMADRL	PMA7	PMA6	PMA5	PMA4	PMA3	PMA2	PMA1	PMA0	xxxx xxxx	48
10Eh	PMDATH	—	—	PMD13	PMD12	PMD11	PMD10	PMD9	PMD8	--00 0000	47
10Fh	PMADRH	—	—	—	Reserved	Reserved	PMA10	PMA9	PMA8	--x xxxx	48
110h	CALCON	CAL	CALERR	CALREF	—	—	—	—	—	000- ----	85
111h	PSMCCON0	SMCCL1	SMCCL0	MINDC1	MINDC0	MAXDC1	MAXDC0	DC1	DC0	0000 0000	104
112h	PSMCCON1	SMCON	S1APOL	S1BPOL	—	SCEN	SMCOM	PWM/PSM	SMCCS	000- 0000	104
113h	—	Unimplemented								—	—
114h	—	Unimplemented								—	—
115h	—	Unimplemented								—	—
116h	—	Unimplemented								—	—
117h	—	Unimplemented								—	—
118h	—	Unimplemented								—	—
119h	CM1CON0	C1ON	C1OUT	C1OE	C1POL	C1SP	C1R	C1CH1	C1CH0	0000 0000	91
11Ah	CM2CON0	C2ON	C2OUT	C2OE	C2POL	C2SP	C2R	C2CH1	C2CH0	0000 0000	93
11Bh	CM2CON1	MC1OUT	MC2OUT	—	—	—	—	—	C2SYNC	00-- ---0	94
11Ch	OPACON	OPAON	CMPEN	—	—	—	—	—	GBWP	00-- ---0	84
11Dh	—	Unimplemented								—	—
11Eh	DAC	DA7	DA6	DA5	DA4	DA3	DA2	DA1	DA0	0000 0000	79
11Fh	DACON0	DAON	DAOE	—	—	—	—	DARS1	DARS0	00-- ---0	79

Legend: x = unknown, u = unchanged, c = value depends on condition, - = unimplemented, read as '0'.
Shaded locations are unimplemented, read as '0'.

- Note 1:** The upper byte of the program counter is not directly accessible. PCLATH is a holding register for the PC<12:8> whose contents are transferred to the upper byte of the program counter. See Section 2.9 for more detail.
- Note 2:** These registers can be addressed from any bank.

PIC16C781/782

TABLE 2-1: PIC16C781/782 SPECIAL FUNCTION REGISTER SUMMARY (CONTINUED)

Address	Name	Bit 7	Bit 6	Bit 5	Bit 4	Bit 3	Bit 2	Bit 1	Bit 0	Value on: POR, BOR	Details on Page:
Bank 3											
180h ⁽²⁾	INDF	Addressing this location uses contents of FSR to address data memory (not a physical register)								0000 0000	23
181h	OPTION_REG	$\overline{\text{RBPU}}$	INTEDG	T0CS	T0SE	PSA	PS2	PS1	PS0	1111 1111	18
182h ⁽²⁾	PCL	Program Counter's (PC) Least Significant Byte								0000 0000	23
183h ⁽²⁾	STATUS	IRP	RP1	RP0	$\overline{\text{TO}}$	$\overline{\text{PD}}$	Z	DC	C	0001 1xxx	17
184h ⁽²⁾	FSR	Indirect Data Memory Address Pointer								xxxx xxxx	23
185h	—	Unimplemented								—	—
186h	TRISB	PORTB Data Direction Register								1111 1111	35
187h	—	Unimplemented								—	—
188h	—	Unimplemented								—	—
189h	—	Unimplemented								—	—
18Ah ^(1,2)	PCLATH	—	—	—	Write Buffer for the upper 5 bits of the Program Counter				---0 0000	23	
18Bh ⁽²⁾	INTCON	GIE	PEIE	TOIE	INTE	RBIE	TOIF	INTF	RBIF	0000 000x	19
18Ch	PMCON1	Reserved	—	—	—	—	—	—	RD	1--- ---0	47
18Dh	—	Unimplemented								—	—
18Eh	—	Unimplemented								—	—
18Fh	—	Unimplemented								—	—
190h	—	Unimplemented								—	—
191h	—	Unimplemented								—	—
192h	—	Unimplemented								—	—
193h	—	Unimplemented								—	—
194h	—	Unimplemented								—	—
195h	—	Unimplemented								—	—
196h	—	Unimplemented								—	—
197h	—	Unimplemented								—	—
198h	—	Unimplemented								—	—
199h	—	Unimplemented								—	—
19Ah	—	Unimplemented								—	—
19Bh	—	Unimplemented								—	—
19Ch	—	Unimplemented								—	—
19Dh	—	Unimplemented								—	—
19Eh	—	Unimplemented								—	—
19Fh	—	Unimplemented								—	—

Legend: x = unknown, u = unchanged, □ = value depends on condition, - = unimplemented, read as '0'.
Shaded locations are unimplemented, read as '0'.

- Note 1:** The upper byte of the program counter is not directly accessible. PCLATH is a holding register for the PC<12:8> whose contents are transferred to the upper byte of the program counter. See Section 2.9 for more detail.
- 2:** These registers can be addressed from any bank.

2.3 STATUS Register

The STATUS register, shown in Register 2-1, contains the arithmetic status of the ALU, the RESET status and the bank select bits for data memory.

The STATUS register can be the destination for any instruction, as with any other register. If the STATUS register is the destination for an instruction that affects the Z, DC, or C bits, the write to these three bits is disabled. These bits are set or cleared according to the device logic. The $\overline{\text{TO}}$ and $\overline{\text{PD}}$ bits are not writable. Therefore, the result of an instruction with the STATUS register as the destination may be different than intended.

For example, `CLRF STATUS` clears the upper three bits and sets the Z bit. This leaves the STATUS register as `000u u1uu` (where u = unchanged).

It is recommended, therefore, that only `BCF`, `BSF`, `SWAPF` and `MOVWF` instructions are used to alter the STATUS register, since these instructions do not affect the Z, C, or DC bits from the STATUS register. For other instructions not affecting any status bits, see the "Instruction Set Summary."

Note: The $\overline{\text{C}}$ and $\overline{\text{DC}}$ bits operate as a borrow and digit borrow bit, respectively, in subtraction. See the `SUBLW` and `SUBWF` instructions for examples.

REGISTER 2-1: STATUS REGISTER (STATUS: 03h, 83h, 103h, 183h)

	R/W-0	R/W-0	R/W-0	R-1	R-1	R/W-x	R/W-x	R/W-x
	IRP	RP1	RP0	$\overline{\text{TO}}$	$\overline{\text{PD}}$	Z	DC	C
bit7								bit0

- bit 7 **IRP:** Register Bank Select bit (used for indirect addressing)
 1 = Bank 2, 3 (100h - 1FFh)
 0 = Bank 0, 1 (00h - FFh)
- bit 6-5 **RP<1:0>:** Register Bank Select bits (used for direct addressing)
 11 = Bank 3 (180h - 1FFh)
 10 = Bank 2 (100h - 17Fh)
 01 = Bank 1 (80h - FFh)
 00 = Bank 0 (00h - 7Fh)
 Each bank is 128 bytes
- bit 4 **$\overline{\text{TO}}$:** Time-out bit
 1 = After power-up, `CLRWDT` instruction, or `SLEEP` instruction
 0 = A WDT time-out occurred
- bit 3 **$\overline{\text{PD}}$:** Power-down bit
 1 = After power-up or by the `CLRWDT` instruction
 0 = By execution of the `SLEEP` instruction
- bit 2 **Z:** Zero bit
 1 = The result of an arithmetic or logic operation is zero
 0 = The result of an arithmetic or logic operation is not zero
- bit 1 **DC:** Digit carry/borrow bit (`ADDWF`, `ADDLW`, `SUBLW`, `SUBWF` instructions) (for borrow, the polarity is reversed)
 1 = A carry-out from the 4th low order bit of the result occurred
 0 = No carry-out from the 4th low order bit of the result
- bit 0 **C:** Carry/borrow bit (`ADDWF`, `ADDLW`, `SUBLW`, `SUBWF` instructions)
 1 = A carry-out from the Most Significant bit of the result occurred
 0 = No carry-out from the Most Significant bit of the result occurred

Note: For borrow, the polarity is reversed. A subtraction is executed by adding the two's complement of the second operand. For rotate (`RRF`, `RLF`) instructions, this bit is loaded with either the high or low order bit of the source register.

Legend:

R = Readable bit	W = Writable bit	U = Unimplemented bit, read as '0'
- n = Value at POR	'1' = Bit is set	'0' = Bit is cleared x = Bit is unknown

PIC16C781/782

2.4 OPTION_REG Register

The OPTION_REG register is a readable and writable register which contains various control bits to configure:

- TMR0 prescaler/WDT postscaler (single assignable register known also as the prescaler)
- External INT interrupt
- TMR0
- Weak pull-ups on PORTB

Note: To achieve a 1:1 prescaler assignment for the TMR0 register, assign the prescaler to the Watchdog Timer.

REGISTER 2-2: OPTION REGISTER (OPTION_REG: 81h, 181h)

R/W-1	R/W-1	R/W-1	R/W-1	R/W-1	R/W-1	R/W-1	R/W-1
RBPU	INTEDG	T0CS	T0SE	PSA	PS2	PS1	PS0
bit7							bit0

- bit 7 **RBPU:** PORTB Pull-up Enable bit⁽¹⁾
 1 = PORTB weak pull-ups are disabled
 0 = PORTB weak pull-ups are enabled by the WPUB register
- bit 6 **INTEDG:** Interrupt Edge Select bit
 1 = Interrupt on rising edge of RB0/INT pin
 0 = Interrupt on falling edge of RB0/INT pin
- bit 5 **T0CS:** TMR0 Clock Source Select bit
 1 = Transition on RA4/T0CKI pin
 0 = Internal instruction cycle clock (Fosc/4)
- bit 4 **T0SE:** TMR0 Source Edge Select bit
 1 = Increment on high-to-low transition on RA4/T0CKI pin
 0 = Increment on low-to-high transition on RA4/T0CKI pin
- bit 3 **PSA:** Prescaler Assignment bit
 1 = Prescaler is assigned to the WDT
 0 = Prescaler is assigned to the Timer0 module
- bit 2-0 **PS<2:0>:** Prescaler Rate Select bits

Bit Value	TMR0 Rate	WDT Rate
000	1 : 2	1 : 1
001	1 : 4	1 : 2
010	1 : 8	1 : 4
011	1 : 16	1 : 8
100	1 : 32	1 : 16
101	1 : 64	1 : 32
110	1 : 128	1 : 64
111	1 : 256	1 : 128

Note 1: Individual weak pull-ups on RB pins can be enabled/disabled from the weak pull-up PORTB register (WPUB).

Legend:

R = Readable bit	W = Writable bit	U = Unimplemented bit, read as '0'
- n = Value at POR	'1' = Bit is set	'0' = Bit is cleared x = Bit is unknown

2.5 INTCON Register

The INTCON register is a readable and writable register which contains:

- Enable and interrupt flag bits for TMR0 register overflow
- Enable and interrupt flag bits for the external interrupt (INT)
- Enable and interrupt flag bits for PORTB Interrupt-on-Change (IOCB)
- Peripheral interrupt enable bit
- Global interrupt enable bit

Note: Interrupt flag bits are set when an interrupt condition occurs, regardless of the state of its corresponding enable bit, or the global enable bit, GIE (INTCON<7>). User software should ensure the appropriate interrupt flag bits are clear prior to enabling an interrupt.

REGISTER 2-3: INTERRUPT CONTROL REGISTER (INTCON: 0Bh, 8Bh, 10Bh, 18Bh)

	R/W-0	R/W-0	R/W-0	R/W-0	R/W-0	R/W-0	R/W-0	R/W-x
	GIE	PEIE	TO1E	INTE	RBIE	TOIF	INTF	RBIF
	bit 7							bit 0
bit 7	GIE: Global Interrupt Enable bit 1 = Enables all unmasked interrupts 0 = Disables all interrupts							
bit 6	PEIE: Peripheral Interrupt Enable bit 1 = Enables all unmasked peripheral interrupts 0 = Disables all peripheral interrupts							
bit 5	TOIE: TMR0 Overflow Interrupt Enable bit 1 = Enables the TMR0 interrupt 0 = Disables the TMR0 interrupt							
bit 4	INTE: RB0/INT External Interrupt Enable bit 1 = Enables the RB0/INT external interrupt 0 = Disables the RB0/INT external interrupt							
bit 3	RBIE: RB Port Change Interrupt Enable bit ⁽¹⁾ 1 = Enables the RB port change interrupt 0 = Disables the RB port change interrupt							
bit 2	TOIF: TMR0 Overflow Interrupt Flag bit 1 = TMR0 register has overflowed (must be cleared in software) 0 = TMR0 register did not overflow							
bit 1	INTF: RB0/INT External Interrupt Flag bit 1 = The RB0/INT external interrupt occurred (must be cleared in software) 0 = The RB0/INT external interrupt did not occur							
bit 0	RBIF: RB Port Change Interrupt Flag bit ⁽¹⁾ 1 = When at least one of the RB7:RB0 pins changed state (must be cleared in software) 0 = None of the RB7:RB0 pins have changed state							

Note 1: Individual RB pin interrupt-on-change can be enabled/disabled from the Interrupt-on-Change PORTB register (IOCB).

Legend:

R = Readable bit	W = Writable bit	U = Unimplemented bit, read as '0'
- n = Value at POR	'1' = Bit is set	'0' = Bit is cleared x = Bit is unknown

PIC16C781/782

2.6 PIE1 Register

The PIE1 register contains the individual enable bits for the peripheral interrupts.

Note: Bit PEIE (INTCON<6>) must be set to enable any peripheral interrupt (see Register 2-3).

REGISTER 2-4: PERIPHERAL INTERRUPT ENABLE REGISTER (PIE1: 8Ch)

R/W-0	R/W-0	R/W-0	R/W-0	U-0	U-0	U-0	R/W-0
LVDIE	ADIE	C2IE	C1IE	—	—	—	TMR1IE
bit7				bit0			

- bit 7 **LVDIE:** Low Voltage Detect Interrupt Enable bit
1 = LVD interrupt is enabled
0 = LVD interrupt is disabled
- bit 6 **ADIE:** Analog-to-Digital Converter Interrupt Enable bit
1 = Enables the Analog-to-Digital Converter interrupt
0 = Disables the Analog-to-Digital Converter interrupt
- bit 5 **C2IE:** Comparator C2 Interrupt Enable bit
1 = Enables the Comparator C2 interrupt
0 = Disables the Comparator C2 interrupt
- bit 4 **C1IE:** Comparator C1 Interrupt Enable bit
1 = Enables the Comparator C1 interrupt
0 = Disables the Comparator C1 interrupt
- bit 3-1 **Unimplemented:** Read as '0'
- bit 0 **TMR1IE:** TMR1 Overflow Interrupt Enable bit
1 = Enables the TMR1 overflow interrupt
0 = Disables the TMR1 overflow interrupt

Legend:

R = Readable bit W = Writable bit U = Unimplemented bit, read as '0'
- n = Value at POR '1' = Bit is set '0' = Bit is cleared x = Bit is unknown

2.7 PIR1 Register

This register contains the individual flag bits for the peripheral interrupts.

Note: Interrupt flag bits are set when an interrupt condition occurs, regardless of the state of its corresponding enable bit, or the global enable bit, GIE (INTCON<7>). User software should ensure the appropriate interrupt flag bits are clear prior to enabling an interrupt.

REGISTER 2-5: PERIPHERAL INTERRUPT REGISTER (PIR1 0Ch)

R/W-0	R/W-0	R/W-0	R/W-0	U-0	U-0	U-0	R/W-0
LVDIF	ADIF	C2IF	C1IF	—	—	—	TMR1IF
bit7							bit 0

- bit 7 **LVDIF:** Low Voltage Detect Interrupt Flag bit
 1 = The supply voltage has fallen below the specified LVD voltage (must be cleared in software)
 0 = The supply voltage is greater than the specified LVD voltage
- bit 6 **ADIF:** Analog-to-Digital Converter Interrupt Flag bit
 1 = An ADC conversion completed (must be cleared in software)
 0 = The ADC conversion is not complete
- bit 5 **C2IF:** Comparator C2 Interrupt Flag bit
 1 = Comparator C2 input has crossed the threshold (must be cleared in software)
 0 = Comparator C2 input has not crossed the threshold
- bit 4 **C1IF:** Comparator C1 Interrupt Flag bit
 1 = Comparator C1 input has crossed the threshold (must be cleared in software)
 0 = Comparator C1 input has not crossed the threshold
- bit 3-1 **Unimplemented:** Read as '0'
- bit 0 **TMR1IF:** TMR1 Overflow Interrupt Flag bit
 1 = TMR1 register overflowed (must be cleared in software)
 0 = TMR1 register did not overflow

Legend:

R = Readable bit	W = Writable bit	U = Unimplemented bit, read as '0'
- n = Value at POR	'1' = Bit is set	'0' = Bit is cleared x = Bit is unknown

PIC16C781/782

2.8 PCON Register

The Power Control (PCON) register contains two flag bits to allow determination of the source of the most recent RESET:

- Power-on Reset ($\overline{\text{POR}}$)
- External $\overline{\text{MCLR}}$ Reset
- Power Supply Brown-out ($\overline{\text{BOR}}$) Reset

The Power Control register also contains frequency select bits for the INTRC oscillator and the WDT software enable bit.

Note: $\overline{\text{BOR}}$ is unknown on Power-on Reset. It must then be set by the user and checked on subsequent RESETS to see if $\overline{\text{BOR}}$ is clear, indicating a brown-out has occurred. The $\overline{\text{BOR}}$ status bit is a don't care and is not necessarily predictable if the brown-out circuit is disabled (by clearing the BODEN bit in the Configuration word).

Direction of Change	Typical Time Inactive	
	Minimum	Maximum
4 MHz → 37 kHz	100 μs	300 μs
37 kHz → 4 MHz	1.25 μs	3.25 μs

Note: When changing the internal oscillator speed (i.e., the OSCF bit, INTRC mode), the processor will be inactive during the oscillator frequency change.

REGISTER 2-6: POWER CONTROL REGISTER (PCON: 8Eh)

	U-0	U-0	U-0	R/W-q	R/W-1	U-0	R/W-q	R/W-q
	—	—	—	WDTON	OSCF	—	$\overline{\text{POR}}$	$\overline{\text{BOR}}$
	bit 7							bit 0
bit 7-5	Unimplemented: Read as '0'							
bit 4	WDTON: WDT Software Enable bit							
	<u>If WDTE bit (Configuration Word <3>) = 1:</u>							
	This bit is not writable, always reads '1'							
	<u>If WDTE bit (Configuration Word <3>) = 0:</u>							
	1 = WDT is enabled							
	0 = WDT is disabled							
bit 3	OSCF: Oscillator Speed INTRC Mode bit							
	1 = 4 MHz typical							
	0 = 37 kHz typical							
	All other oscillator modes (X = Ignored)							
bit 2	Unimplemented: Read as '0'							
bit 1	POR: Power-on Reset Status bit							
	1 = No Power-on Reset occurred							
	0 = A Power-on Reset occurred (must be set in software after a Power-on Reset occurs)							
bit 0	BOR: Brown-out Reset Status bit							
	1 = No Brown-out Reset occurred							
	0 = A Brown-out Reset occurred							

Legend:

q = Value depends on conditions

R = Readable bit W = Writable bit U = Unimplemented bit, read as '0'

- n = Value at POR '1' = Bit is set '0' = Bit is cleared x = Bit is unknown

2.9 PCL and PCLATH

The program counter (PC) specifies the address of the instruction to fetch for execution. The PC is 13-bits wide. The low byte is called the PCL register. This register is readable and writable. The high byte is called the PCH register. This register contains the PC<12:8> bits and is not directly readable or writable. All updates to the PCH register occur through the PCLATH register.

2.9.1 PROGRAM MEMORY PAGING

PIC16C781/782 devices are capable of addressing a continuous 8K word block of program memory. The CALL and GOTO instructions provide only 11 bits of address to allow branching within any 2K program memory page. When performing a CALL or GOTO instruction, the upper 2 bits of the address are provided by PCLATH<4:3>. When performing a CALL or GOTO instruction, the user must ensure that the page select bits are programmed so that the desired program memory page is addressed. A return instruction pops a PC address off the stack onto the PC register. Therefore, manipulation of the PCLATH<4:3> bits is not required for the return instructions (which POPs the address from the stack).

2.10 Stack

The stack allows a combination of up to 8 program calls and interrupts to occur. The stack contains the return address from this branch in program execution.

Mid-range devices have an 8-level deep x 13-bit wide hardware stack. The stack space is not part of either program or data space and the stack pointer is not readable or writable. The PC is PUSHed onto the stack when a CALL instruction is executed, or an interrupt causes a branch. The stack is POPed in the event of a RETURN, RETLW, or a RETFIE instruction execution. PCLATH is not modified when the stack is PUSHed or POPed.

After the stack has been PUSHed eight times, the ninth push overwrites the value that was stored from the first push. The tenth push overwrites the second push (and so on).

2.11 INDF

The INDF register is not a physical register. Addressing INDF actually addresses the register whose address is contained in the FSR register (FSR is a *pointer*). This is known as *indirect addressing*.

Reading INDF itself, indirectly (FSR = 0), produces 00h. Writing to the INDF register indirectly results in a no operation (although STATUS bits may be affected).

A simple program to clear RAM locations 20h-2Fh using indirect addressing is shown in Example 2-1.

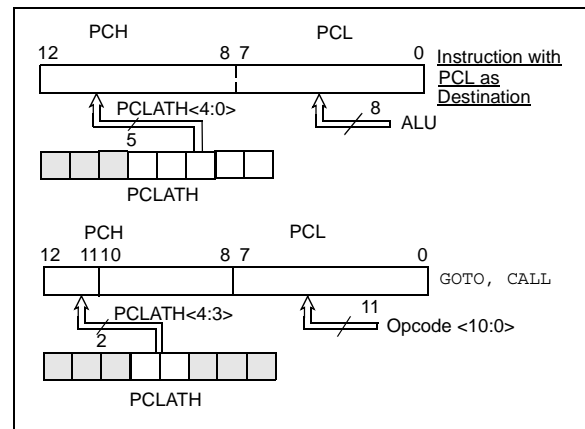
EXAMPLE 2-1: HOW TO CLEAR RAM USING INDIRECT ADDRESSING

```

movlw 0x20 ;initialize pointer
movwf FSR ; to RAM
NEXT   clrf INDF ;clear INDF register
       incf FSR ;inc pointer
       btfs FSR,4 ;all done?
       goto NEXT ;NO, clear next
CONTINUE
       : ;YES, continue
    
```

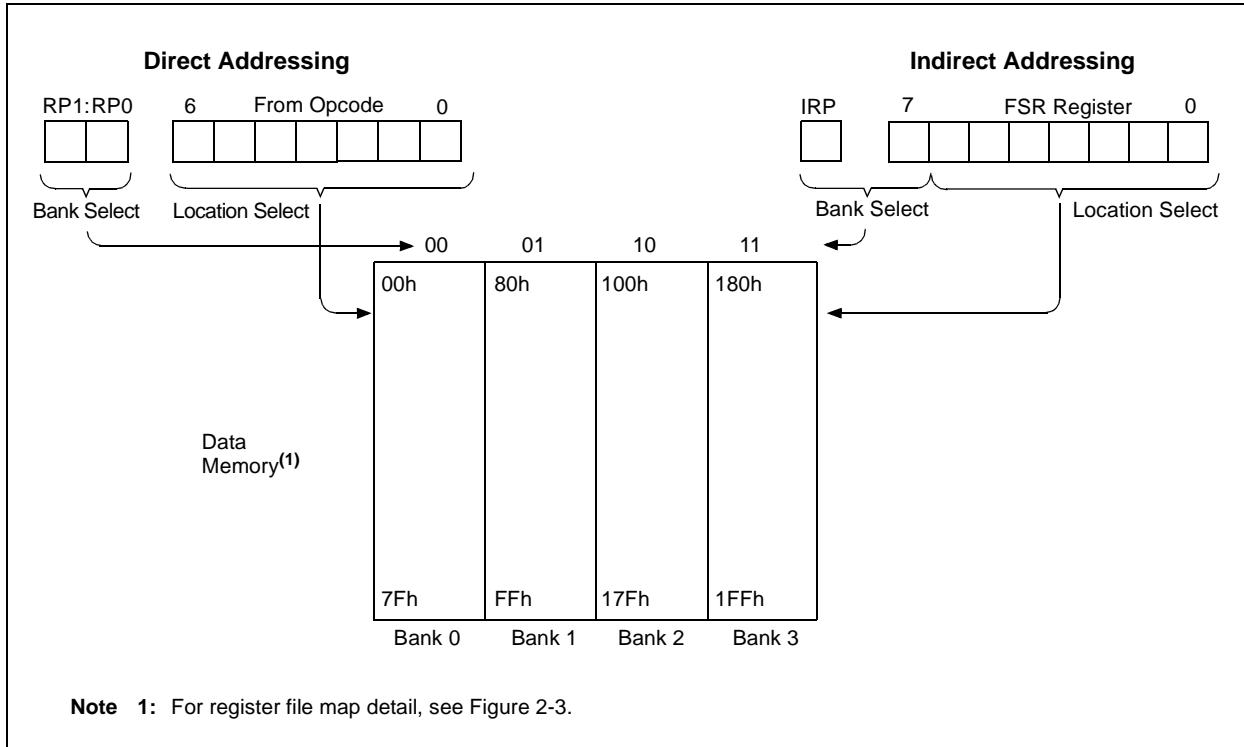
An effective 9-bit address is obtained by concatenating the 8-bit FSR register and the IRP bit (STATUS<7>), as shown in Figure 2-5.

FIGURE 2-4: LOADING OF PC IN DIFFERENT SITUATIONS



PIC16C781/782

FIGURE 2-5: DIRECT/INDIRECT ADDRESSING



2.12 Effect of RESET on Core Registers

Refer to Table 2-2 for the effect of a RESET operation on core registers.

TABLE 2-2: EFFECT OF RESET ON CORE REGISTERS

Address	Name	Bit 7	Bit 6	Bit 5	Bit 4	Bit 3	Bit 2	Bit 1	Bit 0	Value on: POR, BOR	Value on all other RESETS ⁽¹⁾
Bank 0											
00h	INDF	Addressing this location uses contents of FSR to address data memory (not a physical register)								0000 0000	0000 0000
02h	PCL	Program Counter's (PC) Least Significant Byte								0000 0000	0000 0000
04h	FSR	Indirect Data Memory Address Pointer								xxxx xxxx	uuuu uuuu
0Ah	PCLATH	—	—	—	Write Buffer for the upper 5 bits of the Program Counter			---	0000	---	0000
0Ch	PIR1	LVDIF	ADIF	C2IF	C1IF	—	—	—	TMR1IF	0000 ---0	0000 ---0
Bank 1											
81h	OPTION_REG	$\overline{\text{RBPU}}$	INTEDG	T0CS	T0SE	PSA	PS2	PS1	PS0	xxxx xxxx	1111 1111
83h	STATUS	IRP	RP1	RP0	$\overline{\text{TO}}$	$\overline{\text{PD}}$	Z	DC	C	0001 1xxx	000q quuu
8Bh	INTCON	GIE	PEIE	T0IE	INTE	RBIE	T0IF	INTF	RBIF	0000 000x	0000 000u
8Ch	PIE1	LVDIE	ADIE	C2IE	C1IE	—	—	—	TMR1IE	0000 ---0	0000 ---0
8Eh	PCON	—	—	—	WDTON	OSCF	—	$\overline{\text{POR}}$	$\overline{\text{BOR}}$	---q 1-qq	---q 1-qq

Legend: x = unknown, u = unchanged, q = value depends on condition, - = unimplemented, read as '0'.
Shaded locations are unimplemented, read as '0'.

Note 1: Other (non power-up) RESETS include external RESET through $\overline{\text{MCLR}}$ and Watchdog Timer Reset.

3.0 I/O PORTS

Most pins for the I/O ports are multiplexed with an alternate function for the peripheral features on the device. In general, when a peripheral is enabled, that pin may not be used as a general purpose I/O pin.

Additional information on I/O ports may be found in the PICmicro™ Mid-Range Reference Manual (DS33023)

3.1 I/O Port Analog/Digital Mode

The PIC16C781/782 has two I/O ports: PORTA and PORTB. Some of these port pins are mixed signal (can be digital or analog). When an analog signal is present on a pin, the pin must be configured as an analog input

to prevent unnecessary current drawn from the power supply. The Analog Select register (ANSEL) allows the user to individually select the Digital/Analog mode on these pins. When the Analog mode is active, the port pin always reads as a logic 0.

Note 1: On a Power-on Reset, the ANSEL register configures these mixed signal pins as Analog mode: RA<3:0>, RB<3:0>.

2: If a pin is configured as Analog mode, the pin always reads '0', even if the digital output is active.

REGISTER 3-1: ANALOG SELECT REGISTER (ANSEL: 9Dh)

R/W-1	R/W-1	R/W-1	R/W-1	R/W-1	R/W-1	R/W-1	R/W-1
ANS7	ANS6	ANS5	ANS4	ANS3	ANS2	ANS1	ANS0

bit 7

bit 0

bit 7-0

ANS<7:0>: Select Analog Input Function on AN<7:0> bits

1 = Analog input

0 = Digital I/O

Note: Setting a pin to an analog input disables the digital input buffer. The corresponding TRIS bit should be set to input mode when using pins as analog inputs.

Legend:

R = Readable bit

W = Writable bit

U = Unimplemented bit, read as '0'

- n = Value at POR

'1' = Bit is set

'0' = Bit is cleared

x = Bit is unknown

PIC16C781/782

3.2 PORTA and the TRISA Register

PORTA is an 8-bit wide, bi-directional port with the exception of RA0, RA1 and RA5, which are inputs only. The corresponding data direction register is TRISA. Setting a TRISA bit (= 1) makes the corresponding PORTA pin an input (i.e., disables the digital output). Clearing a TRISA bit (= 0) makes the corresponding PORTA pin an output (i.e., disables the digital output).

Reading the PORTA register reads the status of the pins, whereas writing to it, writes to the port latch. All write operations are read-modify-write operations. Therefore, a write to a port implies that the port pins are read, this value is then modified and written to the port data latch.

Pins RA<3:0> are multiplexed with analog functions:

- Analog inputs AN<3:0> to the A/D Converter.
- VREF1 and VREF2 inputs to the comparators.
- OPAMP inverting/non-inverting inputs.

Note: When the analog peripherals are using any of these pins as analog input/output, the ANSEL register must have the proper value to individually select the Analog mode of the corresponding pins.

Pins RA<7:4> are multiplexed with digital functions:

- Pin RA4 is multiplexed with the TMR0 module clock input.
- Pin RA5 is multiplexed with the device RESET (MCLR) and programming input (VPP) function.
- Pins RA6 and RA7 are multiplexed with the oscillator/clock I/O functions. RA6 can also be configured as the TMR1 clock input.

PORTA has the following I/O characteristics:

- RA0, RA1, and RA5 are input only.
- RA4 is an open drain output. All other PORTA pins have full CMOS buffer outputs.
- All PORTA pins have Schmitt trigger inputs.

EXAMPLE 3-1: INITIALIZING PORTA

```
;* This code block will configure PORTA
;* as follows
;* RA<7:4> digital outputs
;* RA<3:2> digital inputs
;* RA<1:0> analog inputs
;* RB<3:0> digital I/O
;* Note 1: RB<3:0> configured as digital I/O
;* Note 2: RA<7:6> availability depends on
;* the oscillator selection

BANKSEL    PORTA    ; Select Bank 0
CLRF       PORTA    ; Preset PORTA data
                ; reg
BANKSEL    TRISA    ; Select Bank 1
MOVLW     B'00001111'; Digital I/O
                ; config data
MOVWF     TRISA    ; Configure PORTA
                ; digital
MOVLW     B'00000011'; Analog I/O config
                ; data
MOVWF     ANSEL    ; Configure PORTA
                ; analog
```

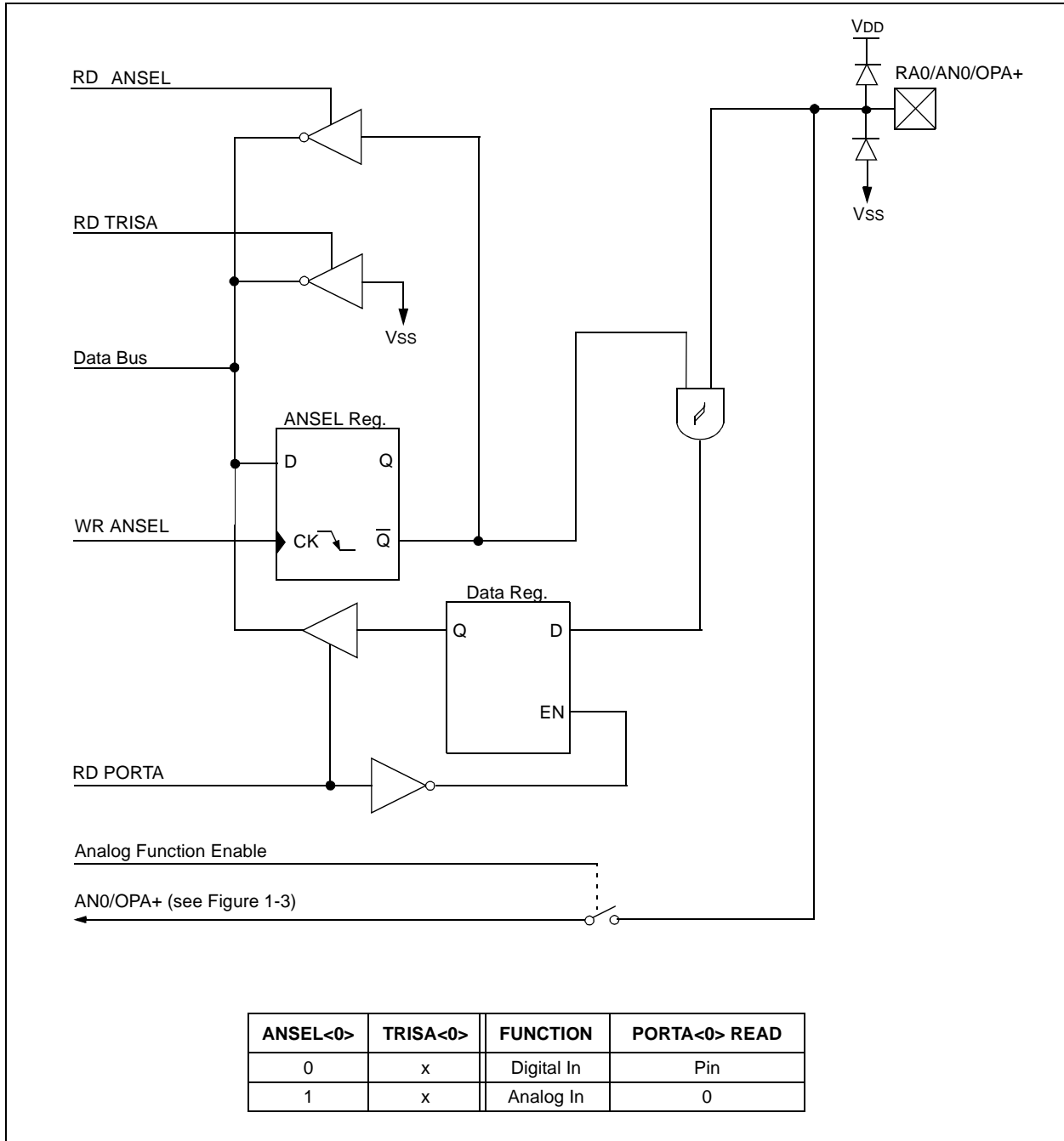
3.2.1 TRISA, ANSEL, AND CONTROL PRECEDENCE

The ANSEL and TRISA registers are the primary software controls for the configuration of PORTA pins. TRISA bits tri-state the output drivers of PORTA, and ANSEL register bits control the digital input buffers. It is important to program both registers when configuring a mixed signal port pin, as most peripherals cannot override the TRISA and ANSEL registers control. Even if a peripheral has the ability to override control of the TRISA and ANSEL registers, it is good programming practice to program both registers appropriately.

There are specific cases in which the TRISA and ANSEL registers can be overridden by a peripheral or a configuration bit, see Figures 3-1 through 3-8 for details.

Note: Crystal (LP, XT and HS) oscillator configurations use pin RA6/OSC2/CLKOUT/T1CKI as OSC2. In these modes, setting or clearing TRISA<6> will have no effect and the pin will read as a zero (0).

FIGURE 3-1: BLOCK DIAGRAM OF RA0/AN0/OPA+ PIN



PIC16C781/782

FIGURE 3-2: BLOCK DIAGRAM OF RA1/AN1/OPA- PIN

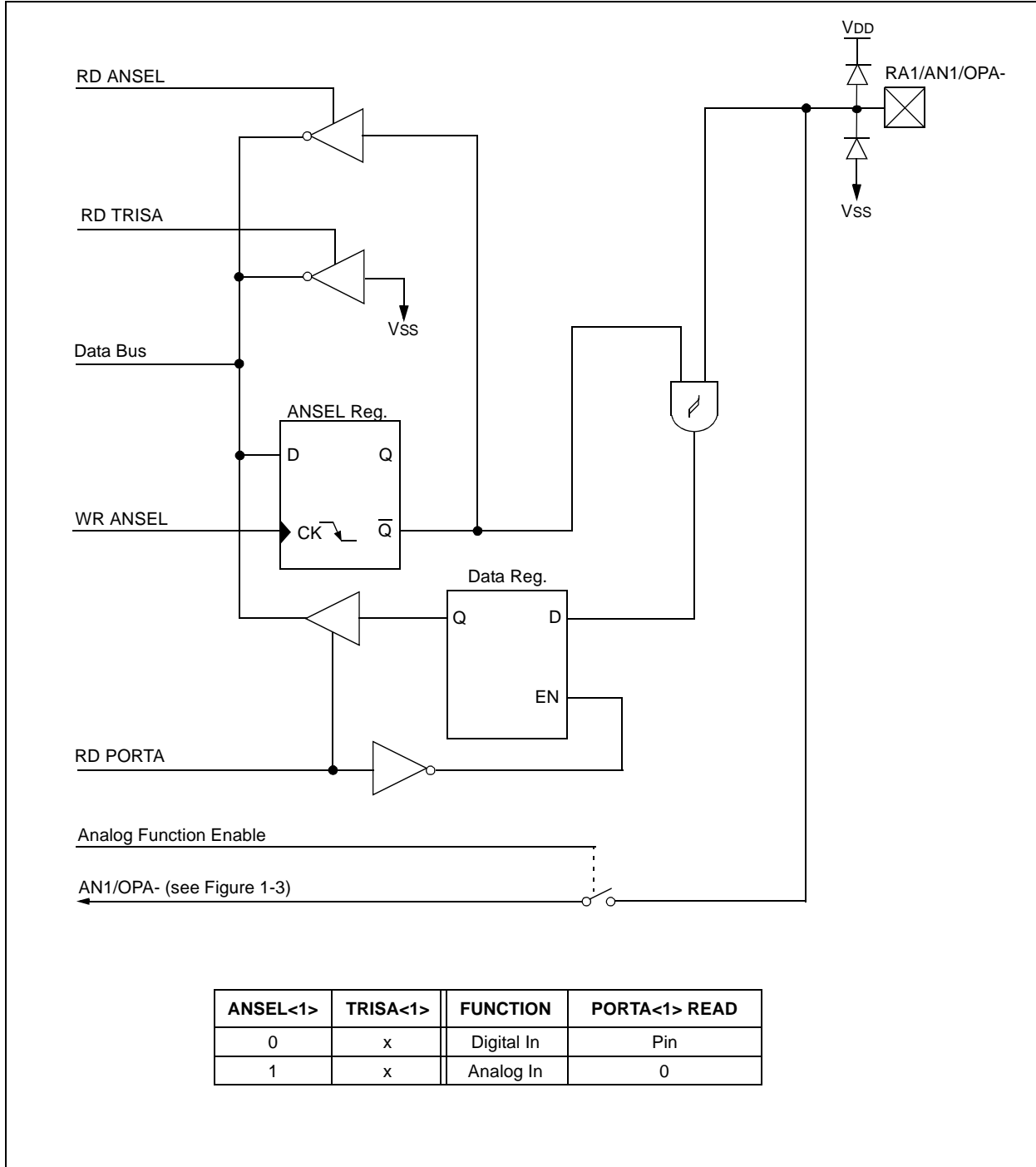
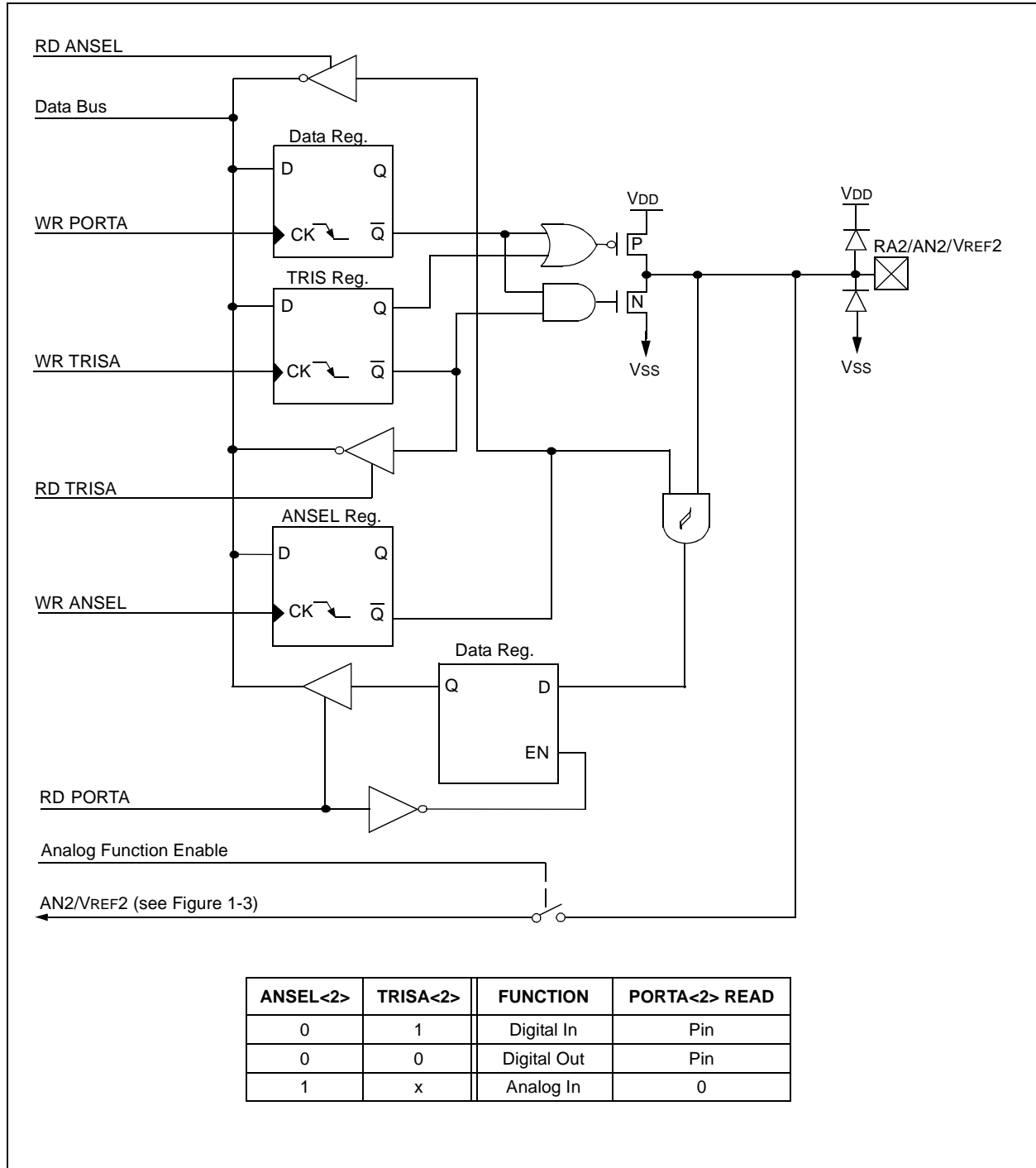


FIGURE 3-3: BLOCK DIAGRAM OF RA2/AN2/VREF2 PIN



PIC16C781/782

FIGURE 3-4: BLOCK DIAGRAM OF RA3/AN3/VREF1 PIN

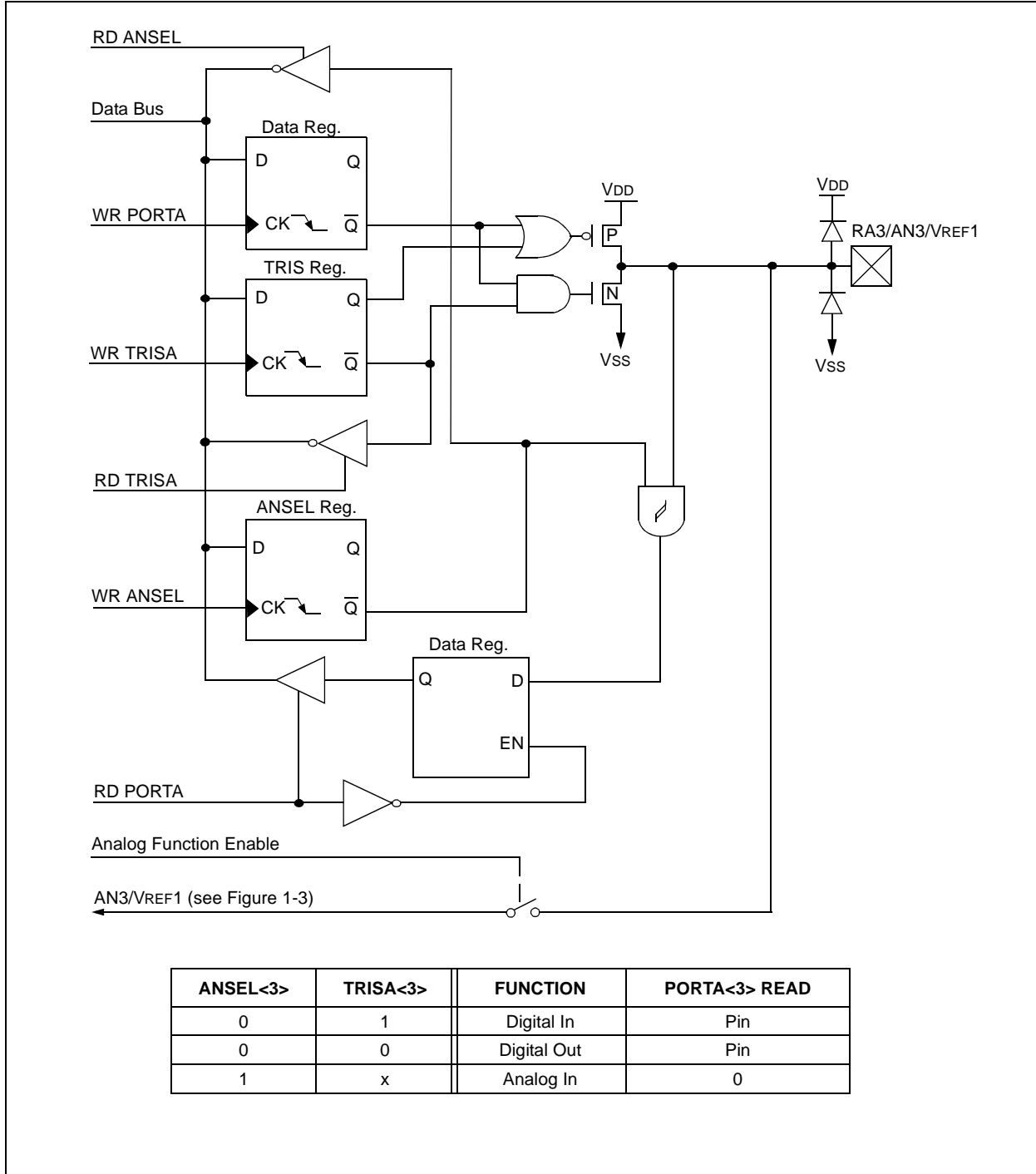
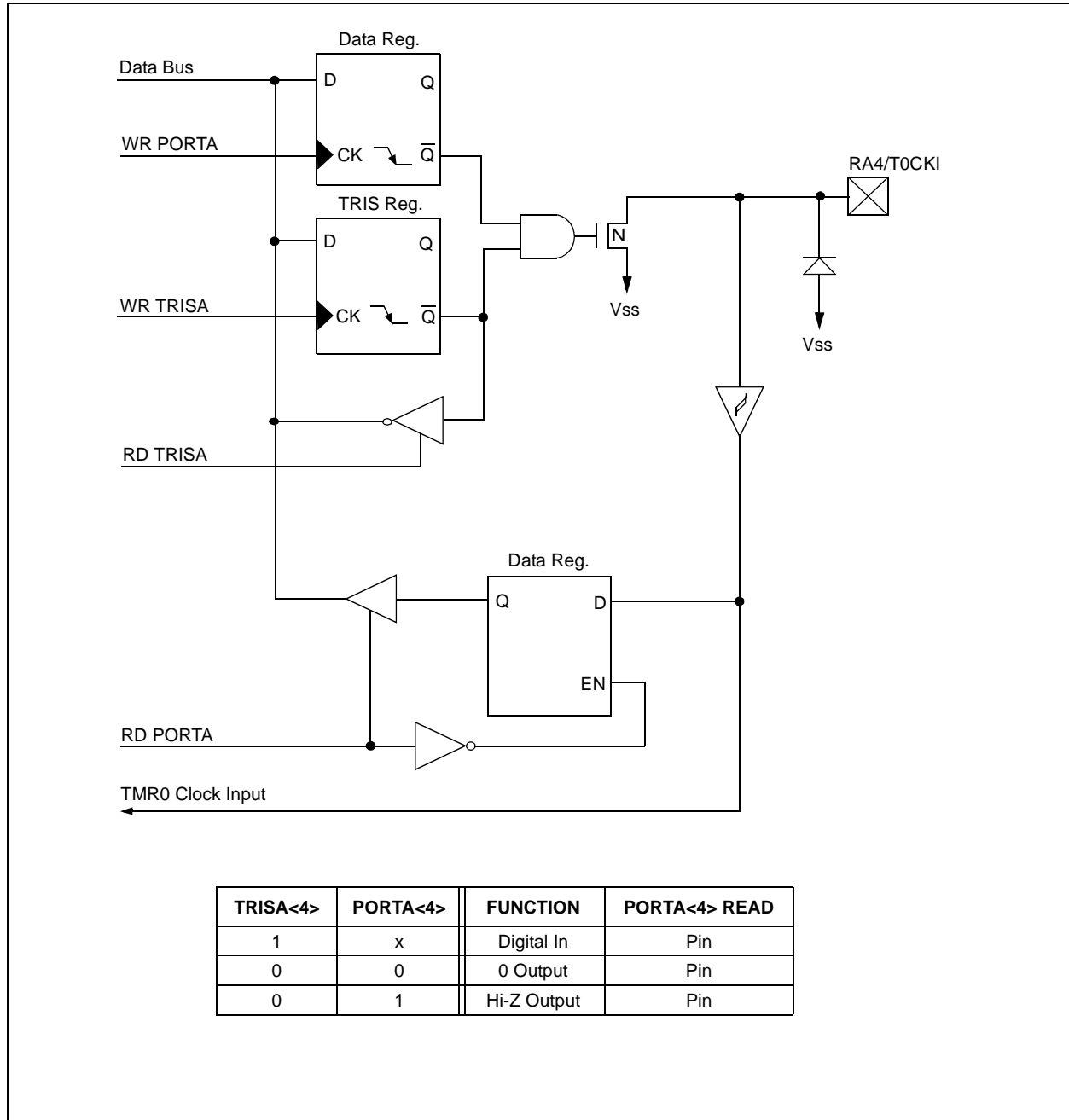


FIGURE 3-5: BLOCK DIAGRAM OF RA4/T0CKI PIN



PIC16C781/782

FIGURE 3-6: BLOCK DIAGRAM OF RA5/MCLR/VPP PIN

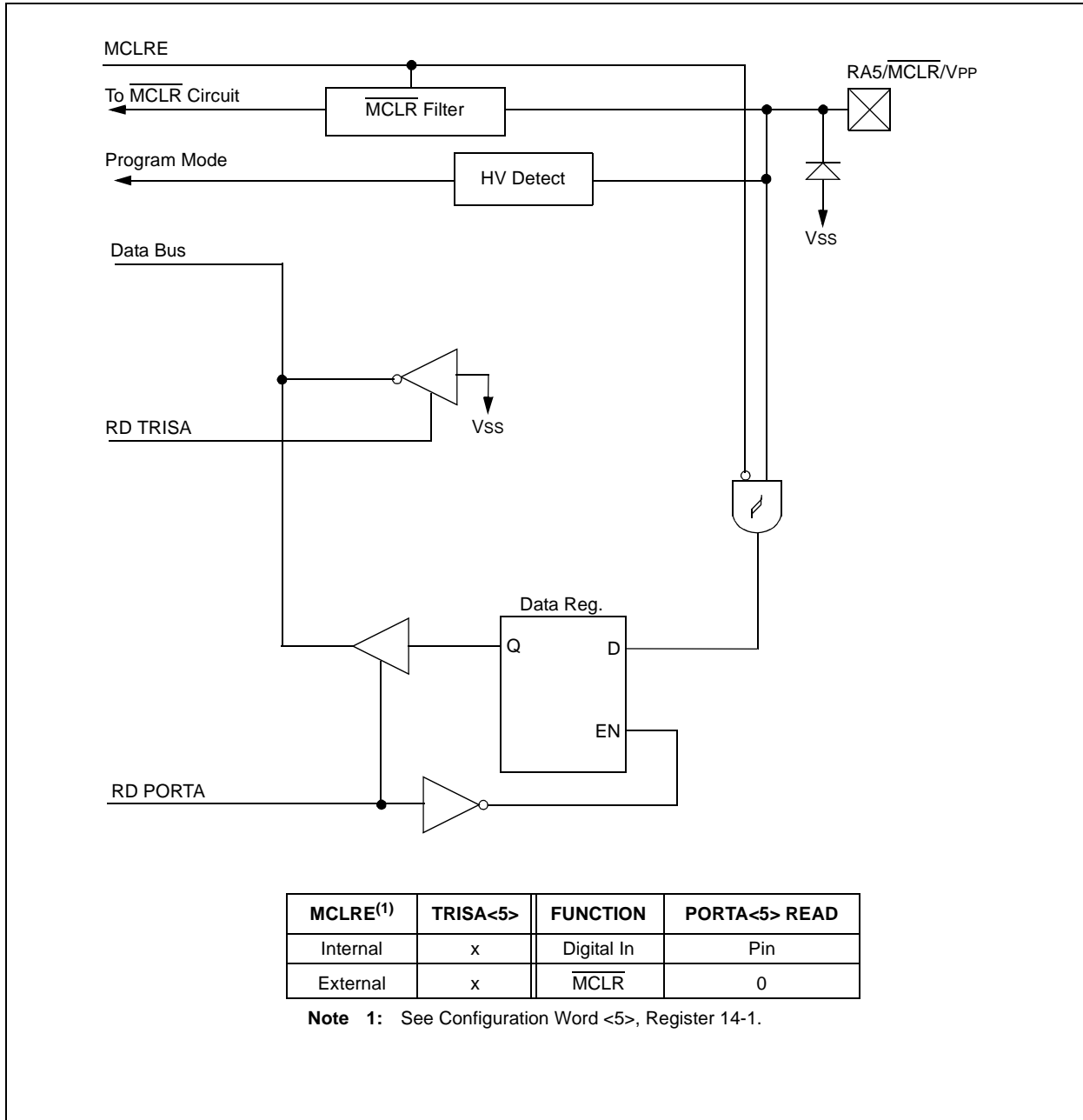
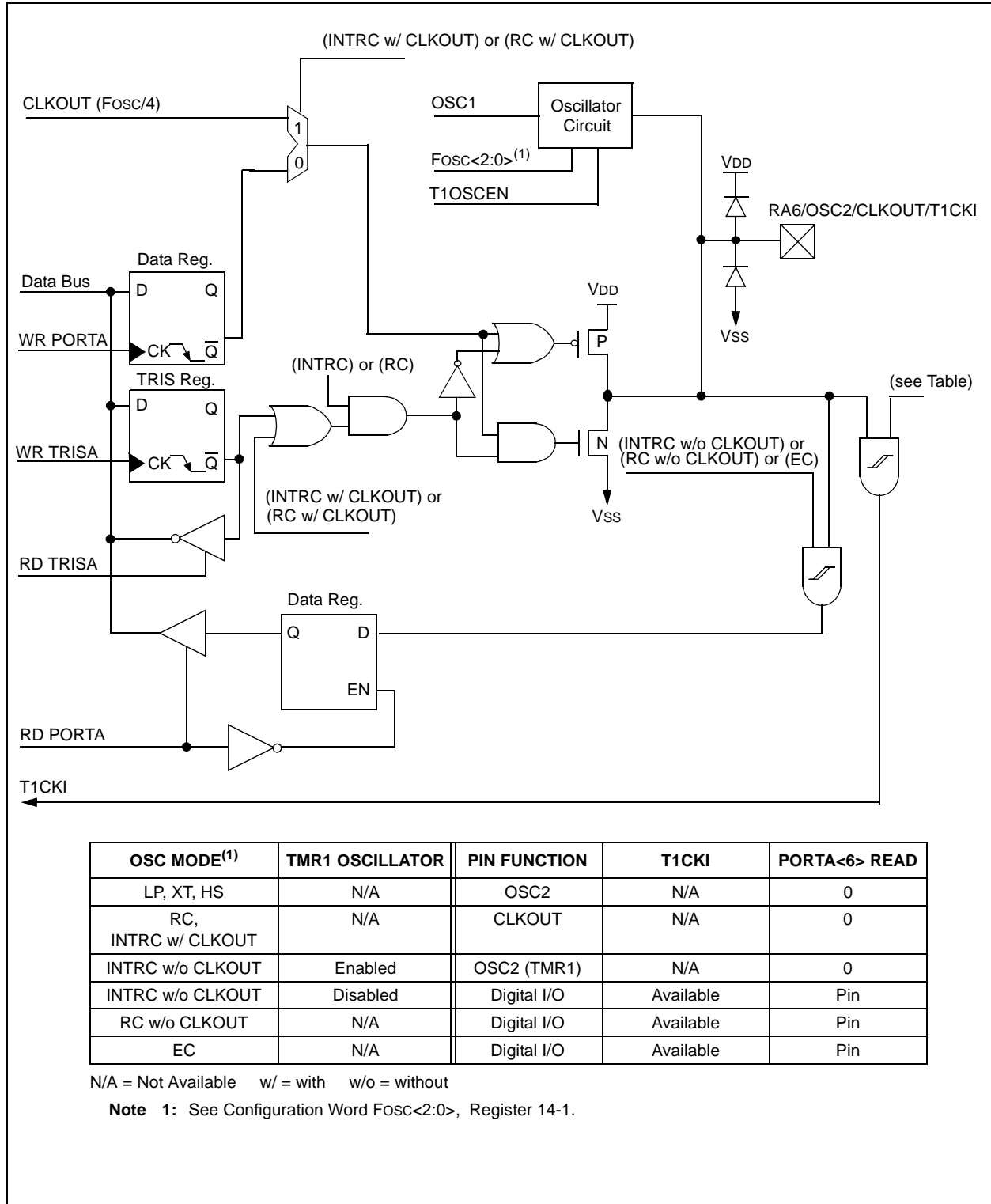


FIGURE 3-7: BLOCK DIAGRAM OF RA6/OSC2/CLKOUT/T1CKI PIN



PIC16C781/782

FIGURE 3-8: BLOCK DIAGRAM OF RA7/OSC1/CLKIN PIN

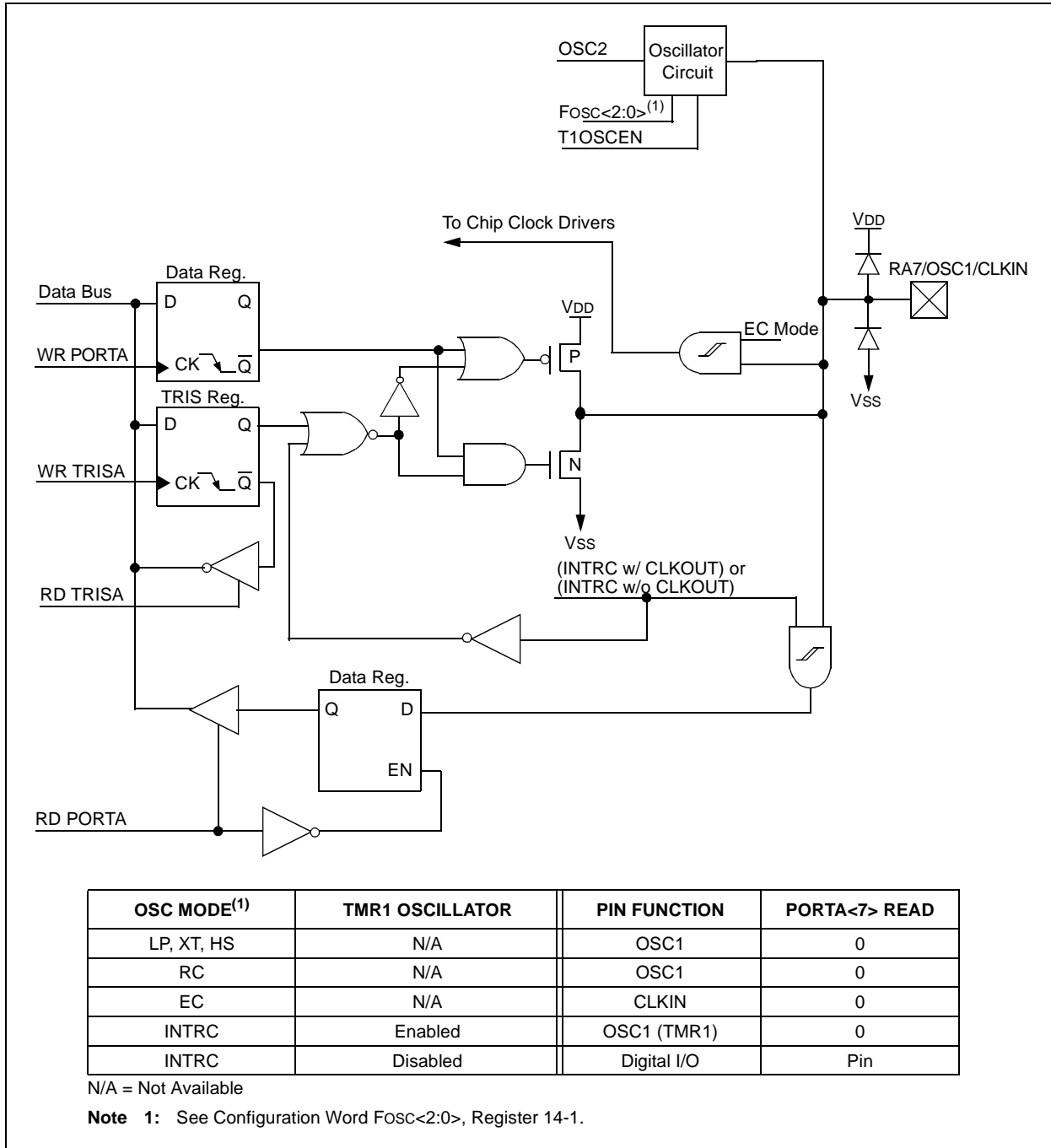


TABLE 3-1: SUMMARY OF REGISTERS ASSOCIATED WITH PORTA

Address	Name	Bit 7	Bit 6	Bit 5	Bit 4	Bit 3	Bit 2	Bit 1	Bit 0	Value on: POR, BOR	Value on all other RESETS
05h	PORTA	RA7	RA6	RA5	RA4	RA3	RA2	RA1	RA0	xxxx 0000	uuuu 0000
85h	TRISA	PORTA Data Direction Register								1111 1111	1111 1111
9Dh	ANSEL	AN7	AN6	AN5	AN4	AN3	AN2	AN1	AN0	1111 1111	1111 1111

Legend: x = unknown, u = unchanged, - = unimplemented, read as '0'. Shaded cells are not used by PORTA.

3.3 PORTB and the TRISB Register

PORTB is an 8-bit wide, bi-directional port. The corresponding data direction register is TRISB. Setting a TRISB bit (= 1) makes the corresponding PORTB pin an input (i.e., puts the corresponding output driver into a Hi-Impedance mode). Clearing a TRISB bit (= 0) makes the corresponding PORTB pin an output (i.e., puts the contents of the output latch on the selected pin).

EXAMPLE 3-2: INITIALIZING PORTB

```

;* This code block will configure PORT B
;* as follows
;* RB<7:6> analog inputs
;* RB<5:4> digital inputs
;* RB<3:2> digital inputs
;* RB<1:0> digital inputs
;* RA<3:0> digital I/O

        BANKSEL    PORTB    ; Select Bank 0
        CLRF       PORTB    ; Preset PORTB data
                               ; reg.
        BANKSEL    TRISB    ; Select Bank 1
        MOVLW      B'11001111' ; Digital I/O
                               ; config data
        MOVWF      TRISB    ; Configure PORTB
                               ; digital
        MOVLW      B'00000011' ; Analog I/O config
                               ; data
        MOVWF      ANSEL    ; Configure PORTB
                               ; analog
    
```

The RB0 pin can be configured as:

- Digital I/O
- ADC/Comparator Analog Input (AN4)
- External Interrupt (INT)
- Voltage Reference Output (VR)

When the pin is used as an analog I/O, the ANSEL register must have bit 4 set to configure the RB0 pin as an analog input.

Pin RB1 is multiplexed with two analog functions: ADC/Comparator Analog Input AN5, and the output of the DAC. When the pin is used as an analog I/O, the ANSEL register must have bit 5 set to configure the RB1 pin as an analog I/O.

Pin RB2 is multiplexed with the analog function ADC/Comparator Input AN6. When the pin is used as an analog input, the ANSEL register must have bit 6 to select the Analog mode for the pin.

The RB3 pin is multiplexed with two analog functions: ADC/Comparator Analog Input AN7, and the output of the OPA module. When the pin is used as analog I/O, the ANSEL register must have bit 7 set to select the Analog mode of the pin.

Pins RB<7:6> are multiplexed with the outputs of the two on-board comparators, the outputs of the PSMC module, and the clock gate input for Timer1. Note, when enabled, these peripherals override the PORTB data register; however, TRISB retains control of output drivers. Therefore, TRISB<7:6> must be programmed appropriately for Comparator and PSMC outputs to operate.

3.3.1 PORTB WEAK PULL-UP

Each of the PORTB pins has an internal weak pull-up resistance, which can be individually enabled from the WPUB register. A single global enable bit, $\overline{\text{RBPU}}$ (OPTION_REG<7>), can turn on/off all of the selected pull-ups. Clearing the RBPU bit (OPTION_REG<7>) enables the weak pull-up resistors (see Register 3-2). The weak pull-up is automatically turned off when the port pin is configured as an output. The pull-ups are disabled on a Power-on Reset.

3.3.2 PORTB INTERRUPT-ON-CHANGE

Each of the PORTB pins, if configured as input, has the ability to generate an interrupt-on-change. To enable the interrupt-on-change feature, the corresponding bit must be set in the IOCB register (see Register 3-3). The RBIE bit in the INTCON register functions as a global enable bit to turn on/off the interrupt-on-change feature. The selected inputs are compared to the old value latched on the last read of PORTB. The "mismatch" outputs are OR-ed together to generate the RB Port Change Interrupt with flag bit RBIF (INTCON<0>).

The IOCB interrupt can also awaken the device from SLEEP. The user, in the Interrupt Service Routine, must clear the interrupt in the following manner:

- a) A read or write to PORTB. This copies the current state into the latch and ends the mismatch condition.
- b) Clear flag bit RBIF.

PIC16C781/782

REGISTER 3-2: WEAK PULL-UP PORTB REGISTER (WPUB: 95h)

R/W-1	R/W-1	R/W-1	R/W-1	R/W-1	R/W-1	R/W-1	R/W-1
WPUB7	WPUB6	WPUB5	WPUB4	WPUB3	WPUB2	WPUB1	WPUB0

bit7 bit0

bit 7-0 **WPUB<7:0>**: PORTB Weak Pull-Up Control bits

1 = Weak pull-up enabled for corresponding pin
0 = Weak pull-up disabled for corresponding pin

Note 1: For the WPUB register setting to take effect, the $\overline{\text{RBPU}}$ bit in the OPTION_REG register must be cleared.

Note 2: The weak pull-up device is automatically disabled if the pin is in output mode, i.e., (TRISB = 0) for corresponding pin.

Legend:			
R = Readable bit	W = Writable bit	U = Unimplemented bit, read as '0'	
- n = Value at POR	'1' = Bit is set	'0' = Bit is cleared	x = Bit is unknown

REGISTER 3-3: INTERRUPT-ON-CHANGE PORTB REGISTER (IOCB: 96h)

R/W-1	R/W-1	R/W-1	R/W-1	R/W-0	R/W-0	R/W-0	R/W-0
IOCB7	IOCB6	IOCB5	IOCB4	IOCB3	IOCB2	IOCB1	IOCB0

bit7 bit0

bit 7-0 **IOCB<7:0>**: Interrupt-on-Change PORTB Control bits

1 = Interrupt-on-change enabled for corresponding pin
0 = Interrupt-on-change disabled for corresponding pin

Note 1: The interrupt enable bits, GIE and RBIE in the INTCON register, must be set for individual interrupts to be recognized.

Legend:			
R = Readable bit	W = Writable bit	U = Unimplemented bit, read as '0'	
- n = Value at POR	'1' = Bit is set	'0' = Bit is cleared	x = Bit is unknown

3.3.3 TRISB, ANSEL, AND CONTROL PRECEDENCE

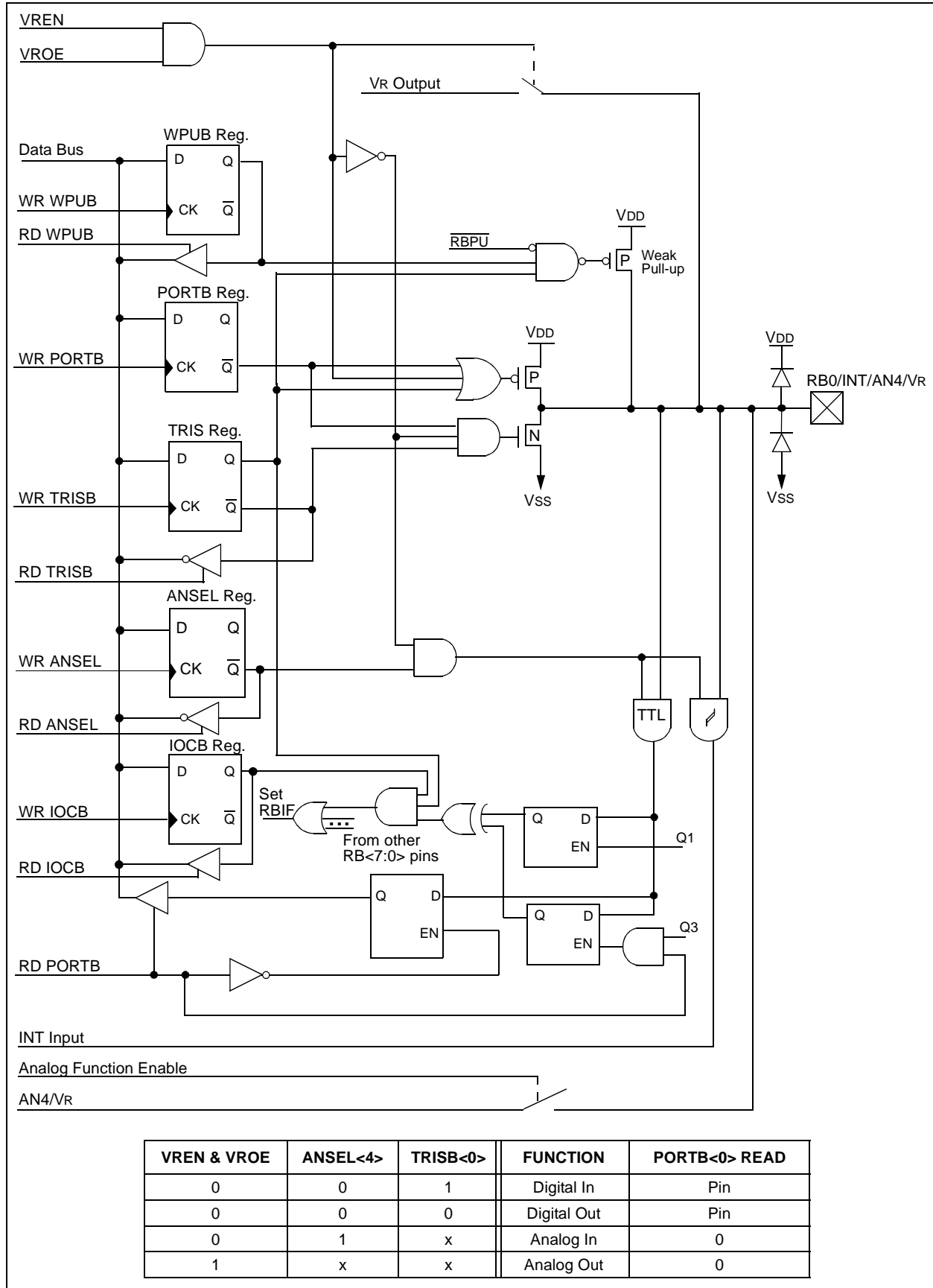
The ANSEL and TRISB registers are the primary controls for the configuration of PORTB pins. TRISB tristates the output drivers of PORTB, and the ANSEL register disables the input buffers. It is important to program both registers when configuring a port pin, since most peripherals do not have precedence over the TRISB and ANSEL registers' control of the pin. Even if a peripheral has the ability to override the control of the TRISB and ANSEL registers, it is good practice to program both registers appropriately.

Note 1: Upon RESET, the ANSEL register configures the RB<3:0> pins as analog inputs.

Note 2: When programmed as analog inputs, RB<3:0> pins will read as '0'.

Note 3: There are specific cases in which the functions of the TRISB and ANSEL registers can be overridden by a peripheral or configuration word (see Figure 3-9 through Figure 3-16 for details).

FIGURE 3-9: BLOCK DIAGRAM OF RB0/INT/AN4/VR PIN



PIC16C781/782

FIGURE 3-10: BLOCK DIAGRAM OF RB1/AN5/V_{DAC} PIN

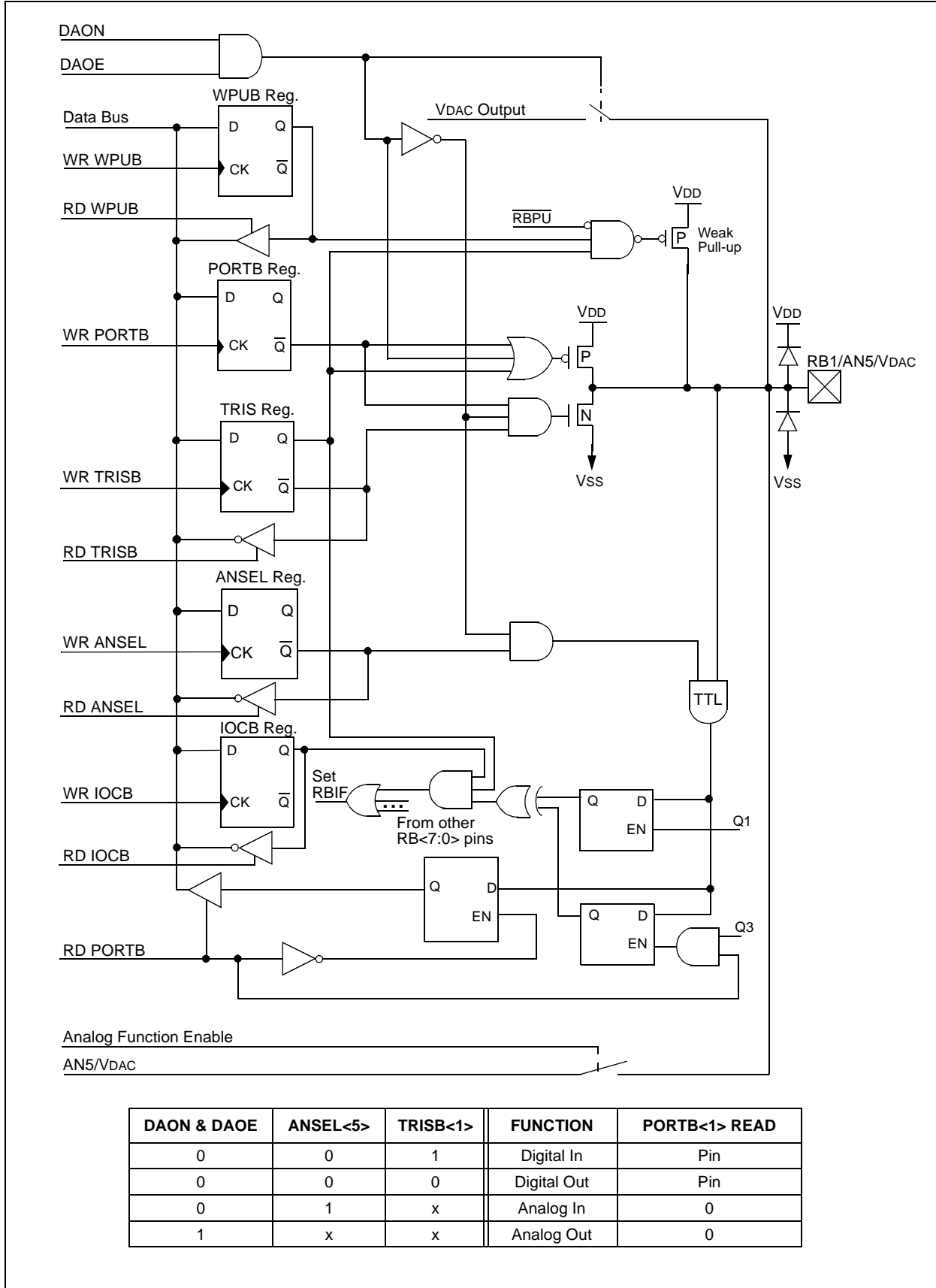
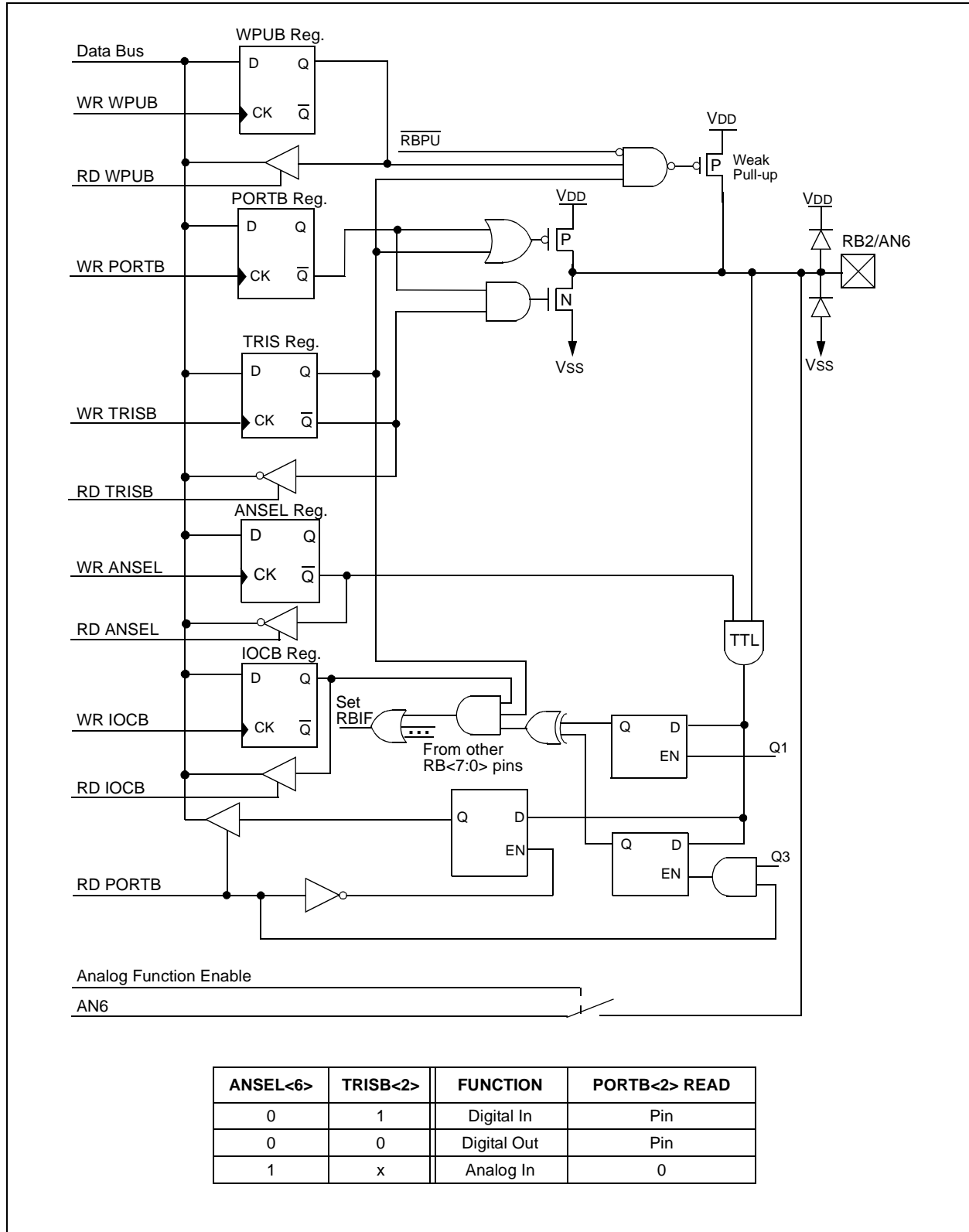
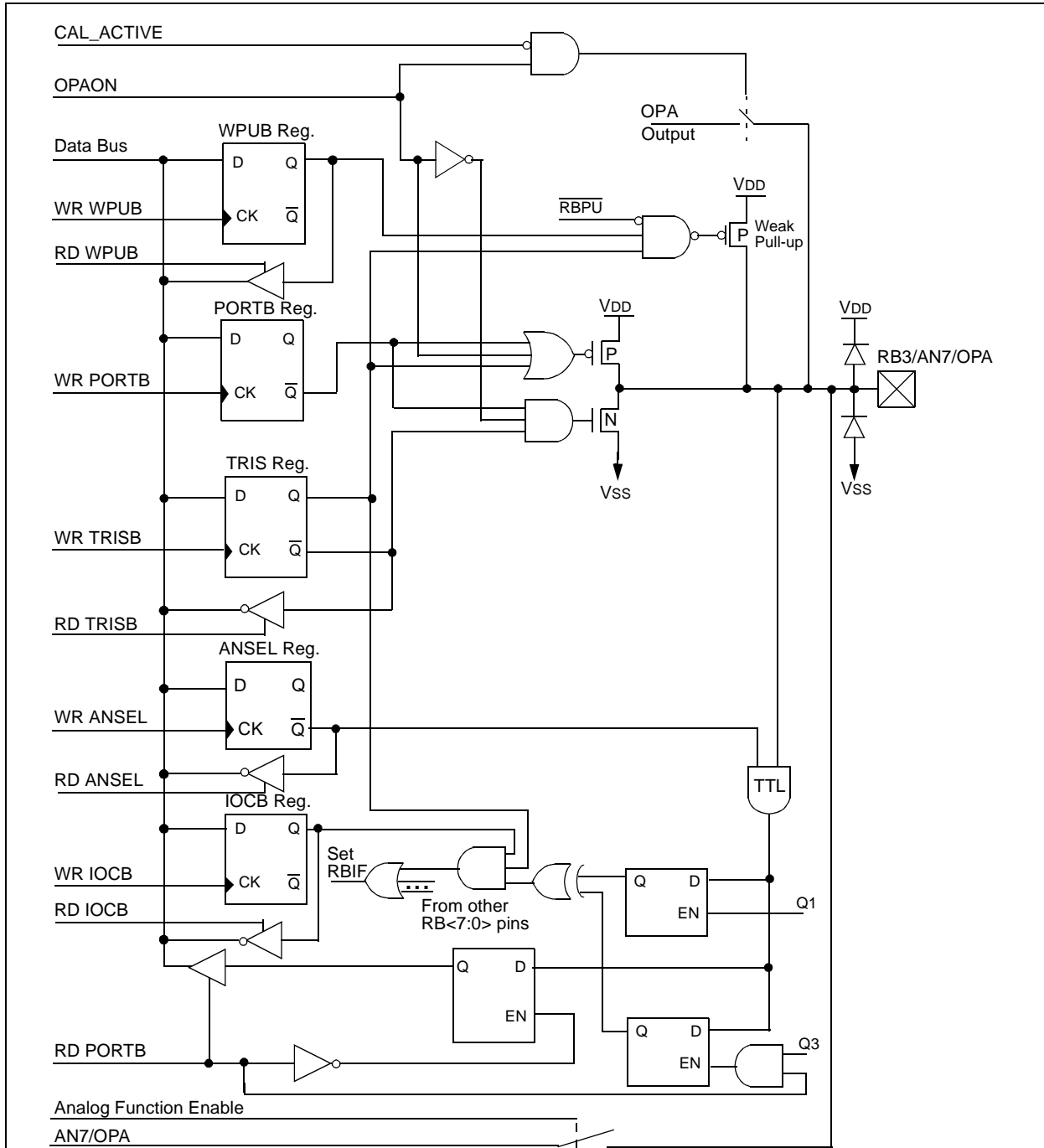


FIGURE 3-11: BLOCK DIAGRAM OF RB2/AN6 PIN



PIC16C781/782

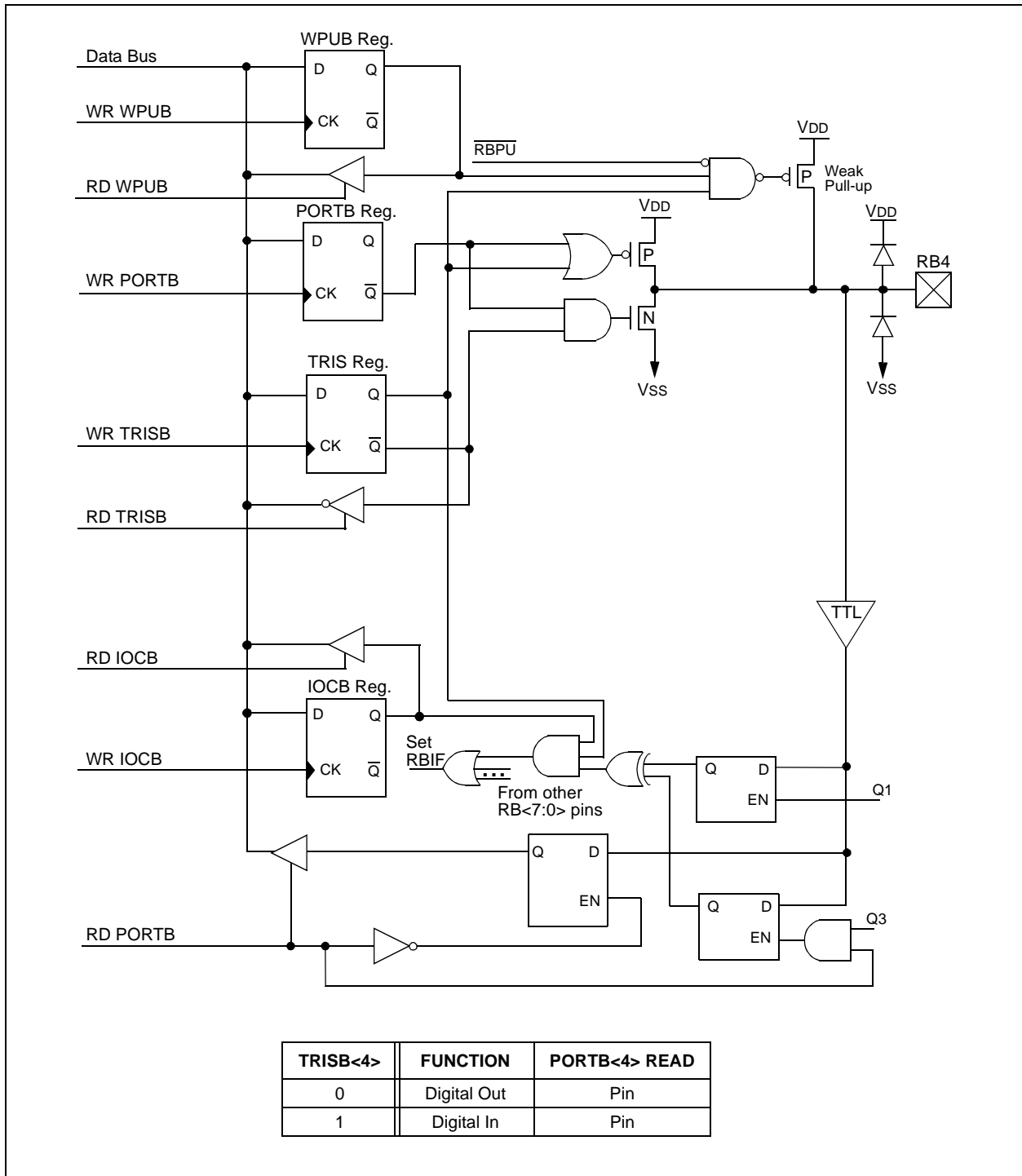
FIGURE 3-12: BLOCK DIAGRAM OF RB3/AN7/OPA PIN



OPA MODULE		ANSEL<7>	ADC/C1/C2 INPUT	FUNCTION	PORTB<3> READ
OPAON	CAL_ACTIVE				
0	x	0	Digital	Digital I/O	Pin
0	x	1	Analog	Analog In	0
1	0	1	Analog	OPA Output	0
1	1	1	Analog HI-Z	Calibration	0

Analog HI-Z = No internal drive on pin (analog input) during calibration.

FIGURE 3-13: BLOCK DIAGRAM OF RB4 PIN



PIC16C781/782

FIGURE 3-14: BLOCK DIAGRAM OF RB5 PIN

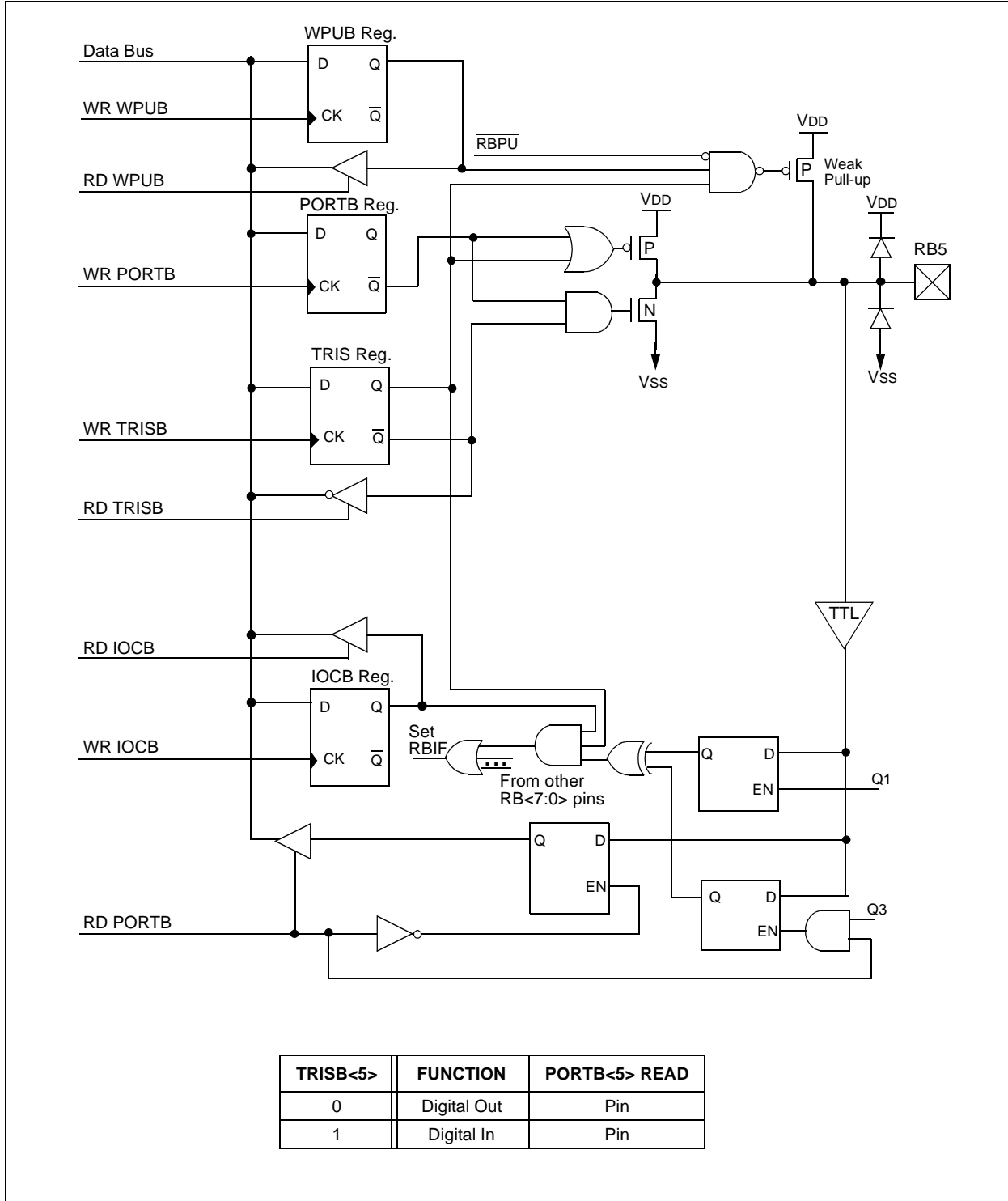
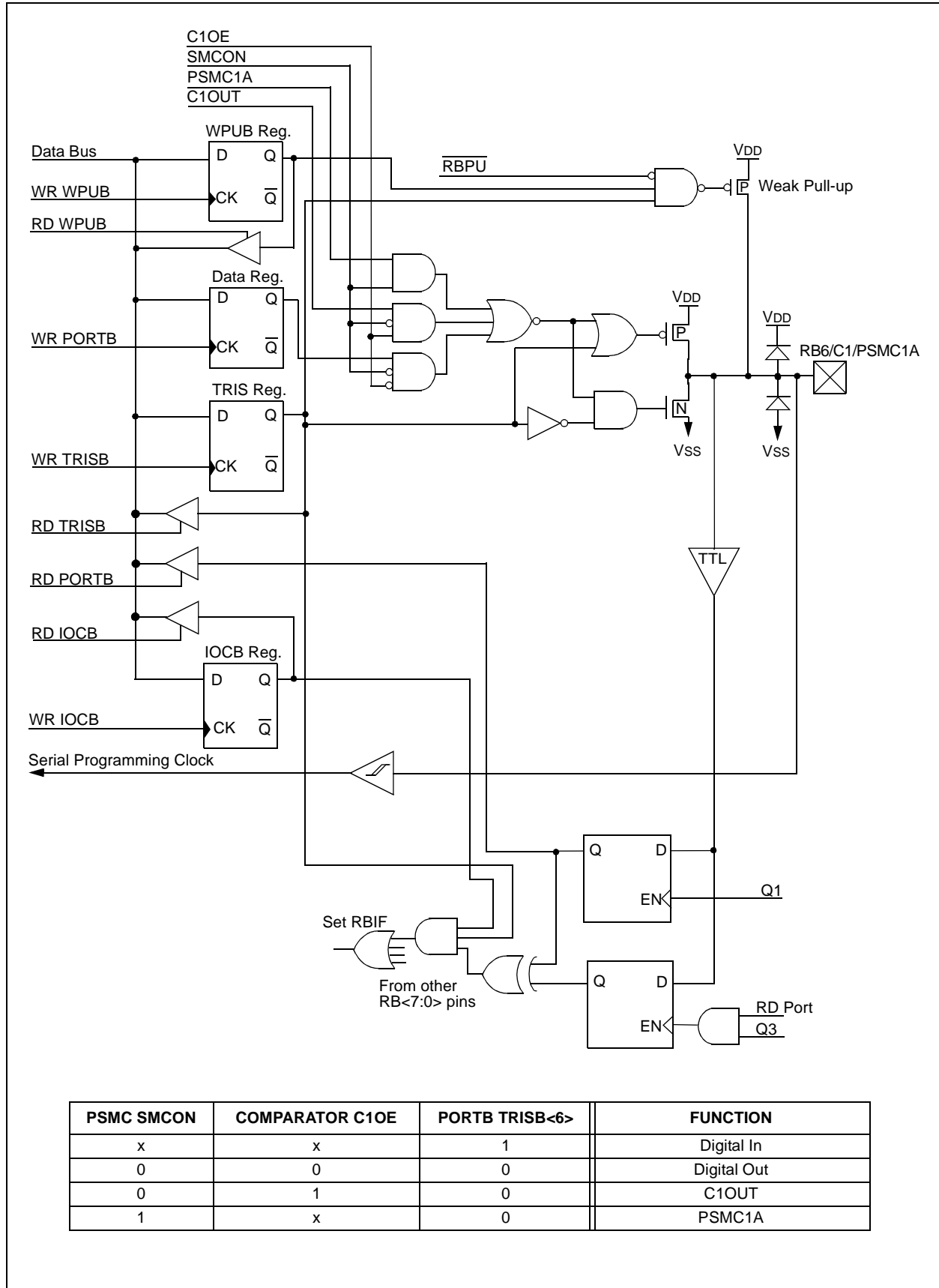


FIGURE 3-15: BLOCK DIAGRAM OF RB6/C1/PSMC1A PIN



PIC16C781/782

FIGURE 3-16: BLOCK DIAGRAM OF RB7/C2/PSMC1B/T1G PIN

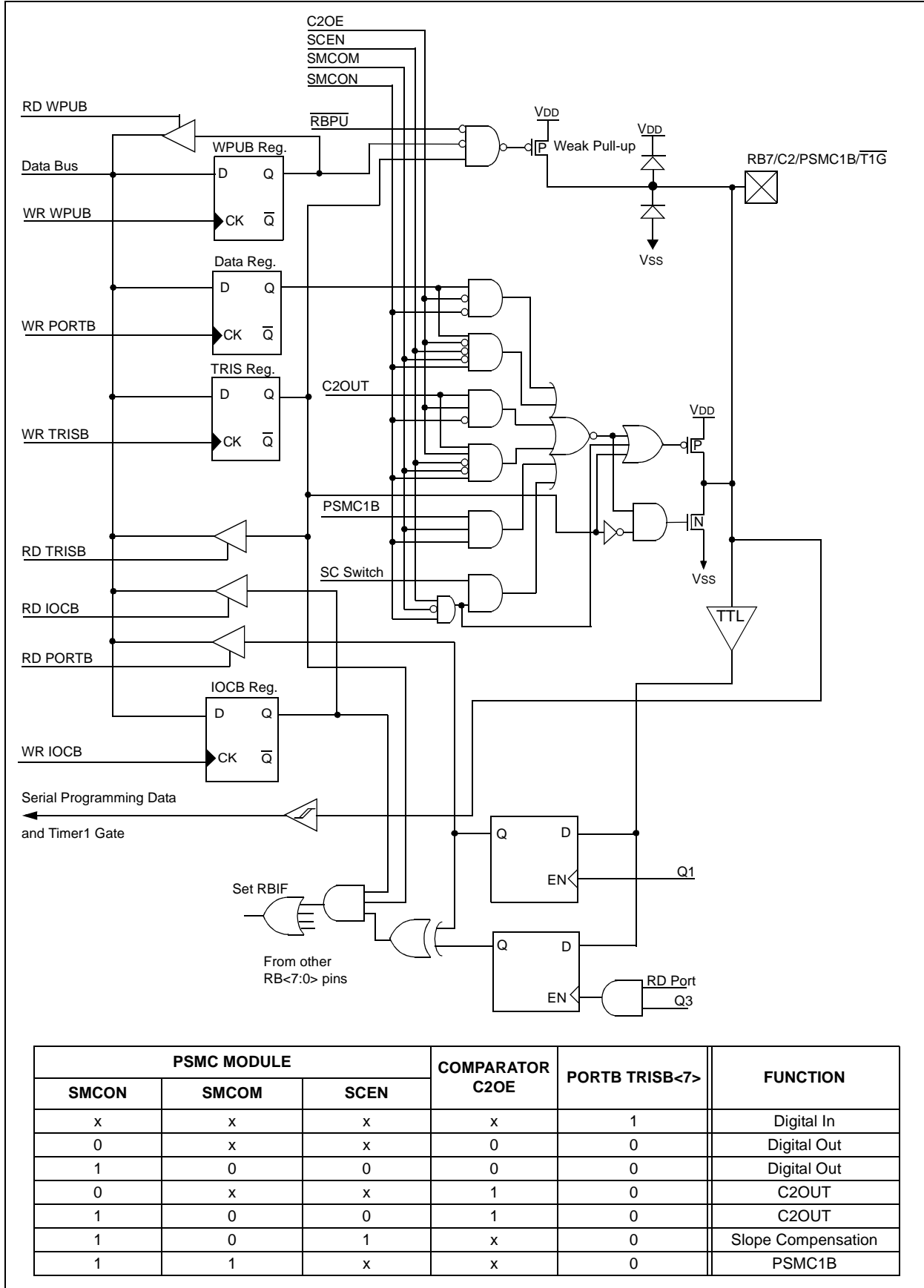


TABLE 3-2: SUMMARY OF REGISTERS ASSOCIATED WITH PORTB

Address	Name	Bit 7	Bit 6	Bit 5	Bit 4	Bit 3	Bit 2	Bit 1	Bit 0	Value on: POR, BOR	Value on all other RESETS
06h	PORTB	RB7	RB6	RB5	RB4	RB3	RB2	RB1	RB0	xxxx 0000	uuuu 0000
86h	TRISB	PORTB Data Direction Register								1111 1111	1111 1111
81h	OPTION_REG	$\overline{\text{RBP}}\text{U}$	INTEDG	T0CS	T0SE	PSA	PS2	PS1	PS0	1111 1111	1111 1111
95h	WPUB	PORTB Weak Pull-up Control								1111 1111	1111 1111
96h	IOCB	PORTB Interrupt-on-Change Control								1111 0000	1111 0000
9Dh	ANSEL	AN7	AN6	AN5	AN4	AN3	AN2	AN1	AN0	1111 1111	1111 1111

Legend: x = unknown, u = unchanged, - = unimplemented, read as '0'. Shaded cells are not used by PORTB.

PIC16C781/782

NOTES:

4.0 PROGRAM MEMORY READ (PMR)

Program memory is readable during normal operation (full VDD range). It is read by indirect addressing through the following Special Function Registers:

- PMCON1: Control
- PMDATH: Data High
- PMDATL: Data Low
- PMADRH: Address High
- PMADRL: Address Low

When interfacing to the program memory block, the PMDATH and PMDATL registers form a 2-byte word, which holds the 14-bit data. The PMADRH and PMADRL registers form a 2-byte word, which holds the 12-bit address of the program memory location being accessed. Mid-range devices have up to 8K words of program EPROM with an address range from 0h to

3FFFh. When the device contains less memory than the full address range of the PMADRH:PMADRL registers, the Most Significant bits of the PMADRH register are ignored.

4.1 PMCON1 Register

PMCON1 is the control register for program memory accesses.

Control bit RD initiates a read operation. This bit cannot be cleared, only set, in software. It is cleared in hardware at completion of the read operation.

4.2 PMDATH and PMDATL Registers

The PMDATH:PMDATL registers are loaded with the contents of program memory addressed by the PMADRH and PMADRL registers upon completion of a Program Memory Read command.

REGISTER 4-1: PROGRAM MEMORY READ CONTROL REGISTER 1 (PMCON1: 18Ch)

R-1	U-0	U-0	U-0	U-0	U-0	U-0	R/S-0
Reserved	—	—	—	—	—	—	RD
bit7							bit0

bit 7 **Reserved:** Read as '1'

bit 6-1 **Unimplemented:** Read as '0'

bit 0 **RD:** Read Control bit

1 = Initiates a Program memory read (read takes 2 cycles, RD is cleared in hardware)

0 = Reserved

Legend:							
S = Settable bit							
R = Readable bit		W = Writable bit		U = Unimplemented bit, read as '0'			
- n = Value at POR		'1' = Bit is set		'0' = Bit is cleared		x = Bit is unknown	

REGISTER 4-2: PROGRAM MEMORY DATA HIGH (PMDATH: 10Eh)

U-0	U-0	R/W-0	R/W-0	R/W-0	R/W-0	R/W-0	R/W-0
—	—	PMD13	PMD12	PMD11	PMD10	PMD9	PMD8
bit7							bit0

bit 7-6 **Unimplemented:** Read as '0'

bit 5-0 **PMD<13:8>:** Program Memory Data bits

The value of the program memory word pointed to by PMADRH and PMADRL after a program memory read command.

Legend:							
R = Readable bit		W = Writable bit		U = Unimplemented bit, read as '0'			
- n = Value at POR		'1' = Bit is set		'0' = Bit is cleared		x = Bit is unknown	

PIC16C781/782

REGISTER 4-3: PROGRAM MEMORY DATA LOW (PMDATL: 10Ch)

R/W-0	R/W-0	R/W-0	R/W-0	R/W-0	R/W-0	R/W-0	R/W-0
PMD7	PMD6	PMD5	PMD4	PMD3	PMD2	PMD1	PMD0

bit7 bit0

bit 7-0 **PMD<7:0>**: Program Memory Data bits
 The value of the program memory word pointed to by PMADRH and PMADRL after a program memory read command.

Legend:			
R = Readable bit	W = Writable bit	U = Unimplemented bit, read as '0'	
- n = Value at POR	'1' = Bit is set	'0' = Bit is cleared	x = Bit is unknown

REGISTER 4-4: PROGRAM MEMORY ADDRESS HIGH (PMADRH: 10Fh)

U-0	U-0	U-0	R/W-x	R/W-x	R/W-x	R/W-x	R/W-x
—	—	—	Reserved	Reserved	PMA10	PMA9	PMA8

bit7 bit0

bit 7-5 **Unimplemented**: Read as '0'
 bit 4-3 **Reserved**: Read state is not guaranteed
 bit 2-0 **PMA<10:8>**: PMR Address bits

Legend:			
R = Readable bit	W = Writable bit	U = Unimplemented bit, read as '0'	
- n = Value at POR	'1' = Bit is set	'0' = Bit is cleared	x = Bit is unknown

REGISTER 4-5: PROGRAM MEMORY ADDRESS LOW (PMADRL: 10Dh)

R/W-x	R/W-x	R/W-x	R/W-x	R/W-x	R/W-x	R/W-x	R/W-x
PMA7	PMA6	PMA5	PMA4	PMA3	PMA2	PMA1	PMA0

bit7 bit0

bit 7-0 **PMA<7:0>**: PMR Address bits

Legend:			
R = Readable bit	W = Writable bit	U = Unimplemented bit, read as '0'	
- n = Value at POR	'1' = Bit is set	'0' = Bit is cleared	x = Bit is unknown

4.3 Reading the EPROM Program Memory

To read a program memory location, the user must write 2 bytes of the address to the PMADRH and PMADRL registers, then set control bit RD (PMCON1<0>). Once the read control bit is set, the Program Memory Read (PMR) controller uses the second instruction cycle after to read the data. This causes the second instruction immediately following the “BSF PMCON1,RD” instruction to be ignored. The data is available, in the very next cycle, in the PMDATH and PMDATL registers. Therefore, it can be read as 2 bytes

in the following instructions. PMDATH and PMDATL registers hold this value until another read or until RESET.

Note 1: Interrupts must be disabled during the time from setting PMCON1<0> (RD) to the second instruction thereafter.

2: The following instructions should not be used following the start of a PMR read cycle: CALL, GOTO, BTFSS, BTFSC, RETFIE, RETURN, SLEEP.

EXAMPLE 4-1: OTP PROGRAM MEMORY READ

```
;* This code block will read 1 word of program
;* memory at the memory address:
;* PROG_ADDR_HI : PROG_ADDR_LO
;* data will be returned in the variables;
;*   PROG_DATA_HI, PROG_DATA_LO

BANKSEL    PMADRL        ; Select Bank 2
MOVLW     PROG_ADDR_LO  ;
MOVWF     PMADRL        ; Store LSB of address
MOVLW     PROG_ADDR_HI  ;
MOVWF     PMADRH        ; Store MSB of address

BANKSEL    PMCON1       ; Select Bank 3
CLEAR    GIE
BCF      INTCON, GIE    ; Turn off INTs
BSF      PMCON1,RD     ; Initiate read
NOP      ; Executed (Fig 4-1)
NOP      ; Ignored (Fig 4-1)
BSF      INTCON, GIE    ; Turn on INTs
MOVF     PMDATL,W      ; Get LSB of word
MOVWF    PROG_DATA_LO
MOVF     PMDATH,W      ; Get MSB of word
MOVWF    PROG_DATA_HI
```

PIC16C781/782

4.4 Program Memory Read With Code Protect Set

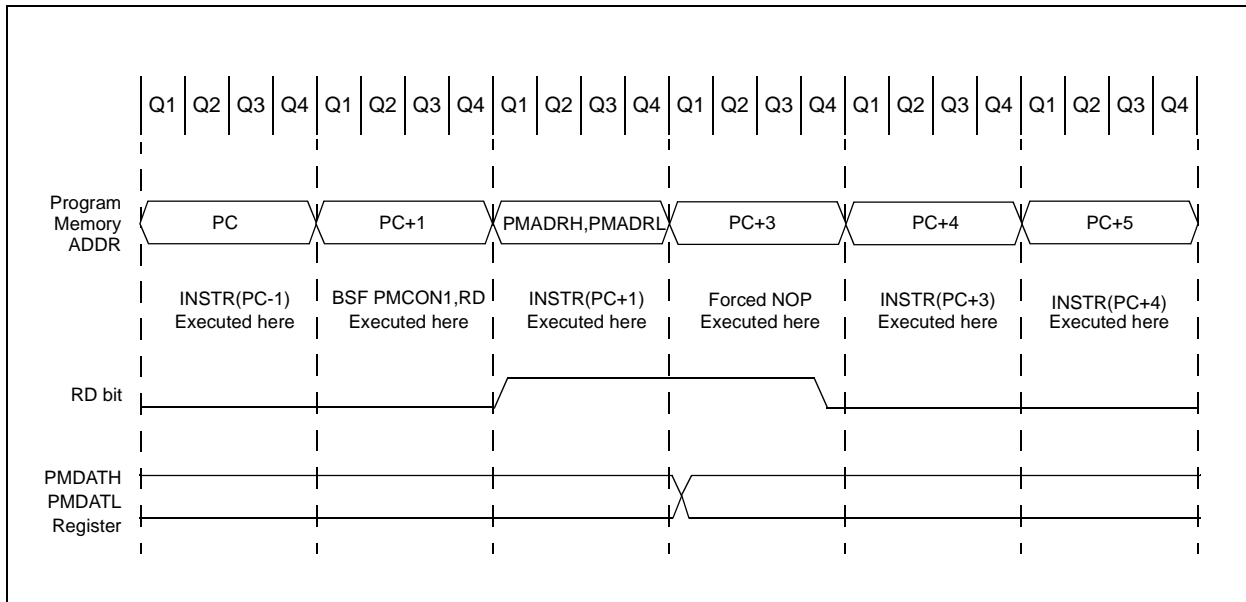
When the device is code protected, the CPU can still perform the program memory read function.

TABLE 4-1: SUMMARY OF REGISTERS ASSOCIATED WITH PMR

Address	Name	Bit 7	Bit 6	Bit 5	Bit 4	Bit 3	Bit 2	Bit 1	Bit 0	Value on: POR, BOR	Value on all other RESETS
10Ch	PMDATL	PMD7	PMD6	PMD5	PMD4	PMD3	PMD2	PMD1	PMD0	0000 0000	0000 0000
10Dh	PMADRL	PMA7	PMA6	PMA5	PMA4	PMA3	PMA2	PMA1	PMA0	xxxx xxxx	uuuu uuuu
10Eh	PMDATH	—	—	PMD13	PMD12	PMD11	PMD10	PMD9	PMD8	--00 0000	--00 0000
10Fh	PMADRH	—	—	—	Reserved	Reserved	PMA10	PMA9	PMA8	---x xxxx	---u uuuu
18Ch	PMCON1	Reserved	—	—	—	—	—	—	RD	1--- ---0	1--- ---0

Legend: x = unknown, u = unchanged, - = unimplemented, read as '0'. Shaded cells are not used by PMR.

FIGURE 4-1: PROGRAM MEMORY READ CYCLE EXECUTION



5.0 TIMER0 MODULE

The Timer0 module timer/counter has the following features:

- 8-bit timer/counter
- Readable and writable
- Internal or external clock select
- Edge select for external clock
- 8-bit software programmable prescaler
- Interrupt on overflow from FFh to 00h

Figure 5-1 is a simplified block diagram of the Timer0 module.

Additional information on timer modules is available in the PICmicro™ Mid-Range Reference Manual, (DS33023).

5.1 Timer0 Operation

Timer0 can operate as either a timer or a counter.

Programming Timer0 is via the OPTION register (see Register 2-2).

Timer0 mode is selected by clearing/setting the bit T0CS (OPTION_REG<5>). In Timer mode (T0CS = 0), the Timer0 module increments every instruction cycle (without prescaler). If the TMR0 register is written, the increment is inhibited for the following two instruction cycles. The user can work around this by writing an adjusted value to the TMR0 register.

Counter mode is selected by setting bit T0CS (OPTION_REG<5>). In Counter mode, Timer0 increments either on every rising, or falling edge of pin RA4/T0CKI. The incrementing edge is determined by the Timer0 Source Edge Select bit T0SE (OPTION_REG<4>). Clearing bit T0SE selects the rising edge, setting selects the falling edge. Restrictions on the external clock input are discussed below.

When an external clock input is used for Timer0, it must meet certain requirements. The requirements ensure the external clock can be synchronized with the internal system clock. Also, there is a delay in the actual incrementing of Timer0 after synchronization.

Additional information on external clock requirements is available in the PICmicro™ Mid-Range Reference Manual, (DS33023).

EXAMPLE 5-1: INITIALIZING TIMER0

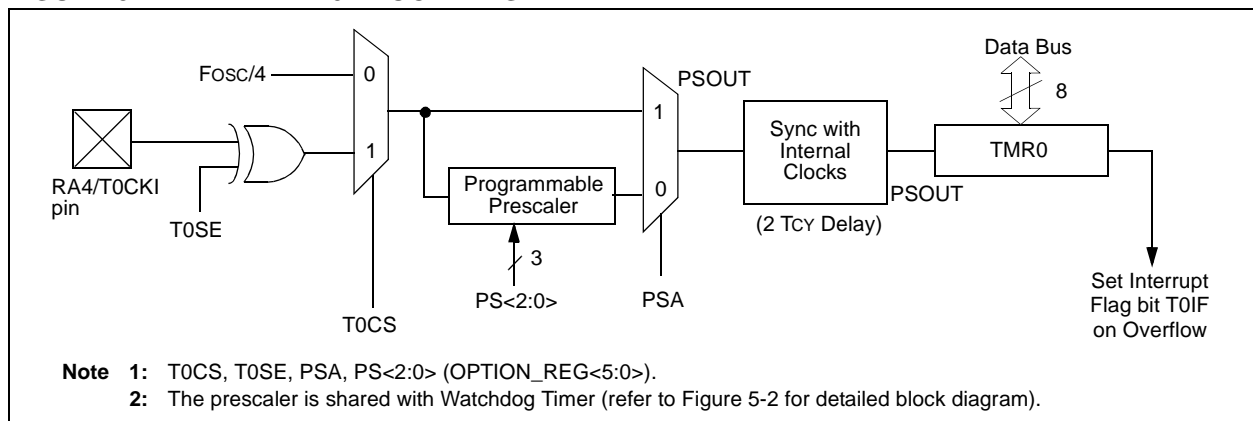
```

;* This code block will configure Timer0
;* for Polling, internal clock & 1:16
;* prescaler
;*
;* Wait for TMR0 overflow code included
BANKSEL    TMR0        ; Select Bank 0
CLRF      TMR0        ; Clear Timer0
                        ; Register

BANKSEL    OPTION_REG  ; Select Bank 1

MOVLW     B'11000011'  ; INT on L2H
MOVWF     OPTION_REG  ; Internal clk,
                        ; pscaler 1:16
*****
;* Wait for TMR0 overflow
;*
T0_OVFL_WAIT
TBFSS     INTCON,T0IF  ; Check for TMR0
                        ; overflow
GOTO     T0_OVFL_WAIT ; If clear, test
                        ; again
BCF      INTCON,T0IF  ; Clear interrupt
    
```

FIGURE 5-1: TIMER0 BLOCK DIAGRAM



PIC16C781/782

5.2 Prescaler

An 8-bit counter is available as a prescaler for the Timer0 module, or as a postscaler for the Watchdog Timer, respectively (Figure 5-2). For simplicity, this counter is referred to as “prescaler” throughout this data sheet.

Note: There is only one prescaler available which is mutually exclusively shared between the Timer0 module and the Watchdog Timer. Thus, a prescaler assignment for the Timer0 module means that there is no prescaler for the Watchdog Timer, and vice-versa.

The prescaler is not readable or writable.

The PSA and PS<2:0> bits (OPTION_REG<3:0>) determine the prescaler assignment and prescale ratio.

Clearing bit PSA assigns the prescaler to the Timer0 module. When the prescaler is assigned to the Timer0 module, prescale values of 1:2, 1:4, ..., 1:256 are selectable.

Setting bit PSA assigns the prescaler to the Watchdog Timer (WDT). When the prescaler is assigned to the WDT, prescale values of 1:1, 1:2, ..., 1:128 are selectable.

When assigned to the Timer0 module, all instructions writing to the TMR0 register (e.g., CLRF TMR0, MOVWF TMR0, BSF TMR0, x...etc.) will clear the prescaler. When assigned to WDT, a CLRWDT instruction clears the prescaler along with the WDT.

Note: Writing to TMR0 when the prescaler is assigned to Timer0 clears the prescaler count, but does not change the prescaler assignment.

5.2.1 SWITCHING PRESCALER ASSIGNMENT

The prescaler assignment is fully under software control, i.e., it can be changed “on-the-fly” during program execution.

Note: To avoid an unintended device RESET, a specific instruction sequence (shown in the PICmicro™ Mid-Range Reference Manual, DS33023) must be executed when changing the prescaler assignment from Timer0 to the WDT. This sequence must be followed even if the WDT is disabled.

5.3 Timer0 Interrupt

The TMR0 interrupt is generated when the TMR0 register overflows from FFh to 00h. This overflow sets bit T0IF (INTCON<2>). The interrupt can be masked by clearing bit T0IE (INTCON<5>). Bit T0IF must be cleared in software by the Timer0 module Interrupt Service Routine before re-enabling this interrupt. The TMR0 interrupt cannot awaken the processor from SLEEP, since the timer is shut-off during SLEEP.

5.4 Effects of RESET

A device RESET will program Timer0 for an external clock input on RA4/T0CKI, Hi-Low edge, and no prescaler. The TMR0 register is not cleared.

FIGURE 5-2: BLOCK DIAGRAM OF THE TIMER0/WDT PRESCALER

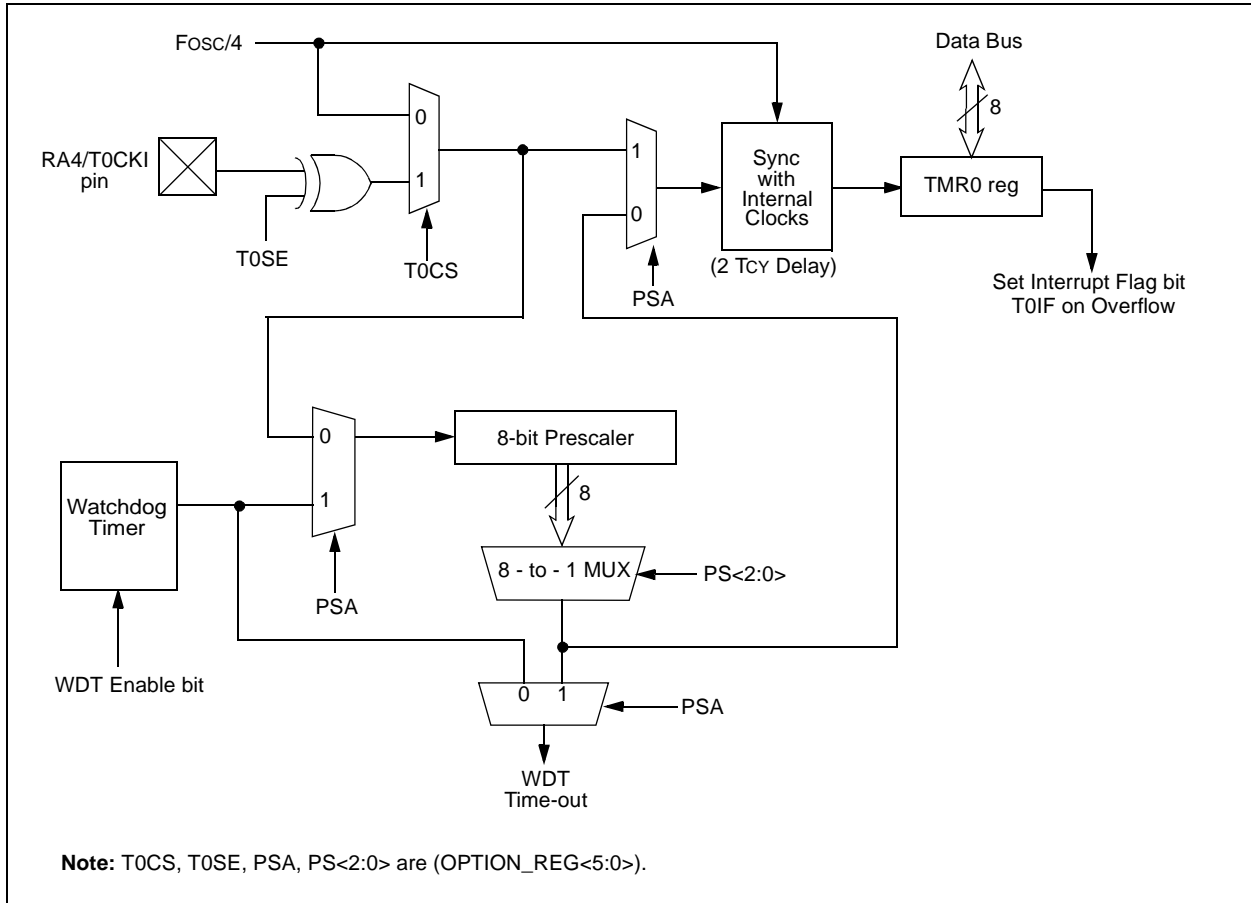


TABLE 5-1: REGISTERS ASSOCIATED WITH TIMER0

Address	Name	Bit 7	Bit 6	Bit 5	Bit 4	Bit 3	Bit 2	Bit 1	Bit 0	Value on: POR, BOR	Value on all other RESETS
01h,101h	TMR0	Timer0 Register								xxxx xxxx	uuuu uuuu
0Bh,8Bh, 10Bh,18Bh	INTCON	GIE	ADIF	T0IE	INTE	RBIE	T0IF	INTF	RBIF	0000 000x	0000 000u
81h,181h	OPTION_REG	RBP \bar{U}	INTEDG	T0CS	T0SE	PSA	PS2	PS1	PS0	1111 1111	1111 1111

Legend: x = unknown, u = unchanged, - = unimplemented, read as '0'. Shaded cells are not used by Timer0.

PIC16C781/782

NOTES:

6.0 TIMER1 MODULE WITH GATE CONTROL

The Timer1 module timer/counter has the following features:

- 16-bit timer/counter (two 8-bit registers: TMR1H and TMR1L)
- Readable and writable (both registers)
- Internal or external clock select
- Interrupt on overflow from FFFFh to 0000h
- External enable input ($\overline{T1G}$ pin with TMR1GE bit = 1)
- Option for Timer1 to use LP oscillator if device is configured to use INTRC w/o CLKOUT

Timer1 Control register (T1CON) is shown in Register 6-1.

Figure 6-2 is a simplified block diagram of the Timer1 module.

6.1 Timer1 Operation

Timer1 can operate in one of three modes:

1. 16-bit timer with prescaler.
2. 16-bit synchronous counter.
3. 16-bit asynchronous counter.

In Timer mode, Timer1 is incremented on every instruction cycle. In Counter mode, Timer1 is incremented on the rising edge of the external clock input T1CKI (RA6/OSC2/CLKOUT/T1CKI). In addition, the Counter mode clock can be synchronized to the microcontroller clock or run asynchronously.

In Counter and Timer modes, the counter/timer clock can be gated by the $\overline{T1G}$ input.

If an external clock oscillator is needed (and the microcontroller is using INTRC w/o CLKOUT), Timer1 can use the LP oscillator as a clock source.

Note 1: In Counter mode, the counter increments on the rising edge of the clock.

EXAMPLE 6-1: TIMER1 INITIALIZATION

```

;* This code block will configure Timer1 for
;* Polling, Ext gate of int clk (Fosc/4), &
;* 1:1 prescaler.
;*
;* Wait for TMR1 overflow code included
;*
BANKSEL TMR1L          ; Select Bank 0
CLRF    TMR1L          ; Clear TMR1 LSB
CLRF    TMR1H          ; Clear TMR1 MSB
MOVLW   B'01000000'    ; Gate, Ps 1:1
MOVWF   T1CON          ; Int clk
BSF     T1CON,TMR1ON   ; Enable timer

;*****
;* Wait for TMR1 overflow

T1_OVFL_WAIT
BANKSEL PIR1          ; Select Bank 0
T1_WAIT              ;
TBFSS   PIR1,TMR1IF   ; Overflow?
GOTO    T1_WAIT       ; If 0, again

BCF     PIR1,TMR1IF   ; Clear flag
    
```

PIC16C781/782

6.2 Control Register T1CON

Control and configuration of Timer1 is by means of the T1CON register shown in Register 6-1.

Timer1 is enabled by setting the TMR1ON bit (T1CON<0>). Clearing TMR1ON stops the timer, but does not clear the Timer1 register.

The TMR1CS bit (T1CON<1>) determines the Timer mode. When TMR1CS is set, the timer is configured as a counter and receives its clock from RA6/OSC2/CLKOUT/T1CKI. When cleared, the timer is configured as a timer and its clock is derived from FOSC/4.

The $\overline{T1SYNC}$ bit (T1CON<2>) determines Timer1's synchronization. If cleared, the timer clock is synchronized to the system clock. If set, the timer is asynchronous.

The Timer1 clock gate function is enabled by setting the TMR1GE bit (T1CON<6>). When TMR1GE is set, the $\overline{T1G}$ input will control the clock input to the timer/counter. A low on the $\overline{T1G}$ input will cause Timer1 to increment at the clock rate, a high will hold the timer at its present value.

The T1OSCEN bit (T1CON<3>) enables the LP oscillator as a clock source for Timer1. This mode is a replacement for the regular external oscillator.

T1CKPS<1:0> determines the prescaler value for the timer. Available prescaler values are:

T1CKPS<1:0>		Prescaler Value
Bit 1	Bit 0	
1	1	1:8
1	0	1:4
0	1	1:2
0	0	1:1

Note: To use the LP oscillator as the Timer1 oscillator:

1. TMR1CS must be set.
2. T1OSCEN must be set.
3. The Configuration Word must select INTRC w/o CLKOUT.

REGISTER 6-1: TIMER1 CONTROL REGISTER (T1CON: ADDRESS 10h)

U-0	R/W-0	R/W-0	R/W-0	R/W-0	R/W-0	R/W-0	R/W-0
—	TMR1GE	T1CKPS1	T1CKPS0	T1OSCEN	$\overline{T1SYNC}$	TMR1CS	TMR1ON
bit 7							bit 0

- bit 7 **Unimplemented:** Read as '0'
- bit 6 **TMR1GE:** Timer1 Gate Enable bit
If TMR1ON = 0:
 This bit is ignored
If TMR1ON = 1:
 1 = Timer1 is on if $\overline{T1G}$ pin is low
 0 = Timer1 is on
- bit 5-4 **T1CKPS<1:0>:** Timer1 Input Clock Prescale Select bits
 11 = 1:8 Prescale value
 10 = 1:4 Prescale value
 01 = 1:2 Prescale value
 00 = 1:1 Prescale value
- bit 3 **T1OSCEN:** LP Oscillator Enable Control bit
If INTRC w/o CLKOUT is selected in the configuration word, oscillator is active:
 1 = LP oscillator is enabled for Timer1 clock
 0 = LP oscillator is off
Else:
 This bit is ignored
- bit 2 **T1SYNC:** Timer1 External Clock Input Synchronization Control bit
TMR1CS = 1:
 1 = Do not synchronize external clock input
 0 = Synchronize external clock input
TMR1CS = 0:
 This bit is ignored. Timer1 uses the internal clock when TMR1CS = 0.
- bit 1 **TMR1CS:** Timer1 Clock Source Select bit
 1 = External clock from pin RA6/OSC2/CLKOUT/T1CKI (on the rising edge)
 0 = Internal clock (FOSC/4)
- bit 0 **TMR1ON:** Timer1 On bit
 1 = Enables Timer1
 0 = Stops Timer1

Legend:

R = Readable bit	W = Writable bit	U = Unimplemented bit, read as '0'
- n = Value at POR	'1' = Bit is set	'0' = Bit is cleared x = Bit is unknown

PIC16C781/782

FIGURE 6-1: TIMER1 INCREMENTING EDGE

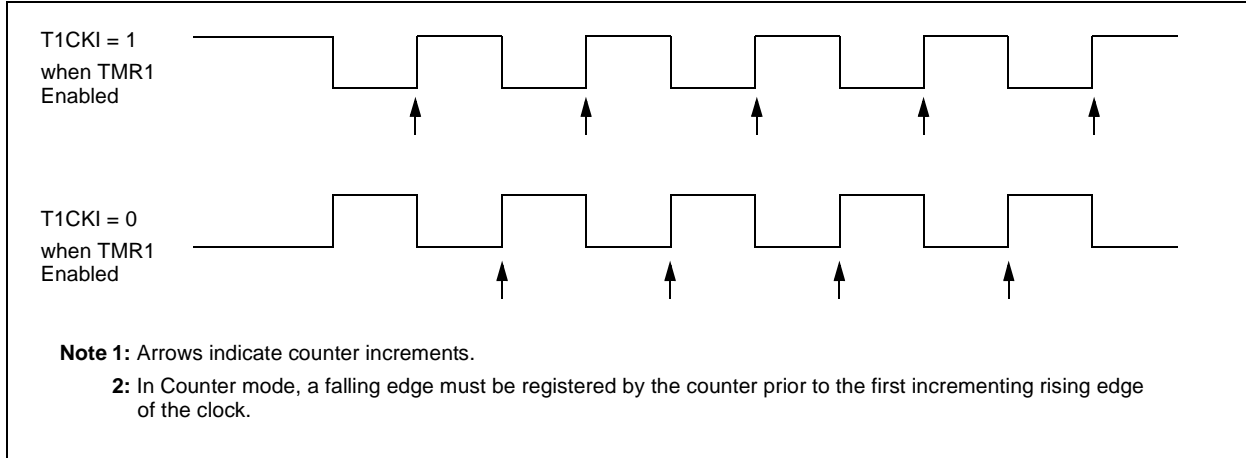
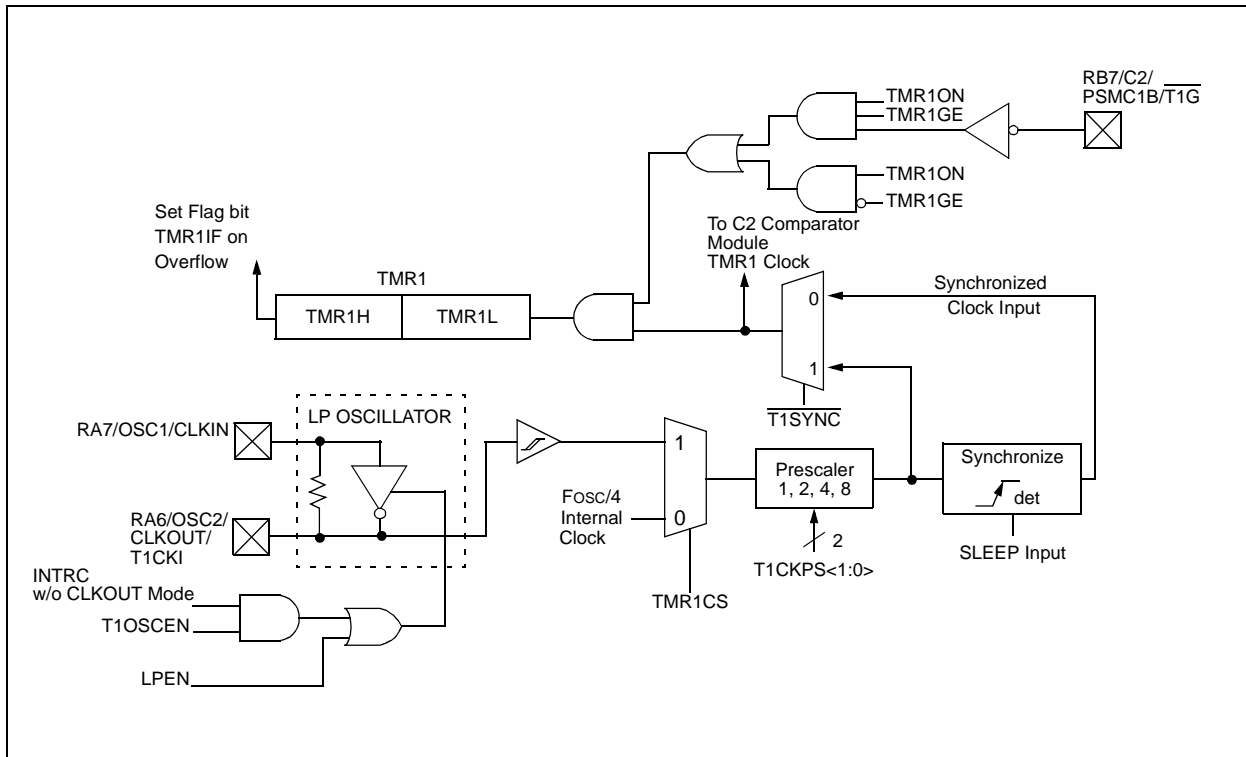


FIGURE 6-2: TIMER1 ON THE PIC16C781/782 BLOCK DIAGRAM



6.3 Timer1 Oscillator for the PIC16C781/782

When the microcontroller is using INTRC w/o CLKOUT, Timer1 can enable and use the LP oscillator as the Timer1 oscillator. When enabled, Timer1 oscillator operation is solely controlled by the T1OSCEN bit. The oscillator will operate independently of the TMR1ON bit, allowing the programmer to start and stop the Timer/Counter using the TMR1ON bit. The oscillator will also operate during SLEEP, allowing continuous timekeeping with Timer1. The electrical requirements for the LP oscillator, when used as the Timer1 oscillator, are the same as when the oscillator is used in LP mode.

Note: The oscillator requires a startup and stabilization time before use. Therefore, T1OSCEN should be set, and a suitable delay observed, prior to enabling Timer1 (see Section 14.2).

6.4 Timer1 Interrupt

The TMR1 register pair (TMR1H and TMR1L) increments from 0000h to FFFFh and then rolls over to 0000h. When Timer1 rolls over, the TMR1IF bit (PIR1<0>) is set. To enable an interrupt, the TMR1IE bit (PIE1<0>), the GIE (INTCON<7>) and the PEIE bit (INTCON<6>) must be set prior to rollover. To clear the interrupt, the TMR1IF must be cleared by software prior to re-enabling interrupts.

Note: When enabling the Timer1 interrupt, the user should clear both TMR1 registers and the TMR1IF prior to enabling interrupts.

6.5 Effects of RESET

Only POR and BOR Resets clear T1CON, disabling Timer1. All other RESETS do not affect Timer1.

TABLE 6-1: SUMMARY OF REGISTERS ASSOCIATED WITH TIMER1

Address	Name	Bit 7	Bit 6	Bit 5	Bit 4	Bit 3	Bit 2	Bit 1	Bit 0	Value on: POR, BOR	Value on all other RESETS
0Bh	INTCON	GIE	PEIE	T0IE	INTE	RBIE	T0IF	INTF	RBIF	0000 000x	0000 000u
0Ch	PIR1	LVDIF	ADIF	C2IF	C1IF	—	—	—	TMRIF	0000 ---0	0000 ---0
8Ch	PIE1	LVDIE	ADIE	C2IE	C1IE	—	—	—	TMRIE	0000 ---0	0000 ---0
0Eh	TMR1L	Least Significant Byte of the 16-bit TMR1 Register								xxxx xxxx	uuuu uuuu
0Fh	TMR1H	Most Significant Byte of the 16-bit TMR1 Register								xxxx xxxx	uuuu uuuu
10h	T1CON	—	TMR1GE	T1CKPS1	T1CKPS0	T1OSCEN	T1SYNC	TMR1CS	TMR1ON	-000 0000	-uuu uuuu

Legend: x = unknown, u = unchanged, - = unimplemented, read as '0'. Shaded cells are not used by Timer1.

PIC16C781/782

NOTES:

7.0 VOLTAGE REFERENCE MODULE (VR)

The Voltage Reference module provides an on-chip nominal 3.072V reference voltage for the following:

- ADC converter
- DAC converter
- VR output on the RB0/INT/AN4/VR pin

The source for the reference voltage comes from a bandgap reference.

The control register for this module is the REFCON register shown in Register 7-1.

Note 1: If the VR module is to be used by the DAC, ADC, or VR output, the VR module must be enabled using VREN (REFCON<3>).

2: When VREN = 1 and VROE = 1, the output driver for RB0/INT/AN4/VR will be driven tri-state and the analog driver for the VR output will be enabled. A read of RB0 will return a '0'.

Setting the VREN flag (REFCON<3>), enables the module. Following initial start-up, the module should be allowed to stabilize for best accuracy. See Section 17.0 for information concerning stabilization times and conditions.

To route the reference voltage to the external RB0/INT/AN4/VR pin, the VROE flag (REFCON<2>) must be set.

7.1 Effects of RESET

A device RESET clears the REFCON register, disabling the voltage reference.

7.2 Registers Associated with VR

A summary of the registers associated with VR is shown in Table 7-1.

REGISTER 7-1: VOLTAGE REFERENCE CONTROL REGISTER (REFCON: 9Bh)

	U-0	U-0	U-0	U-0	R/W-0	R/W-0	U-0	U-0
	—	—	—	—	VREN	VROE	—	—
	bit 7				bit 0			
bit 7-4	Unimplemented: Read as '0'							
bit 3	VREN: Voltage Reference Enable bit (VR = 3.072V nominal) 1 = VR reference is enabled 0 = VR reference is disabled							
bit 2	VROE: Voltage Reference Output Enable bit <u>If VREN = 1:</u> 1 = Enabled, VR voltage reference is output on RB0 0 = Voltage reference is not available externally <u>If VREN = 0:</u> This bit is ignored							
bit 1-0	Unimplemented: Read as '0'							

Legend:

R = Readable bit W = Writable bit U = Unimplemented bit, read as '0'
- n = Value at POR '1' = Bit is set '0' = Bit is cleared x = Bit is unknown

TABLE 7-1: SUMMARY OF REGISTERS ASSOCIATED WITH VR

Address	Name	Bit 7	Bit 6	Bit 5	Bit 4	Bit 3	Bit 2	Bit 1	Bit 0	Value on: POR, BOR	Value on all other RESETS
09Bh	REFCON	—	—	—	—	VREN	VROE	—	—	---- 00--	---- 00--

PIC16C781/782

NOTES:

8.0 PROGRAMMABLE LOW VOLTAGE DETECT MODULE (PLVD)

The PLVD module monitors the VDD power supply of the microcontroller and signals the microcontroller whenever VDD drops below its trip voltage. The signal acts as an 'early warning' of power-down, allowing the microcontroller to finish any critical 'housekeeping' tasks prior to completing power-down.

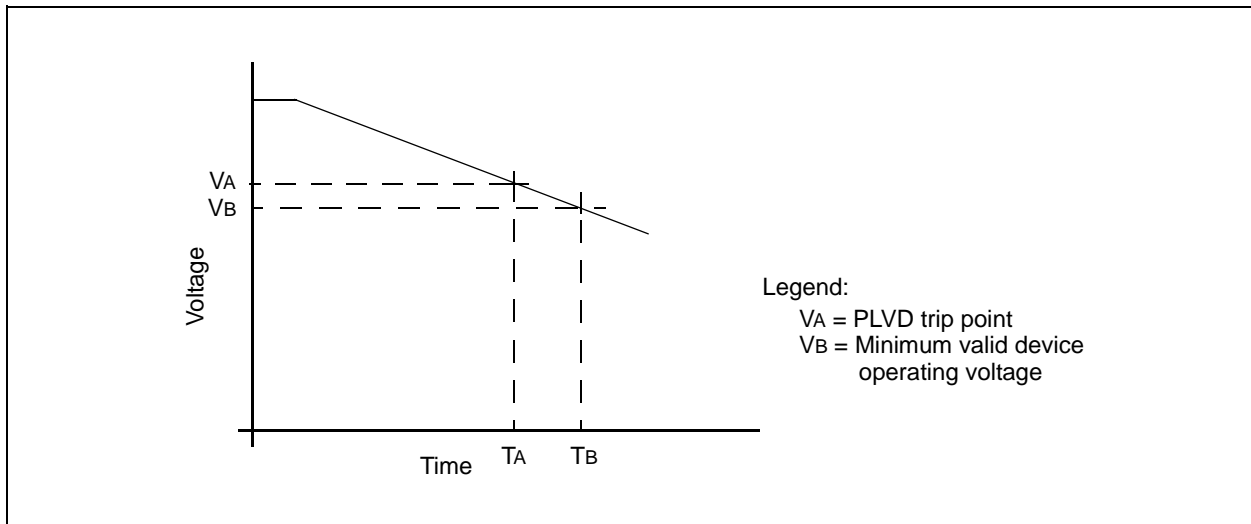
Figure 8-1 demonstrates a potential application of the PLVD module (typical battery operation). At time TA, the VDD supply voltage (VA) has fallen below the PLVD reference voltage. The PLVD voltage comparator then sets the LVDIF bit (PIR1<7>), indicating a low voltage

condition. The time between TA and TB is then available to the microcontroller for completing a 'graceful' power-down before VDD falls below VB.

Figure 8-2 is a simplified block diagram for the PLVD module, showing the VDD resistor ladder, control register, and voltage comparator.

Note: For low power applications, current drain can be minimized by enabling the module only during regular polled testing. When not in use, the module is disabled by clearing the LVDEN bit (LVDCON<4>), which also powers down the resistor ladder between VDD and Vss.

FIGURE 8-1: TYPICAL LOW VOLTAGE DETECT APPLICATION



8.1 Control Register

The PLVD module is controlled via the LVDCON register shown in Register 8-1.

To enable the module for testing, the LVDEN bit (LVDCON<4>) must be set. This will enable the on-board voltage reference and connect the resistor ladder between VDD and Vss. Clearing LVDEN will disable the module and disconnect the resistor ladder from Vss.

The trip voltage is set by programming the LVDL<3:0> bit (LVDCON<3:0>). The voltages available are listed in Register 8-1. Note that voltages below 2.5V and above 4.75V are not available and should not be used.

The BGST bit (LVDCON<5>) is a status bit indicating that the internal reference voltage bandgap has stabilized. No test should be performed until this bit is set.

The low voltage output flag for the PLVD module is the LVDIF bit (PIR1<6>).

PIC16C781/782

8.2 Operation

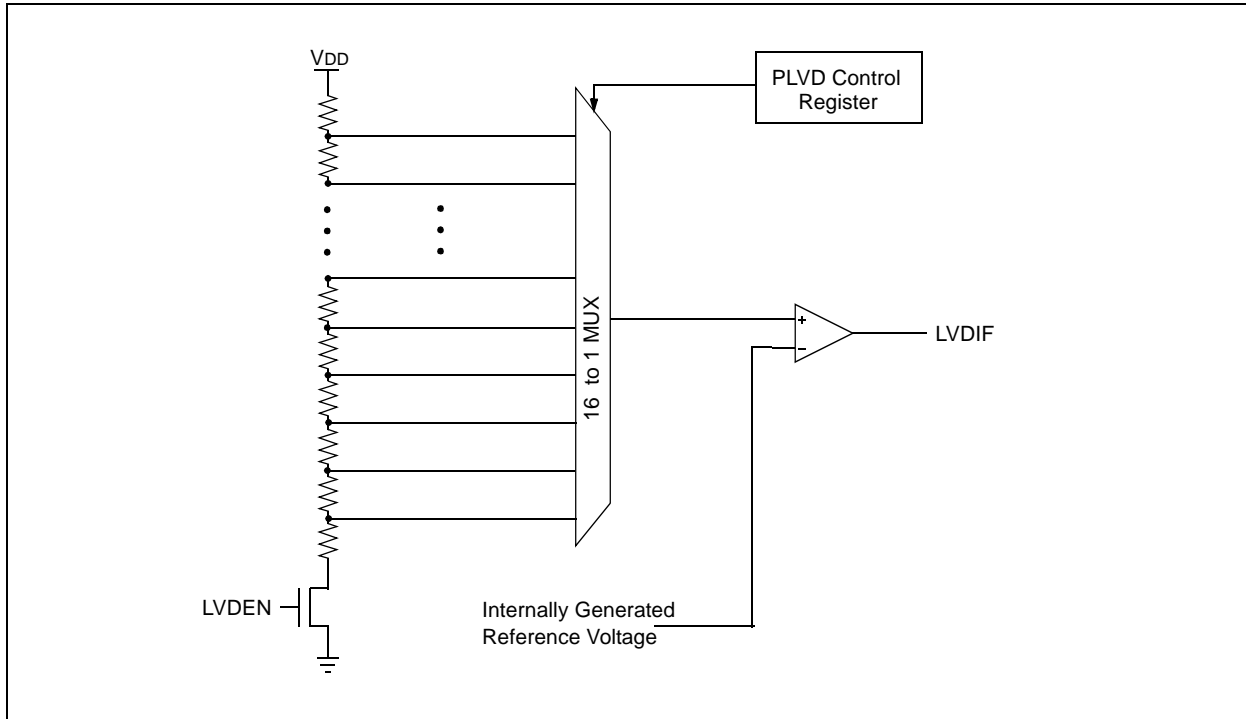
The PLVD indicates a low voltage condition by setting the LVDIF bit in the PIR1 register. Once set by the PLVD module, the LVDIF bit will remain set until cleared by software. For proper indication of a low voltage condition, the user should clear this bit prior to testing.

To test for a low voltage condition, the PLVD module compares the divided output of VDD against an internal bandgap reference. The PLVD module automatically

enables this reference whenever it is enabled and provides a stability bit, BGST, to indicate when it has stabilized. The bandgap reference is also enabled by other modules within the PIC16C781/782 as part of their operation. Other modules using the bandgap include the following:

- VR module
- BOR module
- OPA calibration module

FIGURE 8-2: LOW VOLTAGE DETECT BLOCK DIAGRAM



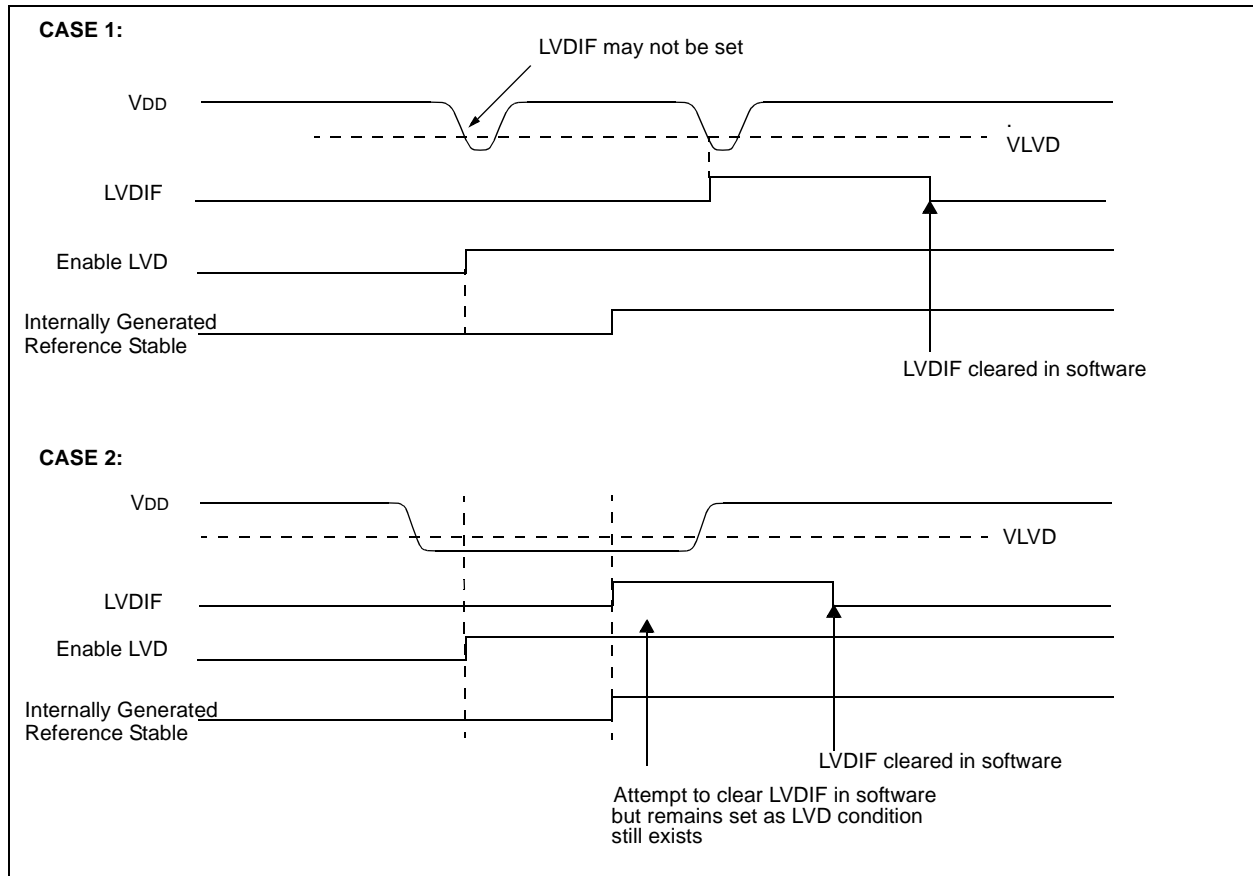
If another module has enabled the bandgap, then the reference will be stable when the PLVD module is enabled and the BGST flag can be ignored. However, if the bandgap has not been previously enabled, the LVDIF bit will not be valid until the BGST bit is set (see Figure 8-3). Systems using the PLVD interrupt should not enable the interrupt until after the reference is stable to prevent spurious interrupts.

8.2.1 SETTING UP THE PLVD MODULE

The following steps are needed to set up the PLVD Module:

1. Write the value to the LV3:LV0 bits (LVDCON register), which selects the desired PLVD Trip Point.
2. Ensure that PLVD interrupts are disabled (the LVDIE bit is cleared, or the GIE bit is cleared).
3. Enable the PLVD module (set the LVDEN bit in the LVDCON register).
4. Wait for the PLVD module to stabilize (the BGST bit to become set).
5. Clear the PLVD interrupt flag, which may have falsely become set until the PLVD module has stabilized (clear the LVDIF bit).
6. Enable the PLVD interrupt (set the LVDIE and the GIE bits).

FIGURE 8-3: LOW VOLTAGE DETECT WAVEFORMS



PIC16C781/782

REGISTER 8-1: PROGRAMMABLE LOW VOLTAGE DETECT REGISTER (LVDCON: 9Ch)

U-0	U-0	R-0	R/W-0	R/W-0	R/W-1	R/W-0	R/W-1	
—	—	BGST	LVDEN	LV3	LV2	LV1	LV0	
bit 7								bit 0

- bit 7-6 **Unimplemented:** Read as '0'
- bit 5 **BGST:** Internal Reference Voltage Stable Flag bit
 1 = Reference is stable
 0 = Reference is not stable
- bit 4 **LVDEN:** Low Voltage Detect Power Enable bit
 1 = Enables PLVD, powers up LVD circuit
 0 = Disables PLVD, powers down LVD circuit.
- bit 3-0 **LV<3:0>:** Low Voltage Detection Limit bits
 1111 = Reserved
 1110 = 4.5V typical
 1101 = 4.2V typical
 1100 = 4.0V typical
 1011 = 3.8V typical
 1010 = 3.6V typical
 1001 = 3.5V typical
 1000 = 3.3V typical
 0111 = 3.0V typical
 0110 = 2.8V typical
 0101 = 2.7V typical
 0100 = 2.5V typical
 0011 = Below valid operating voltage
 0010 = Below valid operating voltage
 0001 = Below valid operating voltage
 0000 = Below valid operating voltage

Legend:

R = Readable bit	W = Writable bit	U = Unimplemented bit, read as '0'
- n = Value at POR	'1' = Bit is set	'0' = Bit is cleared x = Bit is unknown

Example 8-1 shows the configuration of the PLVD module and a sample polling routine to monitor for low voltage conditions.

EXAMPLE 8-1: PLVD EXAMPLE

```

;*****
;* This code block will configure the PLVD for polling
;* and set the trip point for 4.2 to 4.4 volts
;* Includes polling routine
;*

    BANKSEL    LVDCON        ; Select Bank 1
    BCF        PIE1,LVDIE    ; Disable PLVD interrupt
    MOVLW     B'00011101'
    MOVWF     LVDCON        ; Enable PLVD, 4.2-4.4V trip

WRM_UP
    BTFSS     LVDCON,BGST    ;
    GOTO      WRM_UP        ;
    BANKSEL   PIR1          ; Select Bank 0
    BCF      PIR1,LVDIF     ; Clear PLVD interrupt flag

;*****
;* Test for PLVD trip

    BANKSEL   PIR1          ; Select Bank 0
    BTFSC    PIR1,LVDIF     ; Test for PLVD trip
    GOTO     LO_V_DET       ; If tripped save 4 pwrfail
    
```

8.3 Operation During SLEEP

When enabled, the PLVD circuitry continues to operate during SLEEP. If the device voltage crosses the trip point, the LVDIF bit is set and the device awakens from SLEEP. Device execution continues from the interrupt vector address, if interrupts have been globally enabled.

8.4 Effects of a RESET

A device RESET forces all registers to their RESET state. This forces the PLVD module to be disabled.

8.5 Low Voltage Detect Registers

The registers associated with Programmable Low Voltage Detect are shown in Table 8-1.

TABLE 8-1: SUMMARY OF REGISTERS ASSOCIATED WITH LOW VOLTAGE DETECT

Address	Name	Bit 7	Bit 6	Bit 5	Bit 4	Bit 3	Bit 2	Bit 1	Bit 0	Value on: POR, BOR	Value on all other RESETS
09Ch	LVDCON	—	—	BGST	LVDEN	LV3	LV2	LV1	LV0	--00 0101	--00 0101
08Ch	PIE1	LVDIE	ADIE	C2IE	C2IE	—	—	—	TMR1IE	0000 ---0	0000 ---0
08Ch	PIR1	LVDIF	ADIF	C2IF	C2IF	—	—	—	TMR1IF	0000 ---0	0000 ---0

PIC16C781/782

NOTES:

9.0 ANALOG-TO-DIGITAL CONVERTER (ADC) MODULE

The 8-bit ADC module, shown in Figure 9-1, has 10 inputs in the PIC16C781/782:

- 8 external channels, AN<7:0> (RA<3:0> and RB<3:0>)
- 2 internal channels, VR and VDAC

The ADC allows conversion of an analog input signal to a corresponding 8-bit digital value. The desired channel is connected to a Sample-and-Hold by the input multiplexers. The output of the Sample-and-Hold cap-

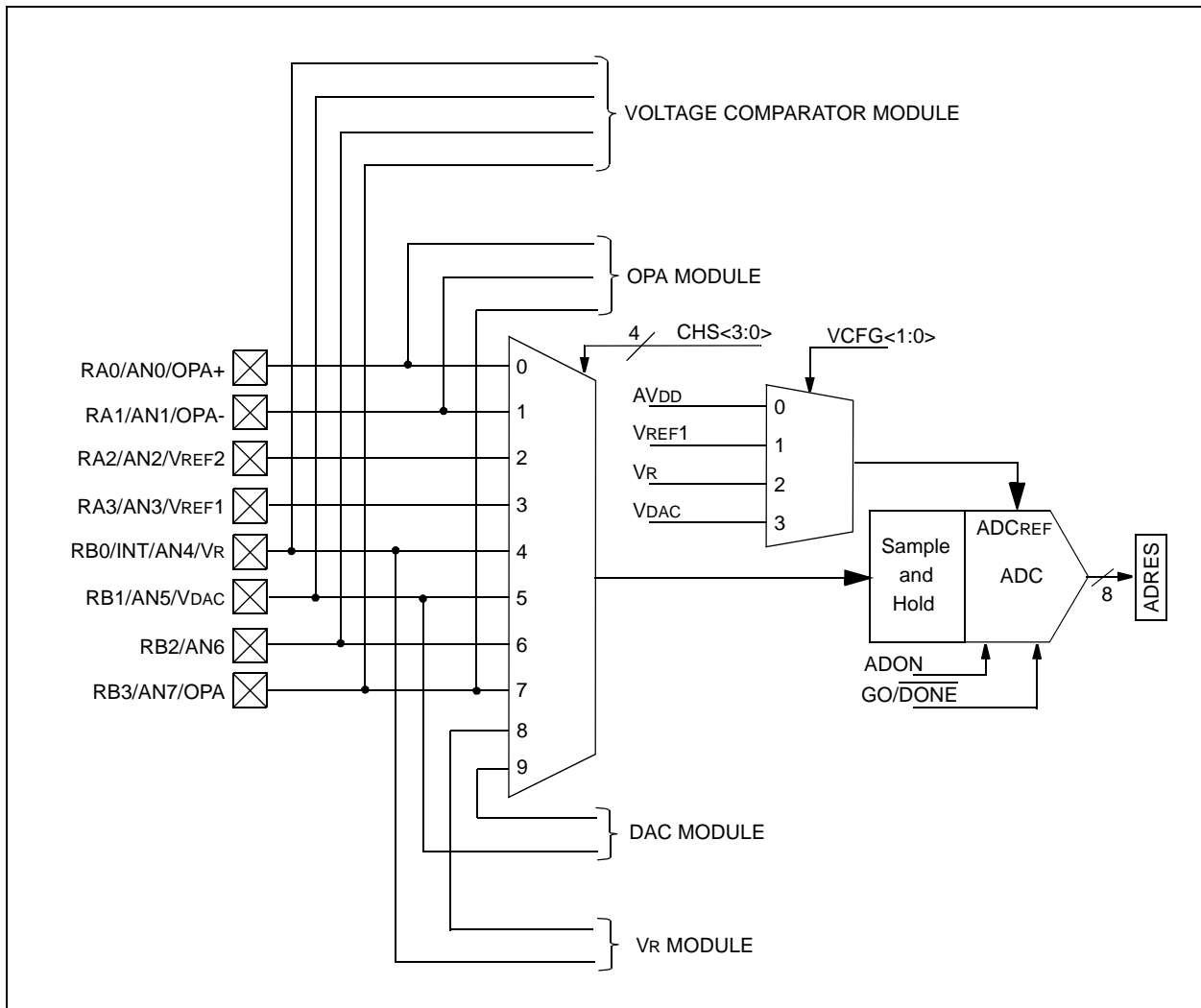
tures a snapshot of the voltage and holds it for the ADC. The ADC then generates the 8-bit result via successive approximation.

The analog reference voltage (ADCREF) is software selectable from the following options:

- The analog positive supply: AVDD
- The reference input for Comparator C1: VREF1
- The Voltage Reference module output: VR
- The DAC Converter module output: VDAC

The ADC has the unique feature of being able to operate while the device is in SLEEP mode. To operate in SLEEP, the ADC conversion clock must be derived from the ADC's dedicated internal RC oscillator.

FIGURE 9-1: ADC MODULE BLOCK DIAGRAM



PIC16C781/782

9.1 Control Registers

The ADC module has three registers. These registers are:

- ADC Result Register: ADRES
- ADC Control Register 0: ADCON0
- ADC Control Register 1: ADCON1

The ADCON0 register, shown in Register 9-1, controls the operations and input channel selection for the ADC module. The ADCON1 register, shown in Register 9-3, selects the voltage reference used by the ADC module. The ADRES register, shown in Register 9-2, holds the 8-bit result of the conversion.

Additional information on using the ADC module can be found in the PICmicro™ Mid-Range MCU Family Reference Manual (DS33023) and in Application Note AN546 (DS00546).

9.1.1 ADCON0 REGISTER

The ADCON0 register, shown in Register 9-1, controls the following:

- Clock source and prescaler
- Input channel
- Conversion start/stop
- Enabling of the ADC module

Setting the ADON bit, ADCON0<0>, enables the ADC module. Clearing ADON disables the module and terminates any conversion in process.

The ADCS<1:0> bits (ADCON0<7:6>) determine the clock source used by the ADC module.

The CHS<3:0> bits (ADCON0<5:3,1>) determine the input channel to the ADC module. CHS<3> specifically determines whether the source is internal or external.

Setting the GO/DONE bit (ADCON0<2>) initiates the conversion process. The ADC clears this bit at the completion of the conversion process.

REGISTER 9-1: ADC CONTROL REGISTER 0 (ADCON0: 1Fh)

R/W-0	R/W-0	R/W-0	R/W-0	R/W-0	R/S-0	R/W-0	R/W-0
ADCS1	ADCS0	CHS2	CHS1	CHS0	GO/DONE	CHS3	ADON
						bit 0	
bit 7							

bit 7-6 **ADCS<1:0>**: ADC Conversion Clock Select bits

- 00 = Fosc/2
- 01 = Fosc/8
- 10 = Fosc/32
- 11 = ADRC (clock derived from a dedicated RC oscillator)

bit 5-3 **CHS<2:0>**: Analog Channel Select bits (select which channel to convert)

If CHS3 = 0:	If CHS3 = 1:
000 = channel 0 (AN0)	000 = VR
001 = channel 1 (AN1)	001 = VDAC
010 = channel 2 (AN2)	010 = Reserved. Do not use.
011 = channel 3 (AN3)	011 = Reserved. Do not use.
100 = channel 4 (AN4)	100 = Reserved. Do not use.
101 = channel 5 (AN5)	101 = Reserved. Do not use.
110 = channel 6 (AN6)	110 = Reserved. Do not use.
111 = channel 7 (AN7)	111 = Reserved. Do not use.

bit 2 **GO/DONE**: ADC Conversion Status bit

- 1 = ADC conversion cycle in progress. Setting this bit starts an ADC conversion cycle.
- 0 = ADC conversion is not in progress (this bit is cleared by hardware when conversion is complete)

bit 1 **CHS3**: Analog Channel Select bit

- 1 = Internal channel selected for conversion
- 0 = External channel selected for conversion

bit 0 **ADON**: ADC On bit

- 1 = ADC enabled
- 0 = ADC disabled

Legend:			
S = Settable bit			
R = Readable bit	W = Writable bit	U = Unimplemented bit, read as '0'	
- n = Value at POR	'1' = Bit is set	'0' = Bit is cleared	x = Bit is unknown

9.1.2 ADCON1 REGISTER

The ADCON1 register, shown in Register 9-3, controls the reference voltage selection for the ADC module.

Bits VCFG<1:0> select the reference voltage (ADCREF).

9.1.3 ADRES REGISTER

The ADRES register, shown in Register 9-2, contains the 8-bit result of the conversion. At the completion of the ADC conversion:

- 8-bit result is loaded into ADRES.
- GO/DONE bit (ADOCN0<2>) is cleared.
- ADC interrupt flag bit ADIF (INTCON<6> and PIR1<6>) are set.
- If the ADC interrupt is enabled, an interrupt is also generated.

REGISTER 9-2: ADC RESULT REGISTER (ADRES: 1Eh)

R/W-x	R/W-x	R/W-x	R/W-x	R/W-x	R/W-x	R/W-x	R/W-x
AD7	AD6	AD5	AD4	AD3	AD2	AD1	AD0
bit 7							bit 0

bit 7-0 **AD<7:0>**: ADC Conversion Results bits

Legend:			
R = Readable bit	W = Writable bit	U = Unimplemented bit, read as '0'	
- n = Value at POR	'1' = Bit is set	'0' = Bit is cleared	x = Bit is unknown

REGISTER 9-3: ADC CONTROL REGISTER 1 (ADCON1: 9Fh)

U-0	U-0	R/W-0	R/W-0	U-0	U-0	U-0	U-0
—	—	VCFG1	VCFG0	—	—	—	—
bit 7							bit 0

bit 7-6 **Unimplemented**: Read as '0'

bit 5-4 **VCFG<1:0>**: Voltage Reference Configuration bits

00 = AVDD
 01 = VREF1
 10 = VR
 11 = VDACC

bit 3-0 **Unimplemented**: Read as '0'

Legend:			
R = Readable bit	W = Writable bit	U = Unimplemented bit, read as '0'	
- n = Value at POR	'1' = Bit is set	'0' = Bit is cleared	x = Bit is unknown

PIC16C781/782

9.2 Configuring the ADC Module

9.2.1 CONFIGURING ANALOG PORT PINS

The ANSEL and TRISB registers control the operation of the ADC port pins. The port pins to be used as analog inputs must have their corresponding TRISB bits set (= 1). The proper ANSEL bits must also be set (analog input) to disable the digital input buffer.

Note 1: The ADC operation is independent of the state of the TRISB or ANSEL bits. These bits must be configured by the firmware prior to initiation of an ADC conversion.

2: When reading the PORTA or PORTB registers, all pins configured as analog input channels will read as a '0'.

3: Analog levels on any pin that is defined as a digital input, including AN<7:0>, may cause the input buffer to consume excess supply current.

9.2.2 CONFIGURING THE REFERENCE VOLTAGES

The VCFG<5:4> bits in the ADCON1 register configure the ADC module reference voltage input, ADCREF. The reference input can come from any of the following:

- Internal voltage reference (VR)
- External comparator C1 reference (VREF1)
- DAC output (VDAC)
- Analog positive supply (AVDD)

If an external reference is chosen for the ADCREF input, the port pin that multiplexes with the incoming external reference must also be configured as an analog input.

9.2.3 SELECTING THE ADC CONVERSION CLOCK

The ADC conversion cycle requires $9.5T_{AD}$. The source of the ADC conversion clock is software selectable. The four possible options for ADC clock are:

- FOSC/2
- FOSC/8
- FOSC/32
- ADRC (clock derived from a dedicated internal RC oscillator)

For correct ADC conversion, the ADC conversion clock (TAD) must be selected to ensure a minimum TAD time of 1.6 μ sec. Table 9-1 shows the resultant TAD times derived from the device operating frequencies and the ADC clock source selected.

TABLE 9-1: TAD vs. DEVICE OPERATING FREQUENCIES: PIC16C781/782

ADC Clock Source (TAD)		Device Frequency			
Operation	ADCS1:ADCS0	20 MHz	5 MHz	1.25 MHz	333.33kHz
2 TOSC	00	100 ns ⁽²⁾	400 ns ⁽²⁾	1.6 s	6 μ s
8 TOSC	01	400 ns	1.6 μ s	6.4 μ s	24 μ s ⁽³⁾
32 TOSC	10	1.6 μ s	6.4 μ s	25.6 μ s ⁽³⁾	96 μ s ⁽³⁾
RC	11	2 - 6 μ s ^(1,4)	2 - 6 μ s ^(1,4)	2 - 6 μ s ^(1,4)	2 - 6 μ s ⁽¹⁾

Legend: Shaded cells are outside of recommended range.

Note 1: The RC source has a typical TAD time of 4 μ s.

2: These values violate the minimum required TAD time.

3: For faster conversion times, the selection of another clock source is recommended.

4: When device frequency is greater than 1 MHz, the RC ADC conversion clock source is recommended for SLEEP operation only.

9.2.4 INITIATING A CONVERSION

The Analog-to-Digital conversion is initiated by setting the $\overline{GO/DONE}$ bit in ADCON0 register. When the conversion is complete, the ADC module:

- Clears the $\overline{GO/DONE}$ bit
- Sets the ADIF flag in the PIR1 register
- Generates an interrupt if the ADIE, PEIE, and GIE bits are set.

If the conversion must be aborted, the $\overline{GO/DONE}$ bit can be cleared in software. The ADRES register will not be updated with the partially completed ADC conversion sample. Instead, the ADRES will contain the value from the last completed conversion. After an aborted conversion, a 2TAD delay is required before another acquisition/conversion can be initiated. Following the delay, an input acquisition is automatically started on the selected channel.

Note: The $\overline{GO/DONE}$ bit should **NOT** be set in the same instruction that turns on the ADC.

9.3 ADC Acquisition Requirements

For the ADC module to meet its specified accuracy, the internal Sample-and-Hold capacitor (CHOLD) must be allowed to charge to within 1/2 LSB of the voltage present on the input channel (see analog input model in Figure 9-2). The analog source resistance (RS) and the internal sampling switch resistance (RSS) will directly affect the time required to charge CHOLD. In addition, RSS will vary over the power supply voltage range (AVDD), and RS will affect the input offset voltage at the analog input (due to pin leakage current). Therefore:

1. The maximum recommended impedance for any analog sources is 10 kOhms.
2. Following any change in the analog input channel selection, a minimum acquisition delay must be observed before another conversion can begin (see Equation 9-1).

To calculate the minimum acquisition time, Equation 9-1 may be used. This equation calculates the acquisition time to within 1/2 LSB error, assuming an 8-bit conversion (512 steps for the PIC16C781/782 ADC). The 1/2 LSB error is the maximum error allowed for the ADC to meet its specified accuracy.

EQUATION 9-1: ADC MINIMUM CHARGING TIME

$$V_{HOLD} = (ADCREf - (ADCREf/512)) \cdot (1 - e^{-T_{CAP}/CHOLD(RIC+RSS+RS)})$$

Given: $V_{HOLD} = (ADCREf/512)$, for 1/2LSb resolution

The above equation reduces to:

$$T_{CAP} = -(51.2 \text{ pF})(1 \text{ k}\Omega + RSS + RS) \ln(1/511)$$

Example 9-1 shows the calculation of the minimum required acquisition time TACQ. This calculation is based on the following system assumptions.

$$CHOLD = 51.2 \text{ pF}$$

$$RS = 10 \text{ k}\Omega$$

$$1/2 \text{ LSB error}$$

$$RSS = 7 \text{ k}\Omega @ VDD = 5V$$

Note 1: The reference voltage (ADCREf) has no effect on the equation, since it cancels itself out.

2: The charge holding capacitor (CHOLD) is not discharged after each conversion.

3: The maximum recommended impedance for analog sources is 10kΩ. This is required to meet the pin leakage specification.

4: After a conversion has completed, a 1.0TAD delay must be completed before acquisition can begin again. During this time the holding capacitor is not connected to the selected ADC input channel.

EXAMPLE 9-1: CALCULATING THE MINIMUM REQUIRED ACQUISITION TIME

$$T_{ACQ} = \text{Amplifier Setting Time} + \text{Holding Capacitor Charging Time} + \text{Temperature Coefficient}$$

$$T_{ACQ} = 5 \mu\text{s} + T_{CAP} + [(Temp - 25^\circ\text{C})(0.05 \mu\text{s}/^\circ\text{C})]$$

$$T_{CAP} = -CHOLD (RIC + RSS + RS) \ln(1/511)$$

$$= -51.2 \text{ pF} (1 \text{ k}\Omega + 7 \text{ k}\Omega + 10 \text{ k}\Omega) \ln(0.0020)$$

$$= -51.2 \text{ pF} (18 \text{ k}\Omega) \ln(0.0020)$$

$$= -0.921 \mu\text{s} (-6.2364)$$

$$= 5.747 \mu\text{s}$$

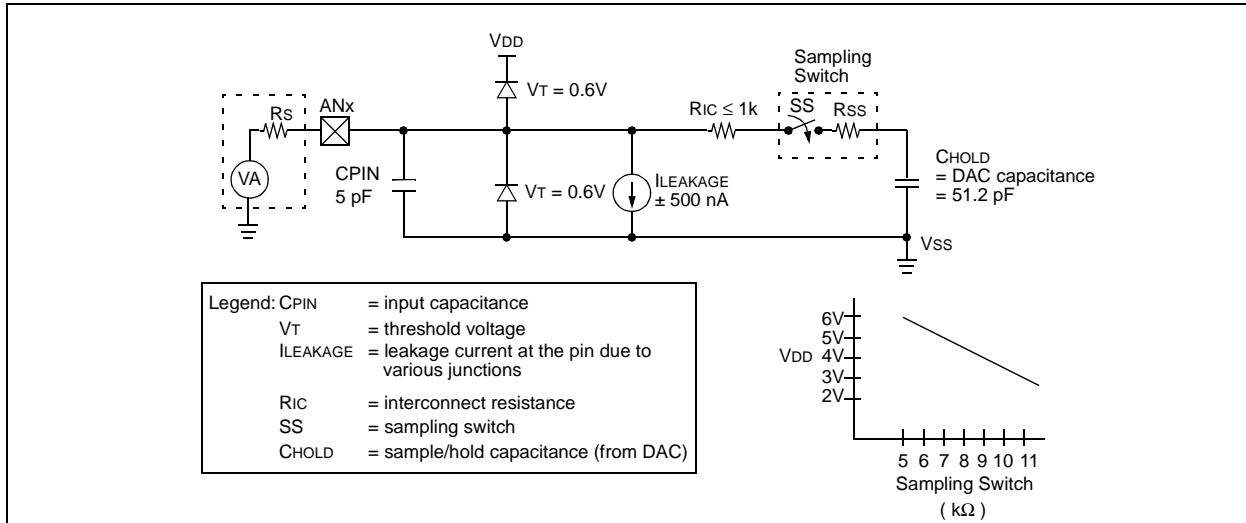
$$T_{ACQ} = 5 \mu\text{s} + 5.747 \mu\text{s} + [(50^\circ\text{C} - 25^\circ\text{C})(0.05 \mu\text{s}/^\circ\text{C})]$$

$$= 10.747 \mu\text{s} + 1.25 \mu\text{s}$$

$$= 11.997 \mu\text{s}$$

PIC16C781/782

FIGURE 9-2: ANALOG INPUT MODEL



9.4 ADC Configuration and Conversion

Example 9-2 demonstrates an ADC conversion. The RA0/AN0 pin is configured as the analog input. The reference voltage selected is the device AVDD. The ADC interrupt is enabled, and the ADC conversion clock is ADRC.

Clearing the GO/DONE bit during a conversion aborts the current conversion. The ADRES register is NOT updated with the partially completed ADC conversion sample. That is, the ADRES register continues to contain the value of the last completed conversion (or the last value written to the ADRES register). After the ADC conversion is aborted, a 2TAD wait period is required before the next acquisition is started. After this 2TAD wait period, an acquisition is automatically started on the selected channel.

EXAMPLE 9-2: ADC CONVERSION

```

;*****
;* This code block will configure the ADC
;* for polling, AVDD as reference, RC clock
;* and RA0 input.
;*
;* Conversion start & wait for complete
;* polling code included.
;*
BANKSEL    ADCON1    ; Select Bank 1
CLRF      ADCON1    ; AVDD as VREF
BSF       TRISA,0   ; Set RA0 as input
BSF       ANSEL,0   ; Set RA0 as analog

BANKSEL    ADCON0    ; Select Bank0
MOVLW    B'11000001'
MOVWF    ADCON0     ; RC, Ch 0, ADC on

;*****
;* Start & Wait for ADC complete, assumes
;* minimum acquisition delay from
;* configuration.

ADC_CNVRT
    BANKSEL    ADCON0    ; Select Bank 0
    BSF       ADCON0,GO  ; Start convert

ADC_CN_LOOP
    BTFSC    ADCON0,GO   ; Test for end
    GOTO     ADC_CN_LOOP; If not, wait
    MOVF     ADRES,W     ; Get result
    
```

9.4.1 FASTER CONVERSION/LOWER RESOLUTION TRADE-OFF

Not all applications require a result having 8-bits of resolution. Some may instead, require a faster conversion time. The ADC module allows users to make a trade-off of conversion speed for resolution. Regardless of the resolution required, the acquisition time is the same. To speed up the conversion, the clock source of the ADC module may be switched during the conversion, so that the TAD time violates the minimum specified time (see the applicable Electrical Specification). Once the switch is made, all the following ADC result bits are invalid (see ADC Conversion Timing in the Electrical Specifications section). The clock source may only be switched between the three oscillator options (it cannot be switched from/to RC). The equation to determine the time before the oscillator must be switched for a desired resolution is as follows:

$$\text{Conversion time} = 2TAD + N \cdot TAD + (8 - N)(2TOSC)$$

Where: N = number of bits of resolution required.

Since the TAD is based on the device oscillator, the user must employ some method (such as a timer, software loop, etc.) to determine when the ADC oscillator must be changed.

9.5 ADC Operation During SLEEP

The ADC module can operate during SLEEP mode. This requires that the ADC clock source be set to RC (ADCS1:ADCS0 = 11). When the RC clock source is selected, the ADC module waits one instruction cycle before starting the conversion. This allows the SLEEP instruction to be executed, which eliminates all digital switching noise from the conversion. When the conversion is completed the GO/DONE bit is cleared, and the result is loaded into the ADRES register. If the ADC interrupt is enabled, the device awakens from SLEEP. If the ADC interrupt is not enabled, the ADC module is turned off, although the ADON bit remains set.

When the ADC clock source is another clock option (not RC), a SLEEP instruction causes the present conversion to be aborted and the ADC module to be turned off. The ADON bit remains set.

Turning off the ADC places the ADC module in its lowest current consumption state.

Note: For the ADC module to operate in SLEEP, the A/D clock source must be set to RC (ADCS1:ADCS0 = 11). To perform an ADC conversion in SLEEP, ensure the SLEEP instruction immediately follows the instruction that sets the GO/DONE bit.

9.6 ADC Accuracy/Error

The absolute accuracy (absolute error) specified for the ADC converter includes the sum of all contributions for:

- Offset error
- Gain error
- Quantization error
- Integral non-linearity error
- Differential non-linearity error
- Monotonicity

The **absolute error** is defined as the maximum deviation from an actual transition versus an ideal transition for any code. The absolute error of the ADC converter is specified as $< \pm 1$ LSb for $ADCREF = VDD$ (over the device's specified operating range). However, the accuracy of the ADC converter degrades as VDD diverges from $VREF$.

For a given range of analog inputs, the output digital code will be the same. This is due to the quantization of the analog input to a digital code. **Quantization error** is typically $\pm 1/2$ LSb and is inherent in the analog to digital conversion process. The only way to reduce quantization error is to use an ADC with greater resolution of the ADC converter.

Offset error measures the first actual transition of a code versus the first ideal transition of a code. Offset error shifts the entire transfer function. Offset error can be calibrated out of a system, or introduced into a system, through the interaction of the total leakage current and source impedance at the analog input.

Gain error measures the maximum deviation of the last actual transition and the last ideal transition adjusted for offset error. This error appears as a change in slope of the transfer function. The difference in gain error to full scale error is that full scale does not take offset error into account. Gain error can be calibrated out in software.

Linearity error refers to the uniformity of the code changes. Linearity errors cannot be calibrated out of the system. **Integral non-linearity error** measures the actual code transition versus the ideal code transition, adjusted by the gain error for each code. **Differential non-linearity** measures the maximum actual code width versus the ideal code width. This measure is unadjusted.

If the linearity errors are very large, the ADC may become **non-monotonic**. This occurs when the digital values for one or more input voltages are less than the value for a lower input voltage.

PIC16C781/782

9.6.1 CLOCK NOISE

In systems where the device frequency is low, use of the ADC RC clock is preferred. At moderate to high frequencies, TAD should be derived from the device oscillator. TAD must not violate the minimum and should be $\leq 8 \mu\text{s}$ for preferred operation. This is because TAD, when derived from TOSC, is kept away from on-chip phase clock transitions. This reduces, to a large extent, the effects of digital switching noise. This is not possible with the RC derived clock. The loss of accuracy due to digital switching noise can be significant if many I/O pins are active.

In systems where the device enters SLEEP mode after the start of the ADC conversion, the RC clock source selection is required. In this mode, the digital noise from the modules in SLEEP is stopped. This method gives high accuracy.

9.7 Effects of a RESET

A device RESET forces all registers to their RESET state. This forces the ADC module to be turned off, and any conversion is aborted.

The value that is in the ADRES register is not modified for a Power-on Reset. The ADRES register contains unknown data after a Power-on Reset.

9.8 Connection Considerations

If the input voltage exceeds the rail values (V_{SS} or V_{DD}) by greater than 0.2V, then the accuracy of the conversion is out of specification.

Note: Care must be taken when using the RB2/AN6 pin in ADC conversions due to its proximity to the OSC1 pin.

An external RC filter is sometimes added for anti-aliasing of the input signal. The R component should be selected to ensure that the total source impedance is kept under the 10 k Ω recommended specification. Any external components connected (via hi-impedance) to an analog input pin (capacitor, zener diode, etc.) should have very little leakage current at the pin.

9.9 Transfer Function

The ideal transfer function of the ADC converter is as follows: the first transition occurs when the analog input voltage (V_{AIN}) is Analog $AD_{REF}/256$ (Figure 9-3).

9.10 References

A good reference for ADC converters is the "*Analog-Digital Conversion Handbook*" third edition, published by Prentice Hall (ISBN 0-13-03-2848-0).

FIGURE 9-3: ADC TRANSFER FUNCTION

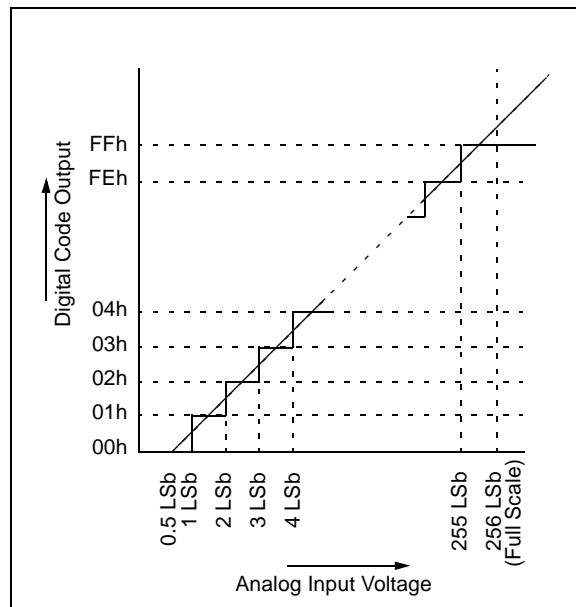


FIGURE 9-4: FLOW CHART OF ADC OPERATION

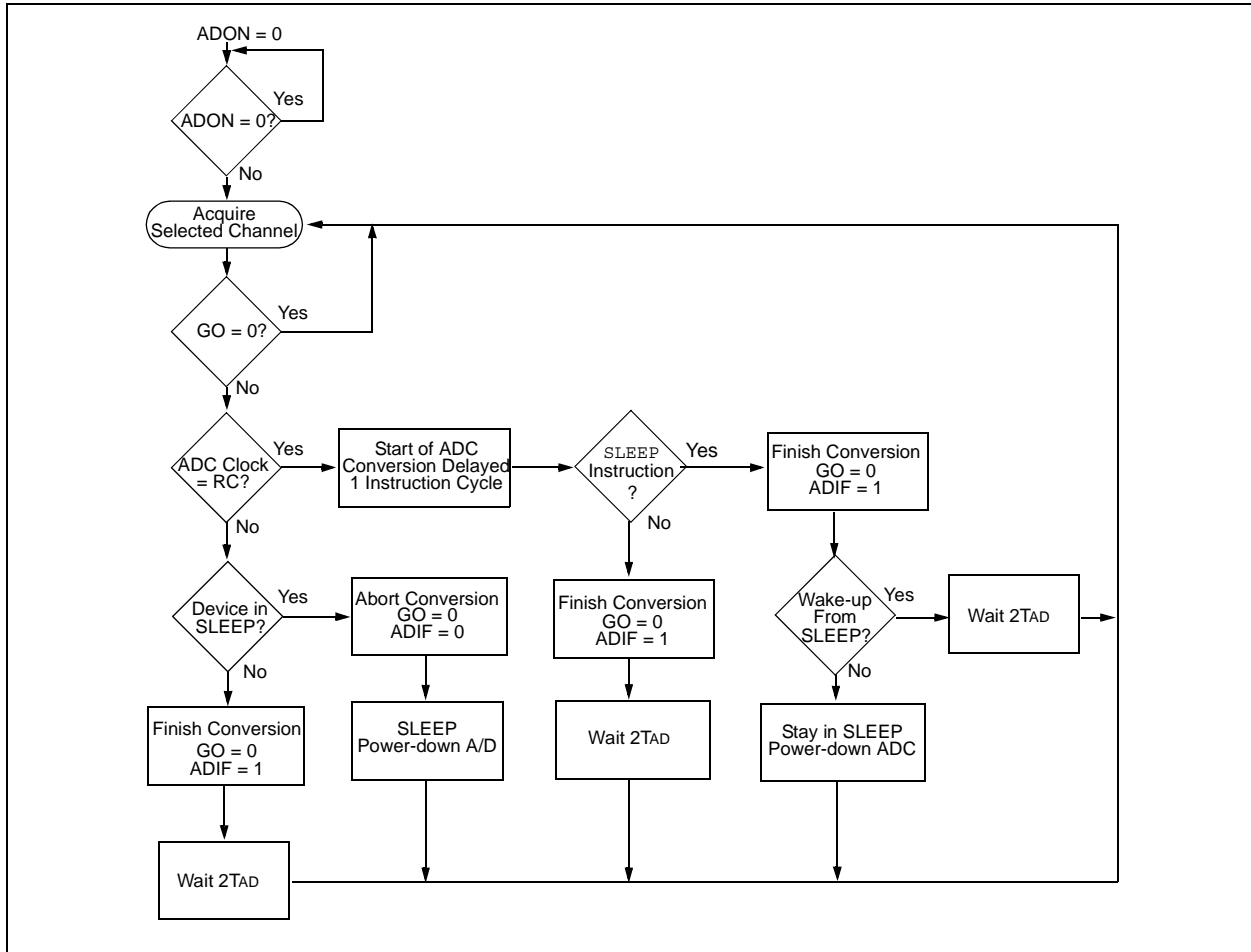


TABLE 9-2: REGISTERS/BITS ASSOCIATED WITH ADC, PIC16C781/782

Address	Name	Bit 7	Bit 6	Bit 5	Bit 4	Bit 3	Bit 2	Bit 1	Bit 0	Value on: POR, BOR	Value on all other RESETS
0Bh	INTCON	GIE	PEIE	T0IE	INTE	RBIE	TOIF	INTF	RBIF	0000 000x	0000 000u
8Ch	PIE1	LVDIE	ADIE	C2IE	C1IE	—	—	—	TMR1IE	0000 ---0	0000 ---0
0Ch	PIR1	LVDIF	ADIF	C2IF	C1IF	—	—	—	TMR1IF	0000 ---0	0000 ---0
1Eh	ADRES	ADC Result Register								xxxx xxxx	uuuu uuuu
1Fh	ADCON0	ADCS1	ADCS0	CHS2	CHS1	CHS0	GO/DONE	CHS3	ADON	0000 0000	0000 0000
9Fh	ADCON1	—	—	VCFG1	VCFG0	—	—	—	—	--00 ----	--00 ----
05h	PORTA	RA7	RA6	RA5	RA4	RA3	RA2	RA1	RA0	xxxx 0000	uuuu 0000
06h	PORTB	RB7	RB6	RB5	RB4	RB3	RB2	RB1	RB0	xxxx 0000	uuuu 0000
9Dh	ANSEL	Analog Channel Select								1111 1111	1111 1111

Legend: x = unknown, u = unchanged, - = unimplemented, read as '0'. Shaded cells are not used for ADC conversion.

PIC16C781/782

NOTES:

10.0 DIGITAL-TO-ANALOG CONVERTER (DAC) MODULE

The Digital-to-Analog Converter (DAC) module generates an output voltage proportional to the value in the 8-bit DAC register (see Figure 10-1).

The output of the DAC module can be configured to drive:

- The reference input to the ADC module
- The reference input to Comparators C1 and C2
- An analog output on pin RB1/AN5/VDAC

The voltage reference input to the DAC can be selected from:

- Analog supply AVDD
- Comparator C1 VREF1
- Voltage reference VR

10.1 Control Registers

The DAC module is controlled via two special function registers: DAON0 and DAC. The DAON0 register, shown in Register 10-1:

- Enables DAC
- Enables output on RB1/AN5/VDAC
- Selects reference voltage

The DAC register, shown in Register 10-2, sets the output of the DAC.

REGISTER 10-1: DIGITAL-TO-ANALOG CONVERTER CONTROL REGISTER0 (DAON0: 11Fh)

R/W-0	R/W-0	U-0	U-0	U-0	U-0	R/W-0	R/W-0
DAON	DAOE	—	—	—	—	DARS1	DARS0
bit 7						bit 0	

- bit 7 **DAON:** Digital-to-Analog Converter Enable bit
1 = DAC enabled
0 = DAC disabled
- bit 6 **DAOE:** Digital-to-Analog Converter Output Enable bit
1 = Output on the VDAC pin
0 = Output is not available for external use
- bit 5-2 **Unimplemented:** Read as '0'
- bit 1-0 **DARS<1:0>:** Digital-to-Analog Converter Voltage Reference Select bits, DACREF
00 = Analog supply, AVDD
01 = Comparator reference, VREF1 pin
10 = Voltage reference, VR
11 = Reserved, do not use

Legend:			
R = Readable bit	W = Writable bit	U = Unimplemented bit, read as '0'	
- n = Value at POR	'1' = Bit is set	'0' = Bit is cleared	x = Bit is unknown

REGISTER 10-2: DIGITAL-TO-ANALOG CONVERTER REGISTER (DAC: 11Eh)

R/W-0	R/W-0	R/W-0	R/W-0	R/W-0	R/W-0	R/W-0	R/W-0
DA7	DA6	DA5	DA4	DA3	DA2	DA1	DA0
bit 7						bit 0	

- bit 7-0 **DA<7:0>:** Digital-to-Analog Converter Digital Input bits

Legend:		
R = Readable bit	W = Writable bit	
- n = Value at POR	'1' = Bit is set	'0' = Bit is cleared

PIC16C781/782

10.2 Control Register

The DAC module is enabled by setting the DAON bit (DACON0<7>).

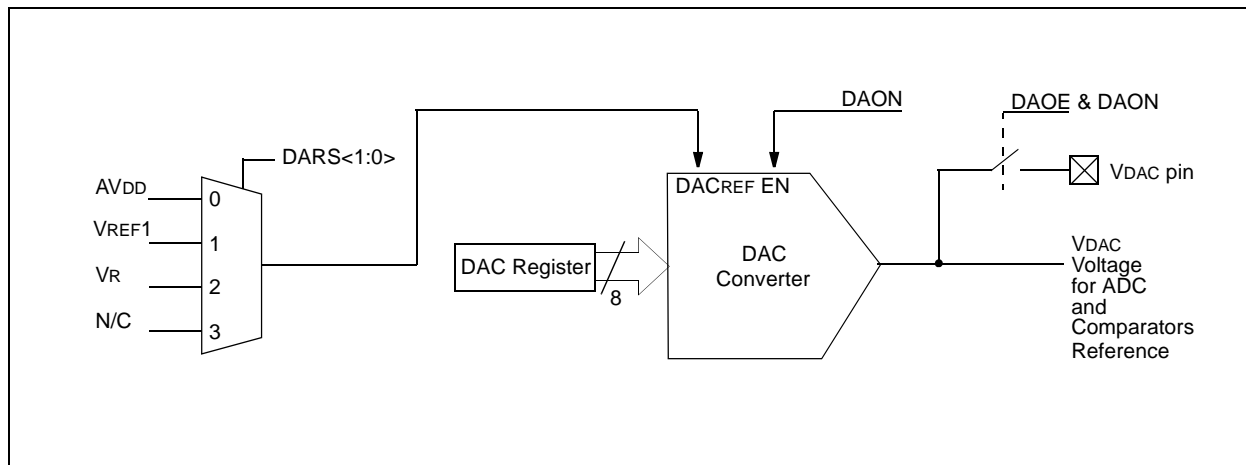
Bits DARS<1:0> (DACON0<1:0>) determine the voltage reference for the DAC module.

To output the DAC voltage, the DAOE bit (DACON0<6>) and DAON must be set. To use the DAC output internally, the appropriate reference select bits in the destination module must be set.

Note 1: To enable the DAC output as a reference for the ADC module, VCFG<1:0> in ADCON1 must be set.

2: To enable the DAC output as a reference for the Comparator module, C1R/C2R bits (CM1CON0<2>/CM2CON0<2>) must be set.

FIGURE 10-1: DAC CONVERTER BLOCK DIAGRAM



10.3 DAC Configuration

Example 10-1 shows a sample configuration for the DAC module. The port pin is configured, AVDD is selected for the voltage reference, and the DAC output is enabled.

EXAMPLE 10-1: DAC CONFIGURATION

```

;* This code block will configure the DAC
;* for AVDD Voltage Ref, and RB1/AN5/VDAC as
;* output.

BANKSEL TRISB          ; Select bank 1
BSF    TRISB,1         ; Set RB1 input
BSF    ANSEL,1         ; Set RB1 as analog

BANKSEL DACON0         ; Select Bank 2
CLRF   DAC             ; DAC to 00
MOVLW  B'11000000'    ; Enable DAC output
MOVWF  DACON0          ; Set REF = VDD

MOVLW  DAC_VALUE      ; Set DAC output
MOVWF  DAC
    
```

10.4 Effects of RESET

A device RESET forces all registers to their RESET state. This forces the following conditions:

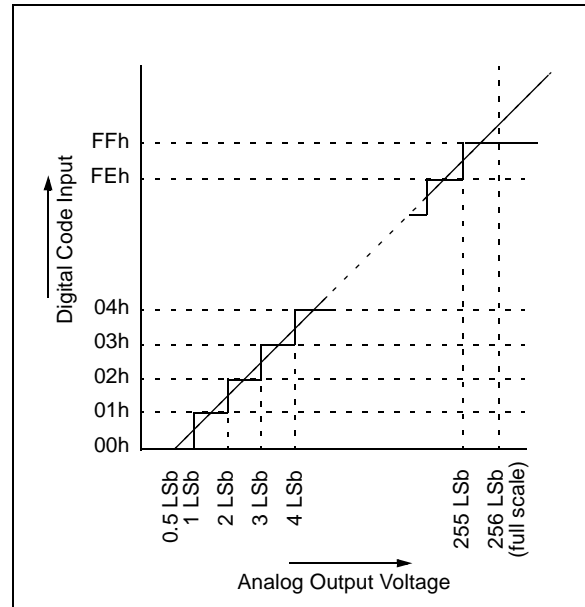
- DAC module is off
- Reference input to AVDD
- Output disabled
- DAC register is cleared

10.5 DAC Module Accuracy/Error

The accuracy/error specified for the DAC includes:

- Integral non-linearity error
- Differential non-linearity error
- Gain error
- Offset error
- Monotonicity

FIGURE 10-2: DAC TRANSFER FUNCTION



Offset error measures the first actual transition of a code versus the first ideal transition of a code. Offset error shifts the entire transfer function. Offset error can be calibrated out of a system or introduced into a system through the interaction of the output drive capability with the load impedance.

Gain error measures the maximum deviation of the last actual transition and the last ideal transition adjusted for offset error. This error appears as a change in slope of the transfer function. The difference in gain error to full scale error is that full scale does not take offset error into account. Gain error can be calibrated out by adjusting the reference voltage.

Linearity error refers to the uniformity of the voltage change with code change. Linearity errors cannot be calibrated out of the system. **Integral non-linearity error** measures the actual voltage output versus the ideal voltage output adjusted by the gain error for each code.

Differential non-linearity error measures the maximum actual voltage step versus the ideal voltage step. This measure is unadjusted.

TABLE 10-1: REGISTERS/BITS ASSOCIATED WITH DAC

Address	Name	Bit 7	Bit 6	Bit 5	Bit 4	Bit 3	Bit 2	Bit 1	Bit 0	Value on: POR, BOR	Value on All Other RESETS
11Fh	DACON0	DAON	DAOE	—	—	—	—	DARS1	DARS0	00-- --00	00-- --00
11Eh	DAC	DA7	DA6	DA5	DA4	DA3	DA2	DA1	DA0	0000 0000	0000 0000
86h	TRISB	RB7	RB6	RB5	RB4	RB3	RB2	RB1	RB0	1111 1111	1111 1111
9Dh	ANSEL	AN7	AN6	AN5	AN4	AN3	AN2	AN1	AN0	1111 1111	1111 1111

Legend: x = unknown, u = unchanged, - = unimplemented, read as '0'. Shaded cells are not used for DAC conversion.

PIC16C781/782

NOTES:

11.0 OPERATIONAL AMPLIFIER (OPA) MODULE

The Operational Amplifier (OPA) Module can be configured as either an OPAMP or Voltage Comparator. The OPA module has the following features:

- External connections to all ports
- Gain Bandwidth Product selectable:
 - 70 kHz nom.
 - 2 MHz nom.
- Low leakage inputs
- Input Offset Voltage Automatic Calibration Module (ACM)
- Input Offset Voltage calibration at a programmable common mode voltage using the DAC
- Interrupt-on-change in Comparator mode using IOCB

11.1 Control Registers

The OPACON register, shown in Register 11-1, controls the OPA module. The CALCON register, shown in Register 11-2, controls the Automatic Calibration Module.

11.1.1 OPACON REGISTER

The OPA module is enabled by setting the OPAON bit (OPACON<7>). When enabled, the OPA forces the output driver of RB3/AN7/OPA into tri-state to prevent contention between the driver and the OPA output.

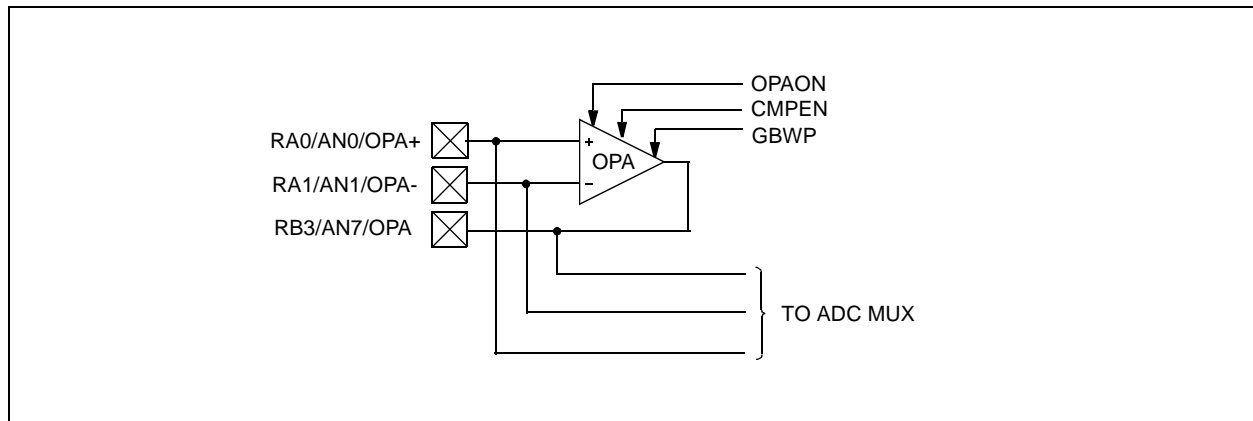
Clearing the CMPEN bit (OPACON,6) configures the module as an OPAMP. Setting CMPEN configures the module as a voltage comparator.

The GBWP bit (OPACON<0>) controls the speed of the module in both comparator and OPAMP configurations. Setting GBWP results in a Gain Bandwidth Product (GBWP) of 2 MHz typical. Clearing GBWP0 results in a GBWP of the OPA of 70 kHz typical.

Note 1: When the OPA module is enabled, the RB3/AN7/OPA pin is driven by the OPAMP output, not by the PORTB driver. Refer to the Electrical specifications for the OPAMP output drive capability.

2: In Comparator mode (CMPEN = 1), an interrupt can be generated using the IOCB feature of RB3. RB3 must be programmed as a digital input with IOCB enabled.

FIGURE 11-1: OPA MODULE BLOCK DIAGRAM



PIC16C781/782

REGISTER 11-1: OPAMP CONTROL REGISTER (OPACON: 11Ch)

R/W-0	R/W-0	U-0	U-0	U-0	U-0	U-0	R/W-0
OPAON	CMPEN	—	—	—	—	—	GBWP

bit 7

bit 0

- bit 7 **OPAON:** OPAMP Enable bit
 1 = OPAMP is enabled
 0 = OPAMP is disabled
- bit 6 **CMPEN:** Comparator Mode Enable bit
 1 = Comparator mode
 0 = OPAMP mode
- bit 5-1 **Unimplemented:** Read as '0'
- bit 0 **GBWP:** Gain Bandwidth Product Select bits
 1 = 2 MHz typ. (fast mode)
 0 = 70 kHz typ. (slow mode)

Legend:			
R = Readable bit	W = Writable bit	U = Unimplemented bit, read as '0'	
- n = Value at POR	'1' = Bit is set	'0' = Bit is cleared	x = Bit is unknown

11.1.2 CALCON REGISTER

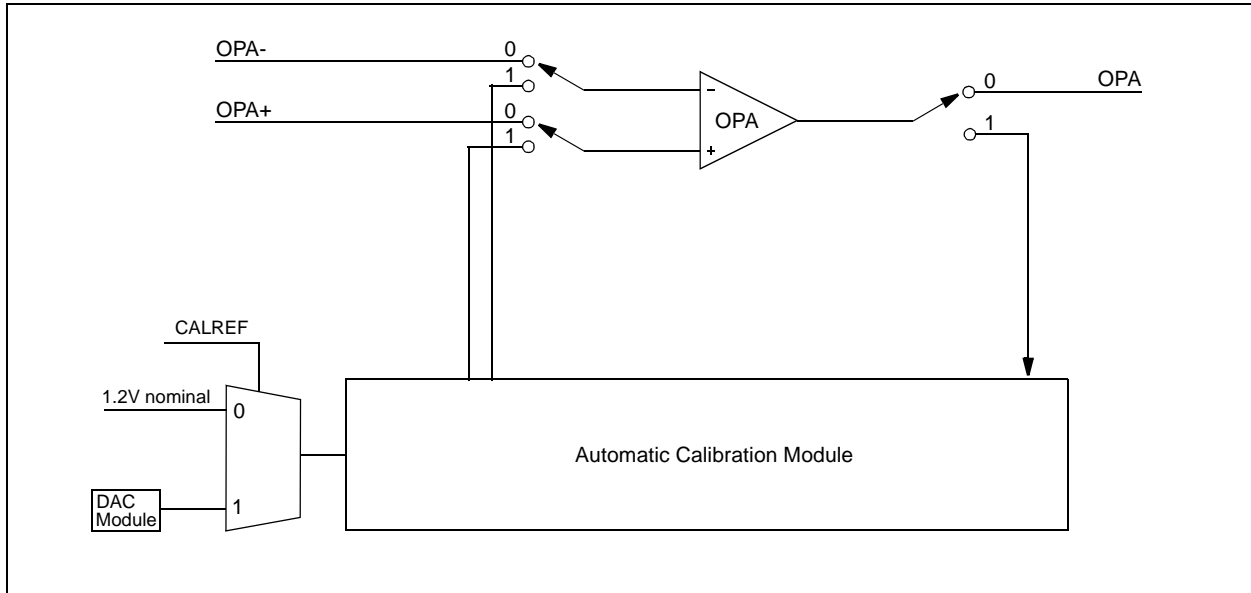
The Automatic Calibration Module (ACM) is an internal state machine which performs an input offset voltage calibration (trim) on the OPA module (see Figure 11-2). Calibration is initiated by setting the CAL bit (CALCON<7>). Upon completion of the calibration sequence, the ACM will clear the CAL bit.

If a problem arises in the calibration process, the CALERR flag (CALCON<6>) will be set to indicate the failure to calibrate.

Setting CALREF (CALCON<5>) forces calibration at a common mode voltage specified by the output of the DAC module. The DAC module must be enabled prior to calibration. Clearing CALREF will perform the calibration with a common mode voltage of 1.2V. The output pin floats during calibration.

- Note 1:** Auto Calibration must be performed while the module is configured as an OPAMP (CMPEN = 0). Performing Auto Calibration function in the Comparator mode may yield unpredictable results.
- 2:** If the internal 1.2V reference is used for the common mode voltage during Auto Calibration, CALREF = 0 (CALCON<5>), a delay for reference stabilization must be observed before start of calibration.
- 3:** The OPA module shares pins with the ADC module. Performing ADC conversions on the OPA+ or OPA- pins may affect OPAMP stability.
- 4:** When using the DAC as a reference for calibration, CALREF = 1 (CALCON<5>), the VDAC voltage must be within the specified common mode voltage for the OPAMP.

FIGURE 11-2: AUTO CALIBRATION MODULE BLOCK DIAGRAM



REGISTER 11-2: CALIBRATION CONTROL REGISTER (CALCON: 110h)

R/S-0	R-0	R/W-0	U-0	U-0	U-0	U-0	U-0	
CAL	CALERR	CALREF	—	—	—	—	—	
bit 7								bit 0

- bit 7 **CAL:** Start and Status bit
 1 = Initiates a calibration
 0 = Reserved (CAL is cleared by hardware)
- bit 6 **CALERR:** Calibration Error Indicator bit
 1 = Error occurred, OPAMP failed
 0 = No error
- bit 5 **CALREF:** Calibration Voltage Select bit
 1 = VD_{DAC} set to desired common voltage reference
 0 = 1.2V nominal source (internal voltage source)
Note: VD_{DAC} must not exceed OPAMP maximum common mode voltage.
- bit 4-0 **Reserved:** Do not use

Legend:			
S = Cleared by hardware	R = Readable bit	W = Writable bit	U = Unimplemented bit, read as '0'
- n = Value at POR	'1' = Bit is set	'0' = Bit is cleared	x = Bit is unknown

PIC16C781/782

11.2 Configuration as OPAMP or Comparator

The following example demonstrates calibration of the OPA module as an Operational Amplifier.

EXAMPLE 11-1: CALIBRATION FOR OPAMP MODE

```
;* This code block will configure the OPA
;* module as an Op Amp, 2 MHz GBWP, and
;* calibrated for a common mode voltage of
;* 1.2V. Routine returns w=0 if
;* calibration good.

BANKSEL    OPACON        ; Select Bank 2
MOVLW     B'10000001'    ; Op Amp mode &
MOVWF     OPACON        ; 2 MHz GBWP

BCF       CALCON,CALREF; Set 1.2V
BSF       CALCON,CAL    ; Start

CAL_LOOP
BTFSC    CALCON,CAL    ; Test for end
GOTO     CAL_LOOP     ; If not, wait
MOVLW    ERROR_FLAG
BTFSS    CALCON,CALERR; Test for error
CLRW                    ; If no, return 0
RETURN
```

The following example demonstrates how to configure and calibrate the OPA module as a Voltage Comparator.

EXAMPLE 11-2: CALIBRATION FOR COMPARATOR MODE

```
;* This code block will configure the OPA
;* module as a voltage comparator, slow
;* speed, and calibrated for a common mode
;* voltage of 2.5 V (assumes VDD=5V).
;* Routine returns w=0 if calibration good.

BANKSEL    OPACON        ; Select Bank 2
MOVLW     B'10000000'
MOVWF     OPACON        ; Op Amp mode,
                    ; slow
BSF       CALCON,CALREF; Common mode=DAC

MOVLW     H'0x80'
MOVWF     DAC            ; DAC at VDD/2
MOVLW     B'10000000'
MOVWF     DACON0        ; enable DAC,
                    ; VDD ref
BSF       CALCON,CAL    ; Start

CAL_LOOP
BTFSC    CALCON,CAL    ; Test for end
GOTO     CAL_LOOP     ; If not, wait

MOVLW     ERROR_FLAG
BTFSS    CALCON,CALERR; Test for error
CLRW                    ; If no, return 0
BSF       OPACON,COMPEN ; Comparator mode
RETURN
```

11.3 Effects of RESET

A device RESET forces all registers to their RESET state. This disables the OPA module and clears any calibration.

11.4 OPA Module Performance

Common AC and DC performance specifications for the OPA module:

- Common Mode Voltage Range
- Leakage Current
- Input Offset Voltage
- Open Loop Gain
- Gain Bandwidth Product

Common mode voltage range is the specified voltage range for the OPA+ and OPA- inputs, for which the OPA module will perform to within its specifications. The OPA module is designed to operate with input voltages between 0 and VDD-1.4V. Behavior for Common mode voltages greater than VDD-1.4V, or below 0V, are not guaranteed.

Leakage current is a measure of the small source or sink currents on the OPA+ and OPA- inputs. To minimize the effect of leakage currents, the effective impedances connected to the OPA+ and OPA- inputs should be kept as small as possible and equal.

Input offset voltage is a measure of the voltage difference between the OPA+ and OPA- inputs in a closed loop circuit with the OPA in its linear region. The offset voltage will appear as a DC offset in the output equal to the input offset voltage, multiplied by the gain of the circuit. The input offset voltage is also affected by the Common mode voltage. The OPA has an automatic calibration module which can minimize the input offset voltage of the module.

Open loop gain is the ratio of the output voltage to the differential input voltage, (OPA+) - (OPA-). The gain is greatest at DC and falls off with frequency.

Gain Bandwidth Product or GBWP is the frequency at which the open loop gain falls off to 0 dB. The lower GBWP is optimized for systems requiring low frequency response and low power consumption.

TABLE 11-1: REGISTERS ASSOCIATED WITH THE OPA MODULE

Address	Name	Bit 7	Bit 6	Bit 5	Bit 4	Bit 3	Bit 2	Bit 1	Bit 0	Value on: POR, BOR	Value on all other RESETS
11Ch	OPACON	OPAON	CMPEN	—	—	—	—	—	GBWP	00-- --0	00-- --0
110h	CALCON	CAL	CALERR	CALREF	—	—	—	—	—	000- ----	000- ----
9Dh	ANSEL	AN7	AN6	AN5	AN4	AN3	AN2	AN1	AN0	1111 1111	1111 1111
86h	TRISB	PORTB Data Direction Register								1111 1111	1111 1111
85h	TRISA	PORTA Data Direction Register								1111 1111	1111 1111
11Eh	DAC	DA7	DA6	DA5	DA4	DA3	DA1	DA1	DA0	0000 0000	0000 0000
11Fh	DACON0	DAON	DAOE	—	—	—	—	DARS1	DARS0	00-- --00	00-- --00

Legend: x = unknown, u = unchanged, - = unimplemented, read as '0'. Shaded cells are not used for the OPA module.

PIC16C781/782

NOTES:

12.0 COMPARATOR MODULE

The comparator module has two separate voltage comparators: Comparator C1 and Comparator C2 (see Figure 12-1).

Each comparator offers the following list of features:

- Control and configuration register
- Comparator output available externally
- Programmable output polarity
- Interrupt-on-change flags
- Wake-up from SLEEP
- Configurable as feedback input to the PSMC
- Programmable four input multiplexer
- Programmable reference selections
- Programmable speed
- Output synchronization to Timer1 clock input (Comparator C2 only)

12.1 Control Registers

Both comparators have separate control and configuration registers: CM1CON0 for C1 and CM2CON0 for C2. In addition, Comparator C2 has a second control register, CM2CON1, for synchronization control and simultaneous reading of both comparator outputs.

12.1.1 COMPARATOR C1 CONTROL REGISTER

The CM1CON0 register (shown in Register 12-1) contains the control and status bits for the following:

- Comparator enable
- Comparator input selection
- Comparator reference selection
- Output mode
- Comparator speed

Setting C1ON (CM1CON0<7>) enables Comparator C1 for operation.

Bits C1CH<1:0> (CM1CON0<1:0>) select the comparator input from the four analog pins AN<7:4>.

Note: To use AN<7:4> as analog inputs, the appropriate bits must be programmed in the ANSEL register.

Setting C1R (CM1CON0<2>) selects the output of the DAC module as the reference voltage for the comparator. Clearing C1R selects the VREF1 input on the RA3/AN3/VREF1 pin.

The output of the comparator is available internally via the C1OUT flag (CM1CON0<6>). To make the output available for an external connection, the C1OE flag (CM1CON0<5>) must be set. If the module is disabled with C1OE set, the output will be driven as shown in Table 12-2:

The polarity of the comparator output can be inverted by setting the C1POL flag (CM1CON0<4>). Clearing C1POL results in a non-inverted output. A complete table showing the output state versus input conditions and the polarity bit is shown in Table 12-2.

TABLE 12-1: OUTPUT STATE VERSUS INPUT CONDITIONS

Input Condition	C1POL	C1OUT
C1VN > C1VP	0	0
C1VN < C1VP	0	1
C1VN > C1VP	1	1
C1VN < C1VP	1	0

Note 1: The internal output of the comparator is latched at the end of each instruction cycle. External outputs are not latched.

2: The C1 interrupt will operate correctly with C1OE set or cleared.

3: For the output of C1 on RB6/C1/PSMC1A, the PSMC must be disabled and TRISB<6> must be '0'.

C1SP (CM1CON0<3>) configures the speed of the comparator. When C1SP is set, the comparator operates at its normal speed. Clearing C1SP operates the comparator in a slower, low power mode.

PIC16C781/782

FIGURE 12-1: COMPARATOR C1 SIMPLIFIED BLOCK DIAGRAM

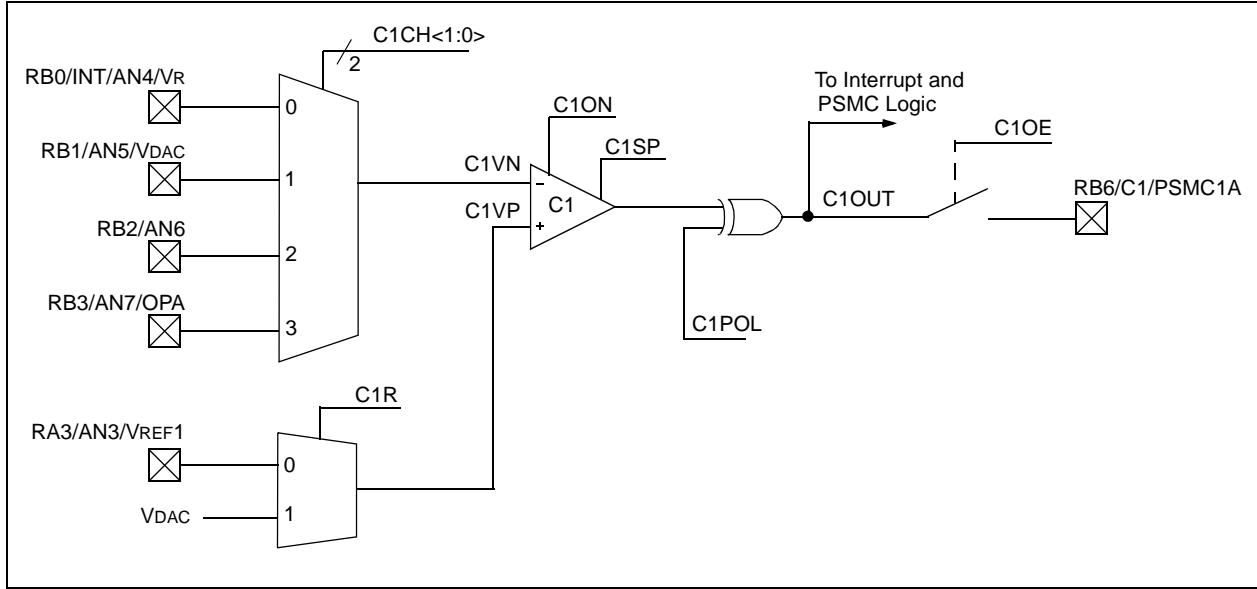
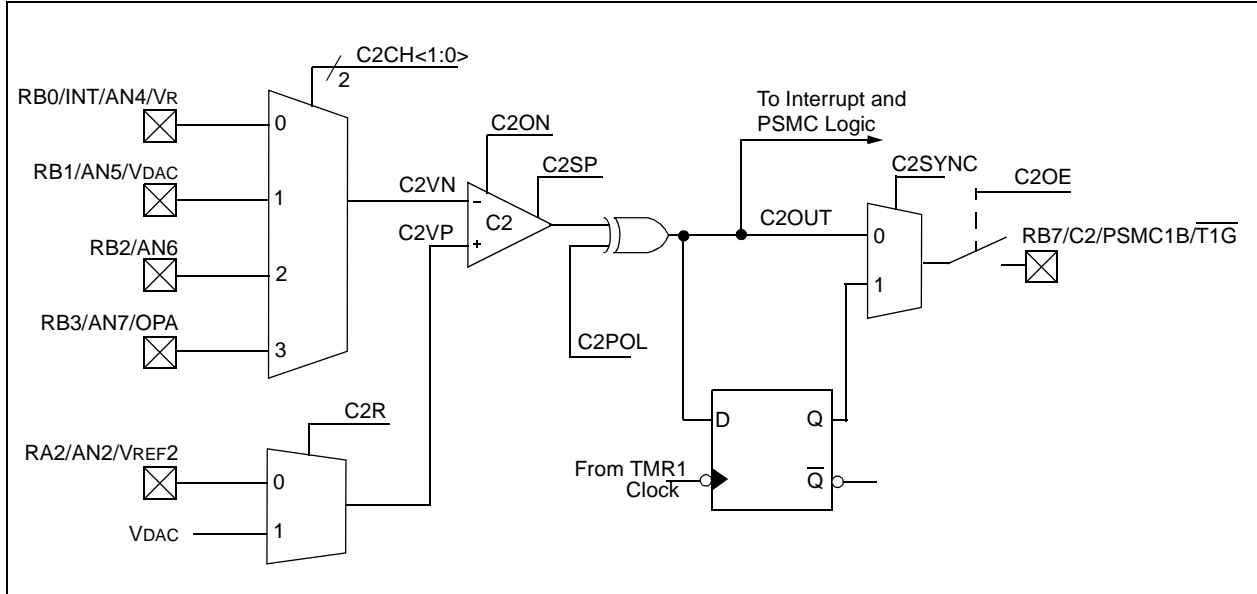


FIGURE 12-2: COMPARATOR C2 SIMPLIFIED BLOCK DIAGRAM



REGISTER 12-1: COMPARATOR C1 CONTROL REGISTER0 (CM1CON0: 119h)

R/W-0	R-0	R/W-0	R/W-0	R/W-0	R/W-0	R/W-0	R/W-0
C1ON	C1OUT	C1OE	C1POL	C1SP	C1R	C1CH1	C1CH0
bit 7						bit 0	

- bit 7 **C1ON:** Comparator C1 Enable bit
1 = C1 Comparator is enabled
0 = C1 Comparator is disabled
- bit 6 **C1OUT:** Comparator C1 Output bit
If C1POL = 1 (inverted polarity):
C1OUT = 1, C1VP < C1VN
C1OUT = 0, C1VP > C1VN
If C1POL = 0 (non-inverted polarity):
C1OUT = 1, C1VP > C1VN
C1OUT = 0, C1VP < C1VN
- bit 5 **C1OE:** Comparator C1 Output Enable bit
1 = C1OUT is present on the RB6/C1/PSMC1A pin⁽¹⁾
0 = C1OUT is internal only
- bit 4 **C1POL:** Comparator C1 Output Polarity Select bit
1 = C1OUT logic is inverted
0 = C1OUT logic is not inverted
- bit 3 **C1SP:** Comparator C1 Speed Select bit
1 = C1 operates in normal speed mode
0 = C1 operates in low power, slow speed mode
- bit 2 **C1R:** Comparator C1 Reference Select bits (non-inverting input)
1 = C1VP connects to VDAC output
0 = C1VP connects to VREF1
- bit 1-0 **C1CH<1:0>:** Comparator C1 Channel Select bits
00 = C1VN of C1 connects to AN4
01 = C1VN of C1 connects to AN5
10 = C1VN of C1 connects to AN6
11 = C1VN of C1 connects to AN7

Note 1: C1OUT will only drive RB6/C1/PSMC1A if:
(C2OE = 1) & (C2ON = 1) & (TRISB<7> = 0) & ((SMCON = 0)
or ((SMCOM = 0) & (SCEN = 0))).

Legend:			
R = Readable bit	W = Writable bit	U = Unimplemented bit, read as '0'	
- n = Value at POR	'1' = Bit is set	'0' = Bit is cleared	x = Bit is unknown

PIC16C781/782

12.1.2 COMPARATOR C2 CONTROL REGISTERS

The CM2CON0 register is a functional copy of the CM1CON0 register described in Section 12.1.1. A second control register, CM2CON1, is also present for control of an additional synchronizing feature, as well as mirrors of both comparator outputs.

12.1.2.1 Control Register CM2CON0

The CM2CON0 register, shown in Register 12-2, contains the control and status bits for Comparator C2.

Setting C2ON (CM2CON0<7>) enables Comparator C2 for operation.

Bits C2CH<1:0> (CM2CON0<1:0>) select the comparator input from the four analog pins, AN<7:4>.

Note 1: To use AN<7:4> as analog inputs, the appropriate bits must be programmed in the ANSEL register.

C2R (CM2CON0<2>) selects the reference to be used with the comparator. Setting C2R (CM2CON0<2>) selects the output of the DAC module as the reference for the comparator. Clearing C2R selects the VREF2 input on the RA2/AN2/VREF2 pin.

The output of the comparator is available internally via the C2OUT bit (CM2CON0<6>). To make the output available for an external connection, the C2OE bit (CM2CON0<5>) must be set.

Note 1: The internal output of the comparator is latched at the end of each instruction cycle. External outputs are not latched.

2: The C2 interrupt will operate correctly with C2OE set or cleared. An external output is not required for the C2 interrupt.

3: For C2 output on RB7/C2/PSMC1B/ $\overline{T1G}$:
(C2OE=1) & (C2ON=1) & (TRISB<7>=0) & ((SMCON=0) or ((SMCOM=0) & (SCEN=0))).

The comparator output, C2OUT, can be inverted by setting the C2POL bit (CM2CON0<4>). Clearing C2POL results in a non-inverted output. A complete table showing the output state versus input conditions and the polarity bit is shown in Table 12-3.

C2SP (CM2CON0<3>) configures the speed of the comparator. When C2SP is set, the comparator operates at its normal speed. Clearing C2SP operates the comparator in low power mode.

REGISTER 12-2: COMPARATOR C2 CONTROL REGISTER0 (CM2CON0: 11Ah)

R/W-0	R-0	R/W-0	R/W-0	R/W-0	R/W-0	R/W-0	R/W-0
C2ON	C2OUT	C2OE	C2POL	C2SP	C2R	C2CH1	C2CH0

bit 7

bit 0

- bit 7 **C2ON:** Comparator C2 Enable bit
 1 = C2 Comparator is enabled
 0 = C2 Comparator is disabled
- bit 6 **C2OUT:** Comparator C2 Output bit
If C2POL = 1 (inverted polarity):
 C2OUT = 1, C2VP < C2VN
 C2OUT = 0, C2VP > C2VN
If C2POL = 0 (non-inverted polarity):
 C2OUT = 1, C2VP > C2VN
 C2OUT = 0, C2VP < C2VN
- bit 5 **C2OE:** Comparator C2 Output Enable bit
 1 = C2OUT is present on RB7/C2/PSMC1B/ $\overline{T1G}$ ⁽¹⁾
 0 = C2OUT is internal only
- bit 4 **C2POL:** Comparator C2 Output Polarity Select bit
 1 = C2OUT logic is inverted
 0 = C2OUT logic is not inverted
- bit 3 **C2SP:** Comparator C2 Speed Select bit
 1 = C2 operates in normal speed mode
 0 = C2 operates in low power, slow speed mode.
- bit 2 **C2R:** Comparator C2 Reference Select bits (non-inverting input)
 1 = C2VP connects to VDAC
 0 = C2VP connects to VREF2
- bit 1-0 **C2CH<1:0>:** Comparator C2 Channel Select bits
 00 = C2VN of C2 connects to AN4
 01 = C2VN of C2 connects to AN5
 10 = C2VN of C2 connects to AN6
 11 = C2VN of C2 connects to AN7

Note 1: C2OUT will only drive RB7/C2/PSMC1B/ $\overline{T1G}$ if:
 (C2OE = 1) & (C2ON = 1) & (TRISB<7> = 0) & ((SMCON = 0) or
 ((SMCOM = 0) & (SCEN = 0))).

Legend:

R = Readable bit	W = Writable bit	U = Unimplemented bit, read as '0'
- n = Value at POR	'1' = Bit is set	'0' = Bit is cleared x = Bit is unknown

PIC16C781/782

12.1.2.2 Control Register CM2CON1

Comparator C2 has one additional feature: its output can be synchronized to the Timer1 clock input. Setting C2SYNC (CM2CON1<0>) synchronizes the output of Comparator 2 to the falling edge of Timer 1's clock input (see Figure 12-1 and Register 12-3).

The CM2CON1 register also contains mirror copies of both comparator outputs, MC1OUT and MC2OUT (CM2CON1<7:6>). The ability to read both outputs simultaneously from a single register eliminates the timing skew of reading separate registers.

REGISTER 12-3: COMPARATOR C2 CONTROL REGISTER1 (CM2CON1: 11Bh)

R-0	R-0	U-0	U-0	U-0	U-0	U-0	R/W-0
MC1OUT	MC2OUT	—	—	—	—	—	C2SYNC
bit 7							bit 0

- bit 7 **MC1OUT:** Mirror Copy of C1OUT (CM1CON0<6>)
- bit 6 **MC2OUT:** Mirror Copy of C2OUT (CM2CON0<6>)
- bit 5-1 **Unimplemented:** Read as '0'
- bit 0 **C2SYNC:** C2 Output Synchronous Mode bit
 1 = C2 output is synchronous to falling edge of TMR1 clock
 0 = C2 output is asynchronous

Legend:			
R = Readable bit	W = Writable bit	U = Unimplemented bit, read as '0'	
- n = Value at POR	'1' = Bit is set	'0' = Bit is cleared	x = Bit is unknown

12.2 Comparator Configuration

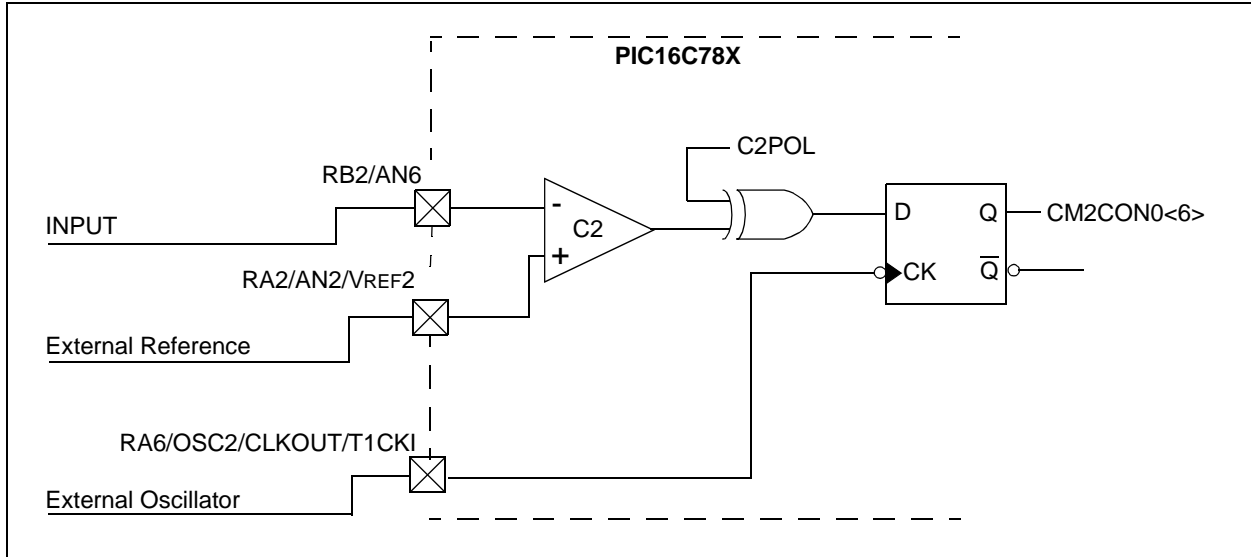
The following examples show the use of the Comparator module in:

- A simple voltage comparator configuration synchronized to the Timer 1 clock input.
- A comparator input to the PSMC with a programmable DAC reference.
- A low power window comparator configuration with interrupt-on-change.

12.2.1 EXAMPLE: C2 SYNCHRONIZED TO T1CKI

In this example, Comparator C2 is configured as a normal voltage comparator synchronized to the T1CKI input. A block diagram of the comparator with external connections is shown in Figure 12-2.

FIGURE 12-3: COMPARATOR C2 CONFIGURATION WITH OUTPUT SYNCHRONIZED TO T1CKI



EXAMPLE 12-1: C2 CONFIGURATION PROGRAM

```

;* This code block will configure C2
;* for normal speed and output polarity,
;* input on AN6, Reference from VREF2, and
;* output synchronization to TMR1 clock.
;*
BANKSEL TRISA          ; Select Bank 1
BSF    TRISA,RA2       ; RA2 as input
BSF    TRISA,RA6       ; RA6 as input
BSF    TRISB,RB2       ; RB2 as input

BSF    ANSEL,AN2       ; AN2 as analog
BSF    ANSEL,AN6       ; AN6 as analog

BANKSEL CM2CON0        ; Select Bank 2
MOVLW  B'10001010'    ; Set C2; no out
MOVWF  CM2CON0         ; VREF2, AN6

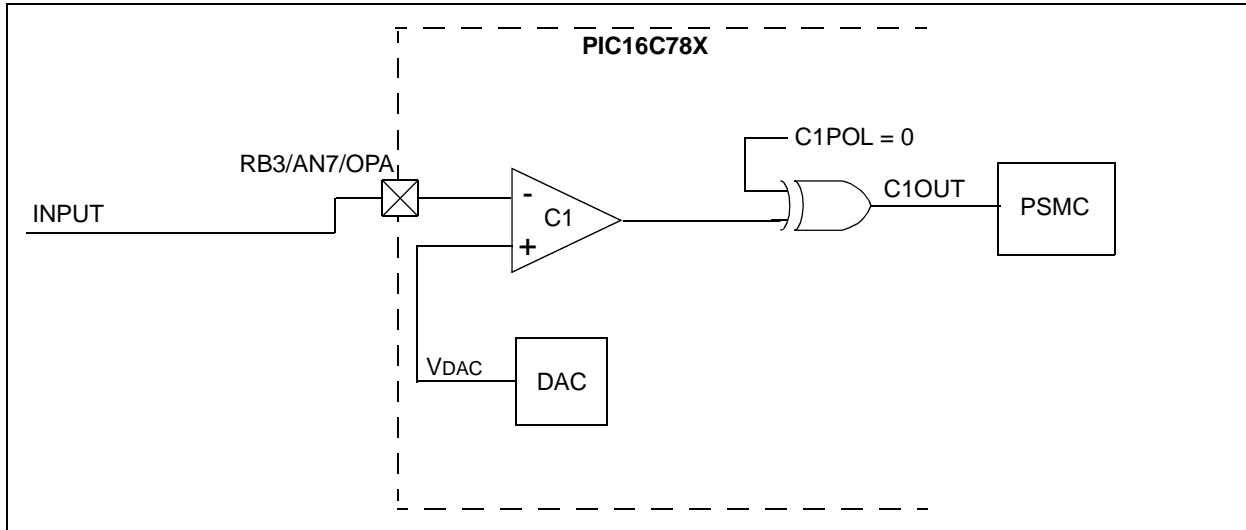
BSF    CM2CON1,C2SYNC ; CLK sync
    
```

12.2.2 EXAMPLE: C1 INPUT TO PSMC W/ DAC AS REFERENCE

In this example, Comparator C1 is configured as a non-inverting normal speed voltage comparator input to the PSMC, with a programmable reference voltage. A block diagram of the comparator with external connections is shown in Figure 12-3.

PIC16C781/782

FIGURE 12-4: CONFIGURATION OF COMPARATOR C1 WITH DAC



EXAMPLE 12-2: PROGRAMMING C1 FOR PSMC FEEDBACK

```

;* This code block will configure Comparator
;* C1 for normal speed and output polarity,
;* input on AN7, and Reference from the DAC
    
```

```

BANKSEL    TRISA        ; Select Bank 1
BSF        TRISB, RB3   ; RB3 as input
BSF        ANSEL, AN7   ; Set RB3 as analog
    
```

```

BANKSEL    DACON0       ; Select Bank 2
CLRF      DAC           ; DAC=00h
MOVLW     B'10000000'   ; Enable, no out
MOVWF     DACON0        ; DACREF = VDD
MOVLW     DAC_VALUE     ; DAC Value
MOVWF     DAC           ; Trip Level
    
```

```

MOVLW     B'10001111'   ; C1; no out,
MOVWF     CM1CON0       ; VREF1, AN7
    
```

12.2.3 EXAMPLE: LOW POWER WINDOW COMPARATOR WITH INTERRUPT

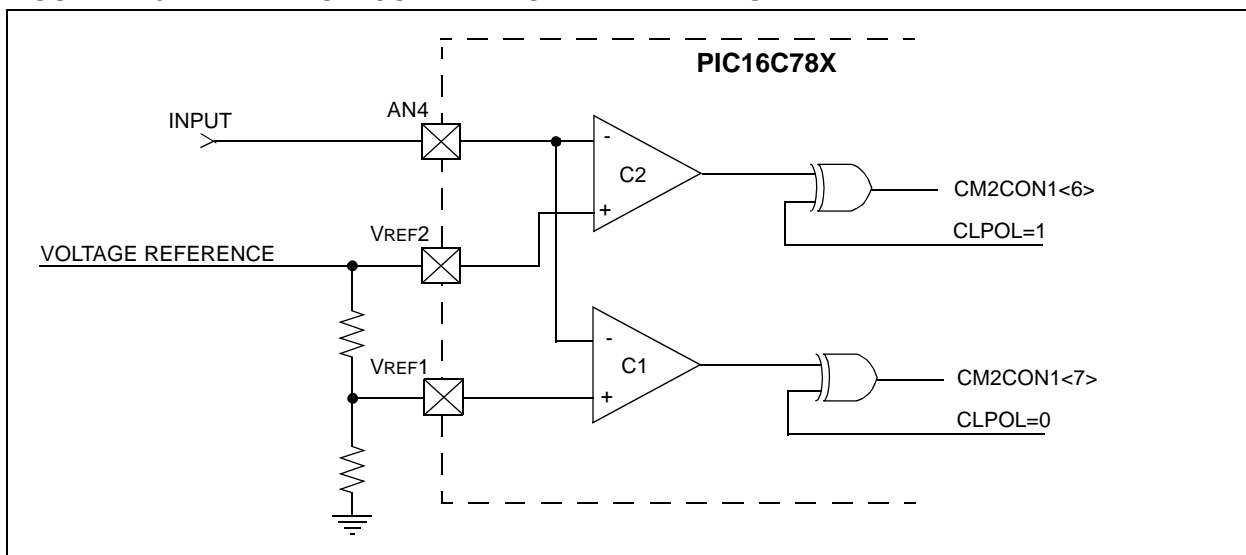
To form a low power window comparator, Comparators C1 & C2 are configured as follows:

- Common input RB0/INT/AN4/VREF
- Separate external reference voltages
- Programmed for slow speed operation

In addition, the output of comparator C2 must be inverted for common polarity with C1.

A block diagram of the window comparator with external connections is shown in Figure 12-4.

FIGURE 12-5: WINDOW COMPARATOR WITH INTERRUPT



EXAMPLE 12-3: WINDOW COMPARATOR

```

;* Example of Low Power Window Comparator C1
;* This code block will configure Comparator
;* C1 and C2 for slow speed, C1 non invert,
;* C2 invert, input on AN4, and external
;* References
;*
;* Interrupt service routine included
;*
BANKSEL    TRISA        ; Select Bank 1
BSF        TRISA,2      ; RA2 input
BSF        TRISA,3      ; RA3 input
BSF        TRISB,0      ; Set RB0

BSF        ANSEL,AN2    ; RA2 analog
BSF        ANSEL,AN3    ; RA3 analog
BSF        ANSEL,AN4    ; RB4 analog

BANKSEL    CM1CON0      ; Select Bank 2
MOVLW     B'10000000'   ; C1: no output
MOVWF     CM1CON0       ; VREF1, AN4
MOVLW     B'10010000'   ; C2: no output
MOVWF     CM2CON0       ; invert, VREF1, AN4

BANKSEL    PIE1         ; Select Bank 1
BCF        INTCON,GIE   ; Disable Int
BSF        PIE1,C1IE    ; Enabl C1&C2 Ints
BSF        PIE1,C2IE
BSF        INTCON,PEIE
BSF        INTCON,GIE   ; Enabl Global Ints
;*****
;* WINDOW COMPARATOR ISR with context save

WC_INT_SRV_R
MOVWF     W_SAVE        ; Save W & STATUS
SWAPF    STATUS,W
MOVWF     STATUS_SAV

BANKSEL    PIR1         ; Select Bank 0
MOVLW     B'00110000'   ; Save Int
ANDWF    PIR1,W
MOVWF     WIN_INT

;*** CLEAR C1 INTERRUPT

BTFSS    WIN_INT,C1IF; C1 Int ?
GOTO     TST_C2_INT
BANKSEL    CM1CON0      ; Select Bank 2
MOVF     CM1CON0,F      ; Clear C2 mismatch
BANKSEL    PIR1         ; Select Bank 0
BCF      PIR1,C1IF     ; Clear C2 Int

;*** CLEAR C2 INTERRUPT

TXT_C2_INT
BTFSS    WIN_INT,C2IF; C2 int?
GOTO     USER_ISR
BANKSEL    CM2CON0      ; Select Bank 2
MOVF     CM2CON0,F      ; Clear C2 mismatch
BANKSEL    PIR1         ; Select Bank 0
BCF      PIR1,C1IF     ; Clear C2 int

USER_ISR
;*** USER INTERRUPT ROUTING
;*

SWAPF    STATUS_SAVE,W; Restore W &
; STATUS
MOVWF    STATUS
SWAPF    W_SAVE,F
SWAPF    W_SAVE,W
RETFIE   ; Return

```

PIC16C781/782

12.3 Effects of RESET

A RESET forces all registers to their RESET state. This disables both comparators.

TABLE 12-2: REGISTERS ASSOCIATED WITH THE COMPARATOR MODULE

Address	Name	Bit 7	Bit 6	Bit 5	Bit 4	Bit 3	Bit 2	Bit 1	Bit 0	Value on: POR, BOR	Value on all other RESETS
119h	CM1CON0	C1ON	C1OUT	C1OE	C1POL	C1SP	C1R	C1CH1	C1CH0	0000 0000	0000 0000
11Ah	CM2CON0	C2ON	C2OUT	C2OE	C2POL	C2SP	C2R	C2CH1	C2CH0	0000 0000	0000 0000
11Bh	CM2CON1	MC1OUT	MC2OUT	—	—	—	—	—	C2SYNC	00-- ---0	00-- ---0
85h	TRISA	PORTA Data Direction Register								1111 1111	1111 1111
86h	TRISB	PORTB Data Direction Register								1111 1111	1111 1111
05h	PORTA	RA7	RA6	RA5	RA4	RA3	RA2	RA1	RA0	xxxx 0000	uuuu 0000
06h	PORTB	RB7	RB6	RB5	RB4	RB3	RB2	RB1	RB0	xxxx 0000	uuuu 0000
9Dh	ANSEL	AN7	AN6	AN5	AN4	AN3	AN2	AN1	AN0	1111 1111	1111 1111
0Ch	PIR1	LVDIF	ADIF	C2IF	C1IF	—	—	—	TMR1ON	0000 ---0	0000 ---0
8Ch	PIE1	LVDIE	ADIE	C2IE	C1IE	—	—	—	TMR1IE	0000 ---0	0000 ---0

Legend: x = unknown, u = unchanged, - = unimplemented, read as '0'. Shaded cells are not used for comparator.

13.0 PROGRAMMABLE SWITCH MODE CONTROLLER (PSMC)

The Programmable Switch Mode Controller module provides all the necessary features to implement a pulsed feedback control system. The PSMC generates a pulse output based on its analog feedback.

Feedback from the comparator is programmable, allowing:

- Single or dual channel feedback
- Programmable reference voltage selection
- Programmable polarity

The pulse output of the PSMC is also programmable, featuring either Pulse Width (PWM) or Pulse Skip (PSM) Modulation. In PSM, a fixed duty cycle is generated or skipped, based on feedback. In PWM a feedback controlled pulse width is generated. In addition, the output configuration of the PSMC is programmable, enabling the following features:

- A single output
- A single output plus a slope compensation output
- Dual alternating outputs

All pulse start and duty cycle limit timing features of the PSMC are derived from the internal CPU clock.

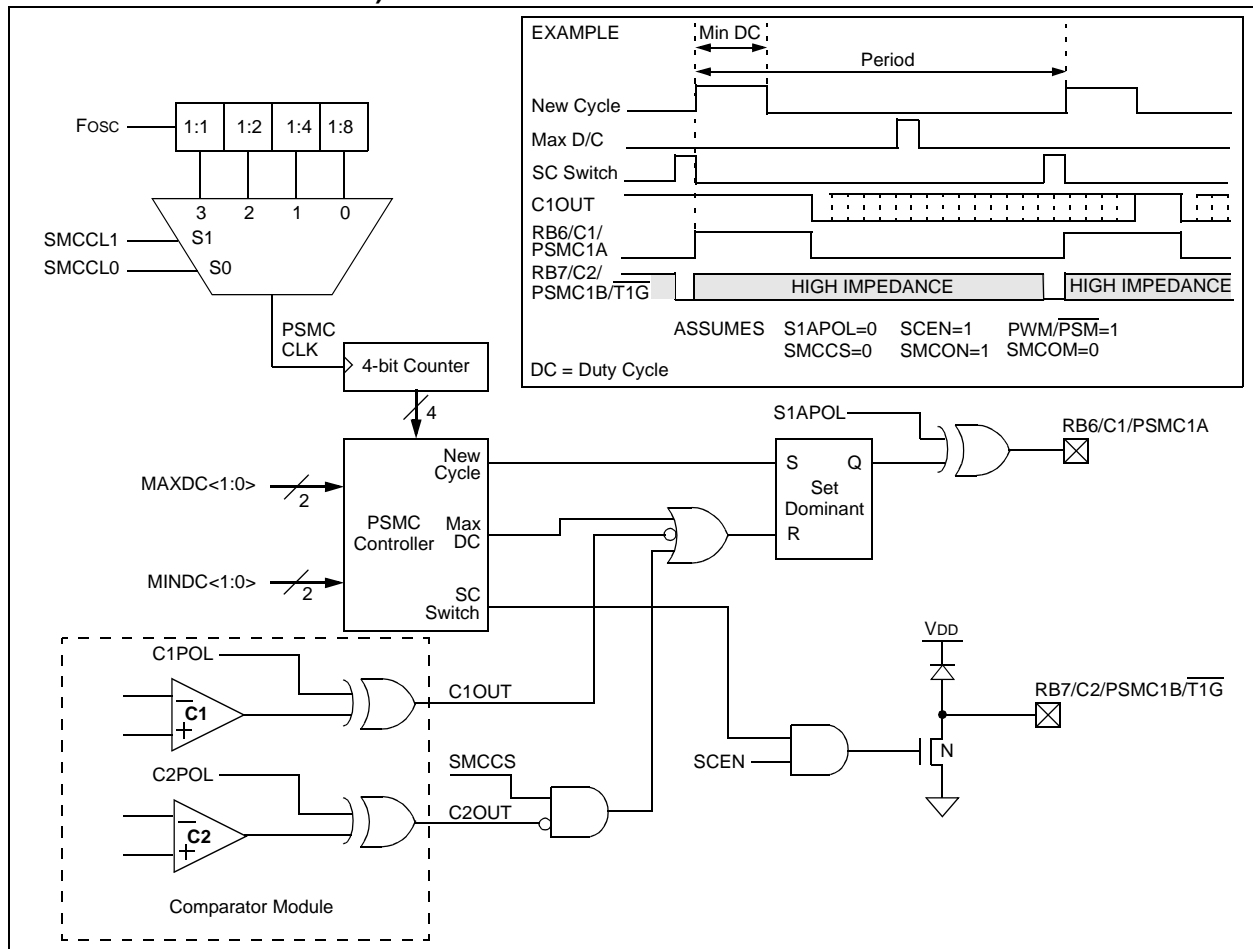
Block diagrams for the PSMC are shown in Figure 13-1 through Figure 13-3.

13.1 Pulse Width Modulation (PWM)

In the PWM mode, the PSMC (shown in Figure 13-1 and Figure 13-2) is a timer-driven set/RESET pulse generator. Pulses are initiated by the internal counter chain. Following the completion of the programmable minimum duty cycle, the output pulse is terminated by either a high to low transition on the comparator output, or by the programmable maximum duty cycle (see Table 13-1 and Table 13-2). The resulting output is a variable duty cycle pulse with:

- Programmable frequency
- Feedback specified duty cycle
- Programmable minimum duty cycle including 0%
- Programmable maximum duty cycle

FIGURE 13-1: PSMC MODULE IN SINGLE OUTPUT PWM MODE (SIMPLIFIED BLOCK DIAGRAM)



PIC16C781/782

FIGURE 13-2: PSMC MODULE IN DUAL ALTERNATING OUTPUT PWM MODE (SIMPLIFIED BLOCK DIAGRAM)

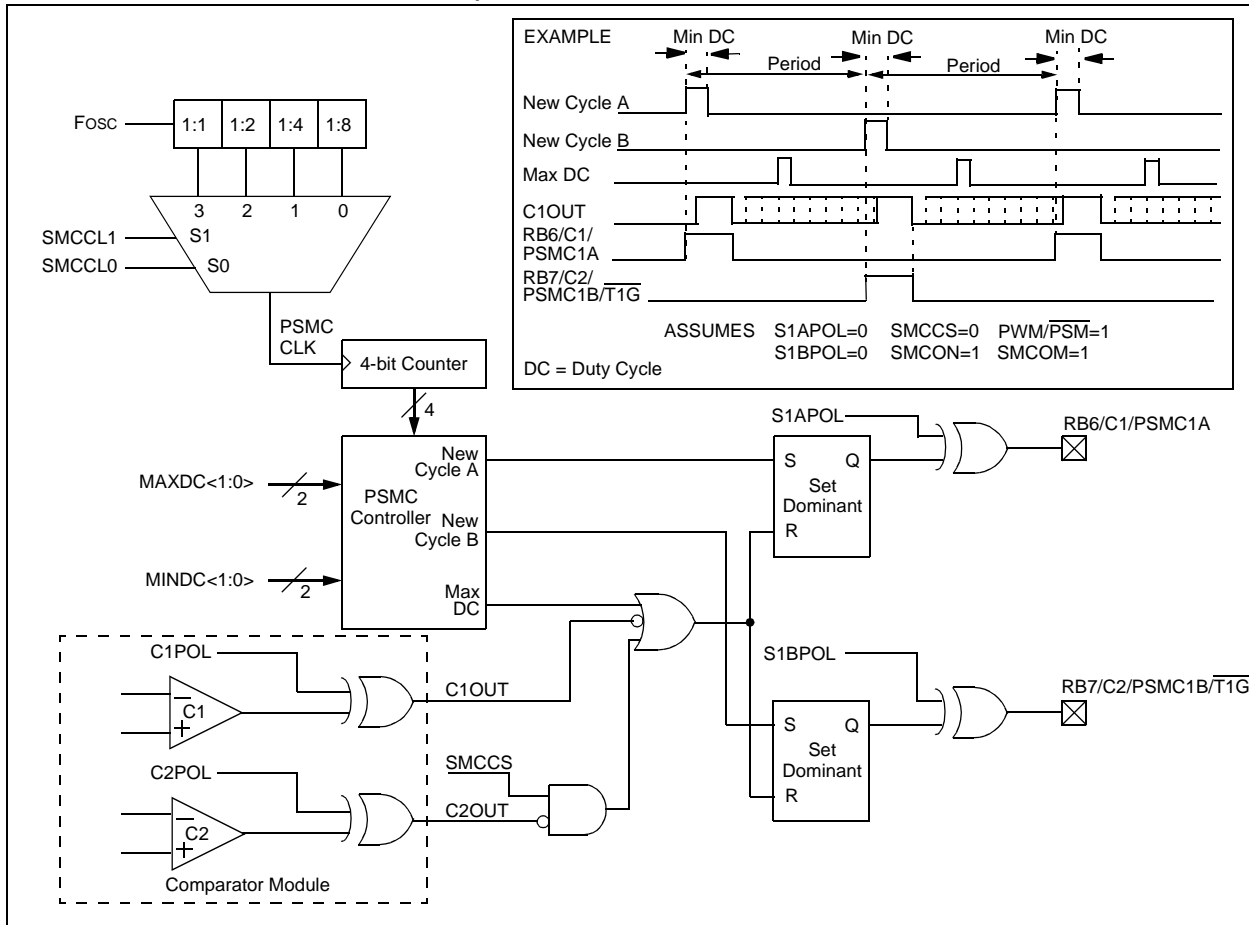


TABLE 13-1: PSMC1A OUTPUT SEQUENCE IN PWM MODE USING C1 COMPARATOR ONLY

Time	MINDC<1:0>	C1OUT	PSMC1A Output Signal
Beginning of PWM cycle	00	H	0 → 1
		L	0
	non-zero	x	0 → 1
During Min Duty Cycle	non-zero	x	1
After Min Duty Cycle, Before Max Duty Cycle	x	H → L	q → 0
		L → H	0
Max Duty Cycle	x	x	q → 0

Legend: x = Don't Care q = Prior State 0 = Inactive 1 = Active H = High L = Low

TABLE 13-2: PSMC1A OUTPUT SEQUENCE IN PWM MODE USING C1 AND C2 COMPARATORS

Time	MINDC<1:0>	C1OUT	C2OUT	PSMC1A Output Signal
Beginning of PWM cycle	00	H	H	0 → 1
		L	x	0
		x	L	0
	non-zero	x	x	0 → 1
During Min Duty Cycle	non-zero	x	x	1
After Min Duty Cycle, Before Max Duty Cycle	x	H → L	H	q → 0
		L → H	x	0
		H	H → L	q → 0
		x	L → H	0
Max Duty Cycle	x	x	x	q → 0

Legend: x = Don't Care q = Prior State 0 = Inactive 1 = Active H = High L = Low

PIC16C781/782

13.1.1 PULSE SKIP MODULATION (PSM)

In PSM (Pulse Skip Modulation), the PSMC operates as a fixed duty cycle pulse generator, with its output gated by the analog feedback (see Figure 13-3). Immediately prior to the initiation of a pulse, the analog feedback is sampled. If the comparator output = H, a pulse is initiated and held active for the programmed duty

cycle. If the comparator output = L, no pulse is initiated and the PSMC waits for the start of the next pulse (see Table 13-3 and Table 13-4). In this mode, both the frequency and duty cycle of the output pulse are programmable. The analog feedback gates the presence or absence of the pulse on a pulse-by-pulse basis.

FIGURE 13-3: PSMC MODULE IN SINGLE OUTPUT PSM MODE (SIMPLIFIED BLOCK DIAGRAM)

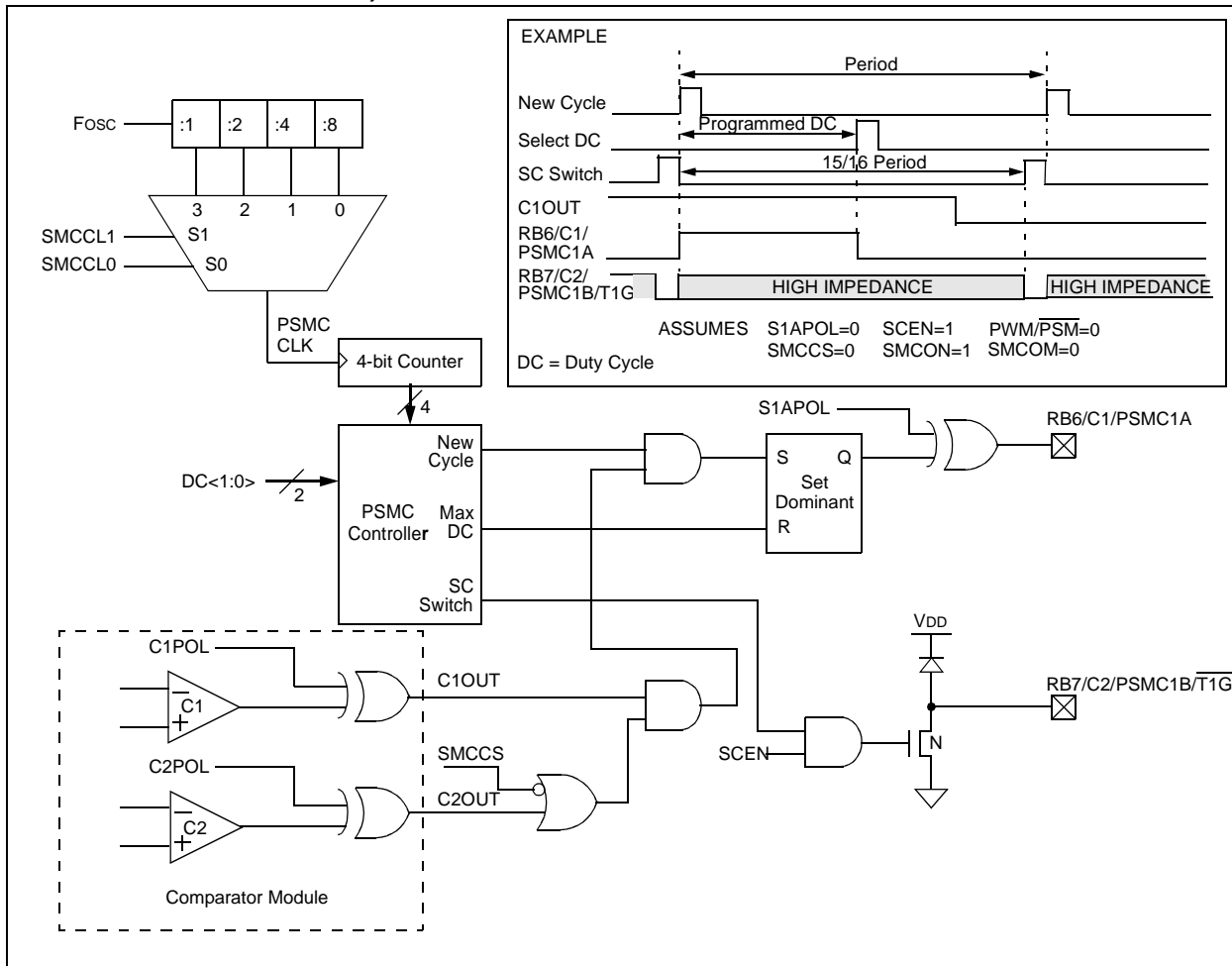


TABLE 13-3: PSMC1A OPERATION IN PSM MODE USING C1 COMPARATOR ONLY

Time	C1OUT	PSMC1A Output Signal
Beginning of PSM cycle	H	0 → 1
	L	0
During Pulse	x	No Change
		1
End of Pulse	x	1 → 0

Legend: x = Don't Care 0 = Inactive 1 = Active H = High L = Low

TABLE 13-4: PSMC1A OUTPUT SEQUENCE IN PSM MODE USING C1 AND C2 COMPARATORS

Time	C1OUT	C2OUT	PSMC1A Output Signal
Beginning of PSM cycle	H	H	0 → 1
	L	x	0
	x	L	0
During Pulse Duty Cycle	x	x	No Change
	x	x	No Change
After Pulse Duty Cycle	x	x	1 → 0

Legend: x = Don't Care 0 = Inactive 1 = Active H = High L = Low

13.1.2 SINGLE OR DUAL OUTPUT

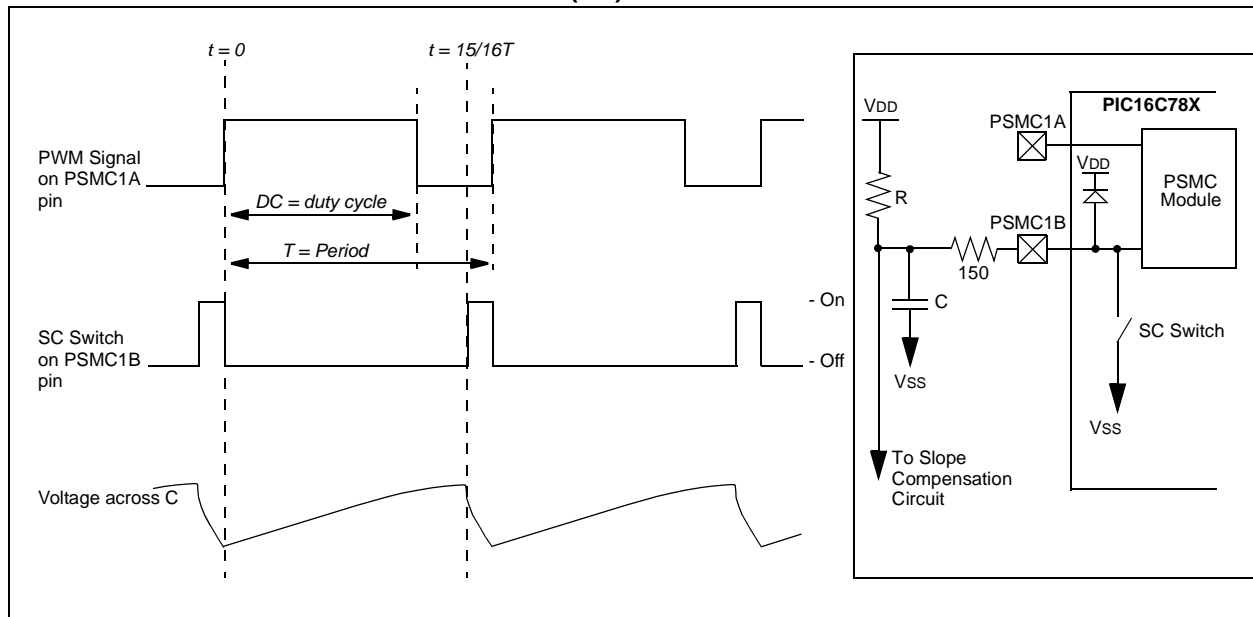
The PSMC has the capability to operate with either a single output, or dual alternating outputs. In the single output mode, the PSMC generates an output pulse on PSMC1A output only. The pulses are at the programmed frequency, and are variable between the programmed minimum and maximum duty cycle limits. In the dual output mode, the PSMC generates output pulses which alternate between PSMC1A and PSMC1B. The pulses generated at each output are generated at one half of the programmed frequency, and between 50% of the programmed minimum, and 50% maximum of the output duty cycle. The maximum duty cycle for either output is 50%.

13.1.3 SLOPE COMPENSATION

An optional feature of the PSMC single output mode is the ability to configure the PSMC1B output for use as a slope compensation ramp generator. In this mode, the PSMC1B output is pulled low for the last 1/16 of each pulse cycle. Connecting the PSMC1B output to an RC network, similar to Figure 13-4, results in a positive going pseudo ramp function. This pseudo ramp function is useful as an offset function for the loop error signal in unstable conditions at a duty cycle of greater than 50%.

Note: When the Slope Compensation switch is enabled (SMCOM = 0, and SCEN = 1), the S1BPOL bit has no effect (see RC Network on next page for more detail).

FIGURE 13-4: SLOPE COMPENSATION (SC) SWITCH OPERATION



PIC16C781/782

13.2 Control Registers

The PSMC is controlled by means of two special function registers: PSMCCON0 and PSMCCON1.

The PSMCCON0 register (Register 13-1) contains control bits for:

- Frequency of the output pulse
- Minimum and maximum duty cycle in PWM mode
- Fixed duty cycle in PSM mode

The PSMCCON1 register (Register 13-2) contains the control bits for:

- Enabling the PSMC module
- Setting the PSMC mode
- Configuring inputs and outputs

Note: Following RESET, both the PSMC1A and PSMC1B outputs are held tri-state until the PSMC is configured. Driver circuitry for all power MOSFET transistors must have a resistor bias to turn off the transistor in the event of tri-state conditions, on either PSMC1A or PSMC1B, to prevent excessive stress on the MOSFET's and their associated circuitry.

13.2.1 PSMCCON0 REGISTER

The SMCCCL<1:0> bits in the PSMCCON0 register, are used to set the pulse frequency of the PSMC.

Note: Changing SMCCCL<1:0> bits with the PSMC enabled (SMCON=1) can result in unpredictable output. Always disable PSMC before changing SMCCCL<1:0>.

In the PWM mode, the MINDC <1:0> bits (PSMCCON0 <5:4>) specify the minimum duty cycle.

In the PWM mode, the MAXDC <1:0> bits (PSMCCON0 <3:2>) specify the maximum duty cycle limit.

In the PSM mode, the DC<1:0> bits (PSMCCON0<1:0>) specify the fixed duty cycle.

13.2.2 PSMCCON1 REGISTER

To enable the PSMC operation, the SMCON bit in the PSMCCON1 register must be set (see Register 13-2).

The PWM/ $\overline{\text{PSM}}$ bit (PSMCCON1<1>) configures the output mode of the PSMC. When the PWM/ $\overline{\text{PSM}}$ bit is set, the PSMC is configured for a PWM output. When the PWM/ $\overline{\text{PSM}}$ bit is cleared, a fixed duty cycle pulse is output.

The SMCCS bit (PSMCCON1<0>) sets the input mode. When the SMCCS bit is set, the PSMC is configured for two inputs: C1 and C2. When cleared, only Comparator C1 is used.

SMCOM bit (PSMCCON1<1>) determines the number of outputs from the PSMC. When SMCOM is set, both PSMC1A and PSMC1B are active. When SMCOM is cleared, only the PSMC1A output is active and the PSMC1B output is available for another function.

S1APOL and S1BPOL control the polarity of the PSMC outputs. Setting the polarity bit configures the corresponding output for an active low state. Clearing the bit results in an active high output.

The SCEN bit (PSMCCON1<2>) enables the slope compensation output. When SCEN is set (and SMCOM is cleared) the PSMC1B output is configured to generate a slope compensation signal.

Note: PSMC outputs must have their corresponding direction bits cleared in TRISB; TRISB<6>: for PSMC1A, and TRISB<7> for PSMC1B.

TABLE 13-5: PSMC OUTPUT MODES

FUNCTION	PSMC		PORTB	
	SMCOM	SCEN	TRISB<6>	TRISB<7>
Single Output	0	0	0	*
Single Output + Slope Compensation	0	1	0	0
Dual Output	1	x	0	0

Legend: x = Don't Care

*As needed for other functions (such as C2, RB7, $\overline{\text{T1G}}$).

REGISTER 13-1: PSMC CONTROL REGISTER0 (PSMCCON0: 111h)

R/W-0	R/W-0	R/W-0	R/W-0	R/W-0	R/W-0	R/W-0	R/W-0
SMCCL1	SMCCL0	MINDC1	MINDC0	MAXDC1	MAXDC0	DC1	DC0
bit 7						bit 0	

- bit 7-6 **SMCCL<1:0>**: Clock Frequency Select bits
 00 = Output frequency for single output mode is $F_{OSC}/128$
 01 = Output frequency for single output mode is $F_{OSC}/64$
 10 = Output frequency for single output mode is $F_{OSC}/32$
 11 = Output frequency for single output mode is $F_{OSC}/16$
- bit 5-4 **MINDC<1:0>**: Minimum Duty Cycle Select bits for PWM Mode
 00 = Min duty cycle of 0
 01 = Min duty cycle of 1/8
 10 = Min duty cycle of 1/4
 11 = Min duty cycle of 3/8
- bit 3-2 **MAXDC<1:0>**: Maximum Duty Cycle Select bits for PWM Mode
 00 = Max duty cycle of 1/2
 01 = Max duty cycle of 5/8
 10 = Max duty cycle of 3/4
 11 = Max duty cycle of 15/16
- bit 1-0 **DC<1:0>**: Duty Cycle Select bits for PSM Mode
 00 = Duty cycle of 1/8
 01 = Duty cycle of 3/8
 10 = Duty cycle of 5/8
 11 = Duty cycle of 15/16

Legend:			
R = Readable bit	W = Writable bit	U = Unimplemented bit, read as '0'	
- n = Value at POR	'1' = Bit is set	'0' = Bit is cleared	x = Bit is unknown

PIC16C781/782

REGISTER 13-2: PSMC CONTROL REGISTER1 (PSMCCON1: 112h)

R/W-0	R/W-0	R/W-0	U-0	R/W-0	R/W-0	R/W-0	R/W-0
SMCON	S1APOL	S1BPOL	—	SCEN	SMCOM	PWM/PSM	SMCCS

bit 7

bit 0

- bit 7 **SMCON:** PSMC Module Enable bit
 1 = PSMC module on
 0 = PSMC module off
- bit 6 **S1APOL:** PSMC1A Output Polarity Control bit
 1 = PSMC1A output signal is asserted low
 0 = PSMC1A output signal is asserted high
- bit 5 **S1BPOL:** PSMC1B Output Polarity Control bit
 1 = PSMC1B output signal is asserted low
 0 = PSMC1B output signal is asserted high
- bit 4 **Unimplemented:** Read as '0'
- bit 3 **SCEN:** Slope Compensation Output Enable bit
If SMCOM = 1:
 x = This bit is ignored
If SMCOM = 0:
 1 = Slope Compensation Switch on PSMC1B pin is enabled
 0 = Slope Compensation Switch on PSMC1B pin is not enabled. PSMC1B pin is available for other functions.
- bit 2 **SMCOM:** PSMC Output Mode bit
 1 = Dual alternating output mode. The module outputs are available on the PSMC1A and PSMC1B pins.
 0 = Single output mode. The module output is available on the PSMC1A pin.
- bit 1 **PWM/PSM:** PSMC Modulation Mode Select bit
 1 = PWM mode (Pulse Width Modulation)
 0 = PSM mode (Pulse Skipping Modulation)
- bit 0 **SMCCS:** PSMC Comparator Select bit
 1 = PSMC module uses inputs from both C1OUT and C2OUT
 0 = SMC module uses input from C1OUT only

Legend:			
R = Readable bit	W = Writable bit	U = Unimplemented bit, read as '0'	
- n = Value at POR	'1' = Bit is set	'0' = Bit is cleared	x = Bit is unknown

13.3 Configuration

The programmable nature of the PSMC lends itself to a wide variety of applications involving current or voltage management. The following examples are intended to provide suggested applications for the PSMC. The examples are not complete designs, but rather block diagrams of some potential applications of the PSMC. For a broader list of applications, including supporting math and firmware examples, please refer to Microchip web page for applicable Application Notes.

13.3.1 EXAMPLE BOOST LC SWITCHING POWER SUPPLY

In this example, the PSMC controls the boost configuration switching power supply in Figure 13-5.

The PSMC is configured as a two feedback loop PWM, current mode, switching power supply controller. The inner current feedback loops consist of:

- PSMC
- MOSFET driver
- Power MOSFET Q1
- Inductor L1
- Current transformer
- Comparator C1

The outer voltage feedback loop consists of:

- Diode D1
- CMAIN
- OPAMP feedback filter
- DAC reference

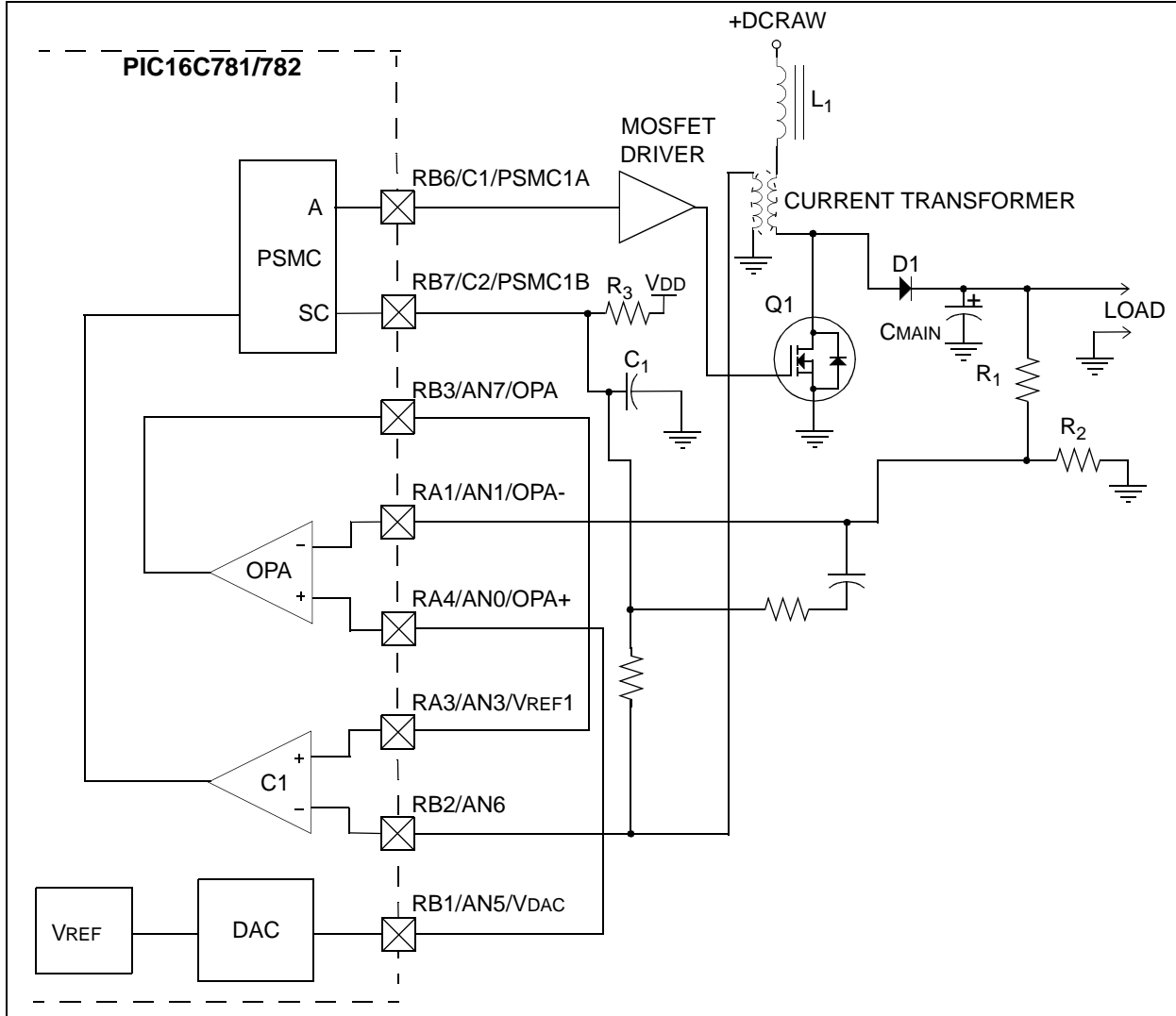
The inner current loop is a pulsed current source driven by the PSMC. During the active phase of the output pulse, the inner loop builds up a current flow in inductor L1. The current in L1 is monitored by the current transformer. The output of the transformer is offset by the ramp from the slope compensation network R3/C1 and then fed into the comparator. When the voltage (proportional to the current flow in L1, offset by the slope compensation) exceeds the error voltage from the OPAMP, Q1 is turned off and L1 discharges through D1 into CMAIN for the remainder of the period.

The outer voltage loop monitors the output voltage across CMAIN using R1/R2. The reference voltage from the DAC is subtracted, generating the raw error voltage. The raw error voltage is filtered by the OPAMP and routed to Comparator C1 in the inner current loop.

The phase compensation output of the PSMC acts to improve loop stability by adding a pseudo-ramp waveform to the current sense transformer feedback in the inner loop. In conditions where the charge phase of the cycle is greater than 50%, the increased current feedback reduces the current charge in L1, slowing the charging of CMAIN. The result is a reduction in the overall loop gain for duty cycles of >50%, maintaining loop stability.

PIC16C781/782

FIGURE 13-5: EXAMPLE BOOST CONFIGURATION LC SWITCHING POWER SUPPLY



Note: The OPAMP, Comparator and DAC must be configured, prior to enabling the PSMC to prevent unpredictable operation which may stress the power MOSFET transistors.

EXAMPLE 13-1: PSMC CONFIGURATION EXAMPLE

```

;* This code block will configure the PSMC and
;* all additional peripherals for a boost mode
;* switching power supply.
;*
;* Order of configuration
;* 1. PORTA/B I/O and analog configured
;* 2. DAC enabled, configured, and preset
;* 3. Op Amp enabled and configured
;* 4. Comparator C1 enabled and configured
;* 5. PSMC configured
;* 6. PSMC enabled

*****
;* This code block will configure all analog ports.

    BANKSEL    TRISA            ; Select Bank 1
    MOVLW     B'00001011'
    MOVWF     TRISA            ; Set RA0,1,& 3 as inputs
    MOVLW     B'11001110'
    MOVWF     TRISB            ; Set RB1,2,3,6 & 7 as inputs
    MOVLW     B'11101011'      ; Configure RA0, RA1, RA3,
    MOVWF     ANSEL            ; RB1, RB2, RB3 as analog

;*****
;* This code block will configure the DAC for VDD as
;* DACREF, and RB1/AN5/VDAC as an output

    BANKSEL    DACON0          ; Select Bank 2

    CLRF      DAC              ; Set DAC to safe value
    MOVLW     B'11000000'      ; Enable DAC, output
    MOVWF     DACON0           ; and set DACREF = VDD

    MOVLW     OUTPUT_VALUE
    MOVWF     DAC              ; Set DAC output level
;*****
;* This code block will configure the OPA module as an
;* Op Amp, with a 2MHz GBWP

    MOVLW     B'10000001'      ; Set Op Amp mode and
    MOVWF     OPACON           ; 2MHz GBWP

;*****
;* This code block will configure Comparator C1
;* for normal speed and output polarity,
;* input on AN6, and Reference from the VREF1

    MOVLW     B'10001010      ; Set C1, no ext out, norm
    MOVWF     CM1CON0          ; speed & pol, VREF1, AN6

;*****
;* This code block will configure the PSMC module
;* for PWM, FOSC/128, Single in, Single pulse out, slope comp out
;* Non-inverting out, DC min = 0%, DC max = 75%

    MOVLW     B'00001000'
    MOVWF     PSMCCON0         ; Set DCmin 0, DCmax 75, FOSC/128
    MOVLW     B'00001010'      ; Set PWM Sngl in, Sngl out non-invert
    MOVWF     PSMCCON1         ; Slope comp
    BSF       PSMCCON1,SMCON   ; Enable PSMC

```

PIC16C781/782

13.3.2 EXAMPLE BUCK LC SWITCHING POWER SUPPLY

In this example, the PSMC controls the buck configuration switching power supply in Figure 13-6.

The PSMC is configured as a typical PWM, current mode, switching power supply controller. The inner current feedback loops consist of:

- PSMC
- 2 MOSFET drivers
- Power MOSFETs Q1 and Q2
- Inductors L1 and L2
- Current transformer
- Comparator C1/C2

The outer voltage feedback loop consists of:

- Diodes D1, D2, D3, and D4
- CMAIN
- OPAMP feedback filter
- DAC reference

The circuit uses two feedback loops, an inner current control loop, and an outer voltage loop. The inner loop is further divided into two channels, Q1/L1, and Q2/L2. The PSMC operates a PWM output, alternately driving Q1 for a cycle, then driving Q2 the next. During the active phase of either output pulse, the inner loop builds up a current flow in the output's inductor, proportional to the error voltage received from the OPAMP. The current flow in the inductor begins the charging of CMAIN. When the voltage (proportional to the current flow in the inductor) exceeds the error voltage:

- The comparator resets the PSMC output
- The MOSFET is turned off
- The flyback diode forward biases
- The inductor discharges into CMAIN for the remainder of the period.

The outer voltage loop monitors the output voltage across CMAIN via R1/R2. The reference voltage from the DAC is subtracted from the feedback voltage to generate the raw error voltage. The raw error voltage is then filtered by the OPAMP and routed to Comparator C1 in the inner current loop.

In using two alternating outputs, the outputs are limited to less than 50% duty cycle. As a result, the circuit avoids the problems associated with instability at duty cycles of >50%.

For more information concerning the design of switching power supplies, refer to:

Switching Power Supply Design, by Abraham I. Pressman, published by McGraw Hill (ISBN 0-07-052236-7).

<p>Note: Following RESET, both the PSMC1A and PSMC1B outputs are held tri-state until the PSMC is configured. Driver circuitry for all power MOSFET transistors must have a resistor bias to turn off the transistor in the event of tri-state conditions on either output to prevent undo stress on the MOSFET's and their associated circuitry.</p>
--

EXAMPLE 13-2: EXAMPLE PSMC CONFIGURATION FOR A BUCK MODE SWITCHING POWER SUPPLY

```

;* PSMC Initialization
;* This code block will configure the PSMC
;* and all additional peripherals for a buck
;* mode switching power supply.
;*
;* Order of configuration
;* 1. PORTA/B I/O and analog configured
;* 2. DAC enabled, configured, and preset
;* 3. Op Amp enabled and configured
;* 4. Comparator C1 enabled and configured
;* 5. PSMC configured
;* 6. PSMC enabled
;*****
;* This code block will configure all analog ports.
;
    BANKSEL    TRISA            ; Select Bank 1
    MOVLW     B'00001011'
    MOVWF     TRISA            ; Set RA0,1,& 3 as inputs
    MOVLW     B'11001110
    MOVWF     TRISB            ; Set RB1,2,3,6 & 7 as inputs
    MOVLW     B'11101011'
    MOVWF     ANSEL            ; Set AN0,1,3,5,6 & 7 as analog

;*****
;* This code block will configure the DAC for VDD as
;* DACREF, and RB1/AN5/VDAC as an output.

    BANKSEL    DACON0          ; Select Bank 2

    CLRF      DAC              ; Set DAC to safe value
    MOVLW     B'11000000'      ; Enable DAC, output
    MOVWF     DACON0           ; and set DACREF = VDD

    MOVLW     OUTPUT_VALUE     ; Set dAC output level
    MOVWF     DAC

;*****
;* This code block will configure the OPA module
;* as an Op Amp, with a 3 MHZ GBWP

    MOVLW     B'10000001'      ; Set Op Amp mode and
    MOVWF     OPACON           ; 2 MHz GBWP

;*****
;* This code block will configure Comparator C1
;* for normal speed and output polarity,
;* input on AN6, and Reference from the VREF1

    MOVLW     B'10001010'      ; Set C1; no ext out, norm
    MOVWF     CM1CON0          ; speed & pol, VREF1, AN6

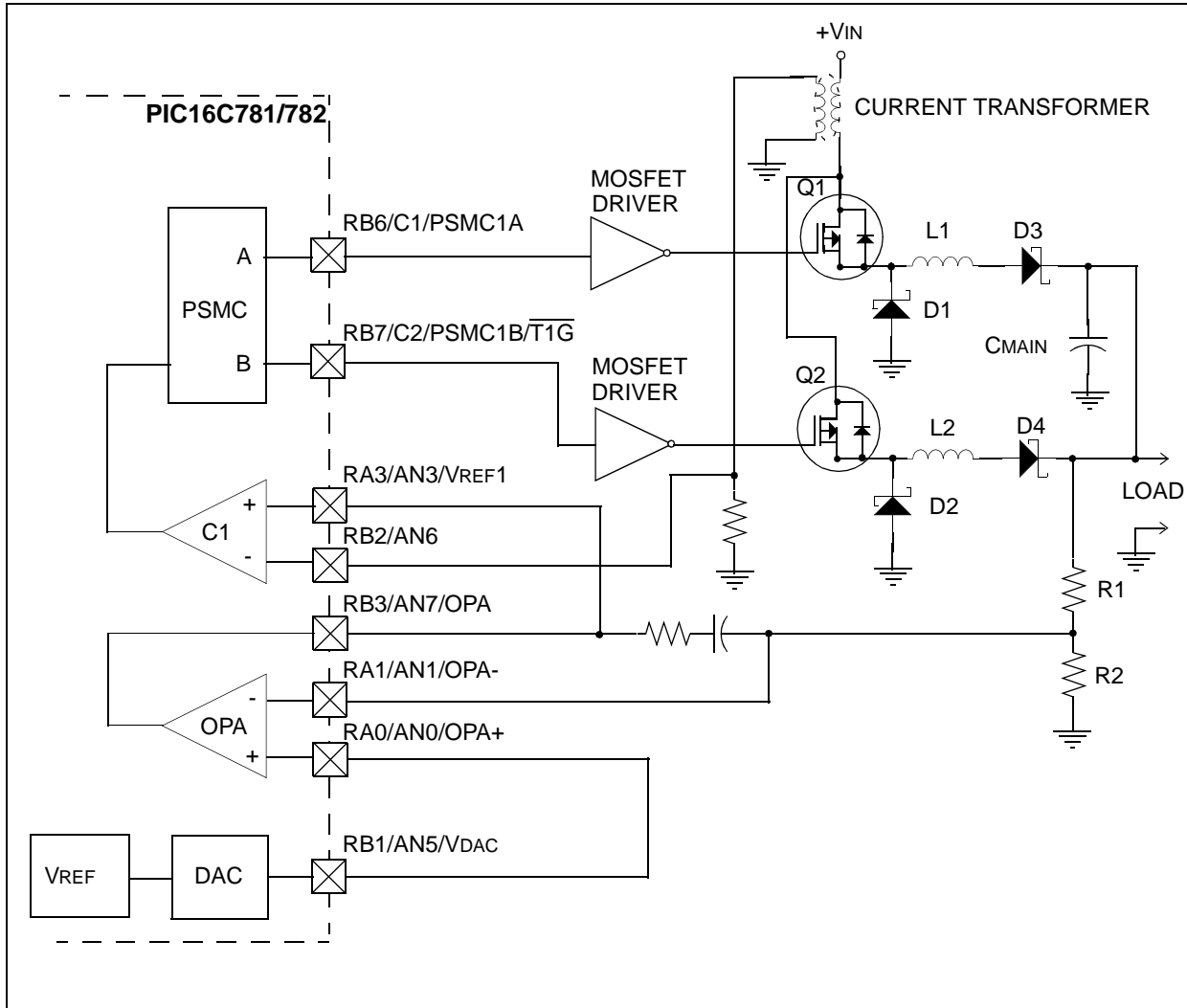
;*****
;* This code block will configure the PSMC module
;* for PWM, Fosc/128, Single input, Single output
;* Non-inverting out, DC min = 0%, DC max = 50%

    MOVLW     B'0000000'
    MOVWF     PSMCCON0         ; Set DCmin 0, DCmax 50, Fosc/128
    MOVLW     B'00000110'
    MOVWF     PSMCCON1         ; Set PWM, 1 in, 2 out, noninvert
    BSF      PSMCCON1,SMCON    ; Enable PSMC

```

PIC16C781/782

FIGURE 13-6: EXAMPLE BUCK CONFIGURATION LC POWER SUPPLY



13.3.3 EXAMPLE MOTOR SPEED CONTROL

In Figure 13-7, the PSMC acts as a speed control for a brushless DC motor. The direction of the current in the motor winding is set by feedback from a Hall effect position sensor on the motor. The sensor switches the phase in the motor in response to the rotation of the rotor so that the magnetic field rotates just ahead of the rotor, pulling it in the desired direction. The speed at which the rotor spins is a function of the mechanical load on the rotor and the current in the field winding.

Speed control is accomplished by monitoring the speed via the Hall effect sensor and regulating the current in the winding appropriately. The winding current is regulated by the PSMC to be proportional to the value supplied by the DAC module. The feedback loop is closed by software making periodic measurement of the rotor speed using the Hall Effect sensor/Timer1 and adjusting the output value of the DAC appropriately.

The algorithm (used to determine the values output by the DAC module) depends on:

- mechanical system connected to the motor
- motor characteristics
- characteristics of the high current drive

An analysis of the mechanics of the system and the design of an appropriate control algorithm is beyond the scope of this Data Sheet. Therefore, the designer should consult a text dealing with the design of motor speed controls and feedback control system, in general, for the necessary design guidance.

EXAMPLE 13-3: PERIPHERAL CONFIGURATION EXAMPLE

```

*****
;* This code block will configure the PSMC and
;* all additional peripherals for a motor speed
;* control.
;*
;* Order of configuration
;* 1. PORTA/B I/O and analog configured
;* 2. DAC enabled, configured, and preset
;* 3. Op Amp enabled and configured
;* 4. Comparator C1 enabled and configured
;* 5. PSMC configured
;* 6. PSMC enabled
;*
*****
;* This code block will configure all analog ports.

    BANKSEL    TRISA            ; Select Bank 1
    MOVLW     B'01000011'
    MOVWF     TRISA            ; Set RA0,1 & 6 as inputs
    MOVLW     B'00001100'
    MOVWF     TRISB            ; Set RB2 & 3 as inputs
    MOVLW     B'11000011'
    MOVWF     ANSEL            ; Set AN0,1,6,& 7 as analog

;*****
;* This code block will configure the DAC for VR as
;* DACREF, and no output.

    BANKSEL    REFCON
    BSF        REFCON, VREN     ; Enable VR
    BANKSEL    DACON0          ; Select Bank 2

    CLRF      DAC              ; Set DAC to safe value
    MOVLW     B'10000010'      ; Enable DAC, no output
    MOVWF     DACON0           ; and set DACREF = VR

    MOVLW     OUTPUT_VALUE
    MOVWF     DAC              ; Set DAC output level

;*****
;* This code block will configure the OPA module
;* as an Op Amp, with a 2 MHz GBWP

    MOVLW     B'10000001'      ; Set Op Amp mode and
    MOVWF     OPACON           ; 2 MHz GBWP

;*****
* This code block will configure Comparator C1
* for normal speed and output polarity,
* input on AN6, and Reference from the VDAC

    MOVLW     B'10001110'      ; Set C1; no ext out, norm
    MOVWF     CM1CON0          ; speed & pol, VDAC, AN6

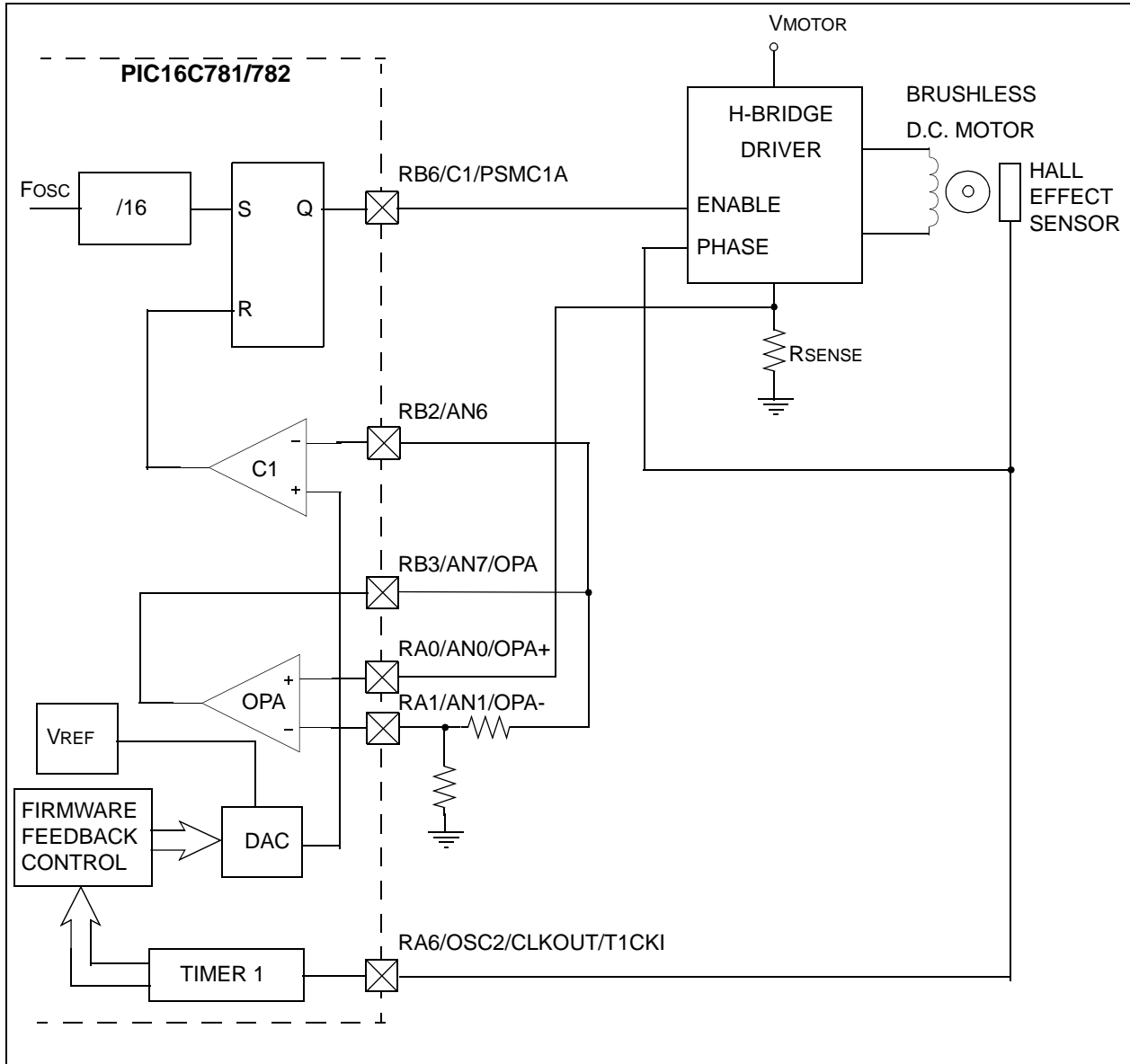
;*****
;* This code block will configure the PSMC module
;* for PWM, Fosc/16, Single input, Single output
;* Non-inverting out, DC min = 0%, DC max = 94%

    MOVLW     B'11001100'
    MOVWF     PSMCCON0         ; Set DCmin 0, DCmax 94, Fosc/16
    MOVLW     B'00000010'
    MOVWF     PSMCCON1         ; Set PWM, Sngl in/out, noninvert
    BSF        PSMCCON1, SMCON ; Enable PSMC

```

PIC16C781/782

FIGURE 13-7: EXAMPLE BRUSHLESS D.C. MOTOR CONTROL



13.4 Effects of SLEEP and RESET

A device RESET forces all registers to their RESET state. This disables the PSMC and resets its outputs to digital inputs. It is good design practice to include a fail-safe resistor bias in all power transistor drive circuitry. The fail-safe circuit should disable the power device when the PSMC output drive transistor is held tri-state. This protects the power device and its associated circuitry from the stress of prolonged operation without feedback.

Placing the PIC16C781/782 into SLEEP mode will stop the main oscillator for the microcontroller. The PSMC derives its timing from the main oscillator. Therefore, operation of the PSMC will halt when the microcontroller enters SLEEP mode. To prevent damage, the outputs of the PSMC are gated so that they are driven to their inactive state whenever the device enters SLEEP mode. When the microcontroller wakes up, the PSMC resumes operation per its previously programmed configuration.

TABLE 13-6: REGISTERS ASSOCIATED WITH THE PSMC

Address	Name	Bit 7	Bit 6	Bit 5	Bit 4	Bit 3	Bit 2	Bit 1	Bit 0	Value on: POR, BOR	Value on all other RESETS
86h,186h	TRISB	PORTB Data Direction Register								1111 1111	1111 1111
11Ah	CM2CON0	C2ON	C2OUT	C2OE	C2POL	C2SP	C2R	C2CH1	C2CH0	0000 0000	0000 0000
119h	CM1CON0	C1ON	C1OUT	C1OE	C1POL	C1SP	C1R	C1CH1	C1CH0	0000 0000	0000 0000
111h	PSMCCON0	SMCCL1	SMCCL0	MINDC1	MINDC0	MAXDC1	MAXDC0	DC1	DC0	0000 0000	0000 0000
112h	PSMCCON1	SMCON	S1APOL	S1BPOL	—	SCEN	SMCOM	PWM/PSM	SMCCS	000- 0000	000- 0000

Legend: x = unknown, u = unchanged, - = unimplemented, read as '0'. Shaded cells are not used for PSMC.

PIC16C781/782

NOTES:

14.0 SPECIAL FEATURES OF THE CPU

These devices have a host of features intended to maximize system reliability, minimize cost through elimination of external components, provide power saving operating modes and offer code protection. These features include:

- Oscillator selection
- RESET
 - Power-on Reset (POR)
 - Power-up Timer (PWRT)
 - Oscillator Start-up Timer (OST)
 - Programmable Brown-out Reset (PBOR)
- Interrupts
- Watchdog Timer (WDT)
- Programmable Low Voltage Detection (PLVD)
- SLEEP
- Code protection
- ID locations
- In-Circuit Serial Programming™ (ICSP™)

Several oscillator options are available to allow the part to fit the application. The INTRC oscillator options save system cost while the LP crystal option saves power. A set of configuration bits is used to select various options.

The CPU also features a Watchdog Timer (WDT), which can be enabled either through a configuration bit during programming, or by the software. For added reliability, the WDT runs off its own internal RC oscillator instead of the main CPU clock.

In addition to the WDT, the CPU incorporates both an Oscillator Start-up Timer and a Power-up Timer. The Oscillator Start-up Timer (OST) is intended to hold the chip in RESET until the crystal oscillator has stabilized. The Power-up Timer (PWRT) holds the CPU in a fixed RESET delay of 72ms (nominal) on Power-up Resets (POR and PBOR), while the power supply stabilizes. With these two timers on-chip, most applications need no external RESET circuitry.

SLEEP mode is designed to offer a very low current power-down mode. The user can awaken from SLEEP through:

- External RESET
- Watchdog Timer Wake-up
- Interrupt

Additional information on special features is available in the PICmicro™ Mid-Range Reference Manual, (DS33023).

14.1 Configuration Bits

The configuration bits can be programmed (read as '0'), or left unprogrammed (read as '1'), to select various device configurations. These bits are mapped in program memory location 2007h.

Note: Address 2007h is beyond the user program memory space, which can be accessed only during programming.

Some of the core features provided may not be necessary for each application in which a device may be used. The configuration word bits allow these features to be configured/enabled/disabled as necessary. These features include:

- Code Protection
- PBOR Trip Point
- Power-up Timer
- Watchdog Timer
- Device Oscillator Mode

As can be seen in Table 14-1, some additional configuration word bits have been provided for Brown-out Reset trip point selection.

PIC16C781/782

REGISTER 14-1: CONFIGURATION WORD FOR PIC16C781/782 DEVICE (CONFIG:2007h)

$\overline{\text{CP}}$	$\overline{\text{CP}}$	BORV1	BORV0	$\overline{\text{CP}}$	$\overline{\text{CP}}$	—	BODEN	MCLRE	$\overline{\text{PWRTÉ}}$	WDTE	F0SC2	F0SC1	F0SC0
bit13													bit0

bit 13-12, 9-8 **CP:** Program Memory Code Protection bits
 1 = Code Protection off
 0 = All program memory is protected⁽¹⁾

bit 11-10 **BORV<1:0>:** Brown-out Reset Voltage bits
 00 = PBOR set to 4.5V
 01 = PBOR set to 4.2V
 10 = PBOR set to 2.7V
 11 = PBOR set to 2.5V

bit 7 **Unimplemented:** Read as '1'

bit 6 **BODEN:** Brown-out Detect Reset Enable bit⁽¹⁾
 1 = Brown-out Detect Reset enabled
 0 = Brown-out Detect Reset disabled

bit 5 **MCLRE:** RA5/ $\overline{\text{MCLR}}$ Pin Function Select bit
 1 = RA5/ $\overline{\text{MCLR}}$ pin function is $\overline{\text{MCLR}}$
 0 = RA5/ $\overline{\text{MCLR}}$ pin function is digital input, $\overline{\text{MCLR}}$ internally tied to VDD

bit 4 **$\overline{\text{PWRTÉ}}$:** Power-up Timer Enable bit⁽¹⁾
 1 = PWRT disabled
 0 = PWRT enabled

bit 3 **WDTE:** Watchdog Timer Enable bit
 1 = WDT enabled
 0 = WDT disabled

bit 2-0 **FOSC<2:0>:** Oscillator Selection bits

FOSC<2:0>	OSCILLATOR	RA6/OSC2/CLKOUT/T1CKI	RA7/OSC1/CLKIN
000	LP	Crystal/Resonator	Crystal/Resonator
001	XT	Crystal/Resonator	Crystal/Resonator
010	HS	Crystal/Resonator	Crystal/Resonator
011	EC	Digital I/O	CLKIN
100	INTRC	Digital I/O	Digital I/O
101	INTRC	CLKOUT	Digital I/O
110	RC	Digital I/O	RC
111	RC	CLKOUT	RC

Note 1: All of the CP bits must be given the same value to enable code protection.

14.2 Oscillator Configurations

14.2.1 OSCILLATOR TYPES

The PIC16C781/782 can be operated in eight different oscillator modes. The user can program three configuration bits FOSC<2:0> to select one of these eight modes:

- LP Low Power Crystal
- XT Crystal/Resonator
- HS High Speed Crystal/Resonator
- RC External Resistor and Capacitor (with and without CLKOUT)
- INTRC Internal 4 MHz/37 kHz (with and without CLKOUT)
- EC External Clock

14.2.2 LP, XT AND HS MODES

In LP, XT, or HS modes, a crystal or ceramic resonator is connected to the RA7/OSC1/CLKIN and RA6/OSC2/CLKOUT/T1CKI pins to establish oscillation (Figure 14-1). The PIC16C781/782 oscillator design requires the use of a parallel cut crystal. Use of a series cut crystal may yield a frequency outside of the crystal manufacturers' specifications.

FIGURE 14-1: CRYSTAL/CERAMIC RESONATOR OPERATION (HS, XT OR LP OSC CONFIGURATION)

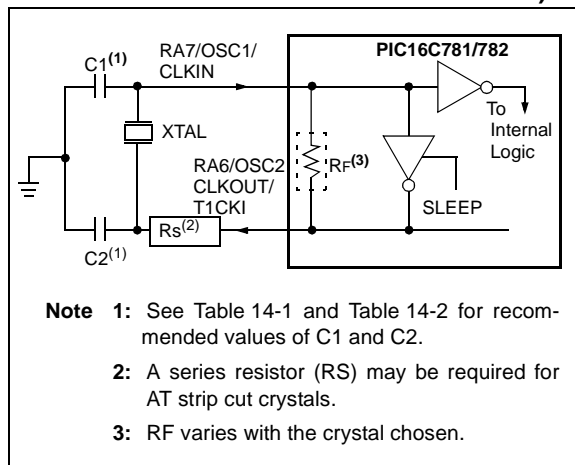


TABLE 14-1: CERAMIC RESONATORS

Ranges Tested:			
Mode	Freq	C1	C2
XT	455 kHz	68 - 100 pF	68 - 100 pF
	2.0 MHz	15 - 68 pF	15 - 68 pF
	4.0 MHz	15 - 68 pF	15 - 68 pF
HS	8.0 MHz	10 - 68 pF	10 - 68 pF
	16.0 MHz	10 - 22 pF	10 - 22 pF
These values are for design guidance only. See Notes 1 and 2 in shaded box.			
In this test, all resonators used did not have built-in capacitors.			

TABLE 14-2: CAPACITOR SELECTION FOR CRYSTAL OSCILLATOR

Osc Type	Crystal Freq	Cap. Range C1	Cap. Range C2
LP	32 kHz	33 pF	33 pF
	200 kHz	15 pF	15 pF
XT	200 kHz	47-68 pF	47-68 pF
	1 MHz	15 pF	15 pF
	4 MHz	15 pF	15 pF
HS	4 MHz	15 pF	15 pF
	8 MHz	15-33 pF	15-33 pF
	20 MHz	15-33 pF	15-33 pF
These values are for design guidance only. See Notes 1 and 2 in shaded box.			

Note 1: Since each resonator/crystal has its own characteristics, the user should consult the resonator/crystal manufacturer for appropriate values of external components.

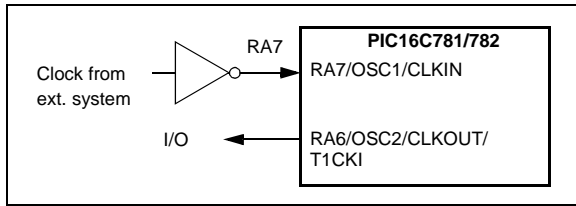
2: Higher capacitance increases the stability of oscillator but also increases the start-up time.

14.2.3 EC MODE

In applications where the clock source is external, the PIC16C781/782 should be programmed to select the EC (External Clock) mode. In this mode, the RA6/OSC2/CLKOUT/T1CKI pin is available as an I/O pin. See Figure 14-2 for illustration. To minimize power supply current drawn, the EC oscillator input should be driven by a CMOS level square wave.

PIC16C781/782

FIGURE 14-2: EC OSC CONFIGURATION



14.2.4 RC MODE

For timing insensitive applications, the RC device option offers additional cost savings. The RC oscillator frequency is a function of:

- supply voltage
- resistor (R_{EXT}) and capacitor (C_{EXT}) values
- operating temperature

In addition, the oscillator frequency varies from unit to unit due to normal process variation. The difference in lead frame capacitance between package types also affects the oscillation frequency, especially for low C_{EXT} values. The user should allow for variations due to tolerance of external R and C components used. Figure 14-3 shows how the RC combination is connected to the PIC16C781/782. For R_{EXT} values below 2.2 k Ω , the oscillator operation may become unstable or stop completely. For very high R_{EXT} values (e.g., 1 M Ω or greater), the oscillator becomes sensitive to:

- noise
- humidity
- leakage

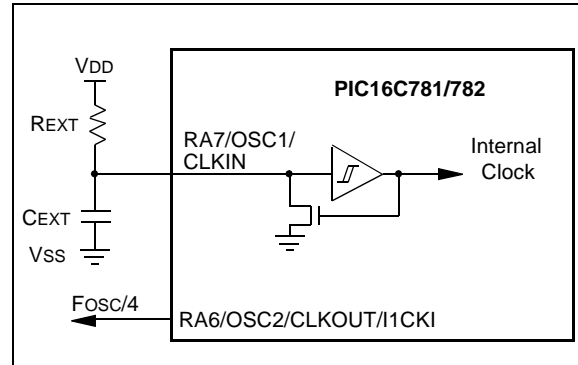
Microchip recommends keeping R_{EXT} between 3 k Ω and 100 k Ω .

Although the oscillator will operate with no external capacitor (C_{EXT} = 0 pF), we recommend using values above 20 pF for noise and stability reasons. With no or small external capacitance, the oscillation frequency can vary dramatically due to changes in external capacitances, such as board trace capacitance or package lead frame capacitance.

See Section 18.0 for RC frequency variation from part to part due to normal process variation. The variation is greater for large values of R (since leakage current variations affect RC frequency more for large R) and for small values of C (since variations of input capacitance affect RC frequency more).

See Section 18.0 for variation of oscillator frequency due to V_{DD} for given R_{EXT} and C_{EXT} values (or for frequency variation due to operating temperature for given R, C, and V_{DD} values).

FIGURE 14-3: RC OSCILLATOR MODE



14.2.5 INTRC MODE

The internal RC oscillator provides a fixed 4 MHz/37 kHz (nominal) system clock at V_{DD} = 5V and 25°C. See Section 18.0 for information on variations over voltage and temperature ranges. The INTRC oscillator does not run during RESET.

14.2.6 DUAL SPEED OPERATION FOR INTRC MODE

A software programmable slow speed mode is available with the INTRC oscillator. This feature allows the firmware to dynamically toggle the oscillator speed between normal and slow frequencies. The nominal slow frequency is 37 kHz. Applications that require low current power savings, but cannot tolerate putting the part into SLEEP, may use this mode.

The OSCF bit (PCON<3>) is used to control dual speed mode. See the PCON Register, Register 2-6, for details.

When changing the INTRC internal oscillator speed, there is a brief period of time when the processor is inactive. When the speed changes from fast to slow, the processor inactive period is in the range of 100 μ S to 300 μ S. For a speed change from slow to fast, the processor is inactive between 1.25 μ S and 3.25 μ S, nominal.

14.2.7 CLKOUT

In the INTRC and RC modes, the PIC16C781/782 can be configured to provide a clock out signal by programming the configuration word. The oscillator frequency, divided by 4, can be used for test purposes or to synchronize other logic.

In the INTRC and RC modes, if the CLKOUT output is enabled, CLKOUT is held low during RESET.

14.3 RESET

The PIC16C781/782 devices have several different RESETS. These RESETS are grouped into two classifications: power-up and non power-up. The power-up type RESETS are the Power-on and Brown-out Resets, which assume the device VDD was below its normal operating range for the device's configuration. The non power-up type RESETS assume normal operating limits were maintained before/during and after the RESET.

- Power-on Reset (POR)
- Programmable Brown-out Reset (PBOR)
- Non Power-up ($\overline{\text{MCLR}}$) Reset during normal operation
- $\overline{\text{MCLR}}$ Reset during SLEEP
- WDT Reset (during normal operation)

Some registers are not affected in any RESET condition. Their status is unknown on a Power-up Reset and unchanged in any other RESET. Most other registers are placed into an initialized state upon RESET. However, they are not affected by a WDT Reset during SLEEP, because this is considered a WDT Wake-up, which is viewed as the resumption of normal operation.

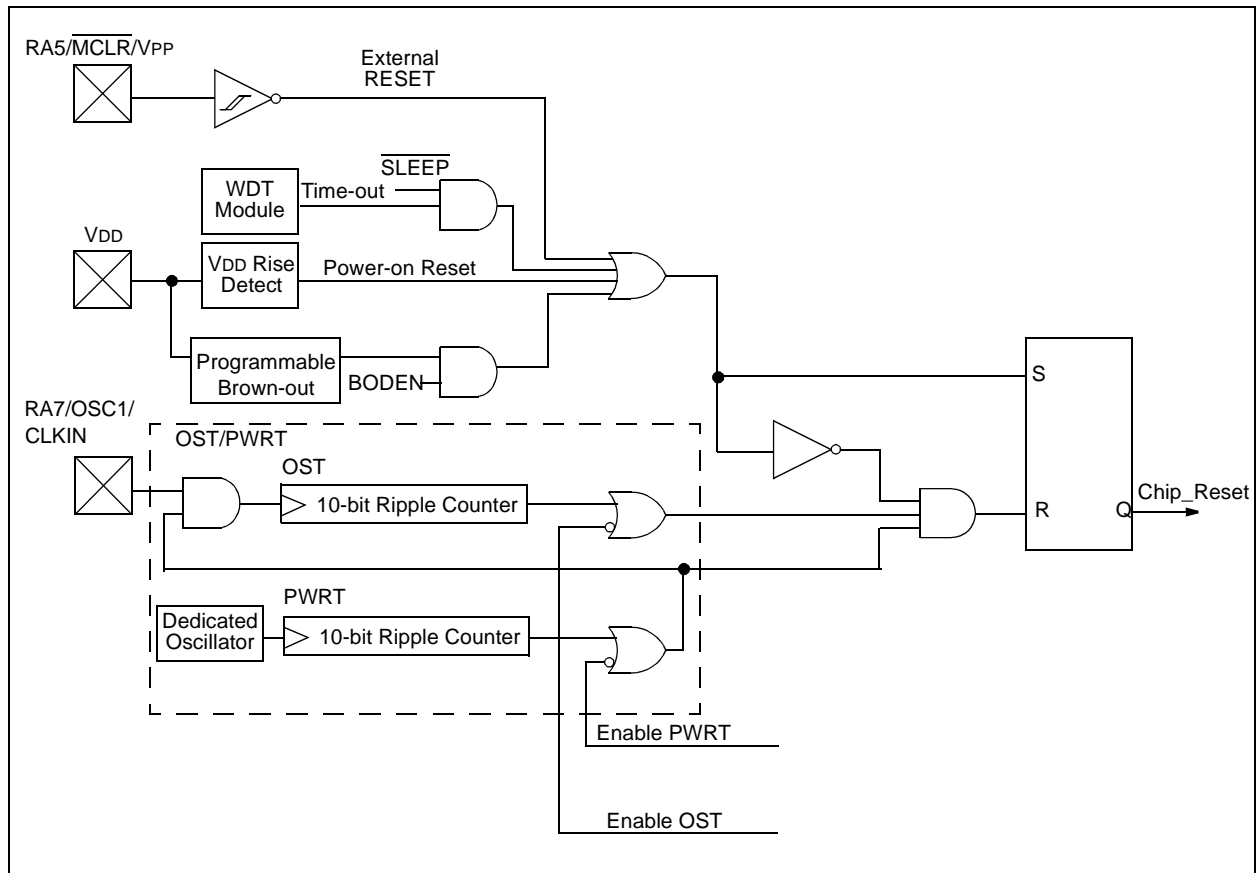
Several status bits have been provided to indicate which RESET occurred (see Table 14-4). See Table 14-5 for a full description of RESET states of special registers.

A simplified block diagram of the On-Chip Reset Circuit is shown in Figure 14-4.

These devices have a $\overline{\text{MCLR}}$ noise filter in the $\overline{\text{MCLR}}$ Reset path. The filter detects and ignores small pulses.

It should be noted that a WDT Reset does not drive $\overline{\text{MCLR}}$ pin low.

FIGURE 14-4: SIMPLIFIED BLOCK DIAGRAM OF ON-CHIP RESET CIRCUIT



PIC16C781/782

14.4 Power-on Reset (POR)

A Power-on Reset pulse is generated on-chip when a VDD rise is detected (in the range of 1.5V - 2.1V). To take advantage of the POR, simply enable the internal MCLR feature. This eliminates external RC components usually needed to create a Power-on Reset. A maximum rise time for VDD is specified. See Section 17.0 for details. For a slow rise time, see Figure 14-5.

Two delay timers (PWRT or OST) are provided, which hold the device in RESET after a POR (dependent upon device configuration), so that all operational parameters have been met prior to releasing the device to resume/begin normal operation.

When the device starts normal operation (exits the RESET condition), device operating parameters (i.e., voltage, frequency, temperature,...) must be met to ensure operation. If these conditions are not met, the device must be held in RESET until the operating conditions are met. Brown-out Reset may be used to meet the start-up conditions, or if necessary an external POR circuit may be implemented to delay end of RESET for as long as needed.

14.5 Power-up Timer (PWRT)

The Power-up Timer provides a fixed TPWRT time-out on power-up type RESETS only. For a POR, the PWRT is invoked when the POR pulse is generated. For a BOR, the PWRT is invoked when the device exits the RESET condition (VDD rises above BOR trip point). The Power-up Timer operates on an internal RC oscillator. The chip is kept in RESET as long as the PWRT is active. The PWRT's time delay is designed to allow VDD to rise to an acceptable level. A configuration bit (PWRT) is provided to enable/disable the PWRT for the POR only. For a BOR the PWRT is always available regardless of the configuration bit setting.

The power-up time delay varies from chip-to-chip due to VDD, temperature and process variation. See DC parameters for details.

14.6 Programmable Brown-out Reset (PBOR)

The Programmable Brown-out Reset module is used to generate a RESET when the supply voltage falls below a specified trip voltage. The trip voltage is configurable to any one of four voltages provided by the BORV<1:0> configuration word bits.

Configuration bit BODEN can disable (if clear/programmed), or enable (if set), the Brown-out Reset circuitry. If VDD falls below the specified trip point for longer than TBOR (see Parameter 35, Section 17.0, Table 17-6), the brown-out situation resets the chip. A RESET may not occur if VDD falls below the trip point for less than TBOR. The chip remains in Brown-out Reset until VDD rises above VBOR. The Power-up Timer is invoked at that point and keeps the chip in RESET an additional TPWRT. If VDD drops below VBOR while the Power-up Timer is running, the chip goes back into a Brown-out Reset and the Power-up Timer is re-initialized. Once VDD rises above VBOR, the Power-up Timer again begins a TPWRT time delay.

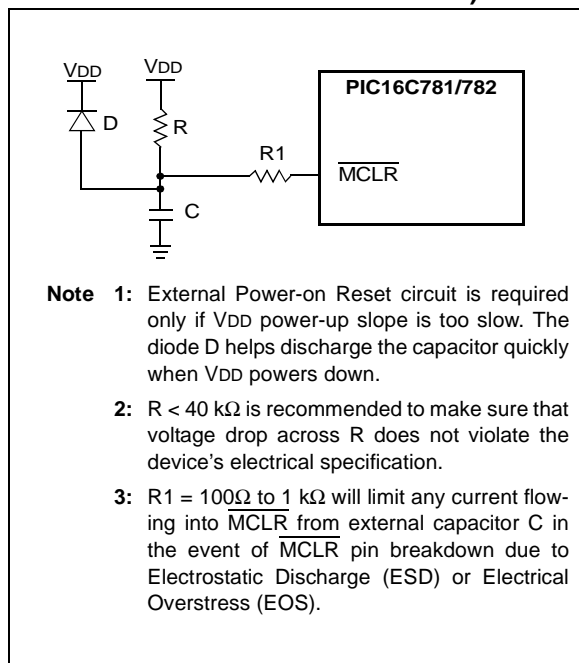
14.7 Time-out Sequence

On power-up, the time-out sequence is as follows: First, PWRT time-out is invoked by the POR pulse. When the PWRT delay expires, the Oscillator Start-up Timer is activated. The total time-out varies depending on oscillator configuration and the status of the PWRT. For example, in RC mode with the PWRT disabled, there is no time-out at all. Figure 14-6, and Figure 14-9 depict time-out sequences on power-up.

Since the time-outs occur from the POR pulse, if MCLR is kept low long enough, the time-outs expire. Then, bringing MCLR high begins execution immediately. This is useful for testing purposes or to synchronize more than one PICmicro microcontroller operating in parallel.

Table 14-5 shows the RESET conditions for some special function registers.

FIGURE 14-5: EXTERNAL POWER-ON RESET CIRCUIT (FOR SLOW VDD RAMP)



14.8 Power Control/Status Register (PCON)

The Power Control/Status Register, PCON, has two status bits that provide indication of which power-up type RESET occurred.

PCON<0> is Brown-out Reset Status bit, $\overline{\text{BOR}}$. Bit $\overline{\text{BOR}}$ is set on a Power-on Reset. It must then be set by the user and checked on subsequent RESETS to see if bit $\overline{\text{BOR}}$ cleared, indicating a BOR occurred. However, if the brown-out circuitry is disabled, the $\overline{\text{BOR}}$ bit is a "Don't Care" bit and is considered unknown upon a POR.

PCON<1> is $\overline{\text{POR}}$ (Power-on Reset Status bit). It is cleared on a Power-on Reset and unaffected otherwise. The user must set this bit following a Power-on Reset.

When the CPU is running under the INTRC oscillator mode, the frequency of the INTRC oscillator can be switched to a power saving 37 kHz (nominal) mode.

Clearing the OSCF (PCON<3>) enables oscillation at 37kHz, setting OSCF returns the oscillator to operation at 4MHz.

The Watchdog Timer is a free running, on-chip dedicated oscillator and timer, which does not require any external components to operate. The WDT provides a system RESET in the event that software does not execute a CLRWDT instruction within a specified interval. For reliability, the WDT will run even if the CPU clock has been stopped (for example, by the execution of a SLEEP instruction).

During normal operation, a WDT time-out generates a device RESET (Watchdog Timer Reset). If the device is in SLEEP mode, a WDT time-out causes the device to awaken and resume normal operation (Watchdog Timer Wake-up).

The WDT can be enabled either by setting the WDTE bit in the configuration register during programming, or by setting the WDTON bit (PCON<4>).

TABLE 14-3: TIME-OUT IN VARIOUS SITUATIONS

Oscillator Configuration	Power-up		Brown-out	Wake-up from SLEEP
	$\overline{\text{PWRTE}} = 0$	$\overline{\text{PWRTE}} = 1$		
XT, HS, LP	$\text{TPWRT} + 1024\text{TOSC}$	1024TOSC	$\text{TPWRT} + 1024\text{TOSC}$	1024TOSC
EC, RC, INTRC	TPWRT	—	TPWRT	—

PIC16C781/782

REGISTER 14-2: POWER CONTROL REGISTER (PCON: 8Eh)

U-0	U-0	U-0	R/W-q	R/W-1	U-0	R/W-q	R/W-x
—	—	—	WDTON	OSCF	—	POR	BOR
bit 7					bit 0		

bit 7-5 **Unimplemented:** Read as '0'

bit 4 **WDTON:** WDT Software Enable bit
If WDTE bit (Configuration Word <3>) = 1:
 This bit is not writable, always reads '1'
If WDTE bit (Configuration Word <3>) = 0:
 1 = WDT is enabled
 0 = WDT is disabled and cleared

bit 3 **OSCF:** Oscillator Speed bit (pending on new internal oscillator decision)
INTRC mode:
 1 = 4 MHz typical
 0 = 37 kHz typical
All other oscillator modes:
 Ignored

bit 2 **Unimplemented:** Read as '0'

bit 1 **POR:** Power-on Reset Status bit
 1 = No Power-on Reset occurred
 0 = A Power-on Reset occurred (must be set in software after a Power-on Reset occurs)

bit 0 **BOR:** Brown-out Reset Status bit
 1 = No Brown-out Reset occurred
 0 = A Brown-out Reset occurred (must be set in software after a Brown-out Reset occurs)

Legend:		
R = Readable bit	W = Writable bit	U = Unimplemented bit, read as '0'
- n = Value at POR	'1' = Bit is set	'0' = Bit is cleared
x = Bit is unknown	'q' = Value depends on condition	

TABLE 14-4: STATUS BITS AND THEIR SIGNIFICANCE

POR	BOR	TO	PD	Bit Significance
0	1	1	1	Power-on Reset
0	x	0	x	Illegal, TO is set on POR
0	x	x	0	Illegal, PD is set on POR
1	0	1	1	Brown-out Reset
1	1	0	1	WDT Reset
1	1	0	0	WDT Wake-up
1	1	u	u	MCLR Reset during normal operation
1	1	1	0	MCLR Reset during SLEEP or interrupt wake-up from SLEEP

TABLE 14-5: RESET CONDITION FOR SPECIAL REGISTERS

Condition	Program Counter	STATUS Register	PCON Register
Power-on Reset	000h	0001 1xxx	---0 1-01
$\overline{\text{MCLR}}$ Reset during normal operation	000h	000u uuuu	---0 1-uu
$\overline{\text{MCLR}}$ Reset during SLEEP	000h	0001 0uuu	---0 1-uu
WDT Reset	000h	0000 1uuu	---0 1-uu
WDT Wake-up	PC + 1	uuu0 0uuu	---0 u-uu
Brown-out Reset	000h	0001 1uuu	---0 1-u0
Interrupt wake-up from SLEEP, GIE = 0	PC + 1	uuu1 0uuu	---u u-uu
Interrupt wake-up from SLEEP, GIE = 1	0004h	uuu1 0uuu	---u u-uu

Legend: u = unchanged, x = unknown, - = unimplemented bit, read as '0'.

FIGURE 14-6: TIME-OUT SEQUENCE ON POWER-UP ($\overline{\text{MCLR}}$ TIED TO V_{DD})

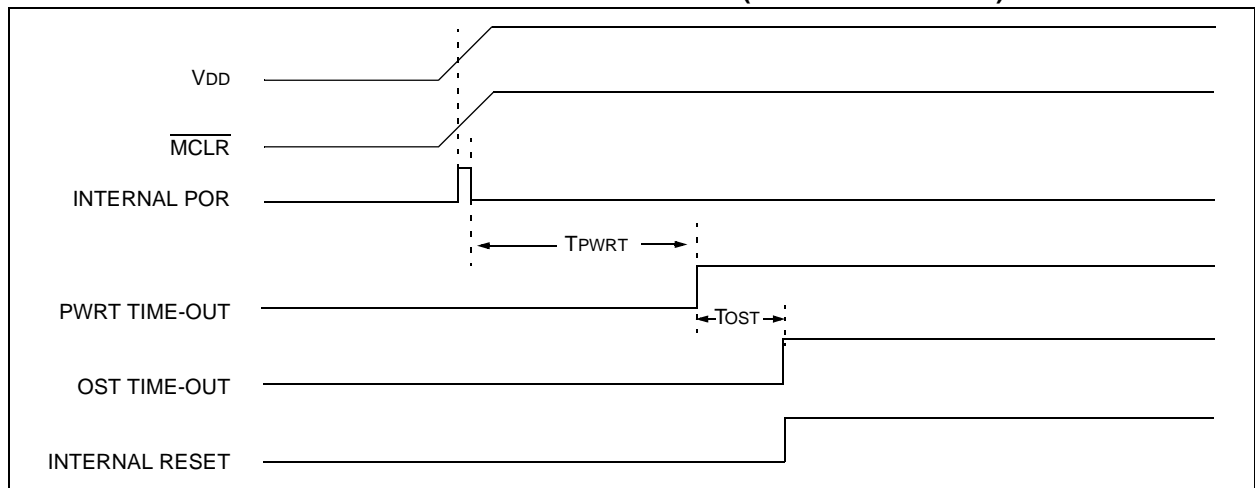
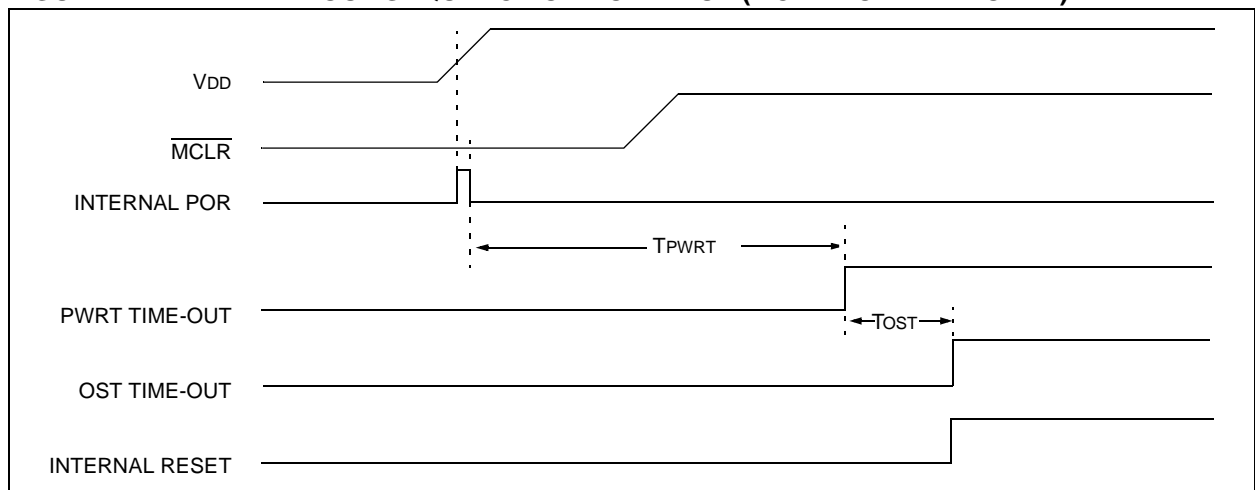


FIGURE 14-7: TIME-OUT SEQUENCE ON POWER-UP ($\overline{\text{MCLR}}$ NOT TIED TO V_{DD})



PIC16C781/782

TABLE 14-6: INITIALIZATION CONDITION FOR ALL REGISTERS

Register	Power-On Reset or Brown-Out Reset	MCLR Reset or WDT Reset	Wake-up via WDT or Interrupt
W (not a mapped register)	xxxx xxxx	uuuu uuuu	uuuu uuuu
INDF	0000 0000	uuuu uuuu	uuuu uuuu
TMR0	xxxx xxxx	uuuu uuuu	uuuu uuuu
PCL	0000 0000	0000 0000	PC + 1 ⁽¹⁾
STATUS	0001 1xxx	000q quuu ⁽²⁾	uuuq quuu ⁽²⁾
FSR	xxxx xxxx	uuuu uuuu	uuuu uuuu
PORTA	xxxx 0000	uuuu 0000	uuuu uuuu
PORTB	xxxx xx00	uuuu uu00	uuuu uu00
PCLATH	---0 0000	---0 0000	---u uuuu
INTCON	0000 000x	0000 000u	uuuu uuqq
PIR1	0000 ---0	0000 ---0	0000 ---u
CALCON	000- ----	000- ----	uuu- ----
TMR1L	xxxx xxxx	uuuu uuuu	uuuu uuuu
TMR1H	xxxx xxxx	uuuu uuuu	uuuu uuuu
T1CON	-000 0000	-uuu uuuu	-uuu uuuu
PSMCCON0	0000 0000	0000 0000	uuuu uuuu
PSMCCON1	000- 0000	000- 0000	uuu- uuuu
CM1CON0	0000 0000	0000 0000	uuuu uuuu
CM2CON0	0000 0000	0000 0000	uuuu uuuu
CM2CON1	00-- ---0	00-- ---0	uu-- ---u
OPACON	00-- ---0	00-- ---0	uu-- ---u
ADRES	xxxx xxxx	uuuu uuuu	uuuu uuuu
ADCON0	0000 0000	0000 0000	uuuu uuuu
OPTION_REG	1111 1111	1111 1111	uuuu uuuu
TRISA	1111 1111	1111 1111	uuuu uuuu
TRISB	1111 1111	1111 1111	uuuu uuuu
PIE1	0000 ---0	0000 ---0	uuuu ---u
PCON	---0 1-qq	---0 1-uu	---u u-uu
DAC	0000 0000	0000 0000	uuuu uuuu
DACON0	00-- --00	00-- --00	uu-- --uu
WPUB	1111 1111	1111 1111	uuuu uuuu
IOCB	1111 0000	1111 0000	uuuu uuuu
REFCON	---- 00--	---- 00--	---- uu--
LVDCON	--00 0101	--00 0101	--uu uuuu
ANSEL	1111 1111	1111 1111	uuuu uuuu
ADCON1	--00 ----	--00 ----	--uu ----
PMDATL	xxxx xxxx	uuuu uuuu	uuuu uuuu
PMADRL	xxxx xxxx	uuuu uuuu	uuuu uuuu
PMDATH	--xx xxxx	--uu uuuu	--uu uuuu
PMADRH	---- xxxx	---- uuuu	---- uuuu
PMCON1	1--- ---0	1--- ---0	1--- ---0

Legend: u = unchanged, x = unknown, - = unimplemented bit, read as '0', q = value depends on condition

Note 1: When the wake-up is due to an interrupt and the GIE bit is set, the PC is loaded with the interrupt vector (0004h).

2: See Table 14-5 for RESET value for specific condition.

FIGURE 14-8: TIME-OUT SEQUENCE ON POWER-UP ($\overline{\text{MCLR}}$ NOT TIED TO V_{DD})

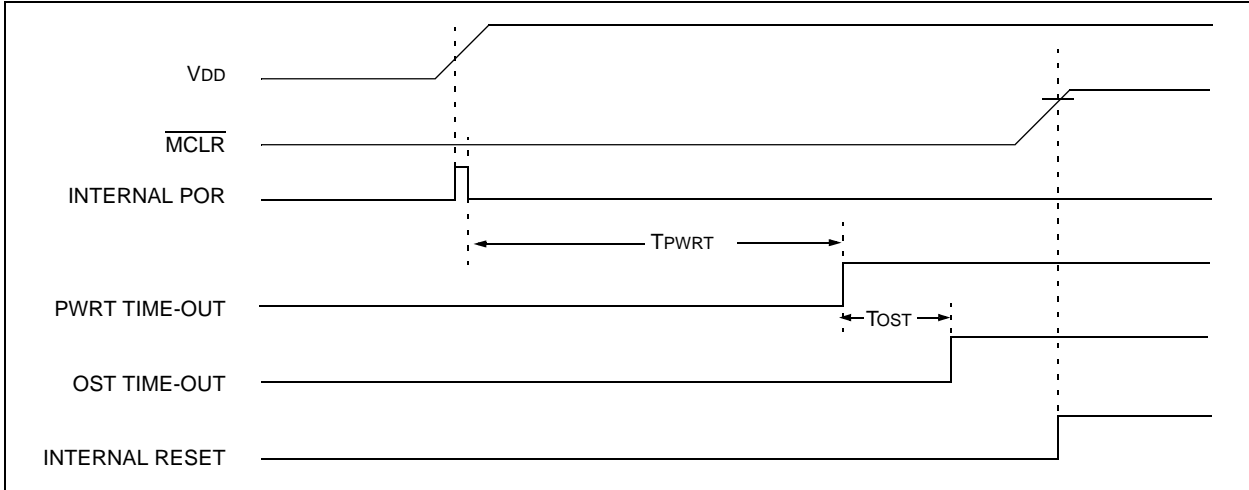
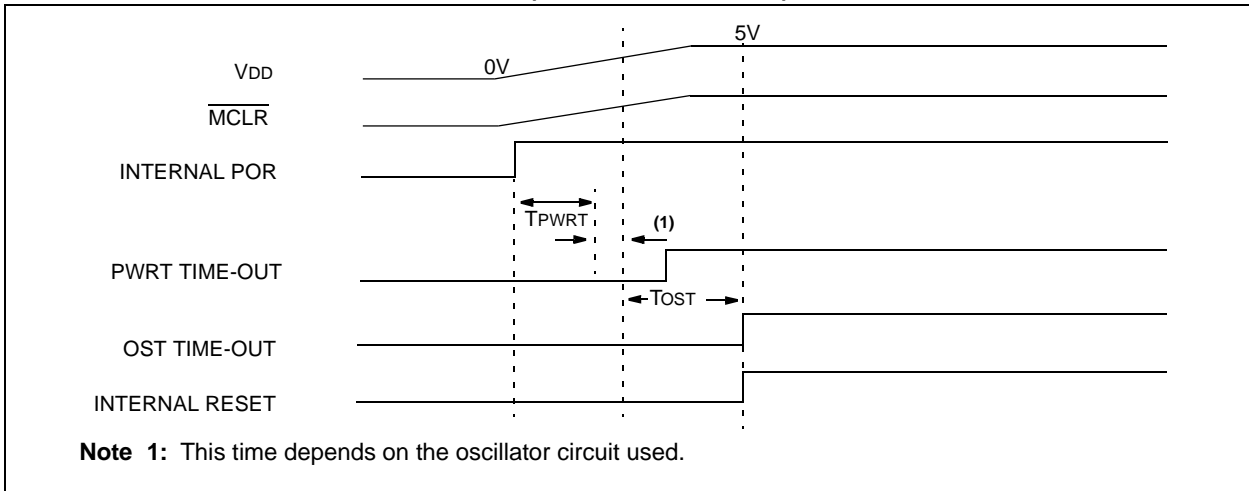


FIGURE 14-9: SLOW V_{DD} RISE TIME ($\overline{\text{MCLR}}$ TIED TO V_{DD})



Note 1: This time depends on the oscillator circuit used.

PIC16C781/782

14.9 Interrupts

The devices have up to eight sources of interrupt. The interrupt control register (INTCON) records individual interrupt requests in flag bits. It also has individual and global interrupt enable bits.

Note: Individual interrupt flag bits are set, regardless of the status of their corresponding mask bit or the GIE bit.

A global interrupt enable bit, GIE (INTCON<7>), enables (if set) all unmasked interrupts or disables (if cleared) all interrupts. When bit GIE is enabled and an interrupt's flag bit and mask bit are set, the interrupt will vector immediately. Individual interrupts can be disabled through their corresponding enable bits in various registers. Individual interrupt bits are set, regardless of the status of the GIE bit. The GIE bit is cleared on RESET.

The "return from interrupt" instruction, RETFIE, exits the interrupt routine as well as sets the GIE bit, which re-enables interrupts.

The RB0/INT/AN4/VR pin interrupt, the RB port Interrupt-on-Change (IOCB) and the TMR0 overflow interrupt flags are contained in the INTCON register.

The peripheral interrupt flags are contained in the special function register PIR1. The corresponding interrupt enable bits are contained in special function register PIE1, and the peripheral interrupt enable bit is contained in special function register INTCON.

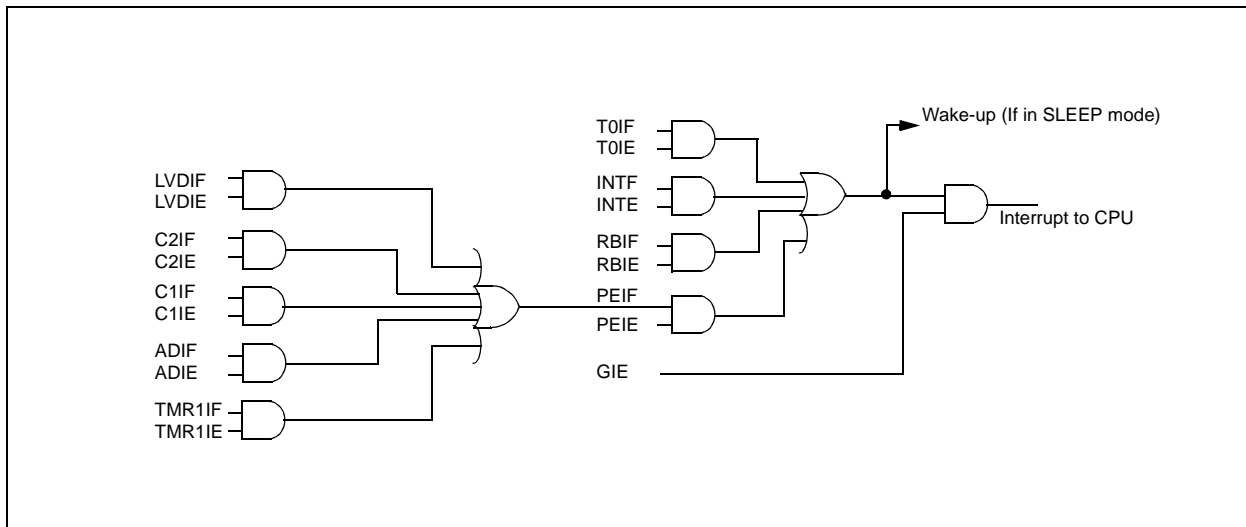
When an interrupt is serviced, the GIE bit is cleared to disable any further interrupt. The return address is pushed onto the stack and the PC is loaded with 0004h. Once in the Interrupt Service Routine the source(s) of the interrupt can be determined by polling the interrupt flag bits. The interrupt flag bit(s) must be cleared in software before re-enabling interrupts to avoid recursive interrupts.

For external interrupt events, such as the INT pin or PORTB change interrupt, the interrupt latency is three or four instruction cycles. The exact latency depends on when the interrupt event occurs. The latency is the same for one or two-cycle instructions. Individual interrupt flag bits are set, regardless of the status of their corresponding mask bit or the GIE bit.

14.9.1 INT INTERRUPT

External interrupt on RB0/INT/AN4/VR pin is edge triggered: either rising, if bit INTEDG (OPTION_REG<6>) is set, or falling, if the INTEDG bit is clear. When a valid edge appears on the RB0/INT pin, flag bit INTF (INTCON<1>) is set. This interrupt can be disabled by clearing enable bit INTE (INTCON<4>). Flag bit INTF must be cleared in software in the Interrupt Service Routine before re-enabling this interrupt. The INT interrupt can awaken the processor from SLEEP, if bit INTE was set prior to going into SLEEP. The status of global interrupt enable bit GIE decides whether or not the processor branches to the interrupt vector following a wake-up sequence. See Section 14.12 for details on SLEEP mode.

FIGURE 14-10: INTERRUPT LOGIC



14.9.2 TMR0 INTERRUPT

An overflow (FFh → 00h) in the TMR0 register sets the flag bit, T0IF (INTCON<2>). The interrupt can be enabled/disabled by setting/clearing enable bit, T0IE (INTCON<5>) (Section 2.5).

14.9.3 PORTB INTERRUPT-ON-CHANGE (IOCB)

An input change on PORTB<7:0> sets flag bit RBIF (INTCON<0>). The PORTB pin(s) which can individually generate interrupt are selectable in the IOCB register. The interrupt can be enabled/disabled by setting/clearing enable bit RBIE (INTCON<4>) (Section 2.5). PORTB must be configured as a digital input.

14.10 Context Saving During Interrupts

During an interrupt, only the PC is saved on the stack. At minimum, W and STATUS should be saved to preserve the context for the interrupted program. All registers that may be corrupted by the Interrupt Service Routine (ISR), such as PCLATH or FSR, should be saved.

Example 14-1 stores and restores the STATUS, W and PCLATH registers. The register, W_TEMP, is defined in Common RAM, the last 16 bytes of each bank that may be accessed from any bank. The STATUS_TEMP and PCLATH_TEMP are defined in bank 0.

The example:

- a) Stores the W register.
- b) Stores the STATUS register in bank 0.
- c) Stores the PCLATH register in bank 0.
- d) Executes the ISR code.
- e) Restores the PCLATH register.
- f) Restores the STATUS register.
- g) Restores W.

Note: The W_TEMP, STATUS_TEMP and PCLATH_TEMP are defined in the common RAM area (70h - 7Fh) to avoid register bank switching during context save and restore.

EXAMPLE 14-1: SAVING STATUS, W, AND PCLATH REGISTERS

```
#define W_TEMP      0x70
#define STATUS_TEMP 0x71
#define PCLATH_TEMP 0x72

org 0x04           ; Int Vector
MOVWF W_TEMP      ; Save W
MOVF STATUS,w
MOVWF STATUS_TEMP ; save STATUS
MOVF PCLATH,w
MOVWF PCLATH_TEMP ; save PCLATH
:
(Interrupt Service Routine)
:
MOVF PCLATH_TEMP,w
MOVWF PCLATH
MOVF STATUS_TEMP,w
MOVWF STATUS
SWAPF W_TEMP,f    ; swapf loads W
SWAPF W_TEMP,w    ; w/o affect STATUS
RETDFIE
```

14.11 Watchdog Timer (WDT)

The Watchdog Timer uses a free running, on-chip RC oscillator, which does not require any external components. This oscillator is independent from the processor clock. The WDT runs even if the main clock of the device has been stopped (for example, by execution of a SLEEP instruction).

During normal operation, a WDT time-out generates a device RESET (Watchdog Timer Reset). If the device is in SLEEP mode, a WDT time-out causes the device to wake-up and continue with normal operation (Watchdog Timer Wake-up). The TO bit in the STATUS register is cleared upon a Watchdog Timer time-out.

The WDT can be permanently enabled by programming the configuration bit WDTE, or by software via the WDTON bit in the Power Control register (PCON: 8EH). See Section 14.8 and Section 14.1.

WDT time-out period values may be found in the Electrical Specifications. Values for the WDT prescaler may be assigned using the OPTION_REG register.

Note 1: The CLRWDT and SLEEP instructions clear the WDT and the postscaler, if assigned to the WDT.

2: When a CLRWDT instruction is executed and the prescaler is assigned to the WDT, the prescaler count is cleared, but the prescaler assignment is not changed.

PIC16C781/782

FIGURE 14-11: WATCHDOG TIMER BLOCK DIAGRAM

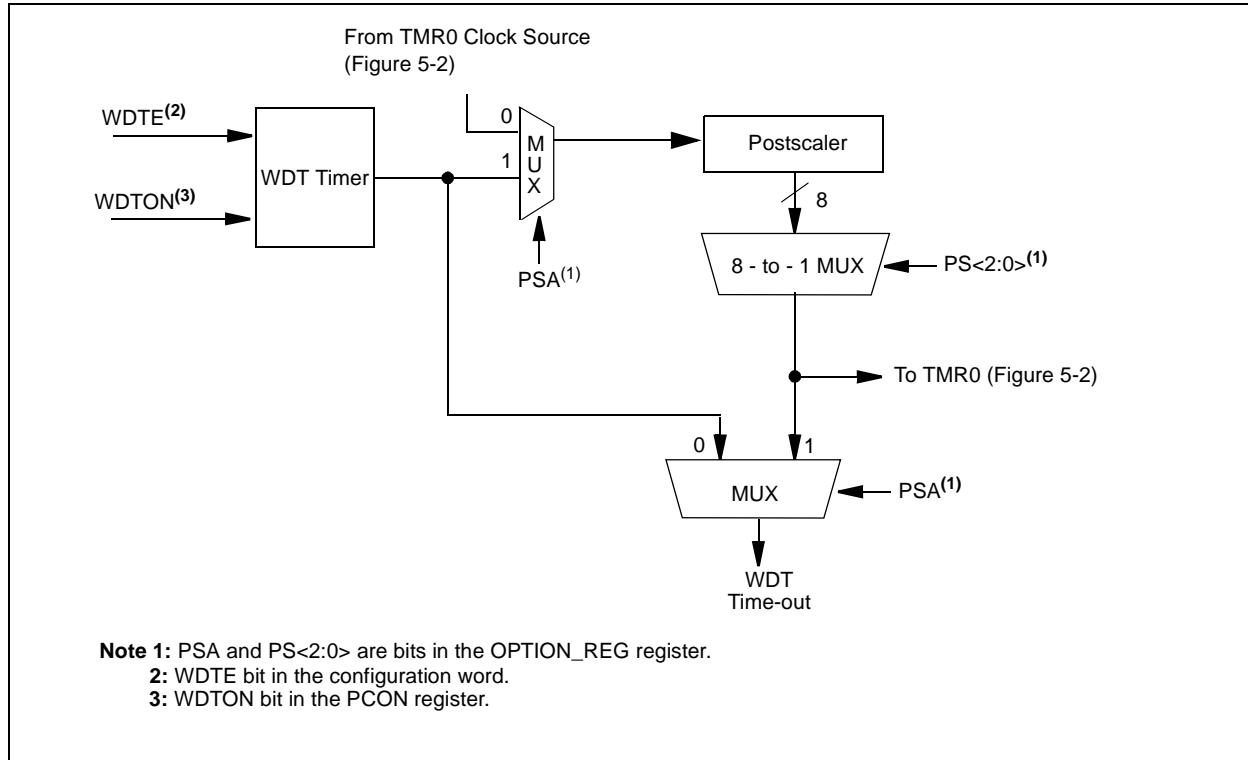


TABLE 14-7: SUMMARY OF WATCHDOG TIMER REGISTERS

Address	Name	Bit 7	Bit 6	Bit 5	Bit 4	Bit 3	Bit 2	Bit 1	Bit 0
2007h	Config. Bits ⁽¹⁾	—	BODEN	MCLRE	PWRTE	WDTE	FOSC2	FOSC1	FOSC0
81h,181h	OPTION_REG	RBPU	INTEDG	T0CS	T0SE	PSA	PS2	PS1	PS0
8Eh	PCON	—	—	—	WDTON	OCSF	—	BOR	POR

Legend: Shaded cells are not used by the Watchdog Timer.

Note 1: See Register 14-1 for the full description of the Configuration Word bits.

14.12 Power-down Mode (SLEEP)

Power-down mode is entered by executing a `SLEEP` instruction.

If enabled, the Watchdog Timer is cleared but keeps running, the \overline{PD} bit (`STATUS<3>`) is cleared, the \overline{TO} (`STATUS<4>`) bit is set, and the oscillator driver is turned off. The I/O ports maintain the status they had, before the `SLEEP` instruction was executed (driving high, low, or hi-impedance).

For lowest current consumption in this mode:

- place all I/O pins at either V_{DD} , or V_{SS} ,
- ensure no external circuitry is drawing current from the I/O pin,
- power-down all peripherals,
- disable external clocks.

Pull all I/O pins that are hi-impedance inputs, high or low externally to avoid switching currents caused by floating inputs. The `TOCKI` input should also be at V_{DD} or V_{SS} for lowest current consumption. The contribution from on-chip pull-ups on `PORTB` should be considered.

14.12.1 WAKE-UP FROM SLEEP

The device can wake-up from `SLEEP` through one of the following events:

1. External `RESET` input on \overline{MCLR} pin.
2. Watchdog Timer Wake-up (if `WDT` was enabled).
3. Interrupt from `INT` pin, `PORTB IOCB`, or any Peripheral Interrupts.

External \overline{MCLR} Reset causes a device `RESET`. All other events are considered a continuation of program execution and cause a "wake-up". The \overline{TO} and \overline{PD} bits in the `STATUS` register can be used to determine the cause of device `RESET`. The \overline{PD} bit, which is set on power-up, is cleared when `SLEEP` is invoked. The \overline{TO} bit is cleared if a `WDT` time-out occurred (and caused wake-up).

The following peripheral interrupts can wake the device from `SLEEP`:

1. `TMR1` interrupt. `Timer1` must be operating as an asynchronous counter.
2. `ADC` conversion (when `ADC` clock source is `RC`).
3. Programmable low voltage detect.
4. Comparator `C1` or `C2` interrupt-on-change.
5. `OPA` in Comparator mode using `IOCB`.

Other peripherals cannot generate interrupts since during `SLEEP`, no on-chip clocks are present.

When the `SLEEP` instruction is being executed, the next instruction (`PC + 1`) is pre-fetched. For the device to wake-up through an interrupt event, the corresponding interrupt enable bit must be set (enabled). Wake-up is regardless of the state of the `GIE` bit. If the `GIE` bit is clear (disabled), the device continues execution at the instruction after the `SLEEP` instruction. If the `GIE` bit is set (enabled), the device executes the instruction after the `SLEEP` instruction, then branches to the interrupt address (`0004h`). In cases where the execution of the instruction following `SLEEP` is not desirable, the user should have a `NOP` after the `SLEEP` instruction.

14.12.2 WAKE-UP USING INTERRUPTS

When global interrupts are disabled (`GIE` cleared) and any interrupt source has both its interrupt enable bit and interrupt flag bit set, one of the following will occur:

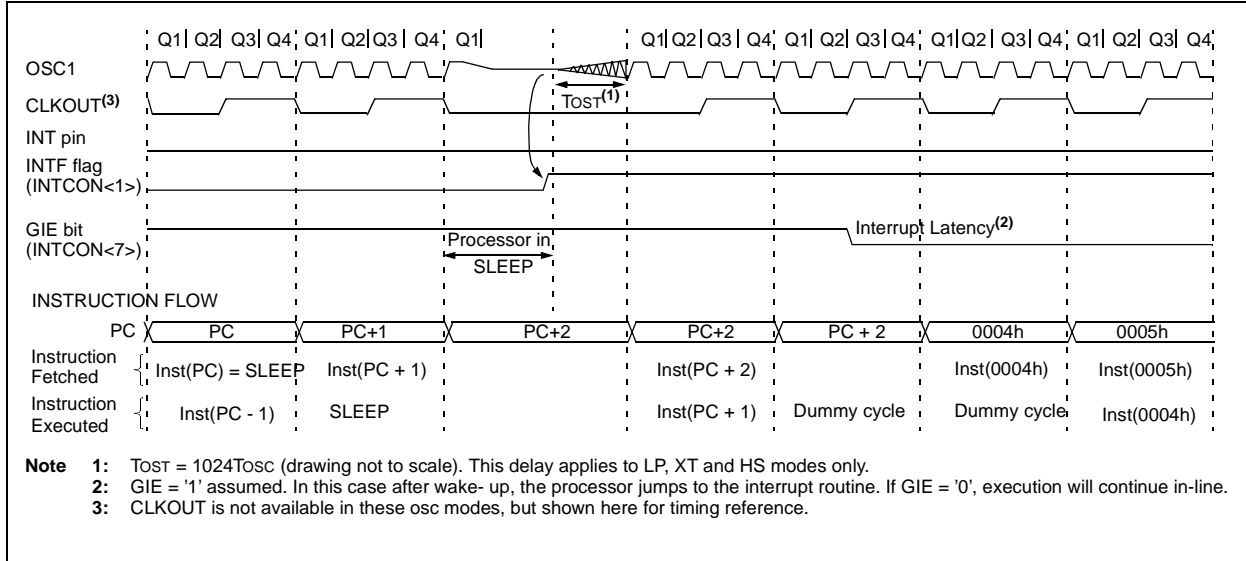
- If the interrupt occurs **before** the execution of a `SLEEP` instruction, the `SLEEP` instruction completes as a `NOP`. Therefore, the `WDT` and `WDT` postscaler are not cleared, the \overline{TO} bit is not set, and \overline{PD} bits are not cleared.
- If the interrupt occurs **during or after** the execution of a `SLEEP` instruction, the device immediately awakens from `SLEEP`. The `SLEEP` instruction will be completely executed before the wake-up. Therefore, the `WDT` and `WDT` postscaler are cleared, the \overline{TO} bit is set, and the \overline{PD} bit is cleared.

Even if the flag bits were checked before executing a `SLEEP` instruction, it may be possible for flag bits to become set before the `SLEEP` instruction completes. To determine whether a `SLEEP` instruction executed, test the \overline{PD} bit. If the \overline{PD} bit is set, the `SLEEP` instruction was executed as a `NOP`.

To ensure that the `WDT` is cleared, a `CLRWDT` instruction should be executed before a `SLEEP` instruction.

PIC16C781/782

FIGURE 14-12: WAKE-UP FROM SLEEP THROUGH INTERRUPT



15.0 INSTRUCTION SET SUMMARY

Each PIC16CXXX instruction is a 14-bit word divided into an OPCODE which specifies the instruction type and one or more operands which further specify the operation of the instruction. The PIC16CXXX instruction set summary in Table 15-2 lists **byte-oriented**, **bit-oriented**, and **literal and control** operations. Table 15-1 shows the opcode field descriptions.

For **byte-oriented** instructions, 'f' represents a file register designator and 'd' represents a destination designator. The file register designator specifies which file register is to be used by the instruction.

The destination designator specifies where the result of the operation is to be placed. If 'd' is zero, the result is placed in the W register. If 'd' is one, the result is placed in the file register specified in the instruction.

For **bit-oriented** instructions, 'b' represents a bit field designator which selects the number of the bit affected by the operation, while 'f' represents the number of the file in which the bit is located.

For **literal and control** operations, 'k' represents an eight or eleven bit constant or literal value.

TABLE 15-1: OPCODE FIELD DESCRIPTIONS

Field	Description
f	Register file address (0x00 to 0x7F)
W	Working register (accumulator)
b	Bit address within an 8-bit file register
k	Literal field, constant data or label
x	Don't care location (= 0 or 1) The assembler will generate code with x = 0. It is the recommended form of use for compatibility with all Microchip software tools.
d	Destination select; d = 0: store result in W, d = 1: store result in file register f. Default is d = 1
PC	Program Counter
TO	Time-out bit
PD	Power-down bit

The instruction set is highly orthogonal and is grouped into three basic categories:

- **Byte-oriented** operations
- **Bit-oriented** operations
- **Literal and control** operations

All instructions are executed within one single instruction cycle, unless a conditional test is true or the program counter is changed as a result of an instruction. In this case, the execution takes two instruction cycles with the second cycle executed as a NOP. One instruction cycle consists of four oscillator periods. Thus, for an oscillator frequency of 4 MHz, the normal instruction execution time is 1 μ s. If a conditional test is true or the program counter is changed as a result of an instruction, the instruction execution time is 2 μ s.

Table 15-2 lists the instructions recognized by the MPASM™ assembler.

Figure 15-1 shows the general formats that the instructions can have.

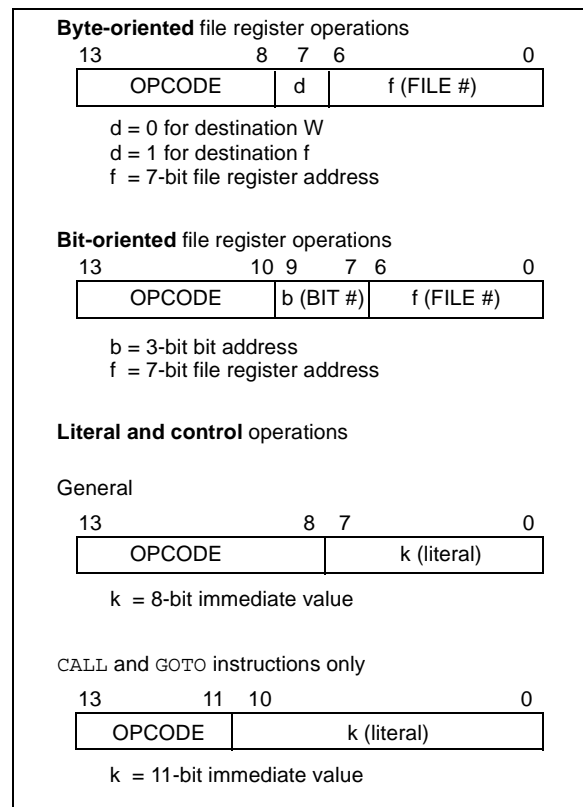
Note: To maintain upward compatibility with future PIC16CXXX products, do not use the OPTION and TRIS instructions.

All examples use the following format to represent a hexadecimal number:

0xhh

where h signifies a hexadecimal digit.

FIGURE 15-1: GENERAL FORMAT FOR INSTRUCTIONS



A description of each instruction is available in the PICmicro™ Mid-Range Reference Manual, (DS33023).

PIC16C781/782

TABLE 15-2: PIC16CXXX INSTRUCTION SET

Mnemonic, Operands	Description	Cycles	14-Bit Opcode				Status Affected	Notes	
			MSb		LSb				
BYTE-ORIENTED FILE REGISTER OPERATIONS									
ADDWF	f, d	Add W and f	1	00	0111	dfff	ffff	C,DC,Z	1,2
ANDWF	f, d	AND W with f	1	00	0101	dfff	ffff	Z	1,2
CLRF	f	Clear f	1	00	0001	1fff	ffff	Z	2
CLRWF	-	Clear W	1	00	0001	0000	0011	Z	
COMF	f, d	Complement f	1	00	1001	dfff	ffff	Z	1,2
DECF	f, d	Decrement f	1	00	0011	dfff	ffff	Z	1,2
DECFSZ	f, d	Decrement f, Skip if 0	1(2)	00	1011	dfff	ffff		1,2,3
INCF	f, d	Increment f	1	00	1010	dfff	ffff	Z	1,2
INCFSZ	f, d	Increment f, Skip if 0	1(2)	00	1111	dfff	ffff		1,2,3
IORWF	f, d	Inclusive OR W with f	1	00	0100	dfff	ffff	Z	1,2
MOVF	f, d	Move f	1	00	1000	dfff	ffff	Z	1,2
MOVWF	f	Move W to f	1	00	0000	1fff	ffff		
NOP	-	No Operation	1	00	0000	0xx0	0000		
RLF	f, d	Rotate Left f through Carry	1	00	1101	dfff	ffff	C	1,2
RRF	f, d	Rotate Right f through Carry	1	00	1100	dfff	ffff	C	1,2
SUBWF	f, d	Subtract W from f	1	00	0010	dfff	ffff	C,DC,Z	1,2
SWAPF	f, d	Swap nibbles in f	1	00	1110	dfff	ffff		1,2
XORWF	f, d	Exclusive OR W with f	1	00	0110	dfff	ffff	Z	1,2
BIT-ORIENTED FILE REGISTER OPERATIONS									
BCF	f, b	Bit Clear f	1	01	00bb	bfff	ffff		1,2
BSF	f, b	Bit Set f	1	01	01bb	bfff	ffff		1,2
BTFSC	f, b	Bit Test f, Skip if Clear	1 (2)	01	10bb	bfff	ffff		3
BTFSS	f, b	Bit Test f, Skip if Set	1 (2)	01	11bb	bfff	ffff		3
LITERAL AND CONTROL OPERATIONS									
ADDLW	k	Add literal and W	1	11	111x	kkkk	kkkk	C,DC,Z	
ANDLW	k	AND literal with W	1	11	1001	kkkk	kkkk	Z	
CALL	k	Call subroutine	2	10	0kkk	kkkk	kkkk		
CLRWDT	-	Clear Watchdog Timer	1	00	0000	0110	0100	$\overline{TO}, \overline{PD}$	
GOTO	k	Go to address	2	10	1kkk	kkkk	kkkk		
IORLW	k	Inclusive OR literal with W	1	11	1000	kkkk	kkkk	Z	
MOVLW	k	Move literal to W	1	11	00xx	kkkk	kkkk		
RETFIE	-	Return from interrupt	2	00	0000	0000	1001		
RETLW	k	Return with literal in W	2	11	01xx	kkkk	kkkk		
RETURN	-	Return from Subroutine	2	00	0000	0000	1000		
SLEEP	-	Go into standby mode	1	00	0000	0110	0011	$\overline{TO}, \overline{PD}$	
SUBLW	k	Subtract W from literal	1	11	110x	kkkk	kkkk	C,DC,Z	
XORLW	k	Exclusive OR literal with W	1	11	1010	kkkk	kkkk	Z	

- Note 1:** When an I/O register is modified as a function of itself (e.g., MOVF PORTB, 1), the value used will be that value present on the pins themselves. For example, if the data latch is '1' for a pin configured as input and is driven low by an external device, the data will be written back with a '0'.
- 2:** If this instruction is executed on the TMR0 register (and, where applicable, d = 1), the prescaler will be cleared if assigned to the Timer0 Module.
- 3:** If the Program Counter (PC) is modified or a conditional test is true, the instruction requires two cycles. The second cycle is executed as a NOP.

15.1 Instruction Descriptions

ADDLW **Add Literal and W**

Syntax: *[label]* ADDLW *k*
 Operands: $0 \leq k \leq 255$
 Operation: $(W) + k \rightarrow (W)$
 Status Affected: C, DC, Z
 Description: The contents of the W register are added to the eight bit literal 'k' and the result is placed in the W register.

ANDWF **AND W with f**

Syntax: *[label]* ANDWF *f,d*
 Operands: $0 \leq f \leq 127$
 $d \in [0,1]$
 Operation: $(W) \text{ .AND. } (f) \rightarrow (\text{destination})$
 Status Affected: Z
 Description: AND the W register with register 'f'. If 'd' is 0, the result is stored in the W register. If 'd' is 1, the result is stored back in register 'f'.

ADDWF **Add W and f**

Syntax: *[label]* ADDWF *f,d*
 Operands: $0 \leq f \leq 127$
 $d \in [0,1]$
 Operation: $(W) + (f) \rightarrow (\text{destination})$
 Status Affected: C, DC, Z
 Description: Add the contents of the W register with register 'f'. If 'd' is 0, the result is stored in the W register. If 'd' is 1, the result is stored back in register 'f'.

BCF **Bit Clear f**

Syntax: *[label]* BCF *f,b*
 Operands: $0 \leq f \leq 127$
 $0 \leq b \leq 7$
 Operation: $0 \rightarrow (f)$
 Status Affected: None
 Description: Bit 'b' in register 'f' is cleared.

ANDLW **AND Literal with W**

Syntax: *[label]* ANDLW *k*
 Operands: $0 \leq k \leq 255$
 Operation: $(W) \text{ .AND. } (k) \rightarrow (W)$
 Status Affected: Z
 Description: The contents of W register are AND'ed with the eight bit literal 'k'. The result is placed in the W register.

BSF **Bit Set f**

Syntax: *[label]* BSF *f,b*
 Operands: $0 \leq f \leq 127$
 $0 \leq b \leq 7$
 Operation: $1 \rightarrow (f)$
 Status Affected: None
 Description: Bit 'b' in register 'f' is set.

BTFSS **Bit Test f, Skip if Set**

Syntax: *[label]* BTFSS *f,b*
 Operands: $0 \leq f \leq 127$
 $0 \leq b < 7$
 Operation: skip if $(f) = 1$
 Status Affected: None
 Description: If bit 'b' in register 'f' is '0', the next instruction is executed.
 If bit 'b' is '1', then the next instruction is discarded and a NOP is executed instead, making this a 2TCY instruction.

PIC16C781/782

BTFSC **Bit Test, Skip if Clear**

Syntax: *[label]* BTFSC f,b
Operands: $0 \leq f \leq 127$
 $0 \leq b \leq 7$
Operation: skip if (f) = 0
Status Affected: None
Description: If bit 'b' in register 'f' is '1', the next instruction is executed.
 If bit 'b', in register 'f', is '0', the next instruction is discarded, and a NOP is executed instead, making this a 2TCY instruction.

CALL **Call Subroutine**

Syntax: *[label]* CALL k
Operands: $0 \leq k \leq 2047$
Operation: (PC)+1 → TOS,
 k → PC<10:0>,
 (PCLATH<4:3>) → PC<12:11>
Status Affected: None
Description: Call Subroutine. First, return address (PC+1) is pushed onto the stack. The eleven-bit immediate address is loaded into PC bits <10:0>. The upper bits of the PC are loaded from PCLATH. CALL is a two-cycle instruction.

CLRF **Clear f**

Syntax: *[label]* CLRF f
Operands: $0 \leq f \leq 127$
Operation: 00h → (f)
 1 → Z
Status Affected: Z
Description: The contents of register 'f' are cleared and the Z bit is set.

CLRW **Clear W**

Syntax: *[label]* CLRW
Operands: None
Operation: 00h → (W)
 1 → Z
Status Affected: Z
Description: W register is cleared. Zero bit (Z) is set.

CLRWD **Clear Watchdog Timer**

Syntax: *[label]* CLRWD
Operands: None
Operation: 00h → WDT
 0 → WDT prescaler,
 1 → \overline{TO}
 1 → \overline{PD}
Status Affected: \overline{TO} , \overline{PD}
Description: CLRWD instruction resets the Watchdog Timer. It also resets the prescaler of the WDT. Status bits \overline{TO} and \overline{PD} are set.

COMF **Complement f**

Syntax: *[label]* COMF f,d
Operands: $0 \leq f \leq 127$
 d ∈ [0,1]
Operation: (\bar{f}) → (destination)
Status Affected: Z
Description: The contents of register 'f' are complemented. If 'd' is 0, the result is stored in W. If 'd' is 1, the result is stored back in register 'f'.

DECF **Decrement f**

Syntax: *[label]* DECF f,d
Operands: $0 \leq f \leq 127$
 d ∈ [0,1]
Operation: (f) - 1 → (destination)
Status Affected: Z
Description: Decrement register 'f'. If 'd' is 0, the result is stored in the W register. If 'd' is 1, the result is stored back in register 'f'.

DECFSZ Decrement f, Skip if 0

Syntax: [*label*] DECFSZ f,d

Operands: $0 \leq f \leq 127$
 $d \in [0,1]$

Operation: (f) - 1 → (destination);
 skip if result = 0

Status Affected: None

Description: The contents of register 'f' are decremented. If 'd' is 0, the result is placed in the W register. If 'd' is 1, the result is placed back in register 'f'.
 If the result is 1, the next instruction is executed. If the result is 0, then a NOP is executed instead, making it a 2TCY instruction.

INCFSZ Increment f, Skip if 0

Syntax: [*label*] INCFSZ f,d

Operands: $0 \leq f \leq 127$
 $d \in [0,1]$

Operation: (f) + 1 → (destination),
 skip if result = 0

Status Affected: None

Description: The contents of register 'f' are incremented. If 'd' is 0, the result is placed in the W register. If 'd' is 1, the result is placed back in register 'f'.
 If the result is 1, the next instruction is executed. If the result is 0, a NOP is executed instead, making it a 2TCY instruction.

GOTO Unconditional Branch

Syntax: [*label*] GOTO k

Operands: $0 \leq k \leq 2047$

Operation: $k \rightarrow PC<10:0>$
 $PCLATH<4:3> \rightarrow PC<12:11>$

Status Affected: None

Description: GOTO is an unconditional branch. The eleven-bit immediate value is loaded into PC bits <10:0>. The upper bits of PC are loaded from PCLATH<4:3>. GOTO is a two-cycle instruction.

IORLW Inclusive OR Literal with W

Syntax: [*label*] IORLW k

Operands: $0 \leq k \leq 255$

Operation: (W) .OR. k → (W)

Status Affected: Z

Description: The contents of the W register are OR'ed with the eight-bit literal 'k'. The result is placed in the W register.

INCF Increment f

Syntax: [*label*] INCF f,d

Operands: $0 \leq f \leq 127$
 $d \in [0,1]$

Operation: (f) + 1 → (destination)

Status Affected: Z

Description: The contents of register 'f' are incremented. If 'd' is 0, the result is placed in the W register. If 'd' is 1, the result is placed back in register 'f'.

IORWF Inclusive OR W with f

Syntax: [*label*] IORWF f,d

Operands: $0 \leq f \leq 127$
 $d \in [0,1]$

Operation: (W) .OR. (f) → (destination)

Status Affected: Z

Description: Inclusive OR the W register with register 'f'. If 'd' is 0 the result is placed in the W register. If 'd' is 1 the result is placed back in register 'f'.

PIC16C781/782

MOVF **Move f**

Syntax: [*label*] MOVF f,d

Operands: $0 \leq f \leq 127$
 $d \in [0,1]$

Operation: $(f) \rightarrow (\text{destination})$

Status Affected: Z

Description: The contents of register f are moved to a destination dependant upon the status of d. If $d = 0$, destination is W register. If $d = 1$, the destination is file register f itself. $d = 1$ is useful to test a file register, since status flag Z is affected.

MOVLW **Move Literal to W**

Syntax: [*label*] MOVLW k

Operands: $0 \leq k \leq 255$

Operation: $k \rightarrow (W)$

Status Affected: None

Description: The eight-bit literal 'k' is loaded into W register. The don't cares will assemble as 0's.

MOVWF **Move W to f**

Syntax: [*label*] MOVWF f

Operands: $0 \leq f \leq 127$

Operation: $(W) \rightarrow (f)$

Status Affected: None

Description: Move data from W register to register 'f'.

NOP **No Operation**

Syntax: [*label*] NOP

Operands: None

Operation: No operation

Status Affected: None

Description: No operation.

RETFIE **Return from Interrupt**

Syntax: [*label*] RETFIE

Operands: None

Operation: $TOS \rightarrow PC$,
 $1 \rightarrow GIE$

Status Affected: None

RETLW **Return with Literal in W**

Syntax: [*label*] RETLW k

Operands: $0 \leq k \leq 255$

Operation: $k \rightarrow (W)$;
 $TOS \rightarrow PC$

Status Affected: None

Description: The W register is loaded with the eight bit literal 'k'. The program counter is loaded from the top of the stack (the return address). This is a two-cycle instruction.

RETURN **Return from Subroutine**

Syntax: [*label*] RETURN

Operands: None

Operation: $TOS \rightarrow PC$

Status Affected: None

Description: Return from subroutine. The stack is POPed and the top of the stack (TOS) is loaded into the program counter. This is a two-cycle instruction.

RLF **Rotate Left f through Carry**

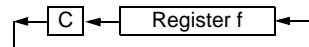
Syntax: [*label*] RLF f,d

Operands: $0 \leq f \leq 127$
 $d \in [0,1]$

Operation: See description below

Status Affected: C

Description: The contents of register 'f' are rotated one bit to the left through the Carry Flag. If 'd' is 0, the result is placed in the W register. If 'd' is 1, the result is stored back in register 'f'.



RRF **Rotate Right f through Carry**

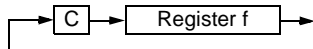
Syntax: [*label*] RRF f,d

Operands: $0 \leq f \leq 127$
 $d \in [0,1]$

Operation: See description below

Status Affected: C

Description: The contents of register 'f' are rotated one bit to the right through the Carry Flag. If 'd' is 0, the result is placed in the W register. If 'd' is 1, the result is placed back in register 'f'.



SUBWF **Subtract W from f**

Syntax: [*label*] SUBWF f,d

Operands: $0 \leq f \leq 127$
 $d \in [0,1]$

Operation: $(f) - (W) \rightarrow (\text{destination})$

Status Affected: C, DC, Z

Description: Subtract (2's complement method) W register from register 'f'. If 'd' is 0, the result is stored in the W register. If 'd' is 1, the result is stored back in register 'f'.

SLEEP

Syntax: [*label*] SLEEP

Operands: None

Operation: 00h \rightarrow WDT,
0 \rightarrow WDT prescaler,
1 \rightarrow $\overline{\text{TO}}$,
0 \rightarrow $\overline{\text{PD}}$

Status Affected: $\overline{\text{TO}}$, $\overline{\text{PD}}$

Description: The power-down status bit, $\overline{\text{PD}}$ is cleared. Time-out status bit, $\overline{\text{TO}}$ is set. Watchdog Timer and its prescaler are cleared. The processor is put into SLEEP mode with the oscillator stopped.

SWAPF **Swap Nibbles in f**

Syntax: [*label*] SWAPF f,d

Operands: $0 \leq f \leq 127$
 $d \in [0,1]$

Operation: $(f<3:0>) \rightarrow (\text{destination}<7:4>)$,
 $(f<7:4>) \rightarrow (\text{destination}<3:0>)$

Status Affected: None

Description: The upper and lower nibbles of register 'f' are exchanged. If 'd' is 0, the result is placed in W register. If 'd' is 1, the result is placed in register 'f'.

SUBLW **Subtract W from Literal**

Syntax: [*label*] SUBLW k

Operands: $0 \leq k \leq 255$

Operation: $k - (W) \rightarrow (W)$

Status Affected: C, DC, Z

Description: The W register is subtracted (2's complement method) from the eight-bit literal 'k'. The result is placed in the W register.

XORLW **Exclusive OR Literal with W**

Syntax: [*label*]

Operands: $0 \leq k \leq 255$

Operation: $(W) .\text{XOR. } k \rightarrow (W)$

Status Affected: Z

Description: The contents of the W register are XOR'ed with the eight-bit literal 'k'. The result is placed in the W register.

PIC16C781/782

XORWF	Exclusive OR W with f
Syntax:	<code>[label] XORWF f,d</code>
Operands:	$0 \leq f \leq 127$ $d \in [0,1]$
Operation:	$(W) .XOR. (f) \rightarrow (destination)$
Status Affected:	Z
Description:	Exclusive OR the contents of the W register with register 'f'. If 'd' is 0, the result is stored in the W register. If 'd' is 1, the result is stored back in register 'f'.

16.0 DEVELOPMENT SUPPORT

The PICmicro[®] microcontrollers are supported with a full range of hardware and software development tools:

- Integrated Development Environment
 - MPLAB[®] IDE Software
- Assemblers/Compilers/Linkers
 - MPASM[™] Assembler
 - MPLAB C17 and MPLAB C18 C Compilers
 - MPLINK[™] Object Linker/
MPLIB[™] Object Librarian
- Simulators
 - MPLAB SIM Software Simulator
- Emulators
 - MPLAB ICE 2000 In-Circuit Emulator
 - ICEPIC[™] In-Circuit Emulator
- In-Circuit Debugger
 - MPLAB ICD
- Device Programmers
 - PRO MATE[®] II Universal Device Programmer
 - PICSTART[®] Plus Entry-Level Development Programmer
- Low Cost Demonstration Boards
 - PICDEM[™] 1 Demonstration Board
 - PICDEM 2 Demonstration Board
 - PICDEM 3 Demonstration Board
 - PICDEM 17 Demonstration Board
 - KEELOQ[®] Demonstration Board

16.1 MPLAB Integrated Development Environment Software

The MPLAB IDE software brings an ease of software development previously unseen in the 8-bit microcontroller market. The MPLAB IDE is a Windows[®]-based application that contains:

- An interface to debugging tools
 - simulator
 - programmer (sold separately)
 - emulator (sold separately)
 - in-circuit debugger (sold separately)
- A full-featured editor
- A project manager
- Customizable toolbar and key mapping
- A status bar
- On-line help

The MPLAB IDE allows you to:

- Edit your source files (either assembly or 'C')
- One touch assemble (or compile) and download to PICmicro emulator and simulator tools (automatically updates all project information)
- Debug using:
 - source files
 - absolute listing file
 - machine code

The ability to use MPLAB IDE with multiple debugging tools allows users to easily switch from the cost-effective simulator to a full-featured emulator with minimal retraining.

16.2 MPASM Assembler

The MPASM assembler is a full-featured universal macro assembler for all PICmicro MCU's.

The MPASM assembler has a command line interface and a Windows shell. It can be used as a stand-alone application on a Windows 3.x or greater system, or it can be used through MPLAB IDE. The MPASM assembler generates relocatable object files for the MPLINK object linker, Intel[®] standard HEX files, MAP files to detail memory usage and symbol reference, an absolute LST file that contains source lines and generated machine code, and a COD file for debugging.

The MPASM assembler features include:

- Integration into MPLAB IDE projects.
- User-defined macros to streamline assembly code.
- Conditional assembly for multi-purpose source files.
- Directives that allow complete control over the assembly process.

16.3 MPLAB C17 and MPLAB C18 C Compilers

The MPLAB C17 and MPLAB C18 Code Development Systems are complete ANSI 'C' compilers for Microchip's PIC17CXXX and PIC18CXXX family of microcontrollers, respectively. These compilers provide powerful integration capabilities and ease of use not found with other compilers.

For easier source level debugging, the compilers provide symbol information that is compatible with the MPLAB IDE memory display.

16.4 MPLINK Object Linker/ MPLIB Object Librarian

The MPLINK object linker combines relocatable objects created by the MPASM assembler and the MPLAB C17 and MPLAB C18 C compilers. It can also link relocatable objects from pre-compiled libraries, using directives from a linker script.

The MPLIB object librarian is a librarian for pre-compiled code to be used with the MPLINK object linker. When a routine from a library is called from another source file, only the modules that contain that routine will be linked in with the application. This allows large libraries to be used efficiently in many different applications. The MPLIB object librarian manages the creation and modification of library files.

The MPLINK object linker features include:

- Integration with MPASM assembler and MPLAB C17 and MPLAB C18 C compilers.
- Allows all memory areas to be defined as sections to provide link-time flexibility.

The MPLIB object librarian features include:

- Easier linking because single libraries can be included instead of many smaller files.
- Helps keep code maintainable by grouping related modules together.
- Allows libraries to be created and modules to be added, listed, replaced, deleted or extracted.

16.5 MPLAB SIM Software Simulator

The MPLAB SIM software simulator allows code development in a PC-hosted environment by simulating the PICmicro series microcontrollers on an instruction level. On any given instruction, the data areas can be examined or modified and stimuli can be applied from a file, or user-defined key press, to any of the pins. The execution can be performed in single step, execute until break, or trace mode.

The MPLAB SIM simulator fully supports symbolic debugging using the MPLAB C17 and the MPLAB C18 C compilers and the MPASM assembler. The software simulator offers the flexibility to develop and debug code outside of the laboratory environment, making it an excellent multi-project software development tool.

16.6 MPLAB ICE High Performance Universal In-Circuit Emulator with MPLAB IDE

The MPLAB ICE universal in-circuit emulator is intended to provide the product development engineer with a complete microcontroller design tool set for PICmicro microcontrollers (MCUs). Software control of the MPLAB ICE in-circuit emulator is provided by the MPLAB Integrated Development Environment (IDE), which allows editing, building, downloading and source debugging from a single environment.

The MPLAB ICE 2000 is a full-featured emulator system with enhanced trace, trigger and data monitoring features. Interchangeable processor modules allow the system to be easily reconfigured for emulation of different processors. The universal architecture of the MPLAB ICE in-circuit emulator allows expansion to support new PICmicro microcontrollers.

The MPLAB ICE in-circuit emulator system has been designed as a real-time emulation system, with advanced features that are generally found on more expensive development tools. The PC platform and Microsoft® Windows environment were chosen to best make these features available to you, the end user.

16.7 ICEPIC In-Circuit Emulator

The ICEPIC low cost, in-circuit emulator is a solution for the Microchip Technology PIC16C5X, PIC16C6X, PIC16C7X and PIC16CXXX families of 8-bit One-Time-Programmable (OTP) microcontrollers. The modular system can support different subsets of PIC16C5X or PIC16CXXX products through the use of interchangeable personality modules, or daughter boards. The emulator is capable of emulating without target application circuitry being present.

16.8 MPLAB ICD In-Circuit Debugger

Microchip's In-Circuit Debugger, MPLAB ICD, is a powerful, low cost, run-time development tool. This tool is based on the FLASH PICmicro MCUs and can be used to develop for this and other PICmicro microcontrollers. The MPLAB ICD utilizes the in-circuit debugging capability built into the FLASH devices. This feature, along with Microchip's In-Circuit Serial Programming™ protocol, offers cost-effective in-circuit FLASH debugging from the graphical user interface of the MPLAB Integrated Development Environment. This enables a designer to develop and debug source code by watching variables, single-stepping and setting break points. Running at full speed enables testing hardware in real-time.

16.9 PRO MATE II Universal Device Programmer

The PRO MATE II universal device programmer is a full-featured programmer, capable of operating in stand-alone mode, as well as PC-hosted mode. The PRO MATE II device programmer is CE compliant.

The PRO MATE II device programmer has programmable VDD and VPP supplies, which allow it to verify programmed memory at VDD min and VDD max for maximum reliability. It has an LCD display for instructions and error messages, keys to enter commands and a modular detachable socket assembly to support various package types. In stand-alone mode, the PRO MATE II device programmer can read, verify, or program PICmicro devices. It can also set code protection in this mode.

16.10 PICSTART Plus Entry Level Development Programmer

The PICSTART Plus development programmer is an easy-to-use, low cost, prototype programmer. It connects to the PC via a COM (RS-232) port. MPLAB Integrated Development Environment software makes using the programmer simple and efficient.

The PICSTART Plus development programmer supports all PICmicro devices with up to 40 pins. Larger pin count devices, such as the PIC16C92X and PIC17C76X, may be supported with an adapter socket. The PICSTART Plus development programmer is CE compliant.

16.11 PICDEM 1 Low Cost PICmicro Demonstration Board

The PICDEM 1 demonstration board is a simple board which demonstrates the capabilities of several of Microchip's microcontrollers. The microcontrollers supported are: PIC16C5X (PIC16C54 to PIC16C58A), PIC16C61, PIC16C62X, PIC16C71, PIC16C8X, PIC17C42, PIC17C43 and PIC17C44. All necessary hardware and software is included to run basic demo programs. The user can program the sample microcontrollers provided with the PICDEM 1 demonstration board on a PRO MATE II device programmer, or a PICSTART Plus development programmer, and easily test firmware. The user can also connect the PICDEM 1 demonstration board to the MPLAB ICE in-circuit emulator and download the firmware to the emulator for testing. A prototype area is available for the user to build some additional hardware and connect it to the microcontroller socket(s). Some of the features include an RS-232 interface, a potentiometer for simulated analog input, push button switches and eight LEDs connected to PORTB.

16.12 PICDEM 2 Low Cost PIC16CXX Demonstration Board

The PICDEM 2 demonstration board is a simple demonstration board that supports the PIC16C62, PIC16C64, PIC16C65, PIC16C73 and PIC16C74 microcontrollers. All the necessary hardware and software is included to run the basic demonstration programs. The user can program the sample microcontrollers provided with the PICDEM 2 demonstration board on a PRO MATE II device programmer, or a PICSTART Plus development programmer, and easily test firmware. The MPLAB ICE in-circuit emulator may also be used with the PICDEM 2 demonstration board to test firmware. A prototype area has been provided to the user for adding additional hardware and connecting it to the microcontroller socket(s). Some of the features include a RS-232 interface, push button switches, a potentiometer for simulated analog input, a serial EEPROM to demonstrate usage of the I²C™ bus and separate headers for connection to an LCD module and a keypad.

16.13 PICDEM 3 Low Cost PIC16CXXX Demonstration Board

The PICDEM 3 demonstration board is a simple demonstration board that supports the PIC16C923 and PIC16C924 in the PLCC package. It will also support future 44-pin PLCC microcontrollers with an LCD Module. All the necessary hardware and software is included to run the basic demonstration programs. The user can program the sample microcontrollers provided with the PICDEM 3 demonstration board on a PRO MATE II device programmer, or a PICSTART Plus development programmer with an adapter socket, and easily test firmware. The MPLAB ICE in-circuit emulator may also be used with the PICDEM 3 demonstration board to test firmware. A prototype area has been provided to the user for adding hardware and connecting it to the microcontroller socket(s). Some of the features include a RS-232 interface, push button switches, a potentiometer for simulated analog input, a thermistor and separate headers for connection to an external LCD module and a keypad. Also provided on the PICDEM 3 demonstration board is a LCD panel, with 4 commons and 12 segments, that is capable of displaying time, temperature and day of the week. The PICDEM 3 demonstration board provides an additional RS-232 interface and Windows software for showing the demultiplexed LCD signals on a PC. A simple serial interface allows the user to construct a hardware demultiplexer for the LCD signals.

16.14 PICDEM 17 Demonstration Board

The PICDEM 17 demonstration board is an evaluation board that demonstrates the capabilities of several Microchip microcontrollers, including PIC17C752, PIC17C756A, PIC17C762 and PIC17C766. All necessary hardware is included to run basic demo programs, which are supplied on a 3.5-inch disk. A programmed sample is included and the user may erase it and program it with the other sample programs using the PRO MATE II device programmer, or the PICSTART Plus development programmer, and easily debug and test the sample code. In addition, the PICDEM 17 demonstration board supports downloading of programs to and executing out of external FLASH memory on board. The PICDEM 17 demonstration board is also usable with the MPLAB ICE in-circuit emulator, or the PICMASTER emulator and all of the sample programs can be run and modified using either emulator. Additionally, a generous prototype area is available for user hardware.

16.15 KEELOQ Evaluation and Programming Tools

KEELOQ evaluation and programming tools support Microchip's HCS Secure Data Products. The HCS evaluation kit includes a LCD display to show changing codes, a decoder to decode transmissions and a programming interface to program test transmitters.

TABLE 16-1: DEVELOPMENT TOOLS FROM MICROCHIP

Tool	PIC12CXXXX	PIC14000	PIC16C5X	PIC16C6X	PIC16CXX	PIC16C7X	PIC16C8X	PIC16F8XX	PIC16C9XX	PIC17C4X	PIC17C7XX	PIC18CXX2	PIC18FXX	24CXX/ 25CXX/ 93CXX	HCSXX	MCRFXXX	MCP2510
Software Tools																	
MPLAB® Integrated Development Environment	✓	✓	✓	✓	✓	✓	✓	✓	✓	✓	✓	✓	✓	✓	✓	✓	✓
MPLAB® C17 C Compiler																	
MPLAB® C18 C Compiler																	
MPASM™ Assembler/ MPLINK™ Object Linker	✓	✓	✓	✓	✓	✓	✓	✓	✓	✓	✓	✓	✓	✓	✓	✓	✓
MPLAB® ICE In-Circuit Emulator	✓	✓	✓	✓	✓	✓	✓	✓	✓	✓	✓	✓	✓	✓	✓	✓	✓
ICEPIC™ In-Circuit Emulator	✓		✓	✓	✓	✓	✓	✓	✓	✓	✓	✓	✓	✓	✓	✓	✓
Debugger																	
MPLAB® ICD In-Circuit Debugger			✓*	✓*	✓*	✓*	✓*	✓*	✓*	✓*	✓*	✓*	✓*	✓*	✓*	✓*	✓*
Programmers																	
PICSTART® Plus Entry Level Development Programmer	✓	✓	✓	✓	✓	✓	✓	✓	✓	✓	✓	✓	✓	✓	✓	✓	✓
PRO MATE® II Universal Device Programmer	✓	✓	✓	✓	✓	✓	✓	✓	✓	✓	✓	✓	✓	✓	✓	✓	✓
Demo Boards and Eval Kits																	
PICDEM™ 1 Demonstration Board			✓	✓	✓	✓	✓	✓	✓	✓	✓	✓	✓	✓	✓	✓	✓
PICDEM™ 2 Demonstration Board				✓†									✓				
PICDEM™ 3 Demonstration Board								✓									
PICDEM™ 14A Demonstration Board		✓															
PICDEM™ 17 Demonstration Board										✓							
KEELOQ® Evaluation Kit															✓		
KEELOQ® Transponder Kit															✓		
microID™ Programmer's Kit																✓	
125 kHz microID™ Developer's Kit																✓	
125 kHz Anticollision microID™ Developer's Kit																✓	
13.56 MHz Anticollision microID™ Developer's Kit																✓	
MCP2510 CAN Developer's Kit																✓	✓

* Contact the Microchip Technology Inc. web site at www.microchip.com for information on how to use the MPLAB® ICD In-Circuit Debugger (DV164001) with PIC16C62, 63, 64, 65, 72, 73, 74, 76, 77.

** Contact Microchip Technology Inc. for availability date.

† Development tool is available on select devices.

PIC16C781/782

NOTES:

17.0 ELECTRICAL CHARACTERISTICS

Absolute Maximum Ratings †

Ambient temperature under bias.....	-55°C to +125°C
Storage temperature	-65°C to +150°C
Voltage on any pin with respect to VSS (except VDD, $\overline{\text{MCLR}}$ and RA4)	-0.3V to (VDD + 0.3 V)
Voltage on VDD with respect to VSS	-0.3 to +7.5 V
Maximum voltage between AVDD and VDD pins.....	± 0.3 V
Maximum voltage between AVSS and VSS pins	± 0.3 V
Voltage on $\overline{\text{MCLR}}$ with respect to VSS.....	-0.3 V to +8.5 V
Voltage on RA4 with respect to Vss	0.3 V to +10.5 V
Total power dissipation ⁽¹⁾ (PDIP, SOIC).....	1.0 W
Total power dissipation ⁽¹⁾ (SSOP)	0.65 W
Maximum current out of VSS pin	300 mA
Maximum current into VDD pin	250 mA
Input clamp current, I _{IK} (V _I < 0 or V _I > VDD)	± 20 mA
Output clamp current, I _{OK} (V _O < 0 or V _O > VDD)	± 20 mA
Maximum output current sunk by any I/O pin.....	25 mA
Maximum output current sourced by any I/O pin	25 mA
Maximum current sunk by PORTA and PORTB (combined).....	200 mA
Maximum current sourced by PORTA and PORTB (combined).....	200 mA

Note 1: Power dissipation is calculated as follows: $P_{DIS} = V_{DD} \times \{I_{DD} - \sum I_{OH}\} + \sum \{(V_{DD} - V_{OH}) \times I_{OH}\} + \sum (V_{OL} \times I_{OL})$.

† NOTICE: Stresses above those listed under “Absolute Maximum Ratings” may cause permanent damage to the device. This is a stress rating only and functional operation of the device at those or any other conditions above those indicated in the operation listings of this specification is not implied. Exposure to maximum rating conditions for extended periods may affect device reliability.

PIC16C781/782

FIGURE 17-1: PIC16C781/782 VOLTAGE-FREQUENCY GRAPH, $-40^{\circ}\text{C} \leq T_A \leq +85^{\circ}\text{C}$

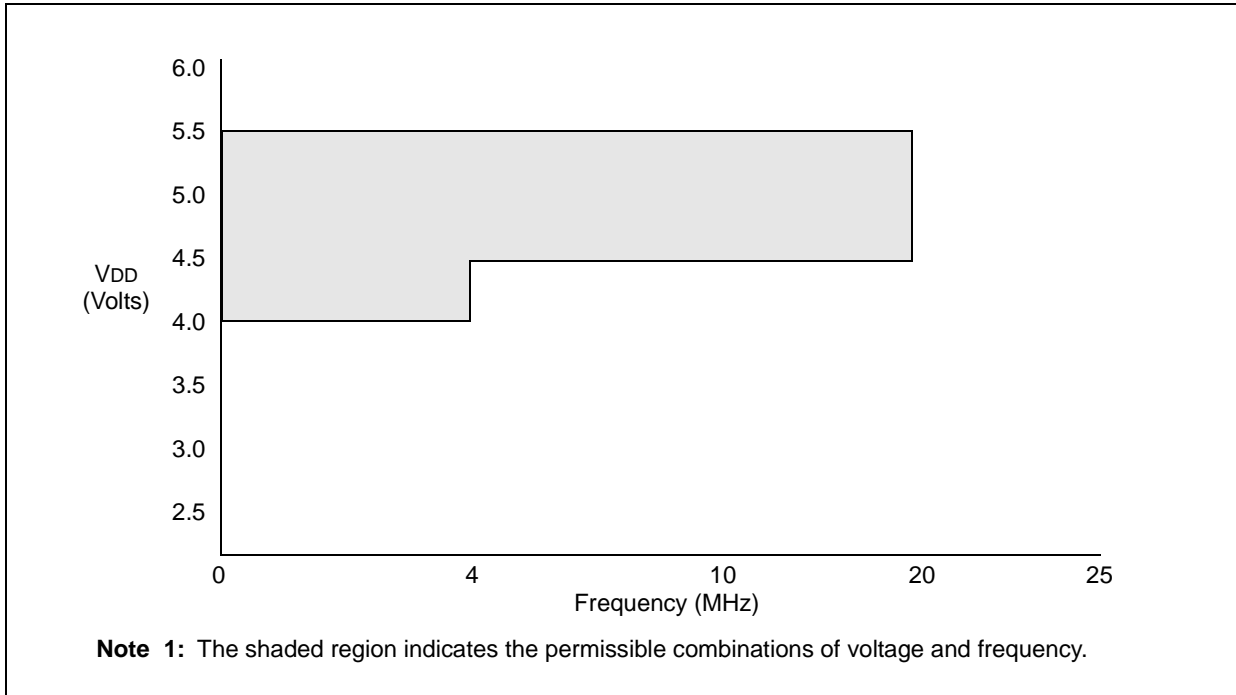
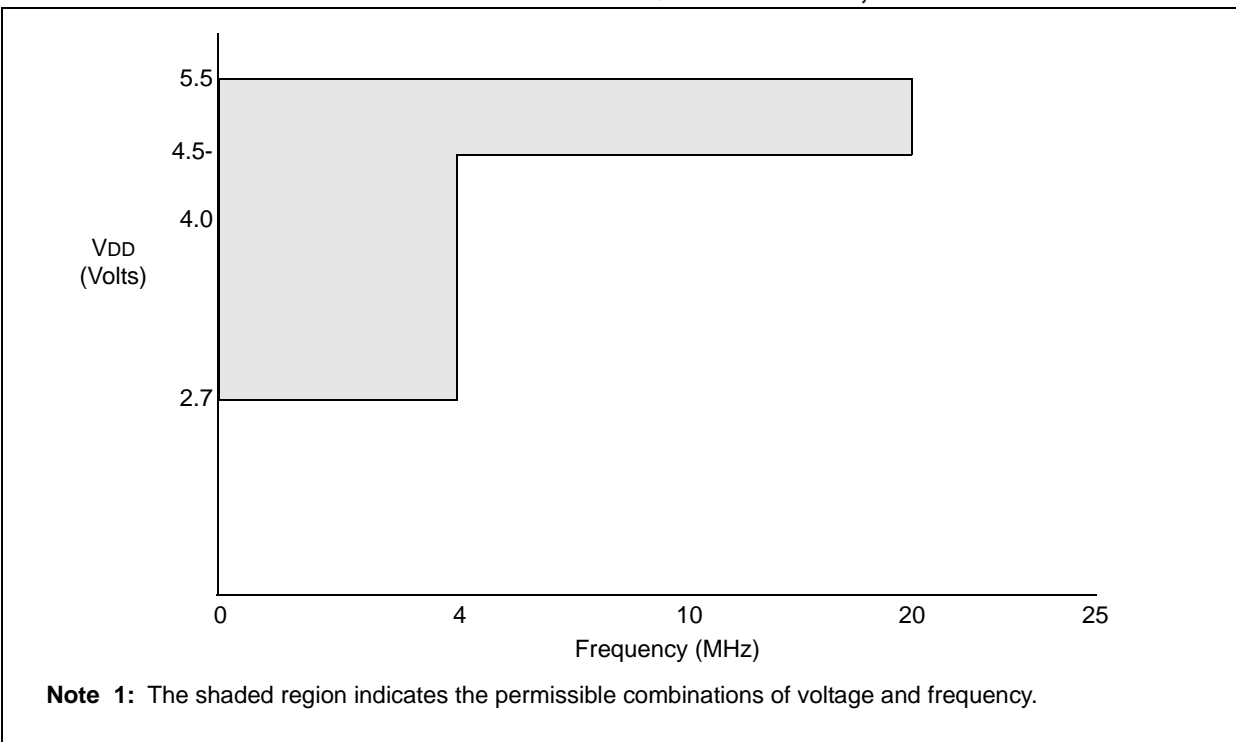


FIGURE 17-2: PIC16LC781/782 VOLTAGE-FREQUENCY GRAPH, $-40^{\circ}\text{C} \leq T_A \leq +85^{\circ}\text{C}$



17.1 DC Characteristics: Power Supply

TABLE 17-1: DC CHARACTERISTICS: PIC16C781/782, PIC16LC781/782 (INDUSTRIAL)

DC CHARACTERISTICS			Standard Operating Conditions (unless otherwise stated) Operating temperature -40°C ≤ TA ≤ +85°C for industrial				
Param No.	Sym	Characteristic	Min	Typ†	Max	Units	Conditions
D001	VDD	Supply Voltage	4.0 4.5	—	5.5 5.5	V	XT, EC, RC, INTRC Oscillator HS Oscillator
D001A	VDD	Supply Voltage (PIC16LC781/782)	2.7 4.5	—	5.5 5.5	V	XT, EC, RC, INTRC Oscillator HS Oscillator
D002*	VDR	RAM Data Retention Voltage ⁽¹⁾	—	1.5	—	V	
D003	VPOR	VDD Start Voltage to ensure internal Power-on Reset signal	—	TBD	—	V	See section on Power-on Reset for details
D004*	SVDD	VDD Rise Rate to ensure internal Power-on Reset signal	0.05	—	—	V/ms	See section on Power-on Reset for details. PWRT enabled
D010	IDD	Supply Current ⁽²⁾	—	TBD	TBD	mA	FOSC = 20 MHz, VDD = 5.5V* HS Oscillator
			—	TBD	TBD	mA	FOSC = 20 MHz, VDD = 4.5V HS Oscillator
			—	TBD	TBD	mA	FOSC = 4 MHz, VDD = 4.0V* XT, RC w/CLKOUT
			—	TBD	TBD	mA	FOSC = 32 kHz, VDD = 4.0V LP Oscillator
D020 D020A	IPD	Power-down Current ⁽³⁾	—	TBD	TBD	µA	VDD = 5.5V
			—	1.5	19	µA	VDD = 4.0V
	IOPA	Operational Amplifier	—	TBD	TBD	mA	VDD = 5.0V, GBWP = 0
				TBD	TBD	mA	VDD = 5.0V, GBWP = 1
	IVC*	Voltage Comparators C1 and C2	—	TBD	TBD	mA	VDD = 5.0V, VID > 100 mV C1SP = 0
			—	TBD	TBD	mA	VDD = 5.0, VID > 100 mV C1SP = 1
	IADC*	Digital to Analog Converter (DAC)	—	TBD	TBD	mA	VDD = 5.0V
D021	IWDT*	Watchdog Timer	—	TBD	TBD	mA	VDD = 4.0V
D026	IAD*	Analog-to-Digital Converter (ADC)	—	TBD	TBD	mA	VDD = 5.5V, ADC not converting
	IPLVD*	Programmable Low Voltage Detect		TBD	TBD	mA	VDD = 4.0V
	IPBOR*	Programmable Brown-out Reset		TBD	TBD	mA	VDD = 5.0V
1A	FOSC	LP Oscillator, Operating Freq.	9	—	200	kHz	All temperatures
		INTRC Oscillator Operating Freq.	—	4	—	MHz	All temperatures, OSCF = 1
			—	37	—	kHz	All temperatures, OSCF = 0
		XT Oscillator Operating Freq.	0	—	4	MHz	All temperatures
		HS Oscillator Operating Freq.	0	—	20	MHz	All temperatures

* These parameters are characterized but not tested.

† Data in "Typ" column is at 5V, 25°C unless otherwise stated. These parameters are for design guidance only and are not tested.

Note 1: This is the limit to which VDD can be lowered without losing RAM data.

Note 2: The supply current is mainly a function of the operating voltage and frequency. Other factors, such as I/O pin loading and switching rate, oscillator type, internal code execution pattern, and temperature also have an impact on the current consumption.

The test conditions for all IDD measurements in active operation mode are:

OSC1 = external square wave, from rail-to-rail; all I/O pins configured as inputs, pulled to VDD

MCLR = VDD; WDT enabled/disabled as specified.

Note 3: The power-down current in SLEEP mode does not depend on the oscillator type. Power-down current is measured with the part in SLEEP mode, with all I/O pins configured as inputs and tied to VDD or VSS.

PIC16C781/782

17.2 DC Characteristics: Input/Output Pins

TABLE 17-2: DC CHARACTERISTICS: PIC16C781/782, PIC16LC781/782 (INDUSTRIAL)

DC CHARACTERISTICS			Standard Operating Conditions (unless otherwise stated) Operating temperature $-40^{\circ}\text{C} \leq T_A \leq +85^{\circ}\text{C}$ for industrial and Operating voltage V_{DD} range as described in DC spec Section 17-1				
Param No.	Sym	Characteristic	Min	Typ†	Max	Units	Conditions
D030 D030A D031 D032 D033	V_{IL}	Input Low Voltage I/O ports: with TTL buffer with Schmitt Trigger buffer $\overline{\text{MCLR}}$ OSC1 (in XT, HS, LP and EC)	V_{SS} V_{SS} V_{SS} V_{SS} V_{SS}	— — — — —	$0.15V_{DD}$ 0.8V $0.2V_{DD}$ $0.2V_{DD}$ $0.3V_D$	V V V V V	For entire V_{DD} range $4.5V \leq V_{DD} \leq 5.5V$ For entire V_{DD} range
D040 D040A D041 D042 D042A	V_{IH}	Input High Voltage I/O ports: with TTL buffer with Schmitt Trigger buffer $\overline{\text{MCLR}}$ OSC1 (XT, HS, LP and EC)	2.0 ($0.25V_{DD}$ + 0.8V) $0.8V_{DD}$ $0.8V_{DD}$ $0.7V_{DD}$	— — — — —	V_{DD} V_{DD} V_{DD} V_{DD} V_{DD}	V V V V V	$4.5V \leq V_{DD} \leq 5.5V$ For entire V_{DD} range For entire V_{DD} range
D070	IPURB	PORTB Weak Pull-up Current Per Pin	50	250	400	μA	$V_{DD} = 5V, V_{PIN} = V_{SS}$
D060 D060A D061 D063	I_{IL} I_{IL}	Input Leakage Current^(1,2) I/O ports (with digital functions) I/O ports (with analog functions) $\overline{\text{RA5}}/\overline{\text{MCLR}}/V_{PP}$ OSC1	— — — —	— — — —	± 1 ± 100 ± 5 ± 5	μA nA μA μA	$V_{SS} \leq V_{PIN} \leq V_{DD}$, Pin at hi-impedance $V_{SS} \leq V_{PIN} \leq V_{DD}$, Pin at hi-impedance $V_{SS} \leq V_{PIN} \leq V_{DD}$ $V_{SS} \leq V_{PIN} \leq V_{DD}$, XT, HS, LP and EC osc configuration
D080	V_{OL}	Output Low Voltage I/O ports (Includes CLKOUT)	—	—	0.6	V	$I_{OL} = 8.5\text{ mA}, V_{DD} = 4.5V$
D090	V_{OH}	Output High Voltage I/O ports ⁽²⁾ (Includes CLKOUT)	$V_{DD} - 0.7$	—	—	V	$I_{OH} = -3.0\text{ mA}, V_{DD} = 4.5V$
D150*	V_{OD}	Open Drain High Voltage	—	—	10.5	V	RA4 pin
D100 D101	C_{osc2} C_{IO}	Capacitive Loading Specs on Output Pins* OSC2 pin All I/O pins and OSC2 (in RC mode)	— —	— —	15 50	pF pF	In XT, HS and LP modes when external clock is used to drive OSC1.

* These parameters are characterized but not tested.

† Data in "Typ" column is at 5V, 25°C unless otherwise stated. These parameters are for design guidance only and are not tested.

Note 1: The leakage current on the $\overline{\text{MCLR}}$ pin is strongly dependent on the applied voltage level. The specified levels represent normal operating conditions. Higher leakage current may be measured at different input voltages.

2: Negative current is defined as current sourced by the pin.

17.3 AC Characteristics: PIC16C781/782 (Industrial)

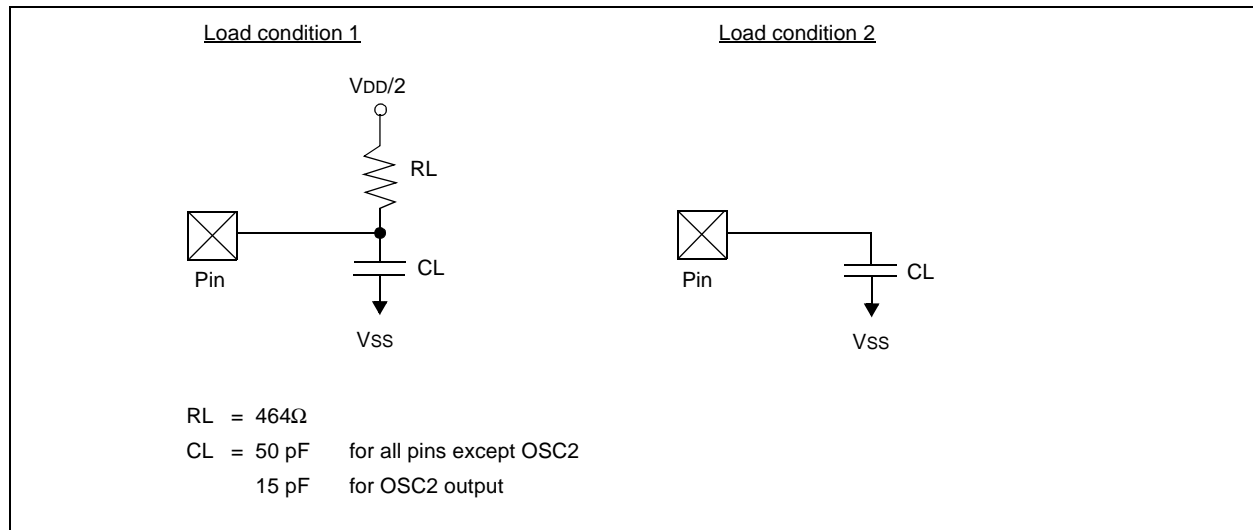
17.3.1 TIMING PARAMETER SYMBOLOGY

The timing parameter symbols have been created following one of the following formats:

1. TppS2ppS
2. TppS

T			
F	Frequency	T	Time
Lowercase letters (pp) and their meanings:			
pp			
ck	CLKOUT	osc	OSC1
dt	Data in	t0	T0CKI
io	I/O port	t1	T1CKI
mc	MCLR		
Uppercase letters and their meanings:			
S			
F	Fall	P	Period
H	High	R	Rise
I	Invalid (Hi-impedance)	V	Valid
L	Low	Z	Hi-impedance
		High	High
		Low	Low

FIGURE 17-3: LOAD CONDITIONS



PIC16C781/782

17.3.2 TIMING DIAGRAMS AND SPECIFICATIONS

FIGURE 17-4: CLKOUT AND I/O TIMING

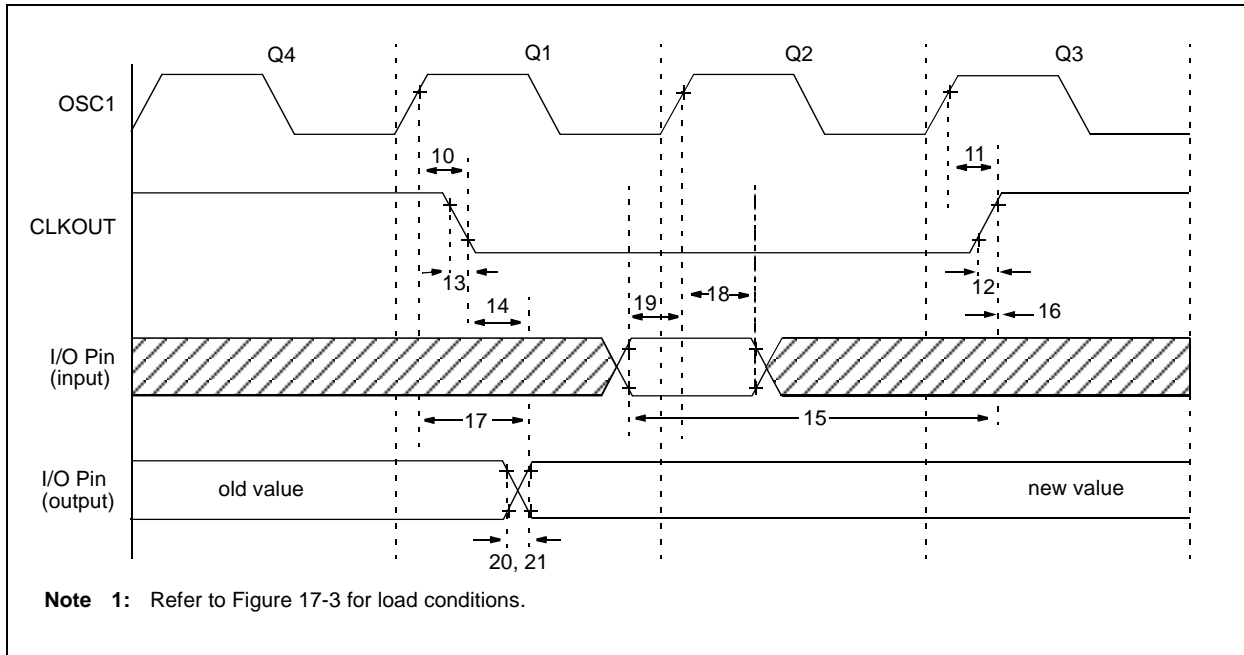


TABLE 17-3: CLKOUT AND I/O TIMING REQUIREMENTS

Parameter No.	Sym	Characteristic	Min	Typ†	Max	Units	Conditions
10*	TosH2ckL	OSC1↑ to CLKOUT↓	—	75	200	ns	(Note 1)
11*	TosH2ckH	OSC1↑ to CLKOUT↑	—	75	200	ns	(Note 1)
12*	TckR	CLKOUT rise time	—	35	100	ns	(Note 1)
13*	TckF	CLKOUT fall time	—	35	100	ns	(Note 1)
14*	TckL2ioV	CLKOUT ↓ to Port out valid	—	—	0.5TCY + 20	ns	(Note 1)
15*	TioV2ckH	Port in valid before CLKOUT ↑	0.25TCY + 25	—	—	ns	(Note 1)
16*	TckH2ioI	Port in hold after CLKOUT ↑	0	—	—	ns	(Note 1)
17*	TosH2ioV	OSC1↑ (Q1 cycle) to Port out valid	—	50	150	ns	
18*	TosH2ioI	OSC1↑ (Q2 cycle) to Port input invalid (I/O in hold time)	PIC16C781/782	100	—	—	ns
			PIC16LC781/782	200	—	—	ns
19*	TioV2osH	Port input valid to OSC1↑ (I/O in setup time)	0	—	—	ns	
20*	TioR	Port output rise time	PIC16C781/782	—	10	25	ns
			PIC16LC781/782	—	—	60	ns
21*	TioF	Port output fall time	PIC16C781/782	—	10	25	ns
			PIC16LC781/782	—	—	60	ns
22††*	TINP	INT pin high or low time	TCY	—	—	ns	
23††*	TRBP	RB7:RB0 change INT high or low time	TCY	—	—	ns	

* These parameters are characterized but not tested.

† Data in "Typ" column is at 5V, 25°C unless otherwise stated. These parameters are for design guidance only and are not tested.

†† These parameters are asynchronous events † related to any internal clock edges.

Note 1: Measurements are taken in RC mode where CLKOUT output is 4 x TOSC.

FIGURE 17-5: EXTERNAL CLOCK TIMING

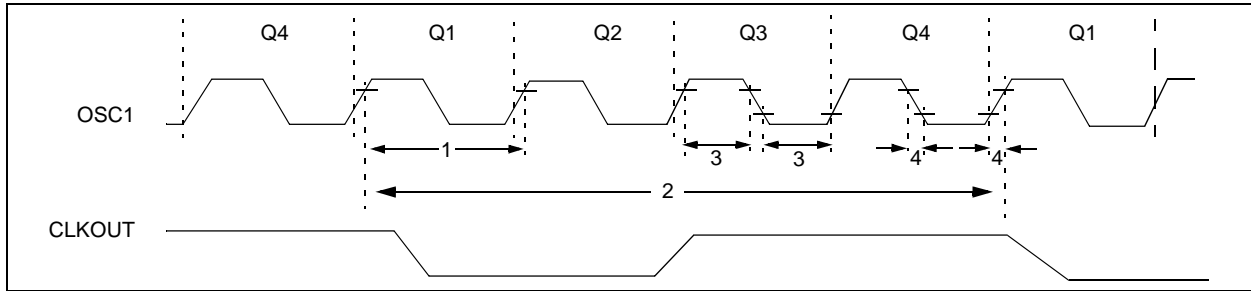


TABLE 17-4: EXTERNAL CLOCK TIMING REQUIREMENTS

Parameter No.	Sym	Characteristic	Min	Typ†	Max	Units	Conditions
1A	FOSC	External CLKIN Frequency ⁽¹⁾	DC	—	4	MHz	XT osc mode
			DC	—	20	MHz	EC osc mode
			DC	—	20	MHz	HS osc mode
			DC	—	200	kHz	LP osc mode
		Oscillator Frequency ⁽¹⁾	0.1	—	4	MHz	XT osc mode
			4	—	20	MHz	HS osc mode
			5	—	200	kHz	LP osc mode
1	TOSC	External CLKIN Period ⁽¹⁾	250	—	—	ns	XT and RC osc mode
			50	—	—	ns	EC osc mode
			50	—	—	ns	HS osc mode
			5	—	—	μs	LP osc mode
		Oscillator Period ⁽¹⁾	250	—	10,000	ns	XT osc mode
			50	—	250	ns	HS osc mode
			5	—	—	μs	LP osc mode
2	TCY	Instruction Cycle Time ⁽¹⁾	200	Tcy	DC	ns	TCY = 4/FOSC
3*	TOSL, TOSH	External Clock in (OSC1) High or Low Time	100	—	—	ns	XT oscillator
			2.5	—	—	μs	LP oscillator
			15	—	—	ns	HS oscillator EC oscillator
4*	TOSR, TOSF	External Clock in (OSC1) Rise or Fall Time	—	—	25	ns	XT oscillator
			—	—	50	ns	LP oscillator
			—	—	15	ns	HS oscillator EC oscillator

* These parameters are characterized but not tested.

† Data in "Typ" column is at 5V, 25°C unless otherwise stated. These parameters are for design guidance only and are not tested.

Note 1: Instruction cycle period (TCY) equals four times the input oscillator time-base period. All specified values are based on characterization data for that particular oscillator type under standard operating conditions with the device executing code. Exceeding these specified limits may result in an unstable oscillator operation and/or higher than expected current consumption. All devices are tested to operate at "min." values with an external clock applied to the OSC1/CLKIN pin. When an external clock input is used, the "Max." cycle time limit is "DC" (no clock) for all devices.

PIC16C781/782

TABLE 17-5: INTERNAL RC OSCILLATOR CALIBRATED FREQUENCIES PIC16C781/782, PIC16LC781/782

AC Characteristics		Standard Operating Conditions (unless otherwise specified) Operating Temperature $-40^{\circ}\text{C} \leq T_A \leq +85^{\circ}\text{C}$ (industrial) Operating Voltage V_{DD} range is described in Section 17-1.					
Parameter No.	Sym	Characteristic	Min	Typ ⁽¹⁾	Max	Units	Conditions
		Internal Calibrated RC Frequency	3.65	4.00	4.28	MHz	$V_{DD} = 5.0\text{V}$
		Internal Calibrated RC Frequency	3.55*	4.00	4.31*	MHz	$V_{DD} = 2.5\text{V}$

* These parameters are characterized but not tested.

Note 1: Data in the Typical ("Typ") column is at 5V, 25°C unless otherwise stated. These parameters are for design guidance only and are not tested.

FIGURE 17-6: RESET, WATCHDOG TIMER, OSCILLATOR START-UP TIMER AND POWER-UP TIMER TIMING

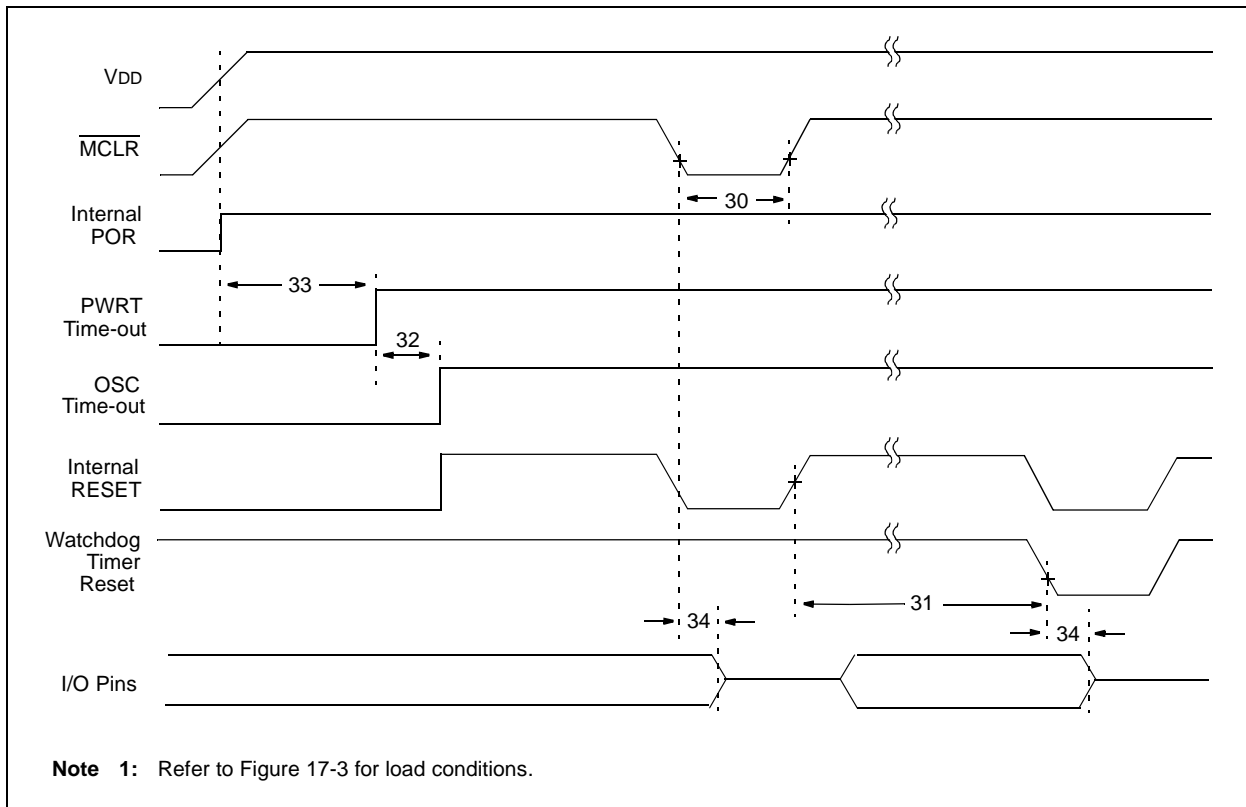


FIGURE 17-7: BROWN-OUT RESET TIMING

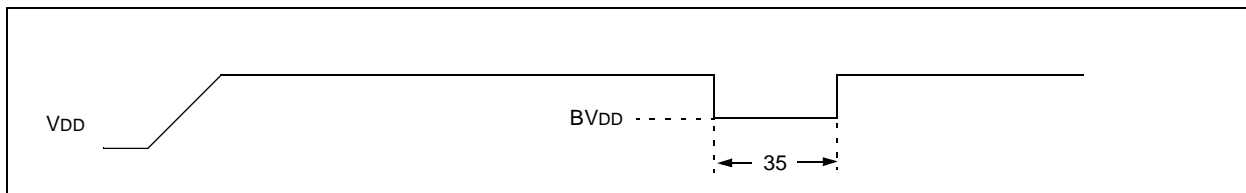


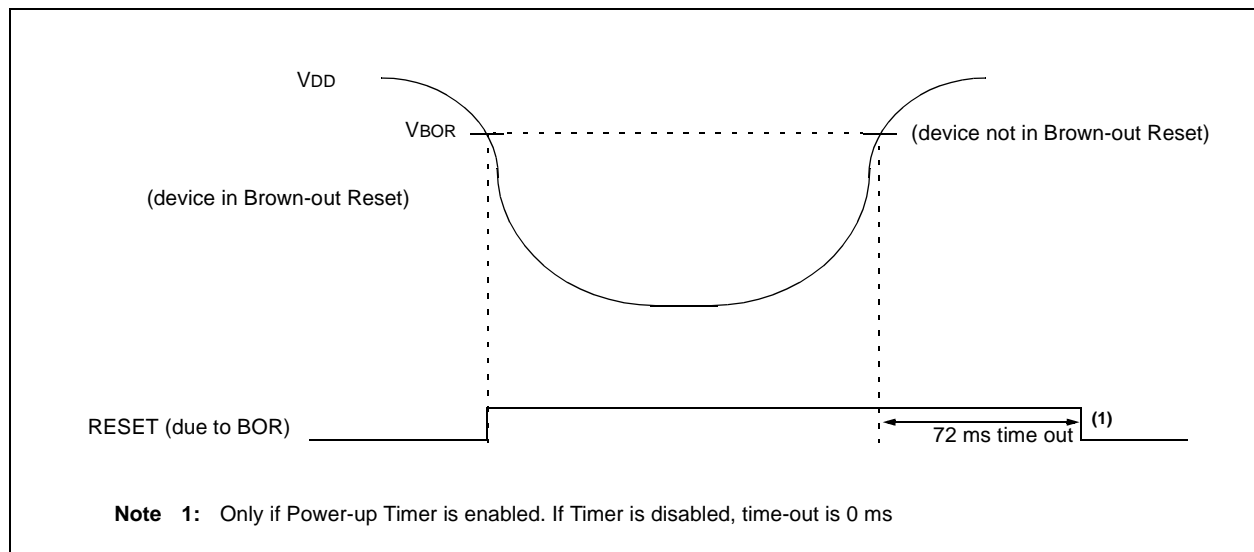
TABLE 17-6: RESET, WATCHDOG TIMER, OSCILLATOR START-UP TIMER, POWER-UP TIMER, AND BROWN-OUT RESET REQUIREMENTS

Parameter No.	Sym	Characteristic	Min	Typ†	Max	Units	Conditions
30*	TMCL	MCLR Pulse Width (low)	2	—	—	μs	VDD = 5V, -40°C to +85°C
31*	TWDT	Watchdog Timer Time-out Period (No Prescaler)	7	18	33	ms	VDD = 5V, -40°C to +85°C
32*	TOST	Oscillation Start-up Timer Period	—	1024 TOSC	—	—	TOSC = OSC1 period
33*	TPWRT	Power-up Timer Period	28	72	132	ms	VDD = 5V, -40°C to +85°C
34*	TIOZ	I/O Hi-impedance from MCLR Low or Watchdog Timer Reset	—	—	2.1	μs	
35*	TBOR	Brown-out Reset pulse width	100	—	—	μs	VDD ≤ VBOR (D005)

* These parameters are characterized but not tested.

† Data in "Typ" column is at 5V, 25°C unless otherwise stated. These parameters are for design guidance only and are not tested.

FIGURE 17-8: BROWN-OUT RESET CHARACTERISTICS



PIC16C781/782

FIGURE 17-9: TIMER0 AND TIMER1 EXTERNAL CLOCK TIMINGS

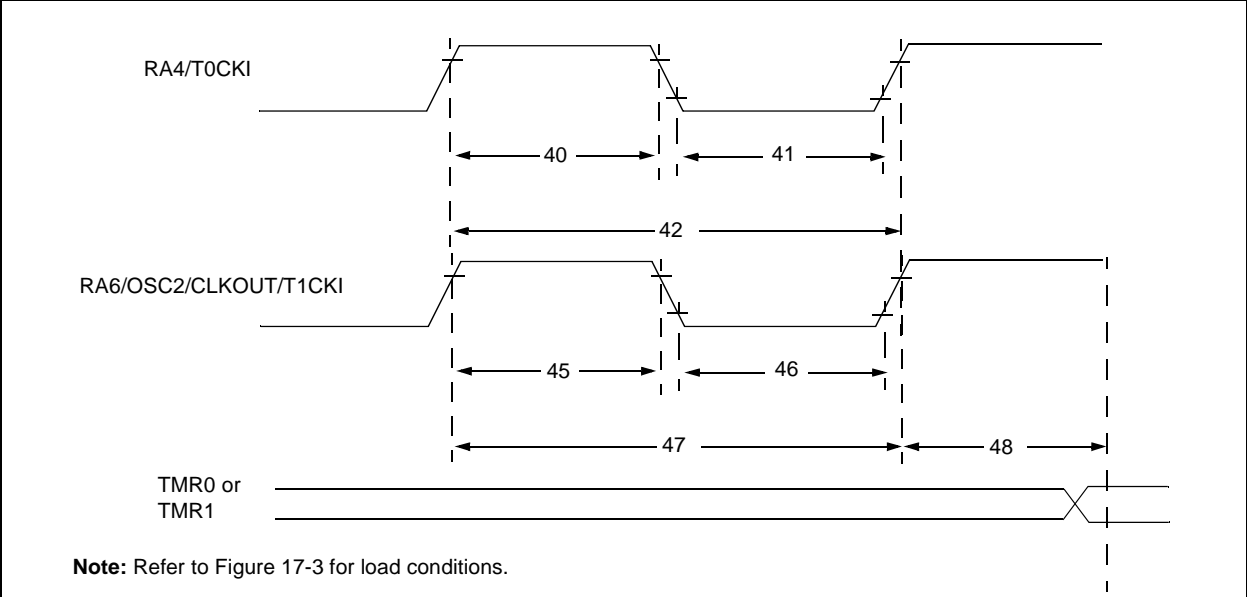


TABLE 17-7: TIMER0 AND TIMER1 EXTERNAL CLOCK REQUIREMENTS

Param No.	Sym	Characteristic		Min	Typ†	Max	Units	Conditions	
40*	TTOH	TOCKI High Pulse Width		No Prescaler	0.5TCY + 20	—	—	ns	Must also meet parameter 42
				With Prescaler	10	—	—	ns	
41*	TTOL	TOCKI Low Pulse Width		No Prescaler	0.5TCY + 20	—	—	ns	Must also meet parameter 42
				With Prescaler	10	—	—	ns	
42*	TTOP	TOCKI Period		No Prescaler	TCY + 40	—	—	ns	N = prescale value (2, 4, ..., 256)
				With Prescaler	Greater of: 20 or $\frac{TCY + 40}{N}$	—	—	ns	
45*	TT1H	T1CKI High Time	Synchronous, Prescaler = 1		0.5TCY + 20	—	—	ns	Must also meet parameter 47
			Synchronous, Prescaler = 2,4,8	PIC16C781/782	15	—	—	ns	
			Asynchronous	PIC16C781/782	30	—	—	ns	
45*	TT1H	T1CKI High Time	Synchronous, Prescaler = 1		0.5TCY + 20	—	—	ns	Must also meet parameter 47
			Synchronous, Prescaler = 2,4,8	PIC16LC781/782	15	—	—	ns	
			Asynchronous	PIC16LC781/782	30	—	—	ns	
46*	TT1L	T1CKI Low Time	Synchronous, Prescaler = 1		0.5TCY + 20	—	—	ns	Must also meet parameter 47
			Synchronous, Prescaler = 2,4,8	PIC16C781/782	15	—	—	ns	
			Asynchronous	PIC16C781/782	30	—	—	ns	
46*	TT1L	T1CKI Low Time	Synchronous, Prescaler = 1		0.5TCY + 20	—	—	ns	Must also meet parameter 47
			Synchronous, Prescaler = 2,4,8	PIC16LC781/782	15	—	—	ns	
			Asynchronous	PIC16LC781/782	30	—	—	ns	
47*	TT1P	T1CKI input period	Synchronous	PIC16C781/782	Greater of: 30 OR $\frac{TCY + 40}{N}$	—	—	ns	N = prescale value (1, 2, 4, 8)
			Asynchronous	PIC16C781/782	60	—	—	ns	
47*	TT1P	T1CKI input period	Synchronous	PIC16LC781/782	Greater of: 30 OR $\frac{TCY + 40}{N}$	—	—	ns	N = prescale value (1, 2, 4, 8)
			Asynchronous	PIC16C781/782	60	—	—	ns	
	FT1	Timer1 oscillator input frequency range (oscillator enabled by setting bit T1OSCEN)		DC	—	50	kHz		
48*	Tcke2tmr1	Delay from external clock edge to timer increment		2TOSC	—	7TOSC	—		

* These parameters are characterized but not tested.

† Data in "Typ" column is at 5V, 25°C unless otherwise stated. These parameters are for design guidance only and are not tested.

PIC16C781/782

17.4 Operational Amplifier

TABLE 17-8: DC CHARACTERISTICS: OPERATIONAL AMPLIFIER (OPA)

DC CHARACTERISTICS Standard Operating Conditions (unless otherwise stated): $V_{DD} = 2.7V$ to $5.5V$, $T_A = 25^\circ C$, $V_{CM} = V_{DD}/2$, $R_L = 100\text{ k}\Omega$ to $V_{DD}/2$, and $V_{OUT} \sim V_{DD}/2$ Operating Temperature $-40^\circ C$ to $+85^\circ C$ for Industrial							
Param No.	Parameters	Symbol	Min	Typ	Max	Units	Conditions
	Input Offset Voltage Input Offset Voltage	VOS	TBD	± 2	TBD	mV	Prior to Auto Calibration
	Input Offset Voltage Input Offset Voltage	VOS	TBD	± 100	TBD	μV	Following Auto Calibration
	Input Current and Impedance Input Bias Current Input Offset Bias Current	I _B I _{OS}	-50 —	— ± 1	+50 —	nA pA	Following Auto Calibration
	Common Mode Common Mode Input Range Common Mode Rejection	V _{CM} CMR	V _{SS} TBD	— 80	$V_{DD}-1.4$ —	V dB	Following Auto Calibration $V_{DD} = 5\text{ V}$ $V_{CM} = V_{DD}/2$, Frequency = DC
	Open Loop Gain DC Open Loop Gain DC Open Loop Gain	AOL	—	90	—	dB	GBWP = 1 following Auto Calibration $R_L = 25\text{ k}\Omega$ connected to $V_{DD}/2$, $50\text{ mV} < V_{OUT} < V_{DD} - 50\text{ mV}$ $R_L = 5\text{ k}\Omega$ connected to $V_{DD}/2$, $100\text{ mV} < V_{OUT} < V_{DD} - 100\text{ mV}$
	DC Open Loop Gain DC Open Loop Gain	AOL	—	TBD	—	dB	
	DC Open Loop Gain DC Open Loop Gain	AOL	—	TBD	—	dB	GBWP = 0 following Auto Calibration $R_L = 50\text{ k}\Omega$ connected to $V_{DD}/2$, $50\text{ mV} < V_{OUT} < V_{DD} - 50\text{ mV}$ $R_L = 100\text{ k}\Omega$ connected to $V_{DD}/2$, $50\text{ mV} < V_{OUT} < V_{DD} - 50\text{ mV}$
	Output Output Voltage Swing Output Short Circuit Current	V _{OUT} I _{SC}	$V_{SS}+0.1$ —	— 25	$V_{DD}-0.1$ TBD	V mA	GBWP = 1 Following Auto Calibration $R_L = 5\text{ k}\Omega$ connected to $V_{DD}/2$ $V_{DD} = 5\text{ V}$
	Power Supply Power Supply Rejection	PSR	—	80	—	dB	Following Auto Calibration
	Auto Calibration Reference	ACR	TBD	1.2	TBD	V	CALREF = 0

TABLE 17-9: AC CHARACTERISTICS: OPERATIONAL AMPLIFIER (OPA)

AC CHARACTERISTICS			Standard Operating Conditions (unless otherwise stated): V _{DD} = 2.7V to 5.5V, V _{SS} = GND, T _A = 25°C, V _{CM} = V _{DD} /2, R _L = 100kΩ to V _{DD} /2, and V _{OUT} = V _{DD} /2 Operating Temperature -40°C to +85°C for Industrial				
Param No.	Parameters	Symbol	Min	Typ	Max	Units	Conditions
	Gain Bandwidth Product	GBWP	—	75	—	kHz	V _{DD} = 5V, GBWP = 0
		GBWP	—	2	—	MHz	V _{DD} = 5V, GBWP = 1
	Input Offset Auto Calibration Time	T _Z	—	300	TBD	μs	V _{DD} = 5V, GBWP = 1
		T _Z	—	TBD	TBD	μs	V _{DD} = 5V GBWP = 0
	Turn On Time	T _{ON}	—	10	TBD	μs	V _{DD} = 5V, GBWP = 1
		T _{ON}	—	TBD	TBD	μs	V _{DD} = 5V, GBWP = 0
	Phase Margin	∅ _M	—	TBD	—	degrees	V _{DD} = 5V, GBWP = 0
		∅ _M	—	TBD	—	degrees	V _{DD} = 5V, GBWP = 1
	Slew Rate	SR	—	TBD	—	V/μs	V _{DD} = 5V, GBWP = 0
		SR	—	TBD	—	V/μs	V _{DD} = 5V, GBWP = 1

Note: Data in 'Typ' column is at 5V, 25°C unless otherwise stated. These parameters are for design guidance only and are not tested.

PIC16C781/782

17.5 Comparators

TABLE 17-10: DC CHARACTERISTICS: VOLTAGE COMPARATORS C1 AND C2

DC CHARACTERISTICS			Standard Operating Conditions (unless otherwise stated): VDD = 2.7V to 5.5V, TA = 25°C, VCM = VDD/2 Operating Temperature -40°C to +85°C for Industrial				
Param No.	Parameters	Symbol	Min	Typ	Max	Units	Conditions
	Input Offset Voltage	VOS	TBD	±1	TBD	mV	C1SP = 1, C2SP = 1
			TBD	±2.5	TBD	mV	C1SP = 0, C2SP = 0
	Input Current and Impedance						
	Input Bias Current	IB	TBD	—	—	nA	
	Input Offset Bias Current	IOS	—	TBD	TBD	nA	
	Common Mode						
	Common Mode Input Range	VCM	VSS	—	VDD-	V	VDD = 5V
	Common Mode Rejection	CMR	—	70	1.4V	dB	VCM = VDD/2, Frequency = DC
	Open Loop Gain						
	DC Open Loop Gain	AOL	—	90	—	dB	
	Power Supply Rejection	PSR	—	TBD	—	dB	VDD = 5V

TABLE 17-11: AC CHARACTERISTICS: COMPARATORS C1 AND C2

AC CHARACTERISTICS			Standard Operating Conditions (unless otherwise stated): VDD = 2.7V to 5.5V, TA = 25°C, VCM = VDD/2 Operating Temperature -40°C to +85°C for Industrial				
Param No.	Parameters	Symbol	Min	Typ	Max	Units	Conditions
	Response Time						
	Response Time	t _r	—	75	—	ns	VDD = 5V, C1SP = 1, C2SP = 1, Comparator output signal is for internal use only, Input overdrive = 10 mV, step = 110 mV, VCM = VDD/2.
		t _r	—	0.5	—	μs	VDD = 5V, C1SP = 0, C2SP = 0, Comparator output signal is for internal use only, Input overdrive = 10 mV, step = 110 mV, VCM = VDD/2.
		t _r	—	100	TBD	ns	VDD = 5, CL = 100 pF, C1SP = 1, C2SP = 1, Comparator output is available on I/O pin, Input overdrive = 10 mV, step = 110 mV, VCM = VDD/2.
		t _r	—	0.5	TBD	μs	VDD = 5, CL = 100 pF, C1SP = 0, C2SP = 0, Comparator output is available on I/O pin, Input overdrive = 10 mV, step = 110 mV, VCM = VDD/2.
	Turn On Time	T _{ON}	—	10	TBD	μs	C1SP = 0, C2SP = 0, VDD = 5V
			—	TBD	TBD	μs	C1SP = 1, C2SP = 1, VDD = 5V

17.6 Digital-to-Analog Converter (DAC)

TABLE 17-12: DC CHARACTERISTICS: DIGITAL-TO-ANALOG CONVERTER (DAC)

DC CHARACTERISTICS			Standard Operating Conditions (unless otherwise stated):				
			VDD = 2.7V to 5.5V, TA = 25°C				
			VDD = 5V, DACREF = 5V				
			Operating Temperature -40°C to +85°C for Industrial				
Param No.	Parameters	Symbol	Min	Typ	Max	Units	Conditions
	Resolution	RES			8	bits	
	Transfer Function Accuracy						VDD = 5V, DACREF = 5V
	Integral Non-Linearity Error	INL(1)	TBD	.25	TBD	LSb	
	Differential Non-Linearity Error	DNL(1)	TBD	.10	TBD	LSb	
	Offset Error		TBD	±2.5	TBD	mV	
	Gain Error		TBD	.25	TBD	LSb	
	DACREF Input Characteristics						
	DACREF Input Impedance	RREF	TBD	100	—	kΩ	
	DACREF Input Max Voltage	VMAX	TBD	—	VDD	V	
	Output Characteristics						
	Output Voltage Range	VOUT	VSS+.05	—	VDD-0.05	V	VDD = 5V RL = 100 kΩ to VDD/2
			VSS+0.1	—	VDD-0.1	V	VDD = 5V RL = 25 kΩ to VDD/2
	Output Short Circuit Current	Isc*	—	2	TBD	mA	VDD = 5V
	Output Series Resistance	Ro*	—	TBD	TBD	Ω	VDD ≥ 3V VDAC = VDD/2
	Power Supply						
	Power Supply Current	IDAC	—	250	TBD	μA	VDD = 5V

* Characterized, but not tested.

Note 1: Calculated using end point method.

TABLE 17-13: AC CHARACTERISTICS: DIGITAL-TO-ANALOG CONVERTER (DAC)

AC CHARACTERISTICS			Standard Operating Conditions (unless otherwise stated):				
			VDD = 2.7 V to 5.5 V, TA = 25°C				
			Operating Temperature -40°C to +85°C for Industrial				
Param No.	Parameters	Symbol	Min	Typ	Max	Units	Conditions
	Output Characteristics						
	Slew Rate	SR	—	1	—	V/μs	VDD = 5 V, CL = 50 pF
	Settling Time	Ts	—	5	10	μs	VDD = 5 V, CL = 50 pF Settling time to 1/2 LSb for 10%FS to 90%FS step
	Turn On Time	TON	—	10	TBD	μs	VDD = 5 V

Note 1: Data in 'Typ' column is at 5V, 25° C unless otherwise stated. These parameters are for design guidance only and are not tested.

PIC16C781/782

17.7 Analog Peripherals Characteristics

17.7.1 BANDGAP VOLTAGE

Bandgap voltage is used as the reference voltage in the PBOR, PLVD, Auto Calibration, and VR modules

FIGURE 17-10: BANDGAP START-UP TIME

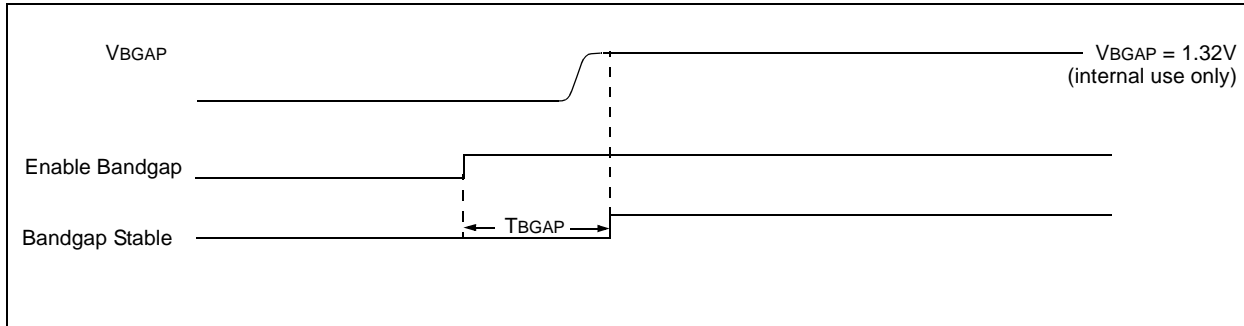


TABLE 17-14: BANDGAP START-UP TIME

Parameter No.	Sym	Characteristic	Min	Typ†	Max	Units	Conditions
36*	TBGAP	Bandgap start-up time	—	30	—	μs	Defined as the time between the instant that the bandgap is enabled and the moment that the bandgap reference voltage is stable.

* These parameters are characterized but not tested.

† Data in "Typ" column is at 5V, 25°C unless otherwise stated. These parameters are for design guidance only and are not tested.

17.7.2 VR MODULE

TABLE 17-15: DC CHARACTERISTICS: VR

DC CHARACTERISTICS			Standard Operating Conditions (unless otherwise stated): Operating temperature $-40^{\circ}\text{C} \leq T_A \leq +85^{\circ}\text{C}$ for industrial Operating voltage V_{DD} as described in Section 17.1				
Param No.	Symbol	Characteristic	Min	Typ†	Max	Units	Conditions
D400	VR	Output Voltage	—	3.072	—	V	$V_{DD} \geq 3.5\text{V}$
D402*	TCVOUT	Output Voltage Temperature Coefficient	—	TBD	TBD	ppm/°C	
D404*	IVREFSO	External Load Source	—	—	5	mA	
D405*	IVREFSI	External Load Sink	—	—	-5	mA	
	CL*	External Capacitor Load	—	—	200	pF	
D406*	DVOUT/ DIOUT	Load Regulation	—	1	TBD	mV/mA	ISOURCE = 0 mA to 5 mA
			—	1	TBD		ISINK = 0 mA to 5 mA
D407*	DVOUT/ DVDD	Supply Regulation	—	—	1	mV/V	

* These parameters are characterized but not tested.

† Data in "Typ" column is at 5V, 25°C unless otherwise stated. These parameters are for design guidance only and are not tested.

17.7.3 PROGRAMMABLE LOW VOLTAGE DETECT MODULE (PLVD)

TABLE 17-16: LOW VOLTAGE DETECT CHARACTERISTICS

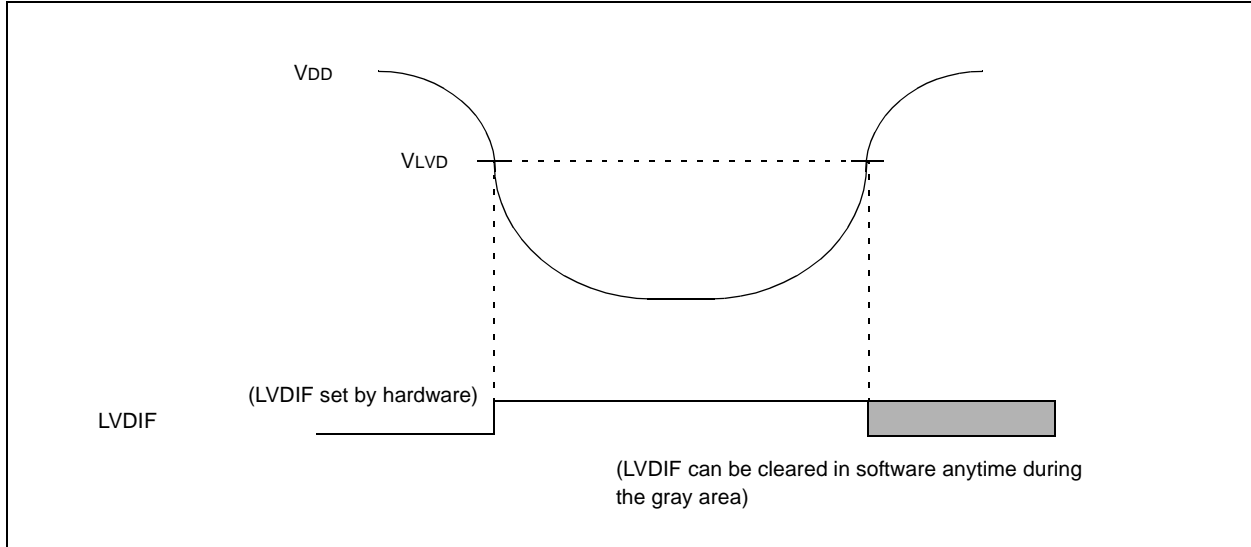


TABLE 17-17: ELECTRICAL CHARACTERISTICS: PLVD

DC CHARACTERISTICS			Standard Operating Conditions (unless otherwise stated)					
			Operating temperature $-40^{\circ}\text{C} \leq T_A \leq +85^{\circ}\text{C}$ for Industrial					
			Operating voltage V_{DD} range as described in DC spec Section 17-1.					
Param No.	Characteristic		Symbol	Min	Typ†	Max	Units	Conditions
D420*	PLVD Voltage	LV = 0100	VPLVD	2.35	—	2.80	V	—
		LV = 0101		2.55	—	3.02	V	—
		LV = 0110		2.64	—	3.14	V	—
		LV = 0111		2.83	—	3.37	V	—
		LV = 1000		3.11	—	3.71	V	—
		LV = 1001		3.29	—	3.93	V	—
		LV = 1010		3.39	—	4.04	V	—
		LV = 1011		3.58	—	4.26	V	—
		LV = 1100		3.77	—	4.49	V	—
		LV = 1101		3.95	—	4.71	V	—
		LV = 1110		4.23	—	5.05	V	—

† Data in "Typ" column is at 5V, 25°C unless otherwise stated. These parameters are for design guidance only and are not tested.

Note 1: Production tested at $T_{AMB} = 25^{\circ}\text{C}$. Specifications over temperature limits ensured by characterization.

PIC16C781/782

17.7.4 PROGRAMMABLE BROWN-OUT RESET MODULE DC CHARACTERISTICS: PBOR

DC CHARACTERISTICS		Standard Operating Conditions (unless otherwise stated): Operating temperature $-40^{\circ}\text{C} \leq T_A \leq +85^{\circ}\text{C}$ for Industrial Operating voltage V_{DD} range as described in DC spec Section 17-1.						
Param No.	Characteristic	Symbol	Min	Typ	Max	Units	Conditions	
D005*	BOR Voltage	BORV<1:0> = 11	V _{BOR}	2.35	—	2.80	V	—
		BORV<1:0> = 10		2.55	—	3.02		—
		BORV<1:0> = 01		3.95	—	4.71		—
		BORV<1:0> = 00		4.23	—	5.05		—

TABLE 17-18: ADC CONVERTER CHARACTERISTICS PIC16C781/782

Param No.	Sym	Characteristic	Min	Typ†	Max	Units	Conditions
A01	NR	Resolution	—	—	8	bits	ADCRE _F = AV _{DD} = 5.12V, V _{SS} ≤ V _{AIN} ≤ ADCRE _F
A02	EABS	Absolute Error	—	—	< ±1	LSb	ADCRE _F = AV _{DD} = 5.12V, V _{SS} ≤ V _{AIN} ≤ ADCRE _F
			—	—	< ±2	LSb	ADCRE _F = AV _{DD} = 3.0V ⁽³⁾
A03	INL	Integral Non Linearity Error	—	—	< ±1	LSb	ADCRE _F = AV _{DD} = 5.12V, V _{SS} ≤ V _{AIN} ≤ ADCRE _F
			—	—	< ±2	LSb	ADCRE _F = AV _{DD} = 3.0V ⁽³⁾
A04	DNL	Differential Non Linearity Error	—	—	< ±1	LSb	ADCRE _F = AV _{DD} = 5.12V, V _{SS} ≤ V _{AIN} ≤ ADCRE _F
			—	—	< ±2	LSb	ADCRE _F = AV _{DD} = 3.0V ⁽³⁾
A05	GN	Gain Error	—	—	< ±1	LSb	ADCRE _F = AV _{DD} = 5.12V, V _{SS} ≤ V _{AIN} ≤ ADCRE _F
			—	—	< ±2	LSb	ADCRE _F = AV _{DD} = 3.0V ⁽³⁾
A06	EOFF	Offset Error	—	—	< ±1	LSb	ADCRE _F = AV _{DD} = 5.12V, V _{SS} ≤ V _{AIN} ≤ ADCRE _F
			—	—	< ±2	LSb	ADCRE _F = AV _{DD} = 3.0V ⁽³⁾
A10	—	Monotonicity	—	guaranteed ⁽⁴⁾	—	—	V _{SS} ≤ V _{AIN} ≤ ADCRE _F
A20	ADCRE _F	Reference Voltage	3.0V	—	V _{DD} + 0.3	V	—
A25	V _{AIN}	Analog Input Voltage	V _{SS} - 0.3	—	ADCRE _F	V	—
A30	Z _{AIN}	Recommended Impedance of Analog Voltage Source	—	—	10.0	kΩ	—
A40	I _{ADC}	ADC Conversion Current (V _{DD})	—	180	—	μA	Average current consumption when ADC is on. ⁽¹⁾
A50	I _{REF}	ADCRE _F Input Current ⁽²⁾	10	—	1000	μA	During V _{AIN} acquisition. Based on differential of V _{HOLD} to V _{AIN} . To charge CHOLD, see Section 9.3.
			—	—	40	μA	During ADC Conversion cycle.

* These parameters are characterized but not tested.

† Data in "Typ" column is at 5V, 25°C unless otherwise stated. These parameters are for design guidance only and are not tested.

- Note** 1: When ADC is off, it will not consume any current other than minor leakage current. The power-down current specification (D020A) includes any such leakage from the ADC module.
- 2: ADCRE_F current is from RA3/AN3/VREF1 pin or AV_{DD} pin, whichever is selected as reference input.
- 3: These specifications apply if ADCRE_F = 3.0 V and if AV_{DD} ≥ 3.0 V. V_{AIN} must be between V_{SS} and ADCRE_F.
- 4: The A/D conversion result never decreases with an increase in the Input Voltage and has no missing codes.

FIGURE 17-11: ADC CONVERSION TIMING

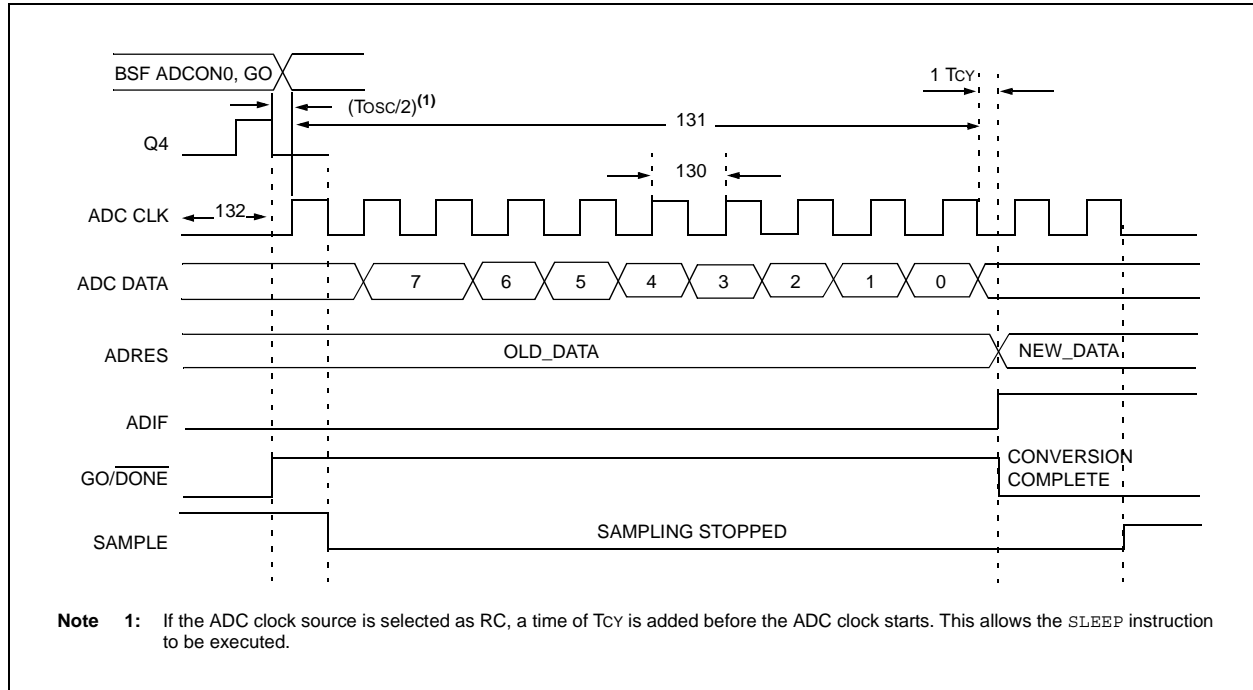


TABLE 17-19: ADC CONVERSION REQUIREMENTS

Param No.	Sym	Characteristic	Min	Typ†	Max	Units	Conditions
130	TAD	ADC clock period ADC Internal RC Oscillator Period	2.0 TBD	4.0 TBD	6.0 TBD	μs μs	ADC RC mode
131	TCNV	Conversion time (not including S/H time) ⁽¹⁾	—	9.5	—	TAD	
132	TACQ	Acquisition time ⁽²⁾	5*	20	—	μs μs	The minimum time is the amplifier settling time. This may be used if the "new" input voltage has not changed by more than 1 LSb (i.e., 19.5 mV @ 5.12V) from the last sampled voltage (as stated on CHOLD).
134	TGO	Q4 to ADC clock start	—	Tosc/2§	—	—	If the ADC clock source is selected as RC, a time of Tcy is added before the ADC clock starts. This allows the SLEEP instruction to be executed.
135	TSWC	Switching from convert → sample time	1.5§	—	—	TAD	

* These parameters are characterized but not tested.

† Data in "Typ" column is at 5V, 25°C unless otherwise stated. These parameters are for design guidance only and are not tested.

§ These specifications ensured by design.

Note 1: ADRES register may be read on the following Tcy cycle.

Note 2: See Section 13.1 for min. conditions.

PIC16C781/782

NOTES:

18.0 DC AND AC CHARACTERISTICS GRAPHS AND TABLES

The graphs and tables provided in this section are for design guidance and are not tested nor guaranteed. In some graphs or tables the data presented is outside specified operating range (e.g., outside specified VDD range.). This is for information only and devices are ensured to operate properly only within the specified range. The data presented in this section is a statistical summary of data collected on units from different lots over a period of time.

Standard deviation is denoted by sigma (σ).

Typ or Typical represents the mean of the distribution at 25°C.

Max or Maximum represents the mean $+3\sigma$ over the temperature range of -40°C to 85°C.

Min or Minimum represents the mean -3σ over the temperature range of -40°C to 85°C.

Graphs and Tables are not available at this time.

PIC16C781/782

NOTES:

19.0 PACKAGING INFORMATION

19.1 Package Marking Information

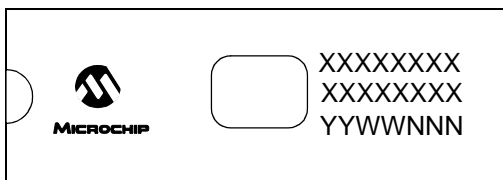
20-Lead SSOP



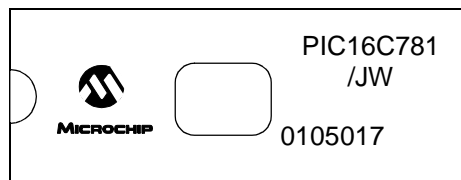
Example



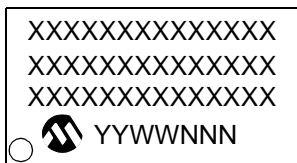
20-Lead CERDIP Windowed



Example



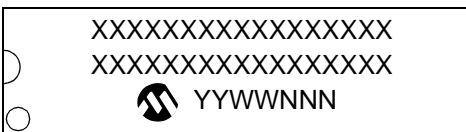
20-Lead SOIC



Example



20-Lead PDIP



Example

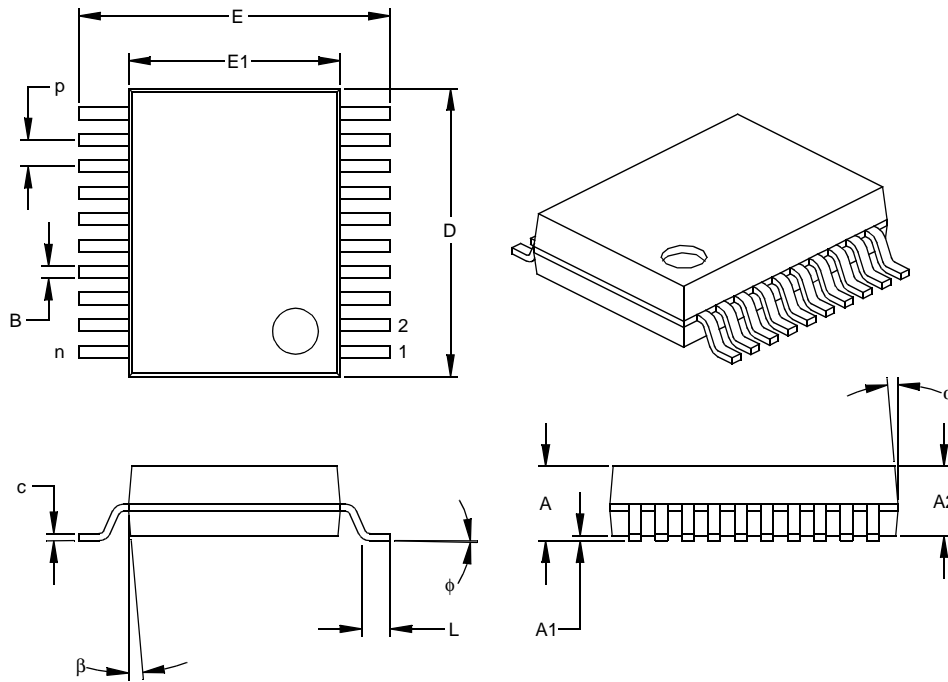


Legend:	XX...X	Customer specific information*
	Y	Year code (last digit of calendar year)
	YY	Year code (last 2 digits of calendar year)
	WW	Week code (week of January 1 is week '01')
	NNN	Alphanumeric traceability code
Note: In the event the full Microchip part number cannot be marked on one line, it will be carried over to the next line thus limiting the number of available characters for customer specific information.		

* Standard PICmicro device marking consists of Microchip part number, year code, week code, and traceability code. For PICmicro device marking beyond this, certain price adders apply. Please check with your Microchip Sales Office. For QTP devices, any special marking adders are included in QTP price.

PIC16C781/782

20-Lead Plastic Shrink Small Outline (SS) – 209 mil, 5.30 mm (SSOP)



Dimension Limits	Units	INCHES*			MILLIMETERS		
		MIN	NOM	MAX	MIN	NOM	MAX
Number of Pins	n		20			20	
Pitch	p		.026			0.65	
Overall Height	A	.068	.073	.078	1.73	1.85	1.98
Molded Package Thickness	A2	.064	.068	.072	1.63	1.73	1.83
Standoff §	A1	.002	.006	.010	0.05	0.15	0.25
Overall Width	E	.299	.309	.322	7.59	7.85	8.18
Molded Package Width	E1	.201	.207	.212	5.11	5.25	5.38
Overall Length	D	.278	.284	.289	7.06	7.20	7.34
Foot Length	L	.022	.030	.037	0.56	0.75	0.94
Lead Thickness	c	.004	.007	.010	0.10	0.18	0.25
Foot Angle	φ	0	4	8	0.00	101.60	203.20
Lead Width	B	.010	.013	.015	0.25	0.32	0.38
Mold Draft Angle Top	α	0	5	10	0	5	10
Mold Draft Angle Bottom	β	0	5	10	0	5	10

* Controlling Parameter

§ Significant Characteristic

Notes:

Dimensions D and E1 do not include mold flash or protrusions. Mold flash or protrusions shall not exceed .010" (0.254mm) per side.

JEDEC Equivalent: MO-150

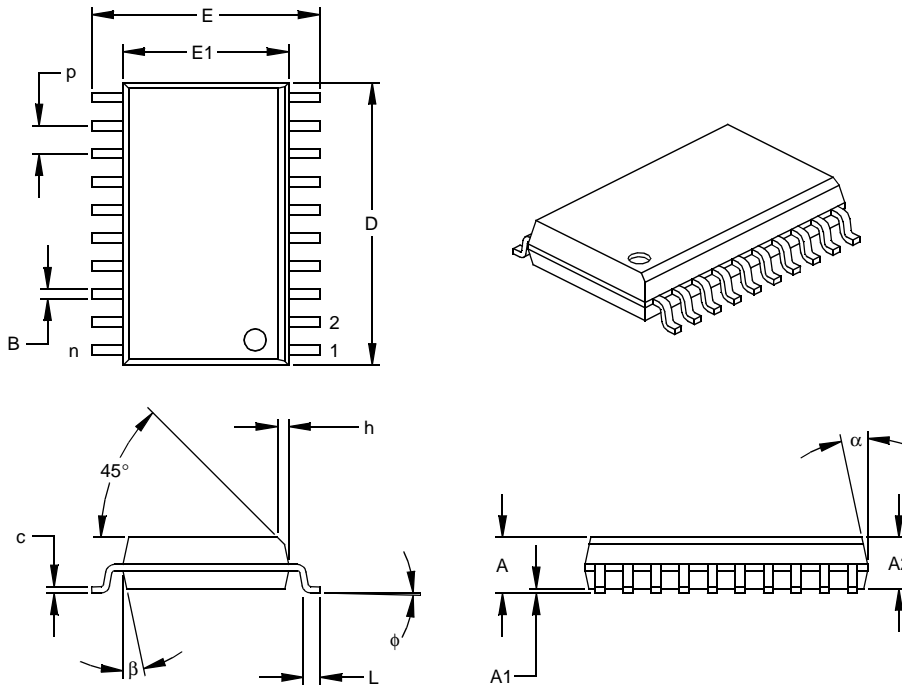
Drawing No. C04-072

20-Lead Cerdip Windowed

Diagram not available at this time.

PIC16C781/782

20-Lead Plastic Small Outline (SO) – Wide, 300 mil (SOIC)



Dimension Limits	Units	INCHES*			MILLIMETERS		
		MIN	NOM	MAX	MIN	NOM	MAX
Number of Pins	n		20			20	
Pitch	P		.050			1.27	
Overall Height	A	.093	.099	.104	2.36	2.50	2.64
Molded Package Thickness	A2	.088	.091	.094	2.24	2.31	2.39
Standoff §	A1	.004	.008	.012	0.10	0.20	0.30
Overall Width	E	.394	.407	.420	10.01	10.34	10.67
Molded Package Width	E1	.291	.295	.299	7.39	7.49	7.59
Overall Length	D	.496	.504	.512	12.60	12.80	13.00
Chamfer Distance	h	.010	.020	.029	0.25	0.50	0.74
Foot Length	L	.016	.033	.050	0.41	0.84	1.27
Foot Angle	φ	0	4	8	0	4	8
Lead Thickness	c	.009	.011	.013	0.23	0.28	0.33
Lead Width	B	.014	.017	.020	0.36	0.42	0.51
Mold Draft Angle Top	α	0	12	15	0	12	15
Mold Draft Angle Bottom	β	0	12	15	0	12	15

* Controlling Parameter

§ Significant Characteristic

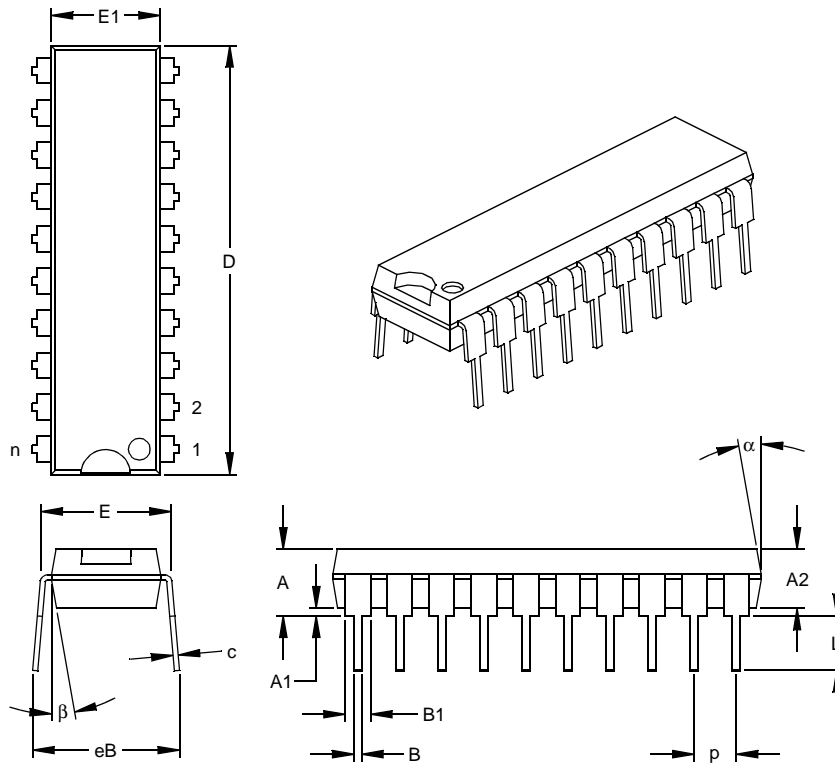
Notes:

Dimensions D and E1 do not include mold flash or protrusions. Mold flash or protrusions shall not exceed .010" (0.254mm) per side.

JEDEC Equivalent: MS-013

Drawing No. C04-094

20-Lead Plastic Dual In-line (P) – 300 mil (PDIP)



Units		INCHES*			MILLIMETERS		
Dimension Limits		MIN	NOM	MAX	MIN	NOM	MAX
Number of Pins	n		20			20	
Pitch	p		.100			2.54	
Top to Seating Plane	A	.140	.155	.170	3.56	3.94	4.32
Molded Package Thickness	A2	.115	.130	.145	2.92	3.30	3.68
Base to Seating Plane	A1	.015			0.38		
Shoulder to Shoulder Width	E	.295	.310	.325	7.49	7.87	8.26
Molded Package Width	E1	.240	.250	.260	6.10	6.35	6.60
Overall Length	D	1.025	1.033	1.040	26.04	26.24	26.42
Tip to Seating Plane	L	.120	.130	.140	3.05	3.30	3.56
Lead Thickness	c	.008	.012	.015	0.20	0.29	0.38
Upper Lead Width	B1	.055	.060	.065	1.40	1.52	1.65
Lower Lead Width	B	.014	.018	.022	0.36	0.46	0.56
Overall Row Spacing	§ eB	.310	.370	.430	7.87	9.40	10.92
Mold Draft Angle Top	α	5	10	15	5	10	15
Mold Draft Angle Bottom	β	5	10	15	5	10	15

* Controlling Parameter

§ Significant Characteristic

Notes:

Dimensions D and E1 do not include mold flash or protrusions. Mold flash or protrusions shall not exceed .010" (0.254mm) per side.

JEDEC Equivalent: MS-001

Drawing No. C04-019

PIC16C781/782

NOTES:

INDEX

A

ADC	
Accuracy/Error	75
Connection Considerations	76
Conversion Time	75
Converter Characteristics	164
Effects of a RESET	76
Faster Conversion - Lower Resolution Trade-off	75
Flow Chart of ADC Operation	77
References	76
Transfer Function	76
ADC Acquisition Requirements	73
ADC Conversion Clock	72
ADC Minimum Charging Time	73
ADC Operation During SLEEP	75
Analog Signal Multiplexing Diagram	7
Analog-to-digital Converter (ADC) Module	69
Analog-to-Digital Converter Module	
Control Registers	70
Assembler	
MPASM Assembler	141
B	
Banking, Data Memory	17
Block Diagrams	
ADC Module	69
Auto Calibration Module	85
Comparator C1 Simplified	90
Comparator C2 Simplified	90
DAC Converter	80
Low Voltage Detect	64
On-Chip Reset Circuit	121
OPA Module	83
PIC16C781	5
PIC16C782	6
PSMC Module in Dual Alternating Output	
PWM Mode	100
PSMC Module in Single Output PSM Mode	102
PSMC Module in Single Output PWM Mode	99
RA0/AN0/OPA+ Pin	27
RA1/AN1/OPA- Pin	28
RA2/AN2/VREF2 Pin	29
RA3/AN3/VREF1 Pin	30
RA4/T0CKI Pin	31
RA5/MCLR/VPP	32
RA6/OSC2/CLKOUT/T1CKI Pin	33
RA7/OSC1/CLKIN Pin	34
RB0/INT/AN4/VR Pin	37
RB1/AN5/VDAC Pin	38
RB2/AN6 Pin	39
RB3/AN7/OPA Pin	40
RB4 Pin	41
RB5 Pin	42
RB6/C1/PSMC1A Pin	43
RB7/C2/PSMC1B/T1G Pin	44
RC Oscillator Mode	120
Timer0	51
Timer0/WDT Prescaler	53
TIMER1	58
Watchdog Timer (WDT)	130
Boost LC Switching Power Supply	107

BOR

DC Characteristics	164
BOR. See Brown-out Reset	
Brown-out Reset (BOR)	117, 125, 126
Buck Configuration LC Power Supply	112
Buck LC Switching Power Supply	110

C

C1 Input to PSMC w/DAC as Reference	95
C2 Configuration Program	95
CALCON Register	84
Calculating the Minimum Required	
Acquisition Time	73
Clock Noise	76
Code Examples	
Doing an ADC Conversion	74
Code Protection	117
Comparator C1 Control Register	89
Comparator C2 Configuration With Output	
Synchronized to T1CKI	95
Comparator C2 Control Registers	92
Comparator C2 Synchronized to T1CKI	95
Comparator Configuration	95
Comparator Module	89
Associated Registers	98
Control Registers	89
Effects of a RESET	98
Output State Versus Input Conditions	89
Configuration as OPAMP or Comparator	86
Configuration Bits	117
Configuration of Comparator C1 with DAC	96
Configuring the ADC Module	72
Configuring the Reference Voltages	72
Control Register CM2CON0	92
Control Register T1CON	56

D

DAC Configuration	81
DAC Module	
Accuracy/Error	81
Associated Registers/Bits	81
DAC Transfer Function	81
Differential Non-Linearity Error	81
Effects of a RESET	81
Gain Error	81
Integral Non-Linearity Error	81
Monotonicity	81
Offset Error	81
Data Memory	
Bank Select (RP Bits)	17
Data Memory Organization	11
Register File Map	12
DC Characteristics	
PIC16C781/782, PIC16LC781/782	
(Industrial)	149
Development Support	141
Device Overview	5
Digital-to-Analog Converter (DAC) Module	79
Control Registers	79
Direct Addressing	24

PIC16C781/782

E			
EC Mode	119	SUBLW	139
Effect of RESET on Core Registers	24	SUBWF	139
Summary	24	SWAPF	139
Effects of RESET	52	XORLW	139
Electrical Characteristics	147	XORWF	140
Errata	3	INT Interrupt (RB0/INT/AN4/VR). See Interrupt Sources	
Examples		INTCON Register	
DAC Configuration	81	GIE Bit	19
OPAMP Calibration Mode Configuration	86	INTE Bit	19
Peripheral Configuration	113	INTF Bit	19
PSMC Configuration	109	PEIE Bit	19
PSMC Configuration Example for a Buck		RBIE Bit	19
Mode Switching Power Supply	111	RBIF Bit	19
Window Comparator	97	TOIE Bit	19
External Power-on Reset Circuit	122	TOIF Bit	19
F		Interrupt Sources	117, 128
Firmware Instructions	133	RB0/INT Pin, External	128
FSR Register	15	TMR0 Overflow	52, 129
G		Interrupts, Context Saving During	129
General Purpose Register File	13	Interrupts, Enable Bits	
I		Global Interrupt Enable (GIE Bit)	128
I/O Port Analog/Digital Mode	25	Interrupt-on-Change (RB7:RB0) Enable	
I/O Ports	25	(RBIE Bit)	129
ICEPIC In-Circuit Emulator	142	Interrupts, Flag Bits	
ID Locations	117	Interrupt-on-Change (RB7:RB4) Flag	
In-Circuit Serial Programming (ICSP)	117	(RBIF Bit)	129
Indirect Addressing	24	TMR0 Overflow Flag (TOIF Bit)	129
Initialization Condition for All Registers	126	K	
Initializing Timer0	51	KEELOQ Evaluation and Programming Tools	144
Instruction Format	133	L	
Instruction Set	133	Low Power Window Comparator with Interrupt	96
ADDLW	135	Low Voltage Detect	
ADDWF	135	Associated Register Summary	67
ANDLW	135	Low Voltage Detect Registers	67
ANDWF	135	Low Voltage Detect Waveforms	65
BCF	135	LP, XT and HS Modes	119
BSF	135	M	
BTFSC	136	Master Clear (MCLR)	
BTFSS	135	MCLR Reset, Normal Operation	125, 126
CALL	136	MCLR Reset, SLEEP	121, 125, 126
CLRF	136	Memory Organization	11
CLRWF	136	MPLAB C17 and MPLAB C18 C Compilers	141
CLRWDAT	136	MPLAB ICD In-Circuit Debugger	143
COMF	136	MPLAB ICE High Performance Universal	
DECF	136	In-Circuit Emulator with MPLAB IDE	142
DECFSZ	137	MPLAB Integrated Development	
GOTO	137	Environment Software	141
INCF	137	MPLINK Object Linker/MPLIB Object Librarian	142
INCFSZ	137	O	
IORLW	137	OPA Auto Calibration	83
IORWF	137	OPA Module	
MOVF	138	Associated Registers	87
MOVLW	138	Common Mode Voltage Range	86
MOVWF	138	Effects of a RESET	86
NOP	138	Gain Bandwidth Product	86
RETFIE	138	Input Offset Voltage	86
RETLW	138	Leakage Current	86
RETURN	138	Open Loop Gain	86
RLF	138	OPA Offset Voltage	84
RRF	139	OPCODE Field Descriptions	133
SLEEP	139	Operational Amplifier (OPA) Module	83

OPTION_REG Register		PIR1 Register	
INTEDG Bit	18	ADIF Bit	21
PS Bits	18, 52	C1IF Bit	21
PSA Bit	18, 52	C2IF Bit	21
RBP \bar{U} Bit	18	LVDIF Bit	21
T0CS Bit	18, 51	TMR1IF Bit	21
T0SE Bit	18, 51	PLVD	
Oscillator Configuration	119	DC Characteristics	163
CLKOUT	120	PLVD Example	67
Dual Speed Operation for INTRC Modes	120	PMCON1	47
EC	119, 123	PMDATH and PMDATL Registers	47
ER	119	PMR	
HS	119, 123	Associated Register Summary	50
INTRC	119, 123	Pointer, FSR	23
LP	119, 123	POR. See Power-on Reset	
XT	119, 123	PORTA	
Oscillator, WDT	129	Associated Register Summary	34
Oscillators		Initialization	26
RC, Block Diagram	120	PORTA and the TRISA Register	26
OTP Program Memory Read	49	PORTB	
P		Associated Register Summary	45
Package Marking Information	169	Initialization	35
Paging, Program Memory	23	Pull-up Enable (RBP \bar{U} Bit)	18
PCON Register	123	RB0/INT Edge Select (INTEDG Bit)	18
BOR Bit	22	RB0/INT Pin, External	128
OSCF Bit	22	RB7:RB0 Interrupt-on-Change Enable	
POR Bit	22	(RBIE Bit)	129
WDTON Bit	22	RB7:RB4 Interrupt-on-Change	129
PICDEM 1 Low Cost PICmicro		RB7:RB4 Interrupt-on-Change Flag	
Demonstration Board	143	(RBIF Bit)	129
PICDEM 17 Demonstration Board	144	PORTB and the TRISB Register	35
PICDEM 2 Low Cost PIC16CXX		PORTB Interrupt-on-Change	35
Demonstration Board	143	PORTB Weak Pull-up	35
PICDEM 3 Low Cost PIC16CXXX		Postscaler, WDT	52
Demonstration Board	144	Assignment (PSA Bit)	18, 52
PICSTART Plus Entry Level		Rate Select (PS Bits)	18, 52
Development Programmer	143	Switching Between Timer0 and WDT	52
Pin Functions		Power-down Mode. See SLEEP	
AVDD	9	Power-on Reset (POR)	117, 121, 122, 125, 126
AVSS	9	Oscillator Start-up Timer (OST)	117
RA0/AN0/OPA+	8	Power Control (PCON) Register	123
RA1/AN1/OPA-	8	Power-down (PD Bit)	17
RA2/AN2/VREF2	8	Power-on Reset Circuit, External	122
RA3/AN3/VREF1	8	Power-up Timer (PWRT)	117, 122
RA4/T0CKI	8	Time-out (TO Bit)	17
RA5/MCLR/VPP	8	Time-out Sequence	122
RA6/OSC2/CLKOUT/T1CKI	8	Time-out Sequence on Power-up	125, 127
RA7/OSC1/CLKIN	8	Prescaler, Timer0	52
RB0/INT/AN4/VR	8	Assignment (PSA Bit)	18, 52
RB1/AN5/VDAC	8	Rate Select (PS Bits)	18, 52
RB2/AN6	8	Switching Between Timer0 and WDT	52
RB3/AN7/OPA	8	Prescaler, Timer1	
RB4	8	Select (T1CKPS1:T1CKPS0 Bits)	57
RB5	8	PRO MATE II Universal Device Programmer	143
RB6/C1/PSMC1A	8	Program	47
RB7/C2/PSMC1B/T1G	9	Program Counter	
VDD	9	PCL Register	23
VSS	9	PCLATH Register	23, 129
Pinout Description		Reset Conditions	125
PIC16C781/782	8	Program Memory	
		Paging	23
		Program Memory Map and Stack	
		PIC16C781	11
		PIC16C782	11
		Program Memory Organization	11

PIC16C781/782

Program Memory Read (PMR)	47
Program Memory Read Cycle Execution	50
Programmable Brown-out Reset (PBOR)	121, 122
Programmable Low Voltage Detect Module (PLVD).....	63
Control Register	63
Effects of a RESET	67
Operation	64
Operation During SLEEP	67
Programmable Switch Mode Controller (PSMC).....	99
Programming C1 for PSMC Feedback.....	96
Programming, Device Instructions	133
PSMC	
Associated Registers	115
Configuration.....	107
Control Registers	104
Effects of SLEEP and RESET.....	115
PSMC1A Operation in PSM Mode Using C1 Comparator Only	102
PSMC1A Output Sequence in PSM Mode Using C1 and C2 Comparators	103
PSMC1A Output Sequence in PWM Mode Using C1 and C2 Comparators	101
PSMC1A Output Sequence in PWM Mode Using C1 Comparator Only	100
PSMCCON0 Register	104
PSMCCON1 Register	104
Pulse Skip Modulation (PSM)	102
Pulse Width Modulation (PWM)	99

R

Read with Code Protect Set.....	50
Reading the EPROM Program Memory.....	49
Registers	
ADC Control Register (ADCON1)	71
ADC Control Register 0 (ADCON0)	70
ADC Result Register (ADRES)	71
Analog Select.....	25
Calibration Control Register (CALCON)	85
Comparator C1 Control Register0 (CM1CON0)	91
Comparator C2 Control Register0 (CM2CON0)	93
Comparator C2 Control Register1 (CM2CON1)	94
Digital-to-Analog Converter Control Register0 (DACON).....	79
Digital-to-Analog Converter Register (DAC)	79
INTCON	19
Interrupt-on-Change PORTB	36
OPAMP Control Register (OPACON).....	84
OPTION_REG.....	18
PCON.....	22
PIE1	20
Program memory Address High (PMADRH).....	48
Program Memory Address Low (PMADRL)	48
Program memory Data High (PMDATH)	47
Program Memory Data Low (PMDATL)	48
Program Memory Read Control Register 1 (PMCON1)	47
Programmable Low Voltage Detect Register (LVDCON).....	66
PSMC Control Register0 (PSMCCON0).....	105
PSMC Control Register1 (PSMCCON1).....	106
STATUS	17

Timer1 Control Register (T1CON)	57
Voltage Reference Control Register (REFCON).....	61
Weak Pull-up PORTB	36
Registers Associated with VR.....	61
Registers/Bits Associated with ADC	77
Reset	121
Brown-out Reset (BOR). See Brown-out Reset (BOR)	
Power-on Reset (POR). See Power-on Reset (POR)	
Reset Conditions for PCON Register	125
Reset Conditions for Program Counter.....	125
Reset Conditions for STATUS Register	125
WDT Reset. See Watchdog Timer (WDT)	

S

Setting up the PLVD Module	65
Single or Dual Output	103
SLEEP	117, 121, 131
Slope Compensation	103
Slope Compensation (SC) Switch Operation.....	103
Software Simulator (MPLAB SIM)	142
Special Features of the CPU	117
Special Function Registers	13
ADCON0 Register	13
ADCON1 Register	14
ADRES Register.....	13
ANSEL Register.....	14
CALCON Register	15
CM1CON0 Register.....	15
CM2CON0 Register.....	15
CM2CON1 Register.....	15
DAC Register.....	15
DACON0 Register	15
FSR Register	13, 14, 16
INDF Register	13, 14, 15, 16
INTCON Register.....	13, 14, 15, 16
IOCB Register.....	14
LVDCON Register.....	14
OPACON Register.....	15
OPTION_REG Register.....	14, 16
PCL Register	13, 14, 15, 16
PCLATH Register	13, 14, 15, 16
PCON Register	14
PIE1 Register	14
PIR1 Register	13
PMADRH Register.....	15
PMADRL Register	15
PMCON1 Register.....	16
PMDATH Register	15
PMDATL Register	15
PORTA Register	13
PORTB Register.....	13, 15
PSMCCON0 Register.....	15
PSMCCON1 Register.....	15
REFCON Register	14
STATUS Register.....	13, 14, 15, 16
Summary	13
T1CON Register	13
TMR0 Register.....	13, 15
TMR1H Register.....	13
TMR1L Register.....	13
TRISA Register.....	14
TRISB Register.....	14, 16
WPUB Register.....	14
Stack.....	23
STATUS Register	129

C Bit	17
DC Bit.....	17
IRP Bit.....	17
PD Bit.....	17
RP Bits.....	17
TO Bit.....	17
Zero Bit	17
T	
T1CON Register	
T1CKPS1:T1CKPS0 Bits	57
T1OSCEN Bit.....	57
TMR1CS Bit.....	57
TMR1ON Bit.....	57
TAD vs. Device Operating Frequencies.....	72
Timer0.....	51
Associated Registers	53
Clock Source Edge Select (T0SE Bit).....	51
Clock Source Select (T0CS Bit).....	18, 51
Overflow Flag (T0IF Bit).....	129
Overflow Interrupt	52, 129
Prescaler. See Prescaler, Timer0	
Timer0 Module	51
Timer0 Operation	51
Timer1	
Associated Registers Summary.....	59
Clock Source Select (TMR1CS Bit)	57
Effects of a RESET	59
Module On/Off (TMR1ON Bit).....	57
Oscillator Enable (T1OSCEN Bit)	57
Timer1 Incrementing Edge.....	58
Timer1 Initialization	55
Timer1 Interrupt	59
Timer1 Module Timer/Counter	55
Timer1 Module with Gate Control	55
Timer1 Operation	55
Timer1 Oscillator for the PIC16C781/782	59
Timing Diagrams	
ADC Conversion	165
Brown-out Reset	154
CLKOUT and I/O.....	152
External Clock.....	153
External Clock Timing	152
RESET, Watchdog Timer, Oscillator Start-up Timer and Power-up Timer.....	154
Time-out Sequence on Power-up	125, 127
Timer0.....	156
Timer0 and Timer1 External Clock.....	156
Timer1	156
Wake-up from SLEEP via Interrupt.....	132
TRISA, ANSEL, and Control Precedence.....	26
TRISB, ANSEL, and Control Precedence.....	36
Typical Low Voltage Detect Application	63

V	
Voltage Reference Module	
Effects of a RESET.....	61
Voltage Reference Module (VR).....	61
W	
W Register	129
Wake-up from SLEEP.....	117, 131
Interrupts	125, 126
MCLR Reset.....	126
Timing Diagram	132
WDT Reset	126
Watchdog Timer	
Associated Register Summary	130
Watchdog Timer (WDT).....	117, 129
Enable (WDTE Bit)	129
Postscaler. See Postscaler, WDT	
Programming Considerations	129
RC Oscillator	129
Time-out Period	129
WDT Reset, Normal Operation.....	121, 125, 126
WDT Reset, SLEEP	125, 126
Window Comparator with Interrupt	96
WWW, On-Line Support	3

PIC16C781/782

NOTES:

ON-LINE SUPPORT

Microchip provides on-line support on the Microchip World Wide Web (WWW) site.

The web site is used by Microchip as a means to make files and information easily available to customers. To view the site, the user must have access to the Internet and a web browser, such as Netscape or Microsoft Explorer. Files are also available for FTP download from our FTP site.

Connecting to the Microchip Internet Web Site

The Microchip web site is available by using your favorite Internet browser to attach to:

www.microchip.com

The file transfer site is available by using an FTP service to connect to:

<ftp://ftp.microchip.com>

The web site and file transfer site provide a variety of services. Users may download files for the latest Development Tools, Data Sheets, Application Notes, User's Guides, Articles and Sample Programs. A variety of Microchip specific business information is also available, including listings of Microchip sales offices, distributors and factory representatives. Other data available for consideration is:

- Latest Microchip Press Releases
- Technical Support Section with Frequently Asked Questions
- Design Tips
- Device Errata
- Job Postings
- Microchip Consultant Program Member Listing
- Links to other useful web sites related to Microchip Products
- Conferences for products, Development Systems, technical information and more
- Listing of seminars and events

Systems Information and Upgrade Hot Line

The Systems Information and Upgrade Line provides system users a listing of the latest versions of all of Microchip's development systems software products. Plus, this line provides information on how customers can receive any currently available upgrade kits. The Hot Line Numbers are:

1-800-755-2345 for U.S. and most of Canada, and

1-480-792-7302 for the rest of the world.

013001

PIC16C781/782

READER RESPONSE

It is our intention to provide you with the best documentation possible to ensure successful use of your Microchip product. If you wish to provide your comments on organization, clarity, subject matter, and ways in which our documentation can better serve you, please FAX your comments to the Technical Publications Manager at (480) 792-4150.

Please list the following information, and use this outline to provide us with your comments about this Data Sheet.

To: Technical Publications Manager Total Pages Sent
RE: Reader Response
From: Name _____
Company _____
Address _____
City / State / ZIP / Country _____
Telephone: (_____) _____ - _____ FAX: (_____) _____ - _____

Application (optional):

Would you like a reply? ___Y ___N

Device: **PIC16C781/782** Literature Number: **DS41171A**

Questions:

1. What are the best features of this document?

2. How does this document meet your hardware and software development needs?

3. Do you find the organization of this data sheet easy to follow? If not, why?

4. What additions to the data sheet do you think would enhance the structure and subject?

5. What deletions from the data sheet could be made without affecting the overall usefulness?

6. Is there any incorrect or misleading information (what and where)?

7. How would you improve this document?

8. How would you improve our software, systems, and silicon products?

PIC16C781/782 PRODUCT IDENTIFICATION SYSTEM

To order or obtain information, e.g., on pricing or delivery, refer to the factory or the listed sales office.

<u>PART NO.</u>	X	/XX	XXX
Device	Temperature Range	Package	Pattern
Device	PIC16C781: VDD range 4.0V-5.5V PIC16C781T: VDD range 4.0V-5.5V (Tape and Reel) PIC16LC781: VDD range 2.7V-5.5V PIC16LC781T: VDD range 2.7V-5.5V (Tape and Reel)		
Temperature Range	I	=	-40°C to +85°C
Package	SO	=	SOIC
	SS	=	SSOP
	P	=	PDIP
	JW	=	Windowed CERDIP
Pattern	QTP, SQTP, ROM Code (factory specified) or Special Requirements . Blank for OTP and Windowed devices.		

Examples:

- PIC16C781-I/P Industrial Temp., Plastic DIP package, normal VDD limits
- PIC16LC781-I/SS Industrial Temp., SSOP package, extended VDD limits
- PIC16C781-I/SOT Industrial Temp., SOIC package, Tape and Reel, normal VDD limits

* JW Devices are UV erasable and can be programmed to any device configuration. JW Devices meet the electrical requirement of each oscillator type.

Sales and Support

Data Sheets

Products supported by a preliminary Data Sheet may have an errata sheet describing minor operational differences and recommended workarounds. To determine if an errata sheet exists for a particular device, please contact one of the following:

- Your local Microchip sales office
- The Microchip Corporate Literature Center U.S. FAX: (480) 792-7277
- The Microchip Worldwide Site (www.microchip.com)

Please specify which device, revision of silicon and Data Sheet (include Literature #) you are using.

New Customer Notification System

Register on our web site (www.microchip.com/cn) to receive the most current information on our products.



MICROCHIP

WORLDWIDE SALES AND SERVICE

AMERICAS

Corporate Office

2355 West Chandler Blvd.
Chandler, AZ 85224-6199
Tel: 480-792-7200 Fax: 480-792-7277
Technical Support: 480-792-7627
Web Address: <http://www.microchip.com>

Rocky Mountain

2355 West Chandler Blvd.
Chandler, AZ 85224-6199
Tel: 480-792-7966 Fax: 480-792-7456

Atlanta

500 Sugar Mill Road, Suite 200B
Atlanta, GA 30350
Tel: 770-640-0034 Fax: 770-640-0307

Austin - Analog

8303 MoPac Expressway North
Suite A-201
Austin, TX 78759
Tel: 512-345-2030 Fax: 512-345-6085

Boston

2 Lan Drive, Suite 120
Westford, MA 01886
Tel: 978-692-3848 Fax: 978-692-3821

Boston - Analog

Unit A-8-1 Millbrook Tarry Condominium
97 Lowell Road
Concord, MA 01742
Tel: 978-371-6400 Fax: 978-371-0050

Chicago

333 Pierce Road, Suite 180
Itasca, IL 60143
Tel: 630-285-0071 Fax: 630-285-0075

Dallas

4570 Westgrove Drive, Suite 160
Addison, TX 75001
Tel: 972-818-7423 Fax: 972-818-2924

Dayton

Two Prestige Place, Suite 130
Miamisburg, OH 45342
Tel: 937-291-1654 Fax: 937-291-9175

Detroit

Tri-Atria Office Building
32255 Northwestern Highway, Suite 190
Farmington Hills, MI 48334
Tel: 248-538-2250 Fax: 248-538-2260

Los Angeles

18201 Von Karman, Suite 1090
Irvine, CA 92612
Tel: 949-263-1888 Fax: 949-263-1338

New York

150 Motor Parkway, Suite 202
Hauppauge, NY 11788
Tel: 631-273-5305 Fax: 631-273-5335

San Jose

Microchip Technology Inc.
2107 North First Street, Suite 590
San Jose, CA 95131
Tel: 408-436-7950 Fax: 408-436-7955

Toronto

6285 Northam Drive, Suite 108
Mississauga, Ontario L4V 1X5, Canada
Tel: 905-673-0699 Fax: 905-673-6509

ASIA/PACIFIC

Australia

Microchip Technology Australia Pty Ltd
Suite 22, 41 Rawson Street
Epping 2121, NSW
Australia
Tel: 61-2-9868-6733 Fax: 61-2-9868-6755

China - Beijing

Microchip Technology Consulting (Shanghai)
Co., Ltd., Beijing Liaison Office
Unit 915
New China Hong Kong Manhattan Bldg.
No. 6 Chaoyangmen Beidajie
Beijing, 100027, No. China
Tel: 86-10-85282100 Fax: 86-10-85282104

China - Chengdu

Microchip Technology Consulting (Shanghai)
Co., Ltd., Chengdu Liaison Office
Rm. 2401, Ming Xing Financial Tower
No. 88 TIDU Street
Chengdu 610016, China
Tel: 86-28-6766200 Fax: 86-28-6766599

China - Fuzhou

Microchip Technology Consulting (Shanghai)
Co., Ltd., Fuzhou Liaison Office
Rm. 531, North Building
Fujian Foreign Trade Center Hotel
73 Wusi Road
Fuzhou 350001, China
Tel: 86-591-7557563 Fax: 86-591-7557572

China - Shanghai

Microchip Technology Consulting (Shanghai)
Co., Ltd.
Room 701, Bldg. B
Far East International Plaza
No. 317 Xian Xia Road
Shanghai, 200051
Tel: 86-21-6275-5700 Fax: 86-21-6275-5060

China - Shenzhen

Microchip Technology Consulting (Shanghai)
Co., Ltd., Shenzhen Liaison Office
Rm. 1315, 13/F, Shenzhen Kerry Centre,
Renminnan Lu
Shenzhen 518001, China
Tel: 86-755-2350361 Fax: 86-755-2366086

Hong Kong

Microchip Technology Hongkong Ltd.
Unit 901, Tower 2, Metroplaza
223 Hing Fong Road
Kwai Fong, N.T., Hong Kong
Tel: 852-2401-1200 Fax: 852-2401-3431

India

Microchip Technology Inc.
India Liaison Office
Divyasree Chambers
1 Floor, Wing A (A3/A4)
No. 11, O'Shaughnessey Road
Bangalore, 560 025, India
Tel: 91-80-2290061 Fax: 91-80-2290062

Japan

Microchip Technology Japan K.K.
Benex S-1 6F
3-18-20, Shinyokohama
Kohoku-Ku, Yokohama-shi
Kanagawa, 222-0033, Japan
Tel: 81-45-471-6166 Fax: 81-45-471-6122

Korea

Microchip Technology Korea
168-1, Youngbo Bldg. 3 Floor
Samsung-Dong, Kangnam-Ku
Seoul, Korea 135-882
Tel: 82-2-554-7200 Fax: 82-2-558-5934

Singapore

Microchip Technology Singapore Pte Ltd.
200 Middle Road
#07-02 Prime Centre
Singapore, 188980
Tel: 65-334-8870 Fax: 65-334-8850

Taiwan

Microchip Technology Taiwan
11F-3, No. 207
Tung Hua North Road
Taipei, 105, Taiwan
Tel: 886-2-2717-7175 Fax: 886-2-2545-0139

EUROPE

Denmark

Microchip Technology Denmark ApS
Regus Business Centre
Lautrup høj 1-3
Ballerup DK-2750 Denmark
Tel: 45 4420 9895 Fax: 45 4420 9910

France

Arizona Microchip Technology SARL
Parc d'Activite du Moulin de Massy
43 Rue du Saule Trapu
Batiment A - 1er Etage
91300 Massy, France
Tel: 33-1-69-53-63-20 Fax: 33-1-69-30-90-79

Germany

Arizona Microchip Technology GmbH
Gustav-Heinemann Ring 125
D-81739 Munich, Germany
Tel: 49-89-627-144 0 Fax: 49-89-627-144-44

Germany - Analog

Lochhamer Strasse 13
D-82152 Martinsried, Germany
Tel: 49-89-895650-0 Fax: 49-89-895650-22

Italy

Arizona Microchip Technology SRL
Centro Direzionale Colleoni
Palazzo Taurus 1 V. Le Colleoni 1
20041 Agrate Brianza
Milan, Italy
Tel: 39-039-65791-1 Fax: 39-039-6899883

United Kingdom

Arizona Microchip Technology Ltd.
505 Eskdale Road
Winnersh Triangle
Wokingham
Berkshire, England RG41 5TU
Tel: 44 118 921 5869 Fax: 44-118 921-5820

06/01/01