

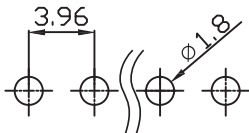
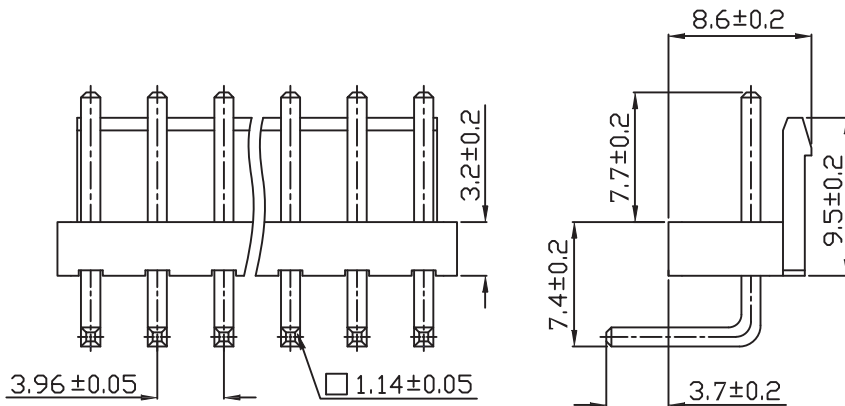
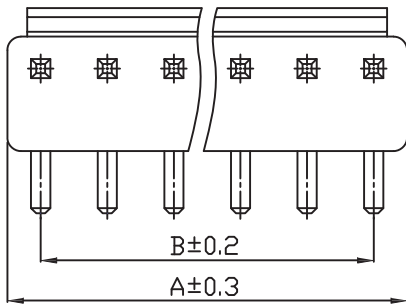
PIN HEADERS

Pin header

Technical data:

Insulating material:	Nylon 66, UL 94V-0
Contact material:	Brass
Plating:	Tin
Rated current:	5 Amp.
Rated voltage:	250 V _{RMS} /V _{DC}
Withstand voltage:	1500 V _{AC} for one minute
Operating temperature:	-25°C to +85°C

pitch	rows	row distance	orientation	termination
3,96	1		right angled	through hole



Pincount	Dimensions	
	A	B
002	7.92	3.96
003	11.88	7.92
004	15.84	11.88
005	19.80	15.84
006	23.76	19.80
007	27.72	23.76
008	31.68	27.72
009	35.64	31.68
010	39.60	35.64
011	43.56	39.60
012	47.52	43.56
013	51.48	47.52
014	55.44	51.48
015	59.40	55.44

Pincount: see table

Plating: T = Sn

Order code:

580-2-XXX-0-T-BS0