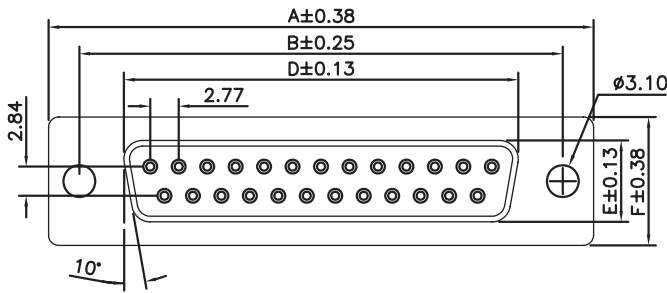


D-SUB

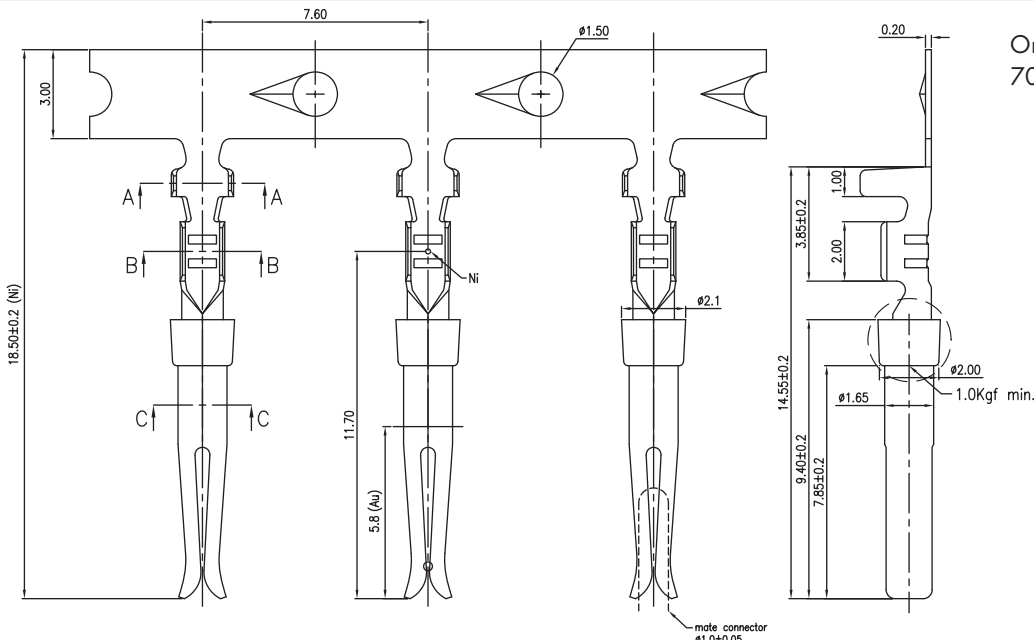
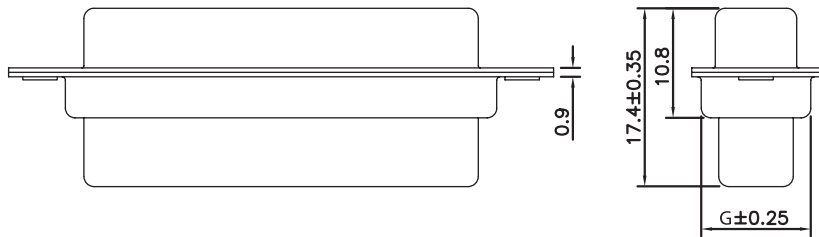
Technical data:

Insulating material: PBT, UL 94V-0
 Contact material: Copper Alloy
 Plating shell: Tin
 Rated current: 3 Amp.
 Rated voltage: 250 V_{RMS}/V_{DC}
 Withstand voltage: 1000 V_{RMS} for one minute
 Operating temperature: -40°C to +85°C

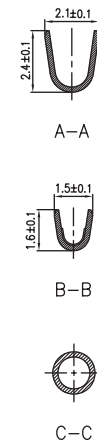
pitch	rows	row distance	orientation	termination
	2		straight	crimp



Pos	A	B	D	E	F	G
9	30.81	24.99	16.33	7.90	12.50	10.70
15	39.14	33.32	24.66	7.90	12.50	10.70
25	53.04	47.04	38.38	7.90	12.50	10.70
37	69.32	63.50	54.84	7.90	12.50	10.70
50	66.93	61.11	52.43	10.74	15.37	13.20



Order code for contact:
709-2-SX-XL



- Pincount: see table
- Gender: F = Female
- Mounting option: A0 = Non accessories
- Colour: 0 = Black
- Plating shell: T = Sn

Order code: **705-1-XXXF-A00TX-KS0**