

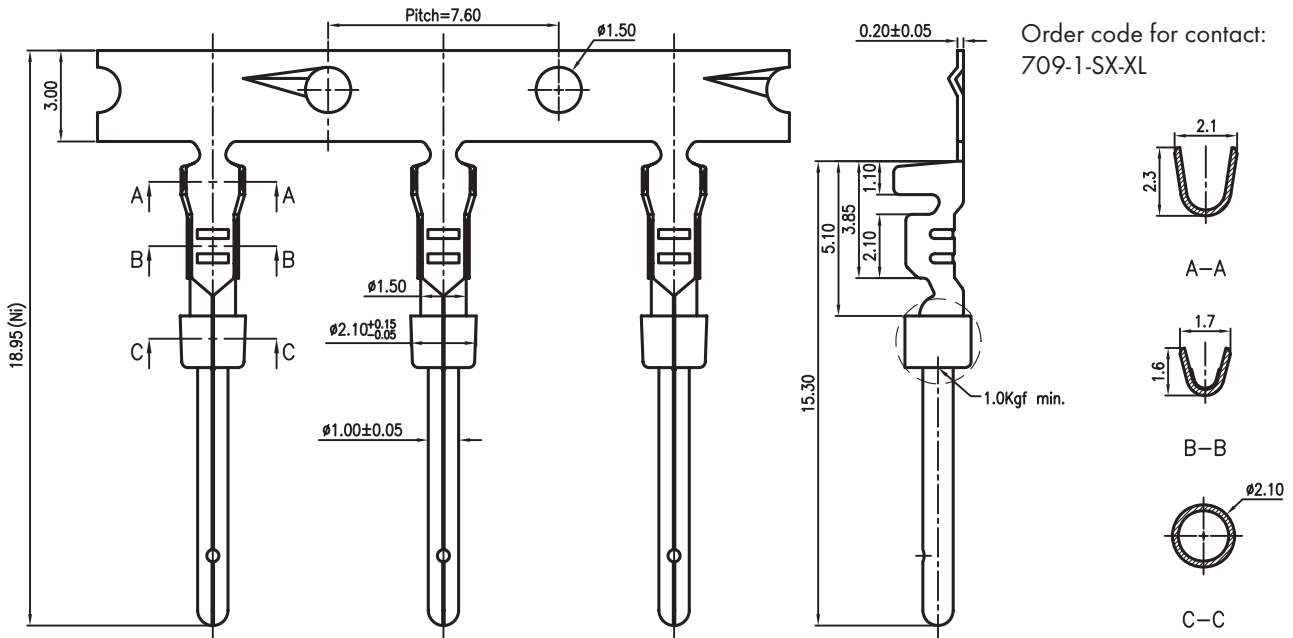
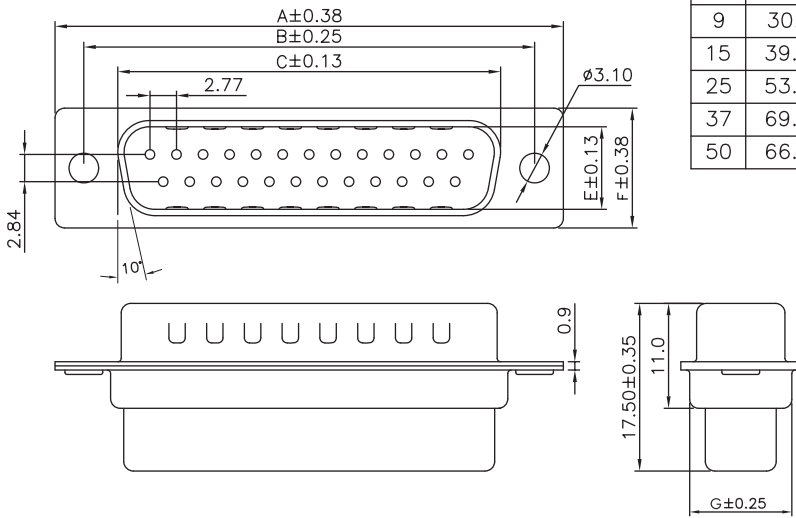
D-SUB

Technical data:

Insulating material: PBT, UL 94V-0
 Contact material: Copper Alloy
 Plating shell: Tin
 Rated current: 3 Amp.
 Rated voltage: 250 V_{RMS}/V_{DC}
 Withstand voltage: 1000 V_{RMS} for one minute
 Operating temperature: -40°C to +85°C

pitch	rows	row distance	orientation	termination
	2		straight	crimp

Pos	A	B	C	E	F	G
9	30.81	24.99	16.92	8.38	12.50	10.70
15	39.14	33.32	25.25	8.38	12.50	10.70
25	53.04	47.04	38.96	8.38	12.50	10.70
37	69.32	63.50	55.42	8.38	12.50	10.70
50	66.93	61.11	52.81	11.07	15.37	13.20



- Pincount: see table
- Gender: M = Male
- Mounting option: A0 = Non accessories
- Colour: 0 = Black
- Plating shell: T = Sn

Order code: **705-1-XXXM-A00TX-KS0**