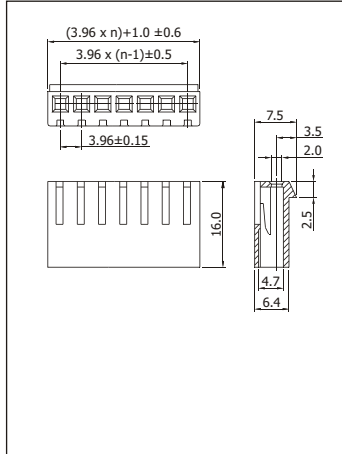
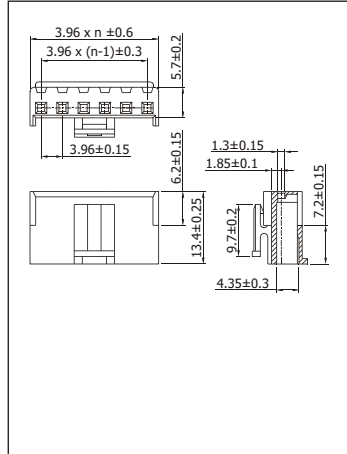




technical data

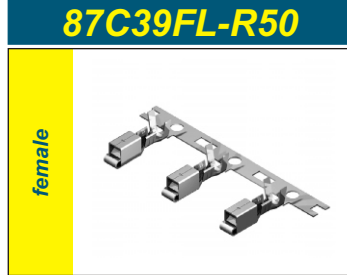
housing

insulator : nylon 66
 flammability : see drawing



available pole no.: 02 to 15
 flammability: UL 94V-0

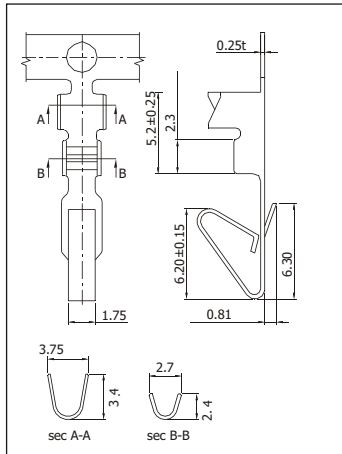
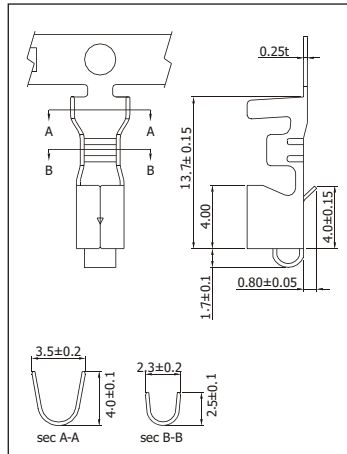
available pole no.: 02 to 14
 flammability: UL 94V-2



technical data

terminal

AWG : see drawing
 contact material : brass
 packing : reel



packing unit: 4,000 pcs
 AWG: #18 - #22
 mates with: 87H391X1F

packing unit: 6,000 pcs
 AWG: #18 - #24
 mates with: 87H391X1E

electrical data

dielectric withstanding : 1500V AC / 1 min.
 current rating : 7A max
 insulation resistance : 1000 Meg Ohm min
 contact resistance : 20 milli Ohm max
 operating temperature : -25°C to +85°C

plating

50= tin

order code

housing -	06 -	L	
terminal -		R	50
series-no.	poles	packing	plating

possible packing

L= loose
 R= reel

other dimensions / materials are available, please contact us

Shown photos may differ to final product. Currently valid drawings are only on www.g5n.cn. In case of any doubt, please contact G5N.