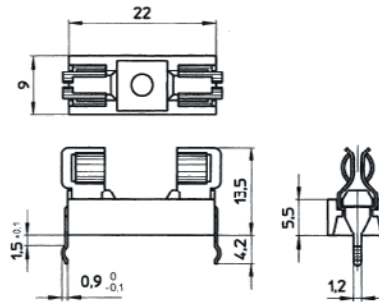


Open Fuse Holders

Open fuse holder \varnothing 5 x 20 mm



FEATURES:

1.3 mm PCB hole size

UL94-V0 cover

Standard according to IES 127-6 & UL512

1.6 W Operating power

SPECIFICATION:

For fuses	\varnothing 5 x 20 mm
Assembly type	PCB assembly
Termination type	Soldering 2 Pins
Rated voltage	250 VAC/DC
Nominal current	6.3 A
Material	Nickel-plated brass
Dimensions	22 x 13.5 x 9

PRODUCT RANGE:

Art. no.	Design
RND 170-00001	Kinked pin