

Isolierkörpermaterial
Nylon, UL94V-0

Kontaktmaterial
Phosphorbronze

Kontaktoberfläche
Ni, Au / Sn

Kontaktwiderstand
40mΩ max

Isolationswiderstand
1000MΩ min

Strombelastbarkeit
1.5A

Betriebstemperatur
-40°C - +85°C

Betriebsspannung
125V AC

Prüfspannung
1000V AC

Verpackung
Blisterverpackung

Insulator material
Nylon, UL94V-0

Contact material
Phosphor bronze

Plating
Ni, Au / Sn

Contact resistance
40mΩ max

Insulation resistance
1000MΩ min

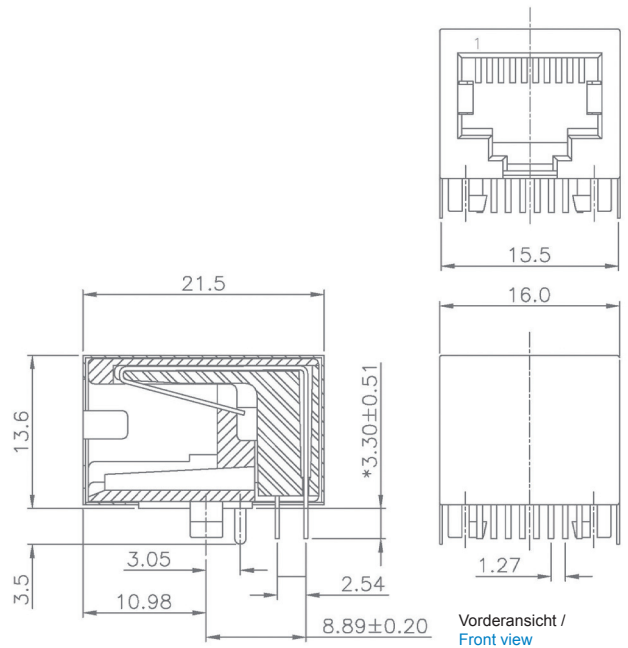
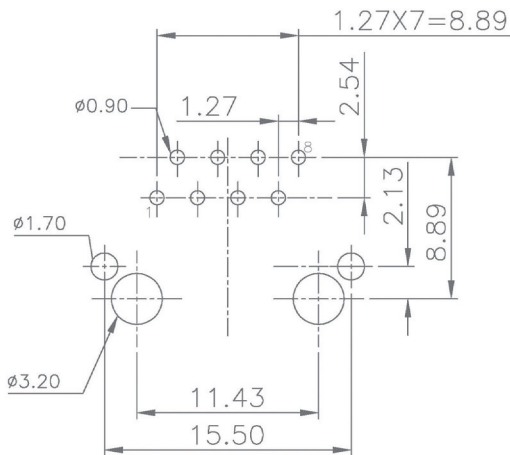
Current rating
1.5A

Operating temperature
-40°C - +85°C

Operating voltage
125V DC

Test voltage
1000V AC

Packing
Tray packing



Bestellcode / Ordercode

Polzahl

No. of contacts

2 - 8 polig (RJ45)

2 - 8 contacts (RJ45)

A - 2004 2 - LP / FS