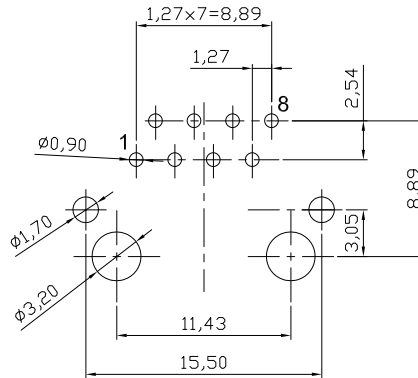


ⓐ **DETAIL "C"**
SCALE 2:1



PC Board Layout
Component Side Shown

NOTES:

Mechanical:

1. Housing material : High Temp. Polyester UL94V-0 , Color: Black
2. Contact material: Phosphor Bronze t=0.35mm
- ⓐ 3. Contact plating: Contact Area---6u" Gold plating
Tails---100u"~200u" Tin over 30u"~80u" Nickel
- ⓑ 4. Shell material: Copper Alloy
5. Shell plating: Nickel plated
6. Operating Life: 750 Cycles min.
7. PCB Retention Pre-solder: 1 LB min.
8. PCB Retention Post-solder: 10 LBS min.

Electrical:

1. Voltage Rating: 125VAC.
2. Current Rating: 1.5AMP.
3. Contact Resistance: 45mΩ max.
4. Insulation Resistance: 1000MΩ min. @ 500 VDC
5. Dielectric Strength: 1000 VAC 60Hz, 1 min.

Environmental:

1. Storage: -40°C To +85°C
2. Operation: -40°C~+85°C
3. Wave Soldering Temperature: 255°C~265°C 5~10S

ⓑ Packing: 70pcs/Tray,1680pcs/Carton

RoHS compliant
Unit:mm



File No.: E345352

Scale	Free					Date	Name	Customer-No.
TOLERANCE						Drawn	07.11.2007	N.Schulz
X.X	±0.20							
X.XX	±0.15	ⓑ	Update	27.05.2013	Amy	Approved	27.05.2013	Amy
X.XXX	±0.10	ⓐ	Modify notes Add dimensions	02.07.2009	Dean			
DIM	TOL	ⓑ	Update	05.12.2007	N.Schulz			
		ⓐ	Drawn	07.11.2007	N.Schulz			
Angle	±5°	Id.	Modification	Date	Name			

ASSMANN WSW-No.
A-20042-LP/FS

Drawing-No.
ASS 0574 CO rev04

Replace SHEET

