

1

2

3

4

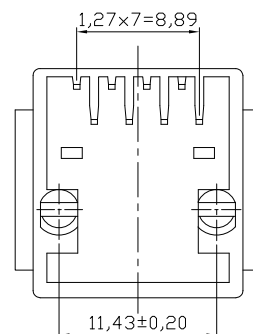
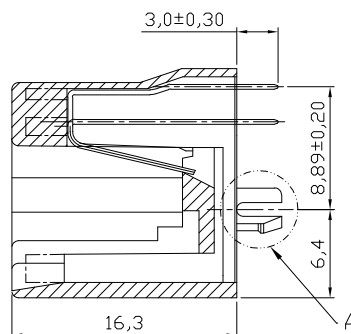
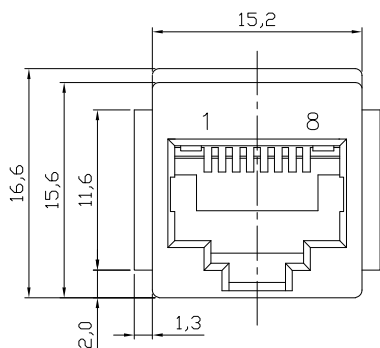
5

6

7

A

A



NOTES:

Mechanical:

1. Housing material : PBT UL94V-0 ,
Color: Black
2. Contact material: Phosphor Bronze t=0.35mm
- ③ 3. Contact plating: Contact area---6u" Gold plating
Tails---Tin plated all over 50u" Nickel
4. Operating Life: 750 Cycles min.
5. PCB Retention Pre-solder: 1 LB min.
6. PCB Retention Post-solder: 10 LBS min.

Electrical:

1. Voltage Rating: 125VAC.
2. Current Rating: 1.5AMP.
3. Contact Resistance: 30mΩ max.
4. Insulation Resistance: 1000MΩ min. @ 500 VDC
5. Dielectric Strength: 1000 VAC 60Hz, 1 min.

Environmental:

1. Storage: -40°C To +85°C
2. Operation: -40°C~+85°C
- ③ 3. Wave Soldering Temp: 200~220°C(5~10S)
- ③ Packing: 100pcs/Tray, 3200pcs/Carton

B

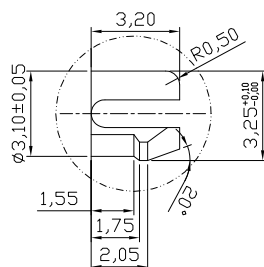
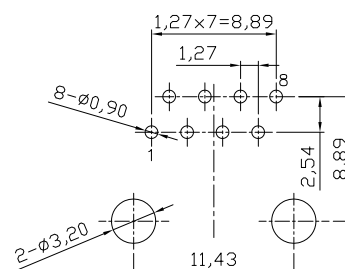
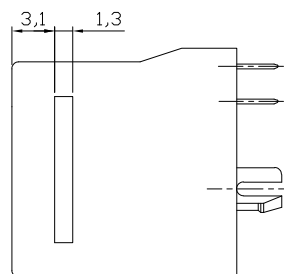
B

C

C

D

D

Detail A
2 : 1PC Board Layout
Component Side Shown

E

E

Frequency	Near-End Cross Talk dB, MIN.	Return Loss dB, MIN.
1.0 MHZ	65.0	23.0
4.0 MHZ	65.0	23.0
8.0 MHZ	62.0	23.0
10.0 MHZ	60.0	23.0
16.0 MHZ	56.0	23.0
20.0 MHZ	54.0	23.0
25.0 MHZ	52.0	14.0
31.25 MHZ	50.0	14.0
62.5 MHZ	44.0	14.0
100.0 MHZ	40.0	14.0

RoHS compliant
Unit:mm

G

G

H

H

Scale	Free					Date	Name	Customer-No.
TOLERANCE						Drawn	27.05.2013	Amy
X.X	±0.20					Approved	27.05.2013	Amy
X.XX	±0.15							
X.XXX	±0.10	③	Update	27.05.2013	Amy			
DIM	TOL	②	Change material to PBT Change housing color to Black	22.06.2009	Dean			
		①	Drawn	13.10.2008	N.Schulz			
Angle	±5°	Id.	Modification	Date	Name			

Customer-No.
Date
Name
Customer-No.
ASSMANN WSW-No.
A-20142

Drawing-No.
ASS 0703A CO rev03
Replace
SHEET

1

2

3

4

5

6

7