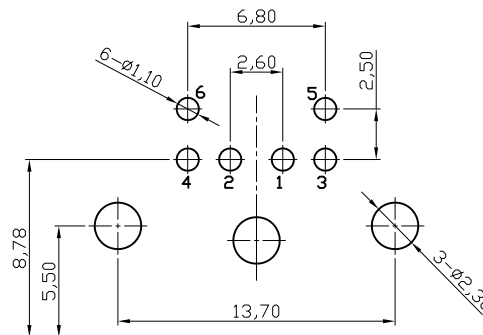
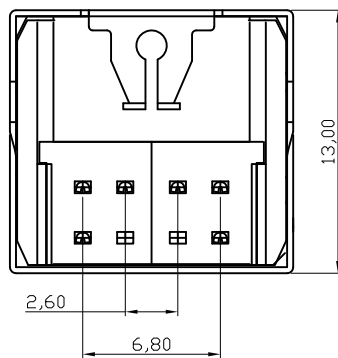


- 1.Material:  
 Contacts :Brass  
 Insulator:PBT+30%G.F UL94V-0  
 Shell : Brass
- 2.Mechanical:  
 Mating Force:45N max.  
 Withdrawal Force:7N min.  
 Durability:500 cycles min.
- 3.Electrical:  
 Current-max[amps] 1.0A  
 Voltage-max[volts] 30V  
 Withstanding Voltage 750V AC  
 Contact Resistance [ohms] 30 milliohms max  
 Insulation Resistance [ohms] 1000 Megohms min
- 4.Plating:  
 Contacts: Gold Flash Selective over Nickel  
 Shell:Nickel
- 5.Environmental  
 Temperature Range -55°C~+85°C



RECOMMENDED P.C.B. PATTERN LAYOUT  
 TOP VIEW (TOLERANCE: ±0,05)

ASSMANN WSW P/N	HOUSING COLOR
A-DIO-FS06/GREEN	GREEN
A-DIO-FS06/PURPLE	PURPLE

**RoHS compliant**

Scale	1:1	Date	15.07.2009	Name	Rale														
TOLERANCE		Drawn	15.07.2009	Rale															
X.X	±0.38	Approved	25.11.2010	Gerber															
X.XX	±0.25																		
X.XXX	±0.15																		
DIM	TOL	<table border="1"> <tr> <td>②</td> <td>Change the manufacture plant</td> <td>25.11.2010</td> <td>Alex</td> </tr> <tr> <td>①</td> <td>Drawn</td> <td>15.07.2009</td> <td>Rale</td> </tr> <tr> <td>Angle</td> <td>TOL</td> <td>Id.</td> <td>Modification</td> <td>Date</td> <td>Name</td> </tr> </table>				②	Change the manufacture plant	25.11.2010	Alex	①	Drawn	15.07.2009	Rale	Angle	TOL	Id.	Modification	Date	Name
②	Change the manufacture plant					25.11.2010	Alex												
①	Drawn					15.07.2009	Rale												
Angle	TOL	Id.	Modification	Date	Name														
X.°	±1°																		
X.X°	±X°																		



Customer-No.	
ASSMANN WSW-No. A-DIO-FS06/GREEN A-DIO-FS06/PURPLE	
Drawing-No.	ASS 3567 CO
Replace	rev02
Sheet	

1

2

3

4

5

6

7