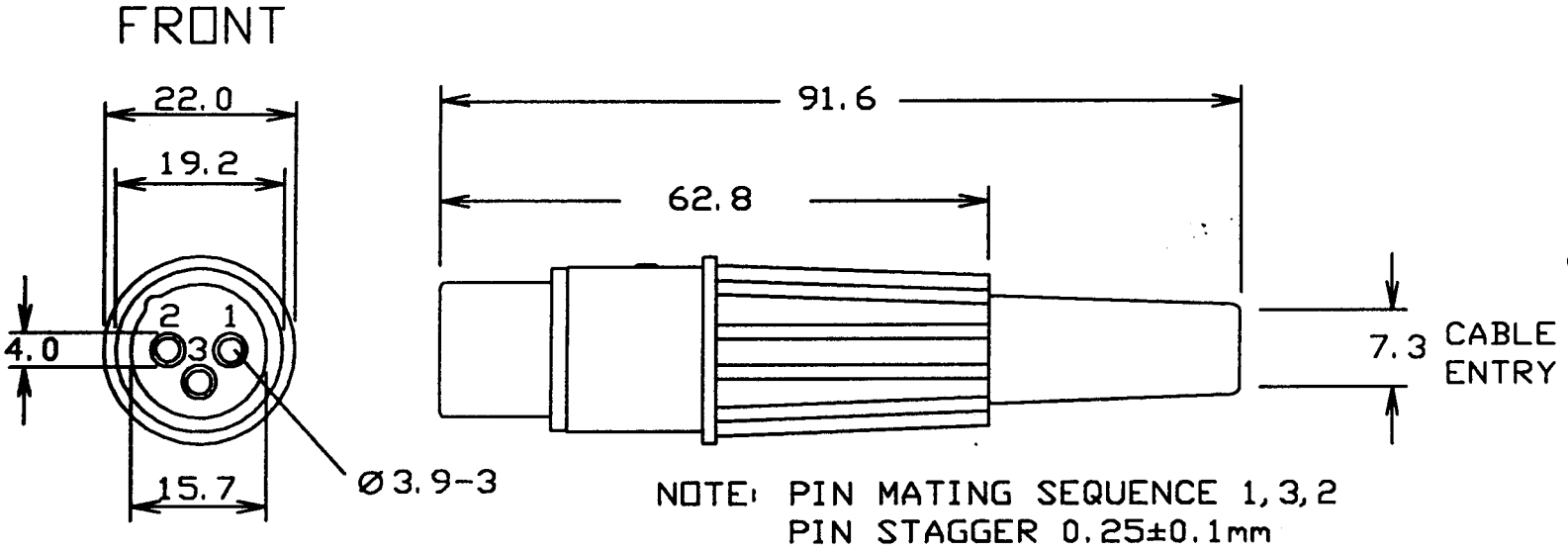
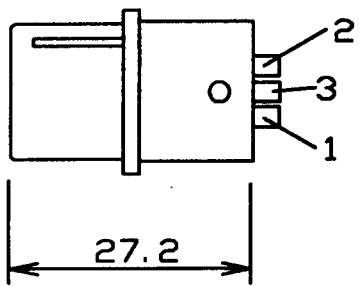


ISS.	AMEND	DATE
1.	REDRAWN	4/10/90
2.	RS ADDED	1/2/91
3.	NOTE ADDED	24/5/93
4.	PIN SEQ. CORRECT	18/12/95



VARIANT
CP 30030 - APF/RS. RS# 486-280.
(MARKED WITH RS LOGO)



TOLERANCE

NO DEC. PLACE ±

1 DEC PLACE ± 0.15

2 DEC PLACE ±

DIA OF HOLES ±

ANGLES ±

UNLESS OTHERWISE STATED

WHERE USED F.R.

SCALE N.T.S.

DIMENSIONS IN MILLIMETRES UNLESS OTHERWISE STATED. WORK TO DIMENSIONS. DO NOT SCALE DRAWING. 3rd ANGLE PROJECTION. REMOVE BURRS.

Cliff Electronic Components, Inc. 876 East Second Street, Benicia, CA 94510 USA Tel: (707) 746 8090 Fax: (707) 746 8092	MATERIAL GRILLON A28GM / BRASS		TITLE XLR PLUG APF	
	FINISH AS MOULDED / Ag PLATED		DRWG. No. CP 3003	
	DRAWN C.A.M.J.	APPD. R.W.T.	FORM: A4DRWGH	