

Display Elektronik GmbH

DATA SHEET

STANDARD OLED/PLED

DEP 128096A - W



Product Specification

Version : 0

17.09.2008

GENERAL SPECIFICATION

MODULE NO. :

DEP 128096A - W

CUSTOMER P/N

VERSION NO.	CHANGE DESCRIPTION	DATE
0	ORIGINAL VERSION	17.09.2008

PREPARED BY: MHO

DATE: 17.09.2008

APPROVED BY: MH

DATE: 17.09.2008

CONTENTS

1. GENERAL FEATURES-----	2
2. MECHANICAL DATE-----	2
3. DIMENSIONAL DRAWING-----	3
4. PIN ASSIGNMENT-----	4
5. ELECTRICAL CHARACTERISTICS-----	4

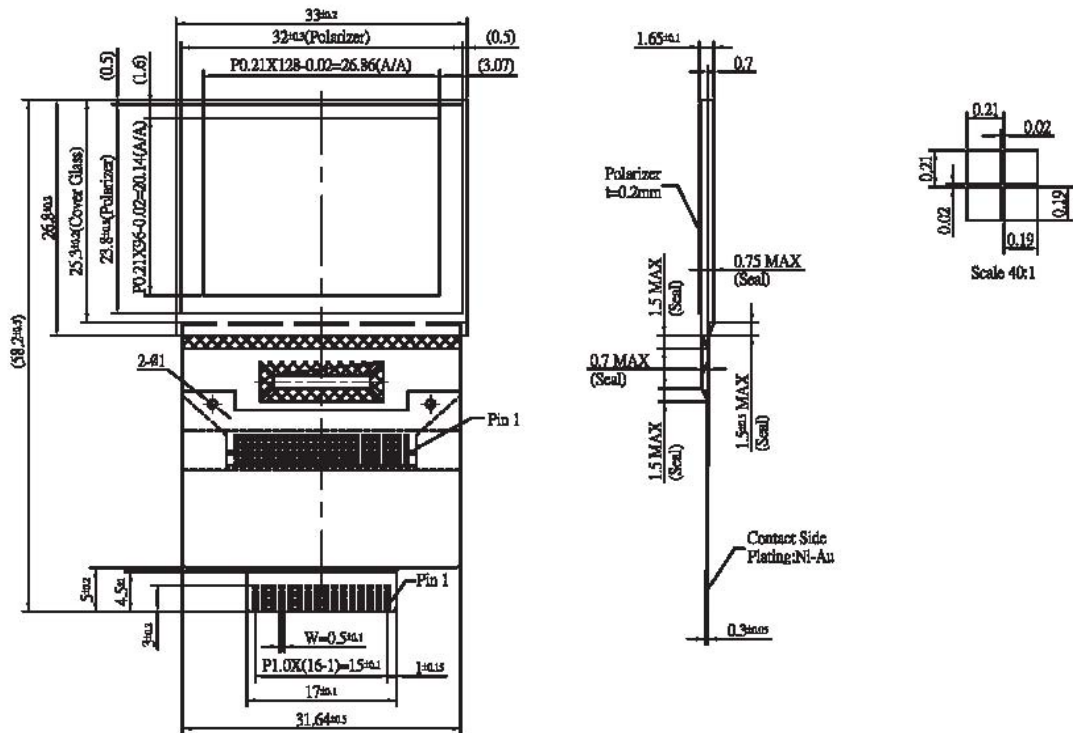
1. GENERAL FEATURES

- Technology: OLED Display
- Resolution: 128 x 96 Dots
- Controller: SSD1329 (Solomon Systech)
- Vdd: 3,3Volt (typ.)
- Duty: 1/96
- Colour: White
- Estimated Lifetime: 16.000 hours (80cd/m²)

2. MECHANICAL DATA

- Outline Dimension: 33.00 x 26.80 mm
- Active-Area: 26.86 x 20.14 mm
- Viewing-Area: 32.00 x 23.80 mm
- Dot-Size: 0.19 x 0.19 mm
- Dot-Gap: 0.02 mm

3. DIMENSIONAL DRAWING



4. PIN ASSIGNMENT

PIN	SYMBOL	FUNCTION
1	Vss	GND
2	Vdd	+3.3Volt (Power Supply)
3	CS	Chip Select
4	/RES	Reset Signal
5	D/C	H: Data L:Command
6	WR	Write Signal
7	RD	Read Signal
8	DB0	Data-Bus
9	DB1	Data-Bus
10	DB2	Data-Bus
11	DB3	Data-Bus
12	DB4	Data-Bus
13	DB5	Data-Bus
14	DB6	Data-Bus
15	DB7	Data-Bus
16	DISPOFF / Vcc	DISPOFF: Active Low Vcc: Supply Voltage for OLED Panel

5. ELECTRICAL CHARACTERISTICS

ITEM	SYMBOL	CONDITION	TYPICAL VALUE	UNIT
Input Voltage	Vdd	Vdd ~ 3.3Volt	3.3	V
Supply Current	Idd	Vdd ~ 3.3Volt	~ 155	mA