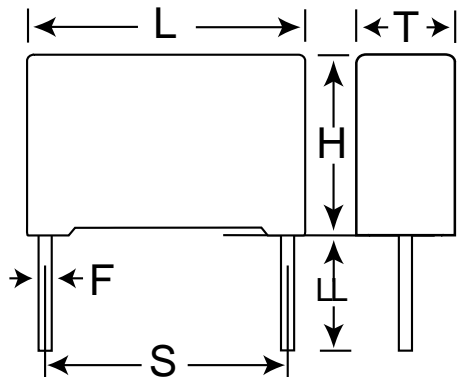


KEMET Part Number: R82EC2220AA50K
(82EC2220AA50K)

Capacitor, film, 0.022 uF, +/-10% Tol, -55/+105C, General Purpose, 100V@85C, Lead Spacing=5 mm



| Dimensions (mm) | | |
|-----------------|-----------|-----------|
| Symbol | Dimension | Tolerance |
| L | 7.2 | +0.2 |
| H | 6.5 | +0.1 |
| T | 2.5 | +0.1 |
| S | 5 | +/-0.4 |
| LL | 4 | +2 |
| F | 0.5 | +/-0.05 |

Notes:

-L,H,T are nominal dimensions and do not imply a minimum.

| General Information | |
|---------------------------|--|
| Supplier: | KEMET |
| Brand: | Arcotronics |
| Miscellaneous Electrical: | Not for new design. Use F612JF223K100C (series F612) |

| Specifications | |
|------------------------------|--------------------------------|
| Capacitance: | 0.022 uF |
| Rated Temperature: | 85C |
| Voltage @ rated temp: | 100V |
| Voltage AC: | 63VAC |
| Tolerance: | +/-10% |
| Body Type: | Radial Box |
| Dielectric: | Metallized Polyester (Stacked) |
| Application: | General Purpose |
| Temperature Range: | -55/+105C |
| Dissipation Factor @ 1 kHz: | 0.8% |
| Dissipation Factor @ 10 kHz: | 1.2% |
| Dissipation Factor @ 100kHz: | 2.5% |
| Insulation Resistance: | 15 GOhm |
| Inductance: | 7 nH |
| Maximum dVdT: | 200v/us |
| Maximum K0: | 40000V^2/us |

| Packaging Specifications | |
|--------------------------|------|
| Package Kind: | Bulk |
| Package Type: | Bag |
| Package Quantity: | 3000 |