

GP Batteries

Data Sheet

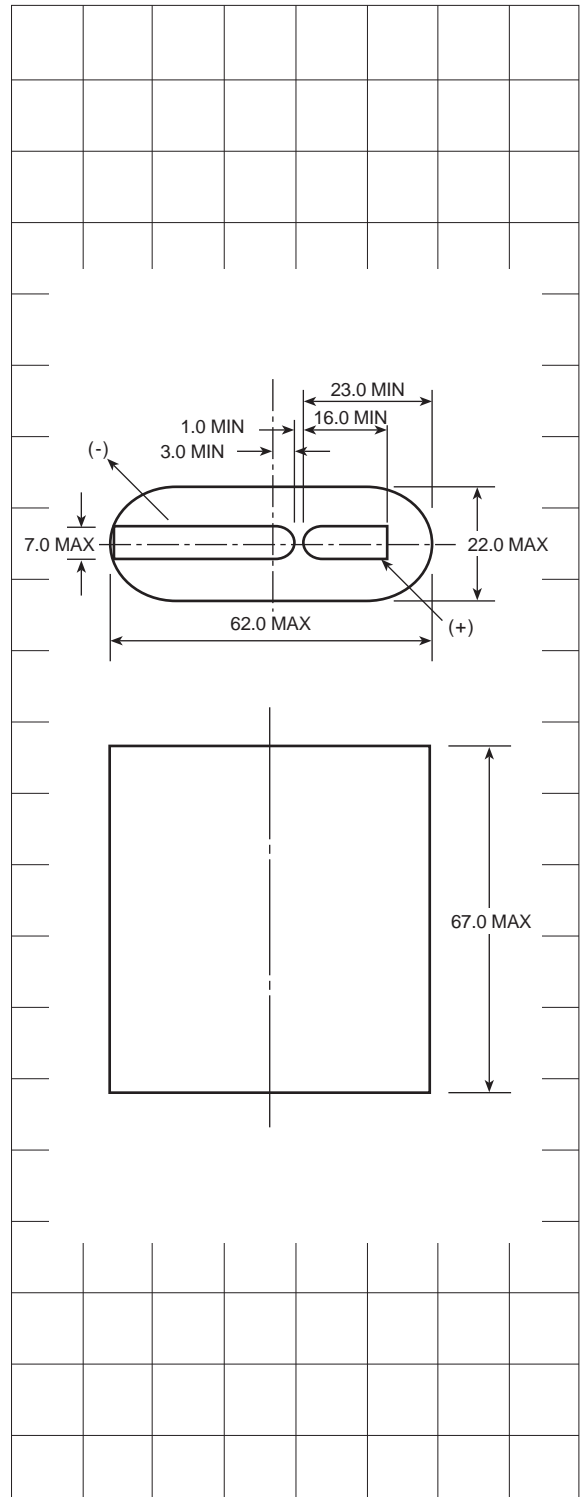
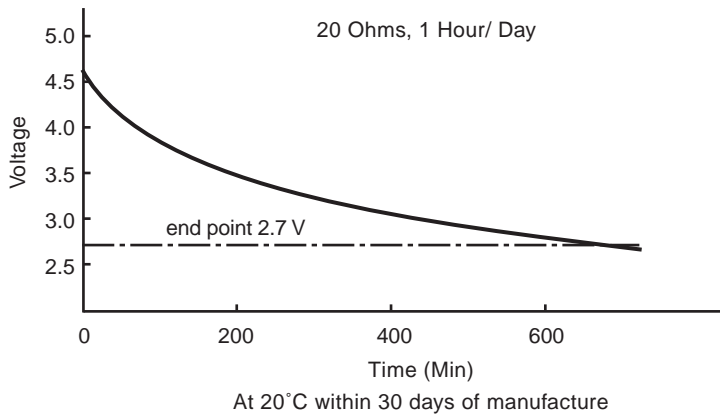
Model No.: GP312A

NO MERCURY ADDED

Description : Mercury & Cadmium Free Alkaline Manganese Battery
 Chemical System : Alkaline Manganese
 Nominal Voltage : 4.5 Volts
 Nominal Dimensions : 22.0 mm x 62.0 mm x 67.0 mm
 Terminals : Brass positive(+) and brass negative(-)
 Jacket : Plastic jacket, ultrasonic welded
 Applications : Head lamp, bicycle lamp & pocket lamp.
 Shelf Life : 36 months
 Average Weight : 165gm

Estimated Service:

Discharge Resistance	Discharge Condition	End Point Voltage	Service Life
220 Ohms	4 Hrs/ Day	2.7V	354 Hrs
20 Ohms	1 Hr/Day	2.7V	660 Mins



Cross References:

GP	IEC
312A	3LR12