



EVERLIGHT ELECTRONICS CO., LTD.

DEVICE NUMBER : DIR-091-064 REV : 1.0
ECN : _____ PAGE : 1/8

1.9mm Round Subminiature “Yoke ” Lead Infrared LED

MODEL NO : IR91-21C/F9

■ Features :

- Small double-end package
- Peak wavelength $\lambda_p=940\text{nm}$
- View angle 25°
- High reliability
- Low forward voltage

■ Description :

- IR91-21C/F9 is an infrared emitting diode in miniature SMD package witch is in a water clear plastic with spherical top view lens. The spectrally device is matched silicon with photodiode and phototransistor.

■ Applications :

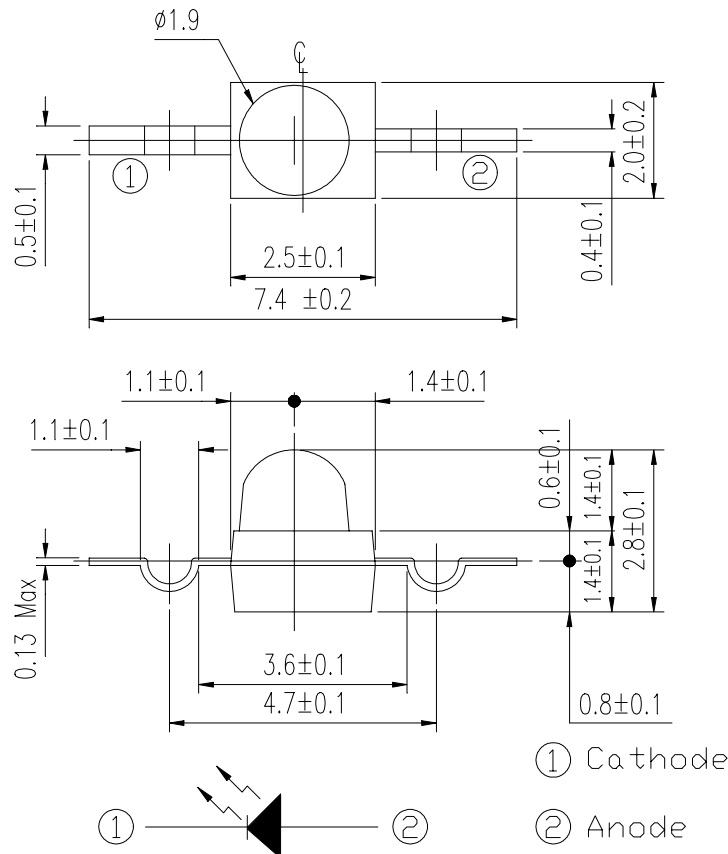
- PCB mounted infrared sensor
- Floppy disk drive
- Smoke detector
- Optoelectronic switch
- Video

PART NO.	CHIP	LENS COLOR
	MATERIAL	
IR	GaAlAs	Water Clear

1.9mm Round Subminiature “Yoke ” Lead Infrared LED

MODEL NO : IR91-21C/F9

■ Package Dimensions :



■ Notes :

1. All dimensions are in millimeter.
2. General Tolerance: ± 0.1 mm
3. Lens color : Water clear.
4. Above specification may be changed without notice. EVERLIGHT will reserve authority on material change for above specification.
5. These specification sheets include materials protected under copyright of EVERLIGHT corporation . Please don't reproduce or cause anyone to reproduce them without EVERLIGHT's consent.
6. When using this product , please observe the absolute maximum ratings and the instructions for use outlined in these specification sheets. EVERLIGHT assumes no responsibility for any damage resulting from use of the product which does not comply with the absolute maximum ratings and the instructions included in these specification sheets.



1.9mm Round Subminiature “Yoke ” Lead Infrared LED

MODEL NO : IR91-21C/F9

■ Absolute Maximum Ratings at T_A = 25°C

Parameter	Symbol	Rating	Unit	Notice
Continuous Forward Current	I _F	65	mA	
Peak Forward Current Pulse width=100 μs, Duty cycle=1%	I _{FP}	1.0	A	
Reverse Voltage	V _R	5	V	
Operating Temperature	Topr	-40 ~ +85	°C	
Storage Temperature	Tstg	-40 ~ +85	°C	
Soldering Temperature	Tsol	260	°C	
Power Dissipation at(or below) 25°C Free Air Temperature	Pd	130	mW	

■ Electronic Optical Characteristics :

Parameter	Symbol	Min.	Typ.	Max.	Unit	Condition
Radiant Intensity	E _e	3.0	5.0	----	mW/sr	I _F =20mA
		----	25	----		I _F =100mA, tp=100 μs, t _p /T=0.01
		----	250	----		I _F =1A, tp=100 μs, t _p /T=0.01
Peak Wavelength	λ _p	----	940	----	nm	I _F =20mA
Spectral Bandwidth	Δλ	----	45	----	nm	I _F =20mA
Forward Voltage	V _F	----	1.2	1.5	V	I _F =20mA
		----	1.4	1.85		I _F =100mA, tp=100 μs, t _p /T=0.01
		----	2.6	4.0		I _F =1A, tp=100 μs, t _p /T=0.01
Reverse Current	I _R	----	----	10	μA	V _R =5V
View Angle	2θ1/2	----	25	----	deg	I _F =20mA



EVERLIGHT ELECTRONICS CO., LTD.

DEVICE NUMBER : DIR-091-064 REV : 1.0
ECN : _____ PAGE : 4/8

1.9mm Round Subminiature “Yoke ” Lead Infrared LED

MODEL NO : IR91-21C/F9

■ Typical Electrical/Optical/Characteristics Curves



EVERLIGHT ELECTRONICS CO., LTD.

DEVICE NUMBER : DIR-091-064 REV : 1.0
ECN : _____ PAGE : 5/8

1.9mm Round Subminiature “Yoke ” Lead Infrared LED

MODEL NO : IR91-21C/F9

■ Typical Electrical/Optical/Characteristics Curves



1.9mm Round Subminiature “Yoke ” Lead Infrared LED

MODEL NO : IR91-21C/F9

■ Reliability Test Item And Condition

The reliability of products shall be satisfied with items listed below.

Confidence level:90%

LTPD:10%

NO.	Item	Test Conditions	Test Hours/ Cycles	Sample Size	Failure Judgement Criteria	Ac/Re
1	Solder Heat	TEMP : 260°C ± 5 °C	5 secs	22 pcs		0/1
2	Temperature Cycle	H : +85°C 30 mins <div style="text-align: center;"> </div> L : -55°C 30 mins	50 cycles	22 pcs	$I_R \geq U \times 2$ $E_e \leq L \times 0.8$ $V_F \geq U \times 1.2$	0/1
3	Thermal Shock	H : +100°C 5 mins <div style="text-align: center;"> </div> L : -10°C 5 mins	50 cycles	22 pcs	U :Upper specification limit L :Lower specification limit	0/1
4	High Temperature Storage	TEMP. : +100°C	1000 hrs	22 pcs		0/1
5	Low Temperature Storage	TEMP. : -55°C	1000 hrs	22 pcs		0/1
6	DC Operating Life	$I_F=20mA$	1000 hrs	22 pcs		0/1
7	High Temperature / High Humidity	85°C / 85% R.H.	1000 hrs	22 pcs		0/1



1.9mm Round Subminiature “Yoke ” Lead Infrared LED

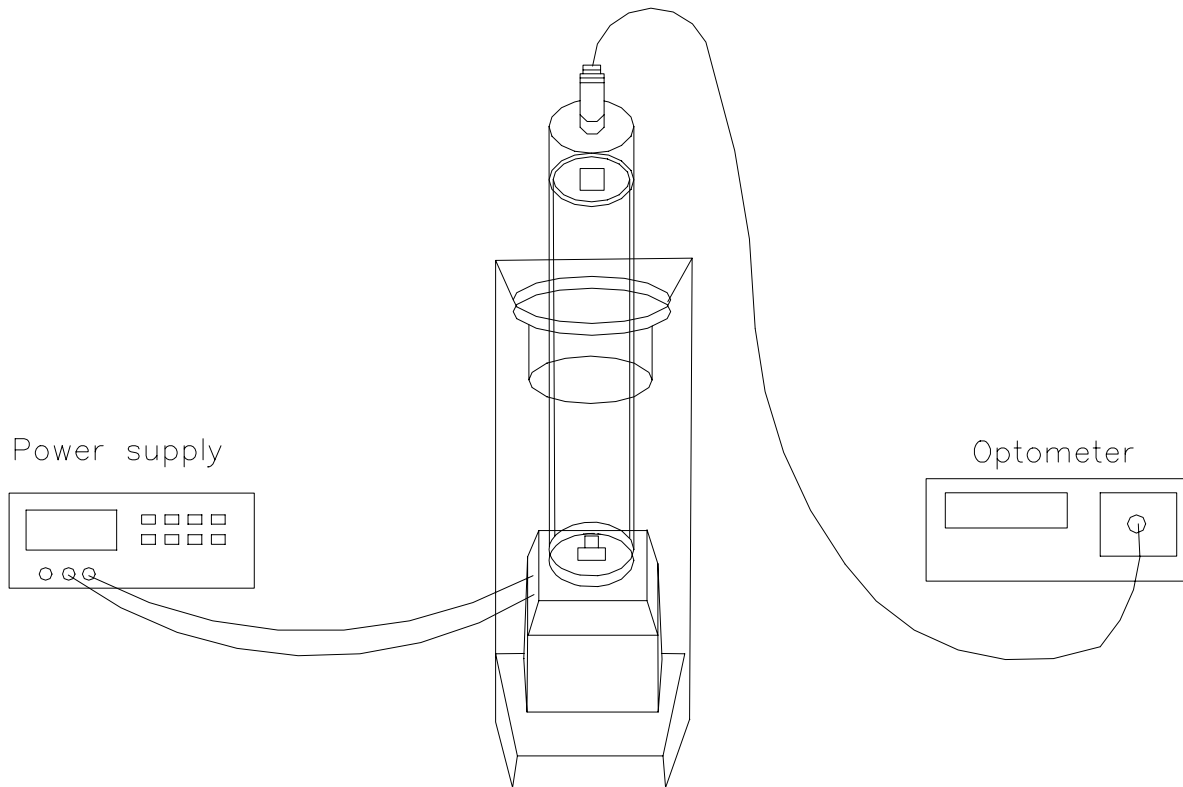
MODEL NO : IR91-21C/F9

■ Test Method For Power :

Condition : $I_F=20$ mA

Test Item : Radiant Intensity

Unit : mW/sr

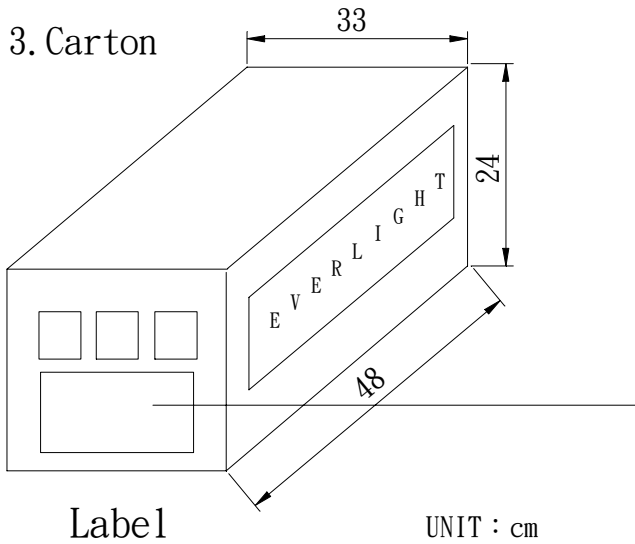
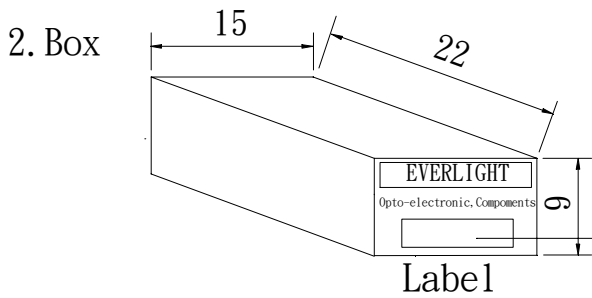
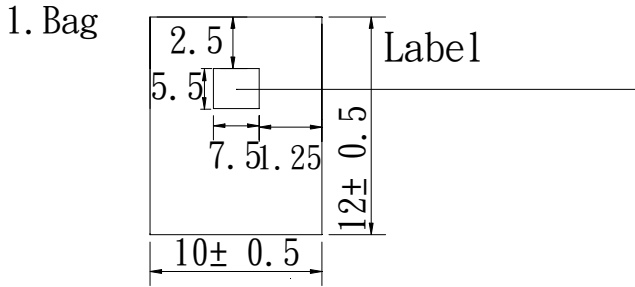




1.9mm Round Subminiature "Yoke" Lead Infrared LED

MODEL NO : IR91-21C/F9

■ Packing Specifications



EVERLIGHT

CPN:
P/N:

IR91-21C/F9

QTY:

LOT NO:

CAT:
HUE:
REF:

MADE IN TAIWAN

CPN : Customer's Production Number

P/N : Production Number

QTY : Packing Quantity

CAT : Ranks

HUE : Peak Wavelength

REF : Reference

LOT NO : Lot Number

MADE IN TAIWAN : Production place

■ Packing Quantity Specification

1. 1000 Pcs/1Bag , 20 Bags/1Box

2. 10 Boxes/1Carton