



HITPOINT

SPECIFICATION

PRODUCT TYPE: PMOF-9767NS-38UQ
(RoHS)

DSND BY		
CHKD BY		
APVD BY		

光 键 股 份 有 限 公 司

HITPOINT INC.

Add: No.4, Lane 505 ,Zhongzheng Road, Linkou Shiang, Taipei,Taiwan24445

Tel: + 886-2-2601-3311

FAX : + 886-2-2601-3898

<http://www.hitpoint.com.tw/>

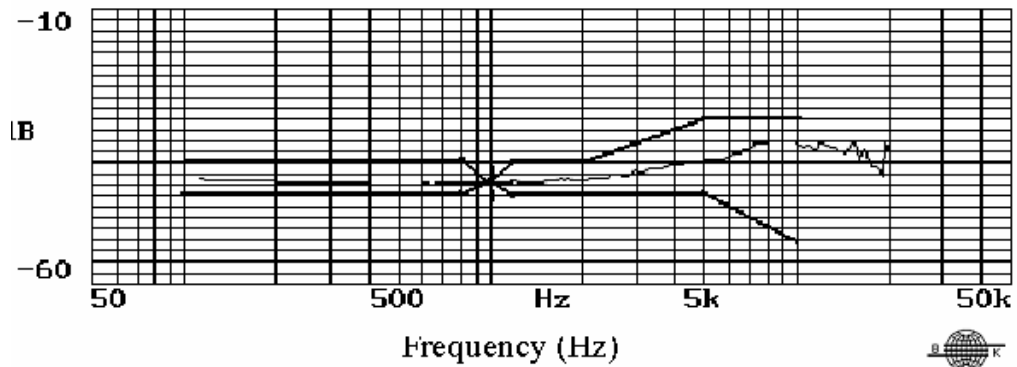
1 Name: Omnidirectional Electret Condenser Microphone (Foil Electret Type)

2 TYPE: PMOF-9767NS-38U

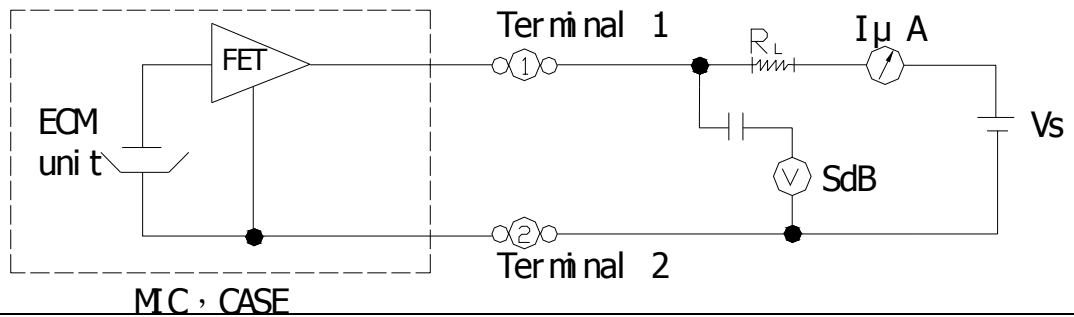
3 Electrical Specifications:

3.1	Sensitivity Range	$-38 \pm 2\text{dB}$ $R_L=2.2\text{K}\Omega$ $V_{CC}=4.5\text{V}$ (1KHz 0dB=1V/Pa)
3.2	Impedance	Max. $2.2\text{K}\Omega$ 1KHz ($R_L=2.2\text{K}\Omega$)
3.3	Frequency	20-16000 Hz
3.4	Current Consumption	Max.0.5mA
3.5	Operation Voltage Range	1.0V-10V
3.6	Max. Sound Pressure Level	120dB S.P.L
3.7	S/N Ratio	More than 58dB
3.8	Sensitivity Reduction	4.5V-3.0V Sensitivity Variation less than 3dB

3.9 Typical Frequency Response Curve:



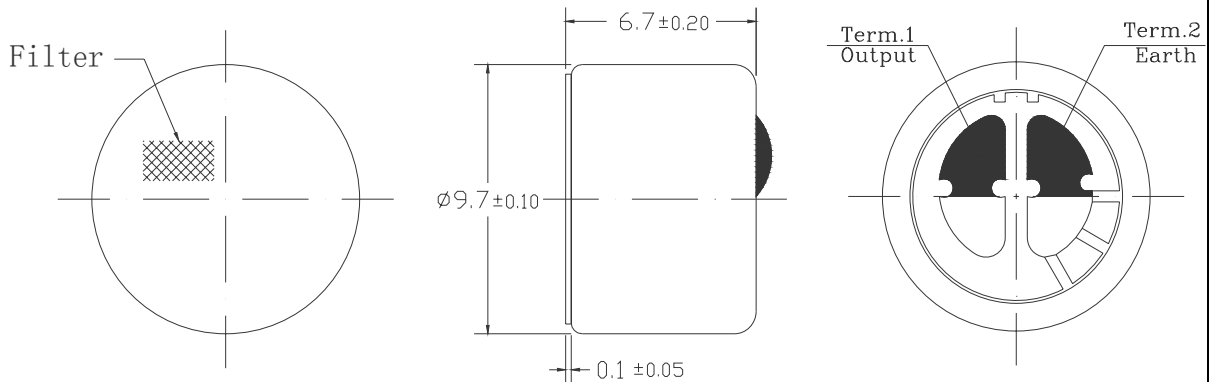
3.10 Schematic Diagram:



4 Mechanical Specifications:

4.1 Dimension (mm):

1



4	Weight	0.6g
5. Reliability Tests: After any following tests, the sensitivity of the microphone unit shall not change more than $\pm 3\text{dB}$ from initial value, and shall keep their initial operation and appearance.		
5.1	Hi-Temp. Test	The microphone unit must be subjected to $+70^{\circ}\text{C}$ for 48 Hours, and expose to room temperature for 3 Hours.
5.2	Low-Temp. Test	The microphone unit must be subjected to -25°C for 48 Hours, and expose to room temperature for 3 Hours.
5.3	Humi.&Heat Tes	The microphone unit must be subjected to $+40^{\circ}\text{C}$, 93% RH-for 48 Hours, and expose to room temp for 3 Hours .
5.4	Humidity Shocking Test	The microphone unit must be subjected to following conditions ($+45^{\circ}\text{C}$ 1H-room temp 1H; -10°C 1H-room temp 1H) at 5 cycle, and expose to room temp for 3 Hours.
5.5	Vibration Test	The microphone unit must be subjected to a procedure that after vibrating for two hours from each of the two directions with a frequency of 10-55Hz and a 1.52mm-high amplitude.
5.6	Dropping Test	The microphone unit must be subjected to a procedure that after dropping to a slippery marble floor for 5 times from a 1-meter-high without package.
6	Environmental Condition:	
6.1	Storage condition	$-20^{\circ}\text{C}\sim+60^{\circ}\text{C}$ R.H. less than 45%~75%
6.2	Operation condition	$-10^{\circ}\text{C}\sim+45^{\circ}\text{C}$ R.H. less than 85%
6.3	Arbitration condition	Temperature : $20^{\circ}\text{C}\pm 1^{\circ}\text{C}$ Relative humidity: 63%~67% Air pressure : 86~106Kpa
7	Notices:	
7.1	All the soldering procedures upon microphones must be completed in a metallic device, the temperature of the soldering iron must be limited as $310^{\circ}\text{C}\pm 20^{\circ}\text{C}$.	
7.2	Operators, the solder fixtures and the soldering irons must be statically grounded under each soldering process.	