

HITPOINT

TEL:8862-26013311

FAX:8862-26013898

NO.4 Lane 505, Zhongzheng Rd., Linkou Shiang, Taipei, Taiwan 24445 . R.O.C

PS-523AQ

(ROHS)

DATE:2004.12.28

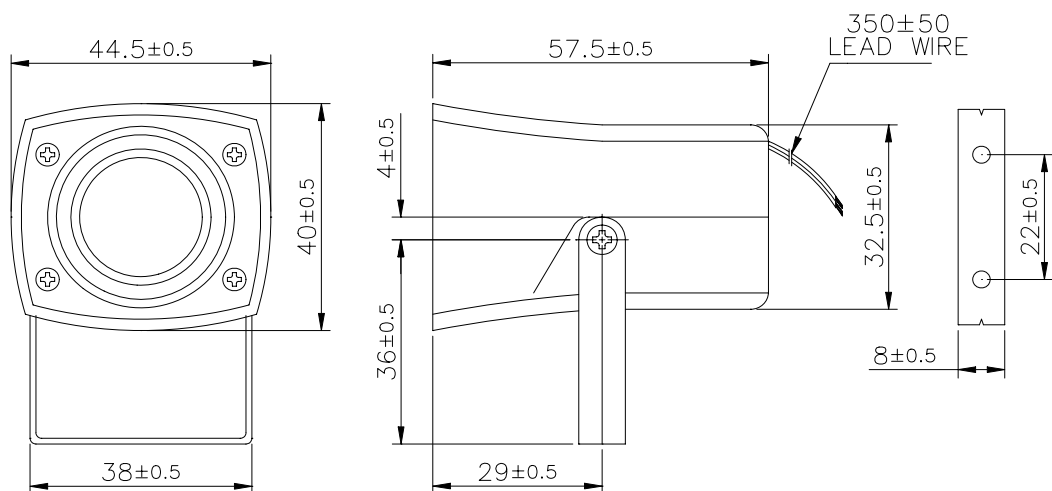
1 . Electrical Characteristics

VER .:0

| | |
|--------------------------------|-------------------------------|
| Resonant Frequency (KHz) | 1.5 ~ 4.0 |
| Operating Voltage (Vdc) | 5 ~ 15 |
| Rated Voltage (Vdc) | 12 |
| Current Consumption (mA/max.) | 200 at Rated Voltage |
| Sound Pressure Level (dB/min.) | 105 at 100cm at Rated Voltage |
| Tone/Pulse Rate (Hz) | Sweep 4.5 ±20% |
| Operating Temperature (°C) | -20 ~ +70 |
| Storage Temperature (°C) | -30 ~ +80 |
| Manual soldering conditions | 350±20°C / within 5sec |

2 . Dimensions and Material

2-1 Shape



Unit : mm



2-2 Material

| | |
|---------------|--|
| Housing | ABS 757 UL94HB plastic resin (Color : Black) |
| Leading Wire | 20 AWG |
| Weight (Gram) | 49.8 |

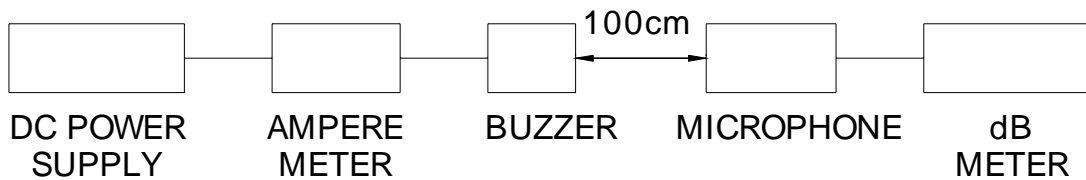
3. TESTING METHOD

• *Standard Measurement conditions*

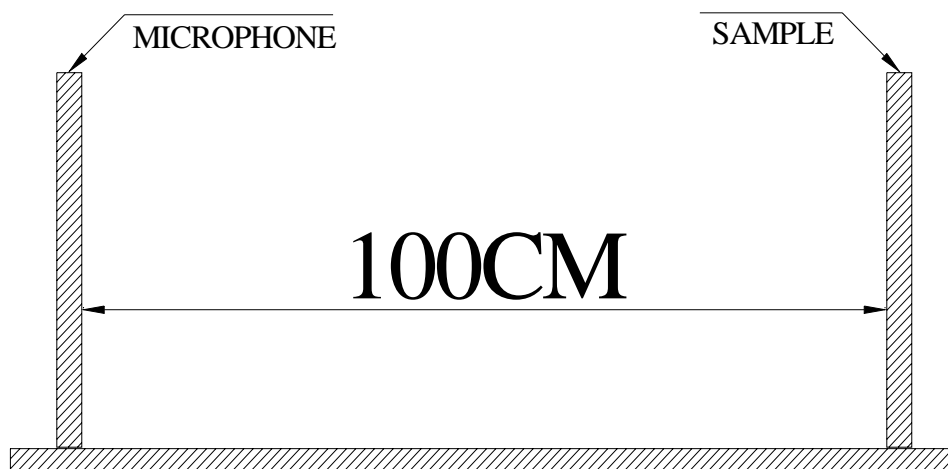
Temperature: $25 \pm 2^\circ\text{C}$ Humidity: 45-60%

• *Acoustic Characteristics*

The oscillation frequency, current consumption and sound pressure are measured by the measuring instruments shown below.



In the measuring test, buzzer is placed as follows:





HITPOINT

TEL:8862-26013311

FAX:8862-26013898

NO.4 Lane 505, Zhongzheng Rd., Linkou Shiang, Taipei, Taiwan 24445 . R.O.C

4. RELIABILITY

| ITEMS | METHOD OF TEST AND MEASUREMENTS | PERFORMANCE |
|---------------------------|---|----------------------------|
| Coldness withstanding | After 98 hours of being exposed to -30°C environment, should be returned to normal environment for 2 hours, then re-proceed to test. | No abnormality shall exist |
| Hotness withstanding | After 98 hours of being exposed to +80°C environment, should be returned to normal environment for 2 hours, then re-proceed to test. | No abnormality shall exist |
| Humidity withstanding | After 98 hours of being exposed to 40°C 95%RH environment in actual operation, should be returned to normal environment for 2 hours, then re-proceed to test. | No abnormality shall exist |
| Vibration withstanding | Linear vibrate frequency rate: 5~55Hz Time:180sec , applied in X, Y and Z directions for 3 times each. | No abnormality shall exist |

5. PACKAGE METHOD

<1> 25pcs per box , Total 10 boxes per carton , total 250pcs carton;
Volume: L*W*H=510*330*300mm

< 2 > RoHS Mark

