

Specification Status: RELEASED

Maximum Electrical Rating at 20°C

30 V_{DC} / 100 A_{DC}
30 V_{AC} / 70 A_{RMS}

Insulating Material:
 Cured, Flame Retardant Epoxy Polymer
 meets UL94 V-0 Requirements

Lead Material:
 20 AWG Tin Plated Copper

Marking:

- Raychem Logo and Voltage
- XX 30
- UF700 — Part Identification
- □ □ □ — Lot Identification (can be on back)

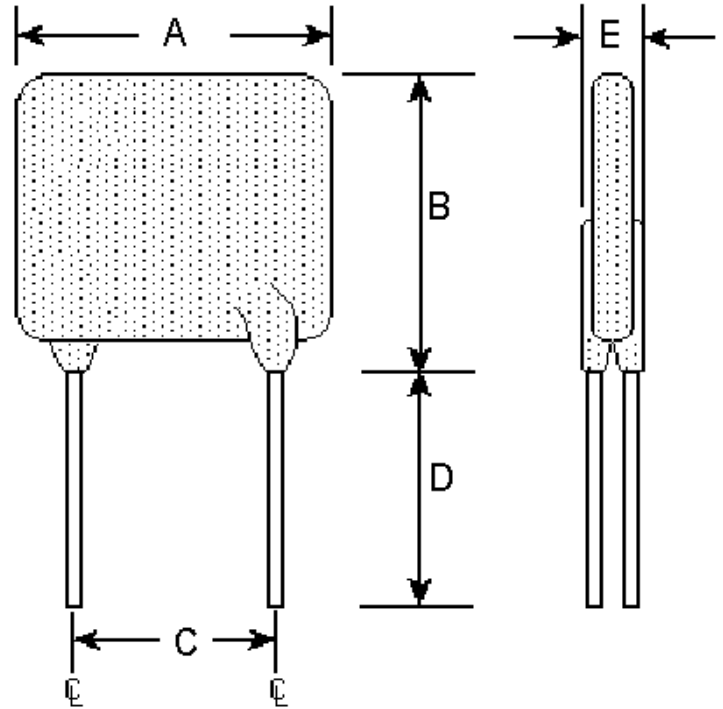


TABLE I. DIMENSIONS:

| | A | | B | | C | | D | | E | |
|------|-----|--------|-----|--------|--------|--------|--------|-----|-----|--------|
| | MIN | MAX | MIN | MAX | MIN | MAX | MIN | MAX | MIN | MAX |
| mm: | -- | 19.1 | -- | 25.9 | 9.4 | 10.9 | 7.6 | -- | -- | 3.0 |
| in*: | -- | (0.75) | -- | (1.02) | (0.37) | (0.43) | (0.30) | -- | -- | (0.12) |

*Rounded off approximation

TABLE II. PERFORMANCE RATINGS:

| I HOLD | CURRENT RATINGS | | TIME TO TRIP | RESISTANCE | | ONE-HOUR POST-TRIP RESISTANCE STANDARD TRIP | NOMINAL TRIPPED POWER DISSIPATION |
|--------|-----------------|--------------------------|----------------------------|---------------------------|------|---|-----------------------------------|
| | AMPS 20°C HOLD | AMPS AT 20°C HOLD TRIP | SECONDS AT 20°C, 35.0A MAX | OHMS AT 20.0° C MIN MAX | | OHMS AT 20°C MAX | WATTS AT 20°C |
| 7.00 | 7.00 | 14.00 | 17.5 | 0.005 | 0.02 | 0.03 | 3.8 |

Recognitions: UL, CSA, TUV
 Reference Documents: PS300
 Precedence: This specification takes precedence over documents referenced herein.
 Effectivity: Reference documents shall be the issue in effect on the date of invitation for bid.
 CAUTION: Operation beyond the rated voltage or current may result in rupture, electrical arcing or flame.