





STL(Z) 950/.. G - 5.0 (5.08) - V - GREEN

**2-24 poles, Spacing 5,0 mm or 5,08 mm
insert required no. of poles ..**

How to order see page 11

Ratings:

		
Rated Voltage	300 V	250 V
Rated Current	15 A	12 A (T60)
Overtoltage Category		III
Rating Impulse Voltage/Dirt Level		4 kV/3

Dimensions

Spacing	5,0 mm (5,08 mm)
PCB Hole Diameter	1,4 mm

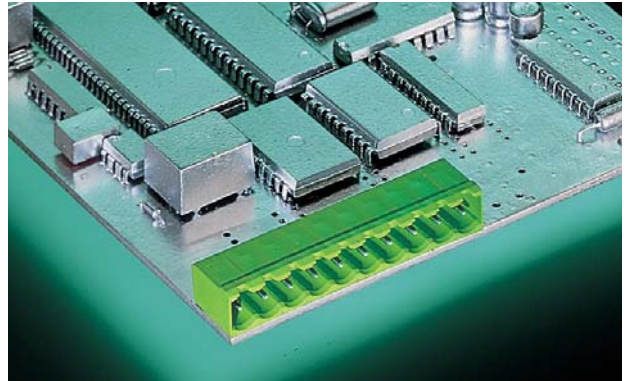
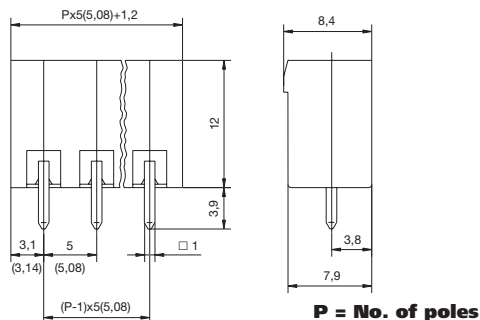
Materials

Insulating Material	PA
Flammability Class	UL94 V-0
Temperature Range	-30°C/+105°C
Contact Pin	Cu

Colour

green	RAL 6018
-------	----------

STL(Z) 950 VERTICAL




STL(Z) 950/.. G - 5.0 (5.08) - H - GREEN

**2-24 poles, Spacing 5,0 mm or 5,08 mm
insert required no. of poles ..**

How to order see page 11

Ratings:

		
Rated Voltage	300 V	250 V
Rated Current	15 A	12 A (T60)
Overtoltage Category		III
Rating Impulse Voltage/Dirt Level		4 kV/3

Dimensions

Spacing	5,0 mm (5,08 mm)
PCB Hole Diameter	1,4 mm

Materials

Insulating Material	PA
Flammability Class	UL94 V-0
Temperature Range	-30°C/+105°C
Contact Pin	Cu

Colour

green	RAL 6018
-------	----------

STL(Z) 950 HORIZONTAL

