

億力光電股份有限公司

EVERVISION ELECTRONICS CO., LTD.

Product Specification For LCD Module

(KVPF-7B-002-16)

Model NO. : VGG322404-6UFLWA(RoHS)

REVISION : 5

APPROVAL FOR SPECIFICATIONS ONLY

APPROVAL FOR SPECIFICATIONS AND SAMPLE

CUSTOMER :

STD.





APPROVED BY :

EVERVISION LCM R&D CENTER

APPROVED BY

CHECKED BY

PREPARED BY

 正  DIRECTOR	 正  MANAGER	楊 材 成 8/22/07 Mechanism Engineer	張 乃 元 8/25/07 Electronic Engineer
--	---	--	---

億力光電股份有限公司總公司
EVERVISION ELECTRONICS LTD.
 台北縣中和市建一路 186 號 12 樓
 12F, NO.186, JIAN 1st RD., CHUNG HO CITY,
 TAIPEI HSIEN, TAIWAN, R.O.C
 TEL : +886 2 8227-2788
 FAX : +886 2 8227-2789

億力光電股份有限公司台中分公司
EVERVISION ELECTRONICS(T.C) LTD.
 台中縣潭子鄉台中加工出口區建國路 19 號
 NO.19, CHIEN KUO ROAD.T.E.P.Z TANTZE
 427 TAICHUNG HSIEN TAIWAN R.O.C
 TEL : +886 4 2532-8889
 FAX : +886 4 2532-6689

東莞莞城德寶電子廠
EVERVISION ELECTRONICS(B.V.I) LTD.
 廣東省東莞市城區東縱大道天寶路 9 號
 NO.9, Tian Bao Rd., Dong Zong St., Dong Guan City
 Guang Dong, China.
 TEL : +86 769 2220 5258
 FAX : +86 769 2220 7258

勁佳光電(昆山)有限公司
EVERVISION ELECTRONICS(KUNSHAN) LTD.
 江蘇省昆山市玉山鎮高科技工業園城北路 8 號
 NO.8, Chengbei Rd., Hi-Tech Industry Park,
 Yushan Town, Kunshan City, Jiangsu, China.
 TEL : +86 512 5778 7288
 FAX : +86 512 5777 0688

<http://www.evervisionlcd.com>

EVERVISION	MODEL NO.		PAGE
	VGG322404-6UFLWA	SPEC SAMPLE	2

1. Table of Contents

No.	Contents	Page
1	Table of Contents	2
2	Record of Revisions	3
3	Module Numbering System	4
4	Application	5
5	Features	5
6	General Specifications	5
7	Absolute Maximum Ratings	6
8	Electrical Characteristics	7
9	Block Diagram	8
10	Input / Output Terminals Pin Assignment	9
11	Interface Timing	11
12	Optical Characteristics	13
13	Reliability Test	16
14	Packaging	17
15	Precautions	18
16	Outline Drawing	19
17	Definition of Labels	20
18	Incoming Inspection Standards	22

EVERVISION	MODEL NO.		PAGE
	VGG322404-6UFLWA	SPEC SAMPLE	4

3. Module Numbering System

V G G 3224 04 – 6 U F L W A

Serial No.: A~Z

Backlight Color:
N: Without Backlight;
A: Amber; **B**: Blue; **G**: Green;
L: Yellow; **O**: Orange; **R**: Red;
W: White; **Y**: YellowGreen;
X: Others

Backlight Type:
N: Without Backlight; **E**: EL; **F**: CCFL;
L: General LED; **H**: High NTSC LED ;
R: RGB LED; **X**: Others

LCD Model:
T: TN; **H**: HTN; **G**: STN Gray; **Y**: STN Yellow;
B: STN Blue; **W**: FSTN Black/White;
C: CSTN; **F**: TFT; **O**: OLED; **P**: PLED;
L: LTPS; **N**: Others

LCD Type:
R: Reflective/Positive;
S: Reflective/Negative ;
F: Transflective/Positive ;
G: Transflective/Negative ;
U: Transmissive/Positive ;
T: Transmissive/Negative ; **N**: Others

Temperature Range & View Direction:
General Purpose : **1**:6H **2**:12H **3**:3H **4**:9H **5**:Others
High Performance: **6**:6H **7**:12H **8**:3H **9**:9H **0**:Others

STD Product Serial No.: 01~99
Customer Made Serial No.: A1,A2... A9,B1,B2... B9,C1..

Display Function:
Segment Number / Characters Lines / Column and Row Dots
/ Length * Width of Other

Display Type:
C: Character Type; **G**: Graphic Type; **S**: Segment Type; **O**: Other

Package Type:
B: COB; **F**: COF; **G**: COG; **H**: Heat Seal; **S**: SMT; **T**: TAB; **O**: Others

EVERVISION	MODEL NO.		PAGE
	VGG322404-6UFLWA	SPEC SAMPLE	5

4. Application

This specification is applied to the 5.7 inch QVGA supported TFT-LCD module, and can display true 262,144 colors(6 bit/ color). The module is designed for OA, Car TV application and other electronic products which require flat panel display of digital signal interface. This module is composed of a 5.7" TFT-LCD panel, a driver circuit and LED backlight unit.

5. Features

- QVGA (320×240 pixels) resolution.
- Digital 18 bit parallel RGB.
- Line inversion mode with stripe type.
- DE mode

6. General Specifications

Item	Specifications	Unit
Screen Size	5.7 (Diagonal)	inch
Display Format	320RGB(H)×240(V)	dot
Active Area	115.2(H)×86.4(V)	mm
Dot Size	0.120(H)×0.360(V)	mm
Pixel Configuration	RGB Vertical Stripe	-
Display Mode	TN Type Transmissive Mode Normally White	-
Surface Treatment	Anti-Glare	-
Viewing Direction	6 O'clock (The Gray Inversion will appear at this direction)	-
Outline Dimension	167.0(W)×109.0(H)×8.9(D)	mm
Weight	196.5	g

EVERVISION	MODEL NO.		PAGE
	VGG322404-6UFLWA	SPEC SAMPLE	6

7. Absolute Maximum Ratings

7.1 Absolute Ratings of Environment

Item	Symbol	Value		Unit	Note
		Min.	Max.		
Storage Temperature	T _{ST}	-30	+80	°C	(1)
Operating Ambient Temperature	T _{OP}	-20	+70	°C	(1)

Note (1) Temperature and relative humidity range are shown in the figure below.

(a) 90%RH Max. ($T_a \leq 40^\circ\text{C}$).

(b) Wet-bulb temperature should be 39°C Max. ($T_a > 40^\circ\text{C}$).

(c) No condensation.

7.2 Electrical Absolute Ratings

7.2.1 TFT-LCD Module

($T_a = 25 \pm 2^\circ\text{C}$, GND=VSS=0V)

Item	Symbol	Value		Unit	Note
		Min.	Max.		
Digital Power Supply Voltage	VCC	-0.3	4.3	V	-

7.2.2 Backlight Unit

($T_a = 25 \pm 2^\circ\text{C}$)

Item	Symbol	Value		Unit	Note
		Min.	Max.		
Current of Backlight Unit	I _B	-	75	mA	(1)
Voltage of Backlight Unit	V _B	-	30	V	(1)

Note (1) Permanent damage to the device may occur if maximum values are exceeded or reverse voltage is loaded.

EVERVISION	MODEL NO.		PAGE
	VGG322404-6UFLWA	SPEC SAMPLE	7

8. Electrical Characteristics

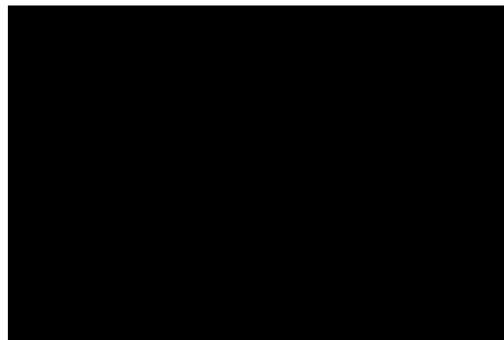
8.1 TFT-LCD Module

(Ta=25±2°C)

Item	Symbol	Value			Unit	Note
		Min.	Typ.	Max.		
Power Supply Voltage	VCC	3.0	3.3	3.6	V	-
Input High Threshold Voltage	VIH	0.7VCC	-	VCC	V	-
Input Low Threshold Voltage	VIL	0	-	0.3VCC	V	-
Power Consumption	P _L		(0.24)		W	(1)
Frame Frequency	F _V	-	60	-	Hz	-
Dot Clock	DCLK	-	6.4	7	MHz	-

Note (1) The specified power consumption is under the conditions at VCC=3.3V, F_V=60Hz, whereas a power dissipation check pattern below is displayed.

Black Pattern / 0 Gray



Active Area

8.2 Backlight Unit

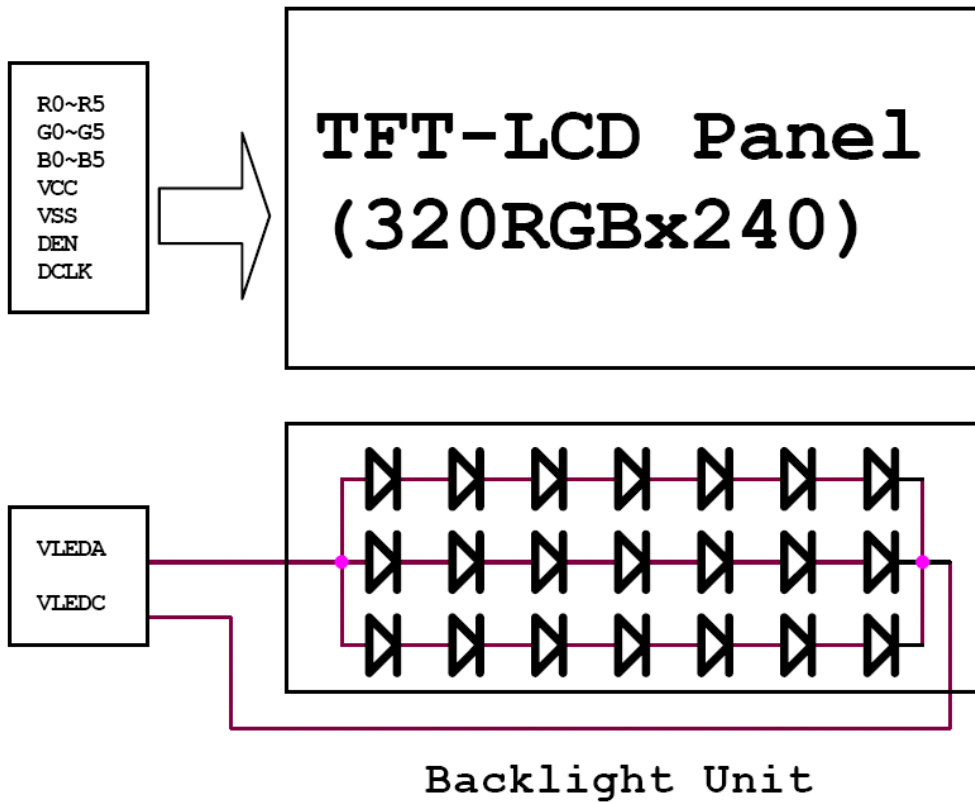
(Ta=25±2°C)

Item	Symbol	Value			Unit	Note
		Min.	Typ.	Max.		
Current of Backlight Unit	I _B	-	60	-	mA	-
Voltage of Backlight Unit	V _B	-	23.1	-	V	I _B =60mA
Power Consumption	P _{BL}	-	(1.4)	-	W	I _B =60mA
LED Life Time(25°C)		40000	--	--	hr	(1)

Note (1) : Lamp life time is defined as under 25±2°C , when the average brightness decrease to 50% of original brightness

9. Block Diagram

9.1 TFT-LCD Module with Backlight Unit



10. Input / Output Terminals Pin Assignment

10.1 TFT-LCD Module

Connector: CVILUX CF25401D0R0-05

Pin No	Symbol	Description	Pin No	Symbol	Description
1	VCC	Powr Supply for Logic	21	G4	Green data
2	VCC	Powr Supply for Logic	22	G3	Green data
3	VCC	Powr Supply for Logic	23	VSS	GND
4	VCC	Powr Supply for Logic	24	G2	Green data
5	NC	No Connection	25	G1	Green data
6	DEN	Input data enable control	26	G0	Green data
7	VSS	GND	27	VSS	GND
8	DCLK	Dot Clock	28	R5	Red data
9	VSS	GND	29	R4	Red data
10	NC	No Connection	30	R3	Red data
11	VSS	GND	31	VSS	GND
12	B5	Blue data	32	R2	Red data
13	B4	Blue data	33	R1	Red data
14	B3	Blue data	34	R0	Red data
15	VSS	GND	35	NC	No Connection
16	B2	Blue data	36	VSS	GND
17	B1	Blue data	37	NC	No Connection
18	B0	Blue data	38	NC	No Connection
19	VSS	GND	39	NC	No Connection
20	G5	Green data	40	NC	No Connection

10.2 Backlight Unit

Connector: JST BHSR-02VS-1(N)

Pin No.	Symbol	I/O	Description	Wire Color
1	VLEDA	I	Backlight LED Anode.	Red
2	VLEDC	I	Backlight LED Cathode.	Black

10.3 Color Data Input Assignment

The brightness of each primary color(red, green and blue) is based on the 6 bit gray scale data input for the color. The higher the binary input, the brighter the color. The table provides the assignment of color versus data input.

Color		Data Signal																	
		Red						Green						Blue					
		D05	D04	D03	D02	D01	D00	D15	D14	D13	D12	D11	D10	D25	D24	D23	D22	D21	D20
Basic Colors	Black	0	0	0	0	0	0	0	0	0	0	0	0	0	0	0	0	0	0
	Red	1	1	1	1	1	1	0	0	0	0	0	0	0	0	0	0	0	0
	Green	0	0	0	0	0	0	1	1	1	1	1	1	0	0	0	0	0	0
	Blue	0	0	0	0	0	0	0	0	0	0	0	0	1	1	1	1	1	1
	Cyan	0	0	0	0	0	0	1	1	1	1	1	1	1	1	1	1	1	1
	Magenta	1	1	1	1	1	1	0	0	0	0	0	0	1	1	1	1	1	1
	Yellow	1	1	1	1	1	1	1	1	1	1	1	1	0	0	0	0	0	0
	White	1	1	1	1	1	1	1	1	1	1	1	1	1	1	1	1	1	1
Gray Scale Of RED	Red(0) / Dark	0	0	0	0	0	0	0	0	0	0	0	0	0	0	0	0	0	0
	Red(1)	0	0	0	0	0	1	0	0	0	0	0	0	0	0	0	0	0	0
	Red(2)	0	0	0	0	1	0	0	0	0	0	0	0	0	0	0	0	0	0
	:	:	:	:	:	:	:	:	:	:	:	:	:	:	:	:	:	:	:
	:	:	:	:	:	:	:	:	:	:	:	:	:	:	:	:	:	:	:
	Red(61)	1	1	1	1	0	1	0	0	0	0	0	0	0	0	0	0	0	0
	Red(62)	1	1	1	1	1	0	0	0	0	0	0	0	0	0	0	0	0	0
	Red(63)	1	1	1	1	1	1	0	0	0	0	0	0	0	0	0	0	0	0
Gray Scale Of Green	Green(0) / Dark	0	0	0	0	0	0	0	0	0	0	0	0	0	0	0	0	0	0
	Green(1)	0	0	0	0	0	0	0	0	0	0	1	0	0	0	0	0	0	0
	Green(2)	0	0	0	0	0	0	0	0	0	1	0	0	0	0	0	0	0	0
	:	:	:	:	:	:	:	:	:	:	:	:	:	:	:	:	:	:	:
	:	:	:	:	:	:	:	:	:	:	:	:	:	:	:	:	:	:	:
	Green(61)	0	0	0	0	0	0	1	1	1	1	0	1	0	0	0	0	0	0
	Green(62)	0	0	0	0	0	0	1	1	1	1	1	0	0	0	0	0	0	0
	Green(63)	0	0	0	0	0	0	1	1	1	1	1	1	0	0	0	0	0	0
Gray Scale Of Blue	Blue(0) / Dark	0	0	0	0	0	0	0	0	0	0	0	0	0	0	0	0	0	0
	Blue(1)	0	0	0	0	0	0	0	0	0	0	0	0	0	0	0	0	0	1
	Blue(2)	0	0	0	0	0	0	0	0	0	0	0	0	0	0	0	0	1	0
	:	:	:	:	:	:	:	:	:	:	:	:	:	:	:	:	:	:	:
	:	:	:	:	:	:	:	:	:	:	:	:	:	:	:	:	:	:	:
	Blue(61)	0	0	0	0	0	0	0	0	0	0	0	1	1	1	1	1	0	1
	Blue(62)	0	0	0	0	0	0	0	0	0	0	0	1	1	1	1	1	1	0
	Blue(63)	0	0	0	0	0	0	0	0	0	0	0	1	1	1	1	1	1	1

11. Interface Timing

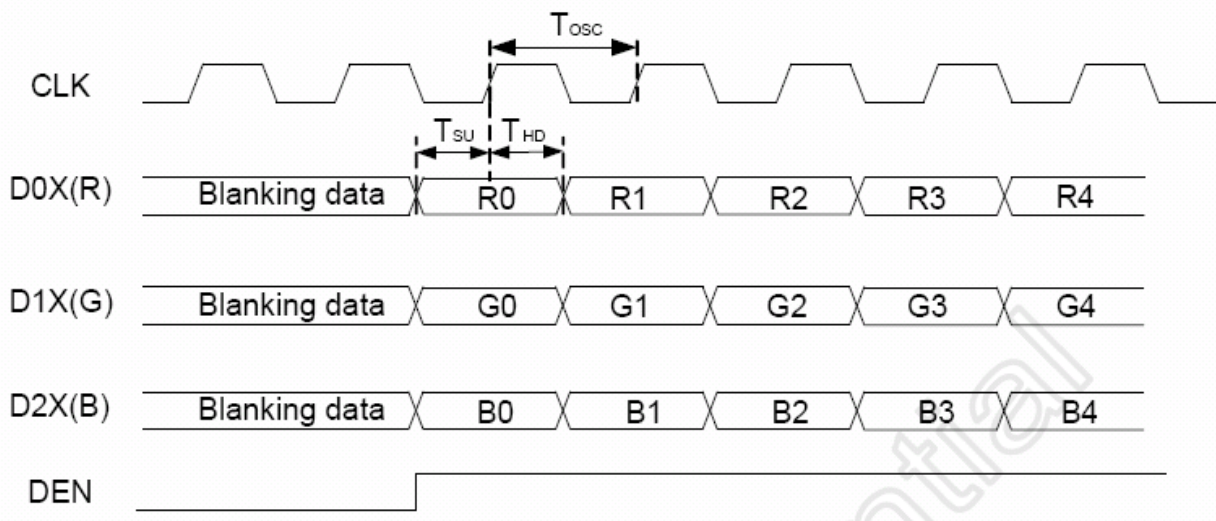
11.1 Input Signal Characteristics

Digital Parallel RGB Interface (960×240 resolution)

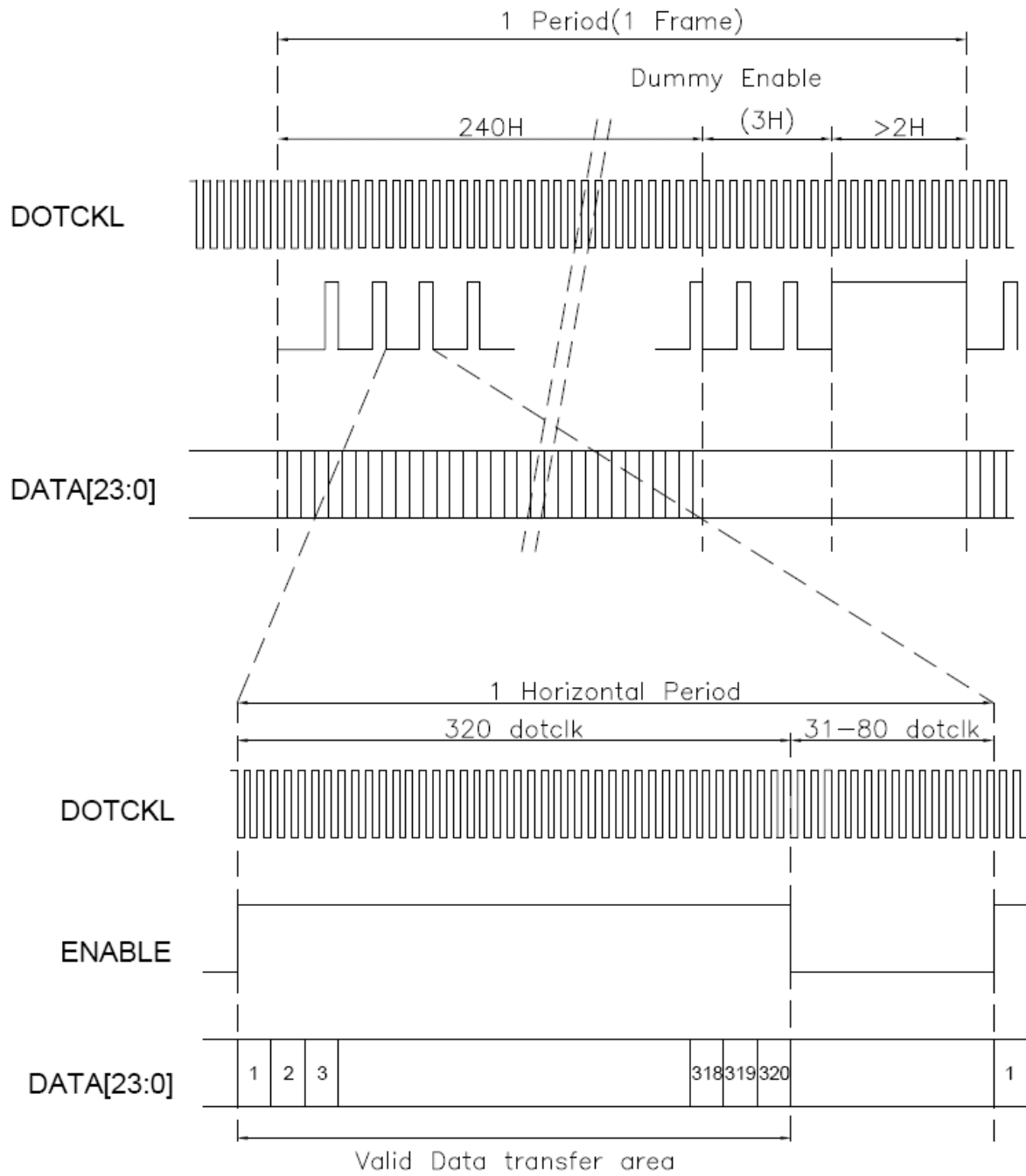
PARAMETER	Symbol	Min.	Typ.	Max.	Unit
CLK period	T_{osc}	-	156	-	ns
Data setup time	T_{su}	12	-	-	ns
Data hold time	T_{hd}	12	-	-	ns
DEN pulse width	T_{ep}	-	320	-	T_{osc}
DEN-STH time	T_{des}	-	1	-	T_{osc}

11.2 Waveform

11.2.1 Clock and Data Waveform



11.2.2 DE Mode



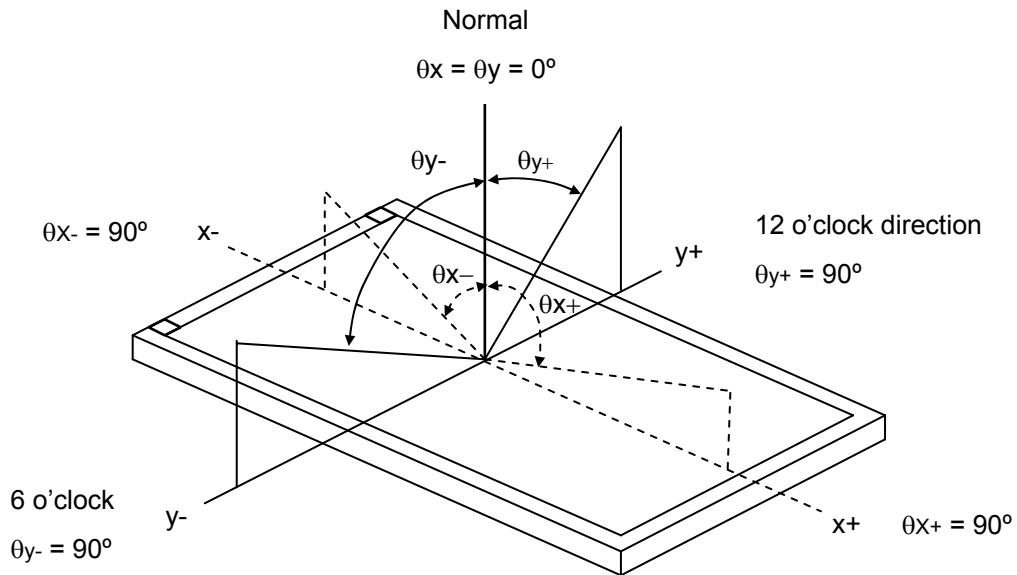
EVERVISION	MODEL NO.		PAGE
	VGG322404-6UFLWA	SPEC SAMPLE	13

12. Optical Characteristics

The optical characteristics should be measured in a dark environment (≤ 1 lux) or equivalent state with the methods shown in Note (4).

Item		Symbol	Conditions	Min.	Typ.	Max.	Unit	Note	
Contrast Ratio		CR	$\theta_x=0^\circ, \theta_y=0^\circ$ Viewing Normal Angle	200	350	-	-	(2)	
Response Time		T_R		-	15	-	ms	(3)	
		T_F		-	35	-	ms		
Luminance(Center)		Y		300	(350)	-	cd/m ²	(4)	
Brightness uniformity		BUNI		80	-	-	%	(5)	
Color Chromaticity	Red	Rx		$\theta_x=0^\circ, \theta_y=0^\circ$ Viewing Normal Angle	(0.590)	(0.640)	(0.690)	-	(1),(4)
		Ry			(0.294)	(0.344)	(0.394)	-	
	Green	Gx			(0.269)	(0.319)	(0.369)	-	
		Gy			(0.525)	(0.575)	(0.625)	-	
	Blue	Bx			(0.091)	(0.141)	(0.191)	-	
		By	(0.045)		(0.095)	(0.145)	-		
	White	Wx	(0.262)		(0.312)	(0.362)	-		
		Wy	(0.270)		(0.320)	(0.370)	-		
Viewing Angle	Horizontal	θ_{x+}	CR \geq 10	(55)	(60)	-	deg.		
		θ_{x-}		(55)	(60)	-			
	Vertical	θ_{y+}		(45)	(50)	-			
		θ_{y-}		(55)	(60)	-			

Note (1) Definition of Viewing Angle (θ_x , θ_y):



Note (2) Definition of Contrast Ratio (CR):

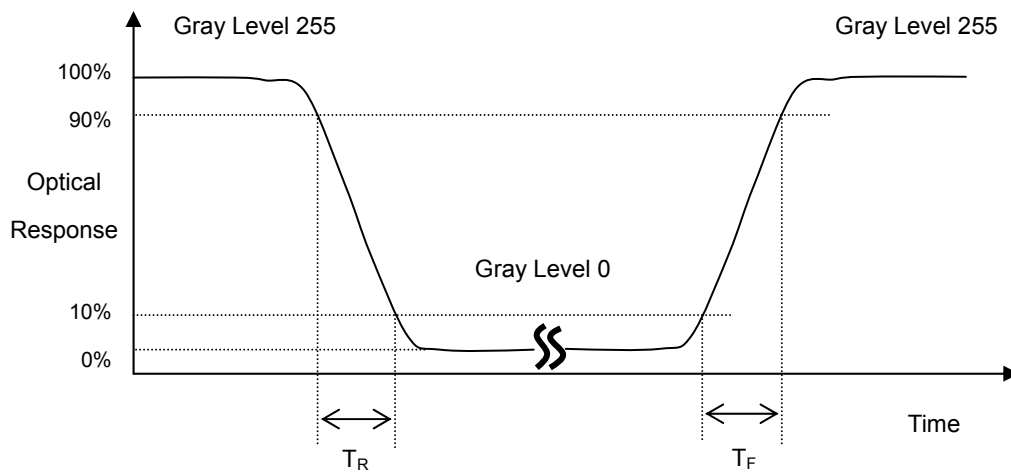
Measured at the center point of panel

$$\text{Contrast Ratio (CR)} = L_{255} / L_0$$

L_{255} : Luminance of gray level 255

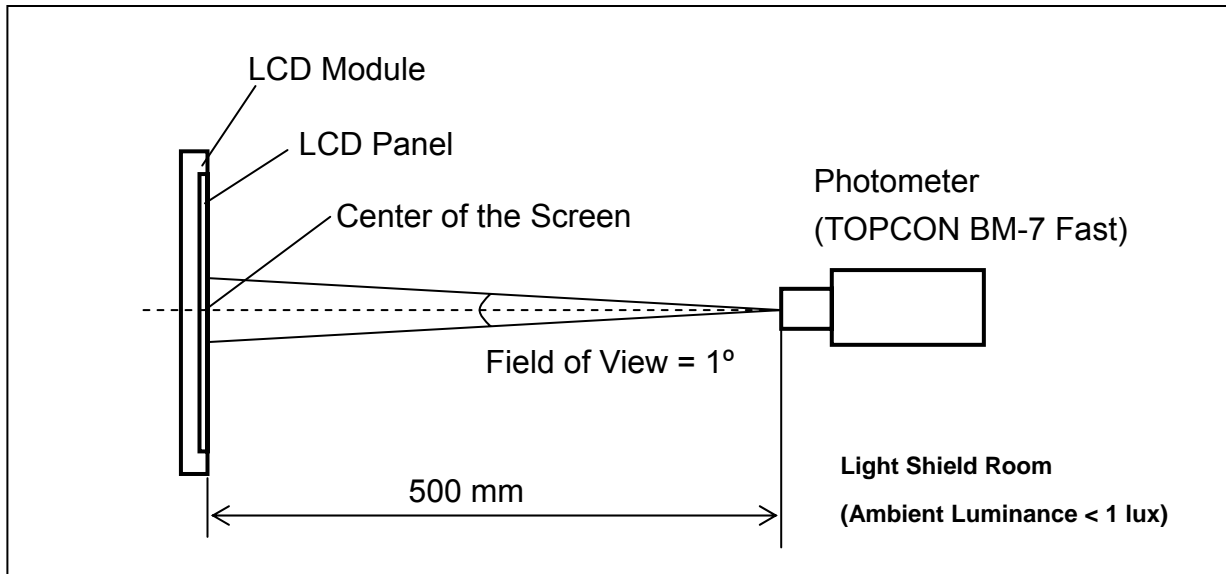
L_0 : Luminance of gray level 0.

Note (3) Definition of Response Time (T_R , T_F):



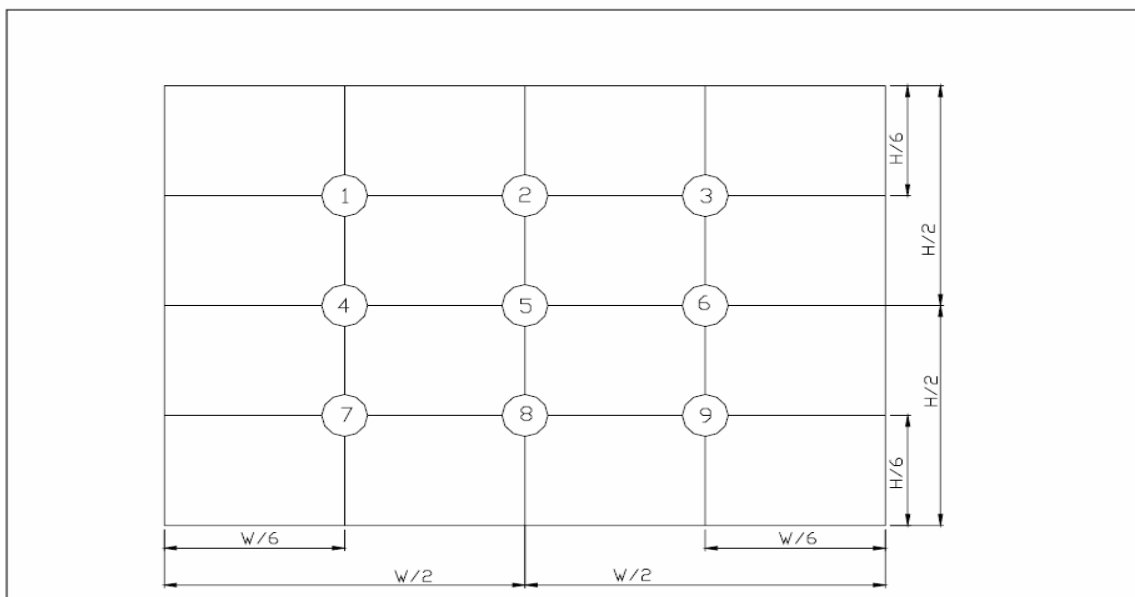
Note (4) Measurement Set-Up:

The LCD module should be stabilized at a given temperature for 30 minutes to avoid abrupt temperature change during measuring. In order to stabilize the luminance, the measurement should be executed after lighting Backlight for 30 minutes in a windless room.



Note (5) Definition of brightness uniformity

$$\text{Brightness uniformity} = (\text{Min Luminance of 9 points}) / (\text{Max Luminance of 9 points}) \times 100\%$$



(單位 : mm)

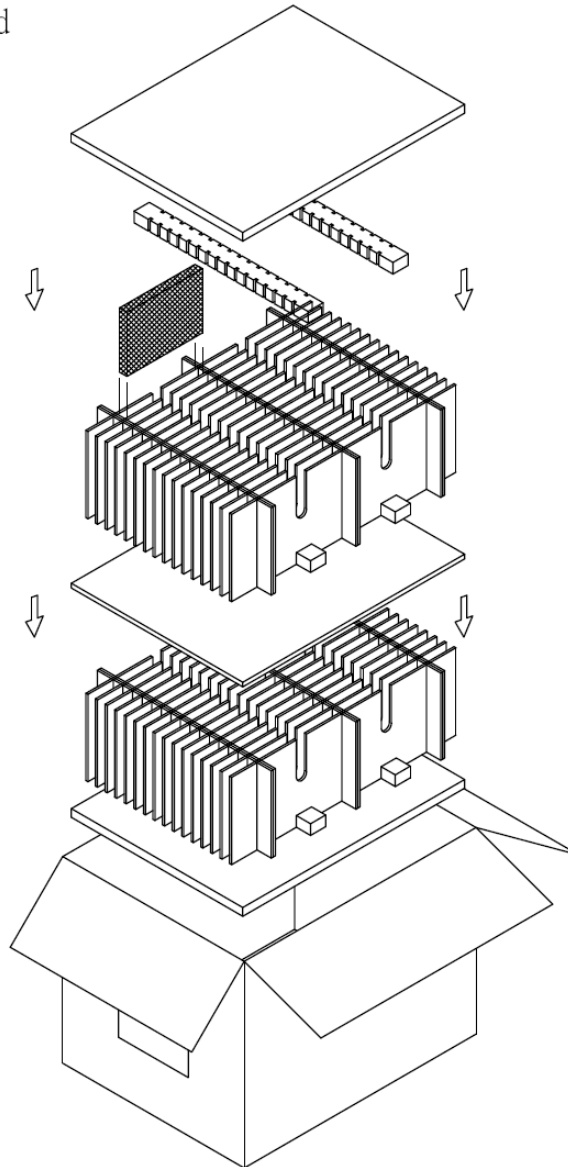
EVERVISION	MODEL NO.		PAGE
	VGG322404-6UFLWA	SPEC SAMPLE	16

13. Reliability Test

No.	Test Items	Test Condition	Remark
1	High Temperature Storage Test	T _a = 80°C 240 hours	-
2	Low Temperature Storage Test	T _a = -30°C 240 hours	-
3	High Temperature Operation Test	T _a = 70°C 240 hours	-
4	Low Temperature Operation Test	T _a = -20°C 240 hours	-
5	High Temperature and High Humidity Operation Test	T _a =60°C 90%RH 240 hours	-
6	Electro Static Discharge Test (non-operating)	-Panel Surface/Top Case : 150pF, 330Ω Air: ±15kV, Contact: ±8kV	-
7	Mechanical Shock Test (non-operating)	Half sine wave, 80G, 11ms 3 times shock of each six surfaces	-
8	Vibration Test (non-operating)	Sine wave, 10 ~ 55 ~ 10Hz, 3 axis, 2 hours/axis	-
9	Thermal Shock Test (non-operating)	-20°C (30min) ~ 70°C (30min), 100 cycles	-
10	Drop Test(with Carton)	Height: 80cm 1 corner, 3 edges, 6 surfaces	-

14. Packaging

Packing Method



PARTS LIST					
	ITEM	SIZE(LxWxH) unit:mm	MATERIAL	Q.T.Y	NOTE
1	STATIC SHIELDING BAGS	200.0x145.0*0.09		60	
2	PU FOAM	440.0x340.0x15.0	SPONGE	2	
3	EPE PAD	345.0x30.0x20.0		8	
4	CARD BOARD	345.0x150.0x3.5	CARTON	12	
5	CARD BOARD	450.0x150.0x3.5	CARTON	32	
6	CARD BOARD	440.0x340.0x8.0	CARTON	1	
7	EXTERNAL BOX	460.0x360.0x355.0	CARTON	1	
8	PRODUCT	167.0x109.0x8.9		60	

EVERVISION	MODEL NO.		PAGE
	VGG322404-6UFLWA	SPEC SAMPLE	18

15. Precautions

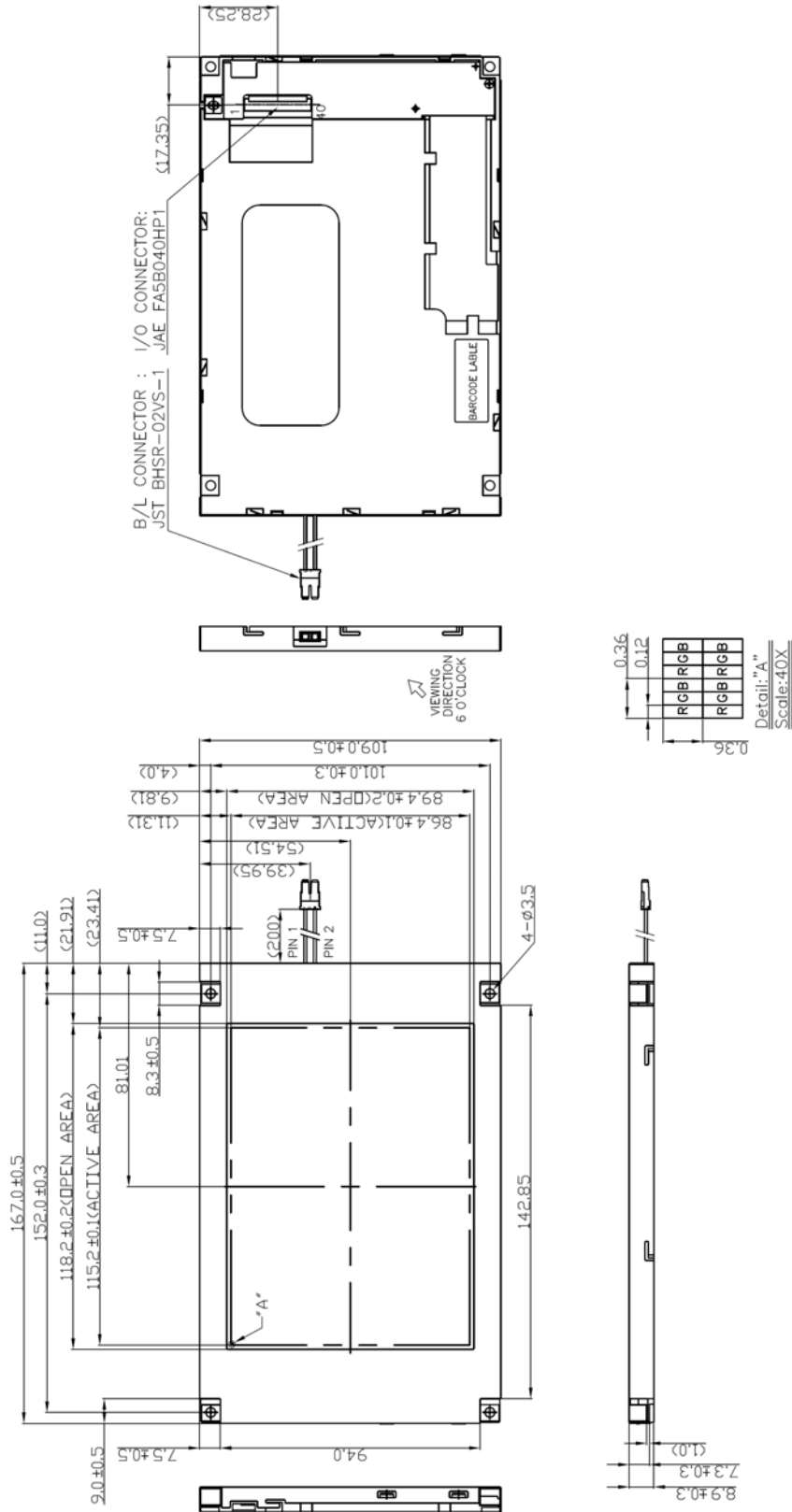
15.1 Assembly and Handling Precautions

- (1) Do not apply rough force such as bending or twisting to the module during assembly.
- (2) It's recommended to assemble or to install a module into the user's system in clean working areas. The dust and oil may cause electrical short or worsen the polarizer.
- (3) Don't apply pressure or impulse to the module to prevent the damage of LCD panel and Backlight.
- (4) Always follow the correct power-on sequence when the LCD module is turned on. This can prevent the damage and latch-up of the CMOS LSI chips.
- (5) Do not plug in or pull out the I/F connector while the module is in operation.
- (6) Do not disassemble the module.
- (7) Use a soft dry cloth without chemicals for cleaning, because the surface of polarizer is very soft and easily scratched.
- (8) Moisture can easily penetrate into LCD module and may cause the damage during operation.
- (9) High temperature or humidity may deteriorate the performance of LCD module. Please store LCD module in the specified storage conditions.
- (10) When ambient temperature is lower than 10°C, the display quality might be reduced. For example, the response time will become slow.

15.2 Safety Precautions

- (1) If the liquid crystal material leaks from the panel, it should be kept away from the eyes or mouth. In case of contact with hands, skin or clothes, it has to be washed away thoroughly with soap.
- (2) After the module's end of life, it is not harmful in case of normal operation and storage.

16.Outline Drawing



EVERVISION	MODEL NO.		PAGE
	VGG322404-6UFLWA	SPEC SAMPLE	20

17. Definition of Labels

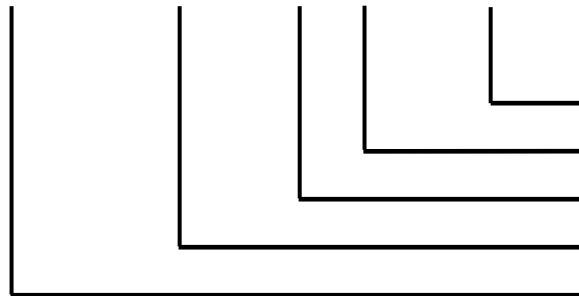
The bar code nameplate is pasted on each module as illustration, and its definitions are as following explanation.



(a) Module Name: VGG322404-6UFLWA

(b) Serial ID:

A B C D E F G H I J K L M



Serial No.
Revision Code
Factory Code
Manufactured Date
Screen Size

Serial ID includes the information as below:

(a) Screen size (Diagonal): Inch Code (ABCD)

3.5" → 0350

10.4" → 1040

(b) Manufactured Date: Year, Month, Day (EFG)

Year (E)

Year	2000	2001	2002	2003	2004	2005	2006	2007	2008	2009
Mark	0	1	2	3	4	5	6	7	8	9

EVERVISION	MODEL NO.		PAGE
	VGG322404-6UFLWA	SPEC SAMPLE	21

Month (F)

Month	Jan.	Feb.	Mar.	Apr.	May	Jun.	Jul.	Aug.	Sep.	Oct.	Nov.	Dec.
Mark	1	2	3	4	5	6	7	8	9	A	B	C

Day (G)

Day	1	2	3	4	5	6	7	8	9	10	11	12	13	14	15	16
Mark	1	2	3	4	5	6	7	8	9	A	B	C	D	E	F	G
Day	17	18	19	20	21	22	23	24	25	26	27	28	29	30	31	
Mark	H	I	J	K	L	M	N	O	P	Q	R	S	T	U	V	

(c) Factory Code (H):

For EVERVISION internal use.

(d) Revision Code (I):

Cover all the change, for example: 1: Rev.1, 2: Rev.2, 3: Rev.3...etc.

(e) Serial No. (JKLM):

Manufacturing sequence of product, for example: 0001~9999.

EVERVISION	MODEL NO.		PAGE
	VGG322404-6UFLWA	SPEC SAMPLE	22

18. Incoming Inspection Standards

18.1 The environmental condition of inspection

The environmental condition and visual inspection shall be conducted as below.

- (1) Ambient temperature $25 \pm 5^{\circ}\text{C}$
- (2) Humidity: $60 \pm 5\%$ RH
- (3) Viewing distance is approximately 35 ~ 40 cm
- (4) Viewing angle is normal to the LCD panel as Fig _1(10°)
- (5) Ambient Illumination: 300 ~ 500 Lux for external appearance inspection

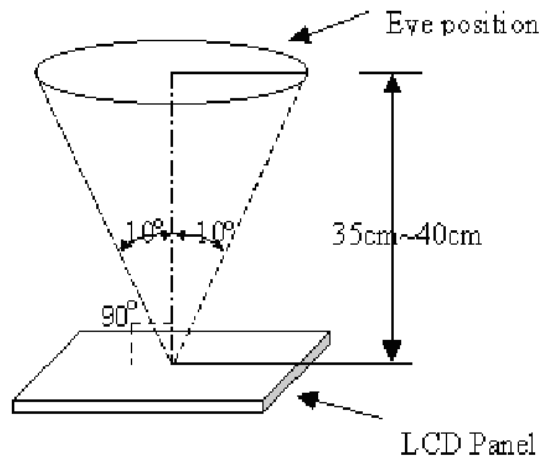


Fig _ 1

18.2 The defects classify of AQL as following:

Class of defects	AQL	Definition
Major	0.65%	It is defect that is likely to result in failure or to reduce materially the usability of the intended function.
Minor	1.5%	It is a defect that will not result in functioning problem with deviation classified.

EVERVISION	MODEL NO.		PAGE
	VGG322404-6UFLWA	SPEC SAMPLE	23

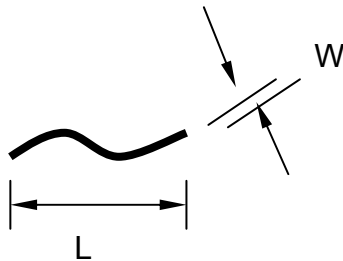
18.3 Inspection Parameters

Item		Specification/Description			Note	
Display	Function	No Display			-	
		Malfunction			-	
Operating	Contrast ratio	Out of Spec			-	
	Line defect	No obvious Vertical and Horizontal line defect in bright , dark and colored.			-	
	Point Defect (red,green,blue,dark)	Item	Acceptable number			Note: 1、2、5、6、7
			A	B	Total	
		BRIGHT DOT	$N \leq 2$	$N \leq 2$	$N \leq 7$	
		DARK DOT	$N \leq 3$	$N \leq 4$		
		TOTAL DOT	$N \leq 4$	$N \leq 5$		
TWO ADJACENT DOT	NOT ALLOWED					
THREE OR MORE ADJACENT DOT	NOT ALLOWED					
External Inspection (non-operating)	Scratch on the polarizer	L(mm)	W(mm)	Acceptable number	Note:3	
		$L \leq 2.5$	$W \leq 0.1$	4		
		$L > 2.5$	$W > 0.1$	0		
	Dent or bubble on the polarizer	Dimension(mm)	Acceptable number			Note:4
		$D \leq 0.5$	4			
		$D \leq 0.15$	Disregard			
	Foreign material on the polarizer	Dimension(mm)	Acceptable number			Note:4
		$D \leq 0.5$	4			
		$D \leq 0.15$	Disregard			

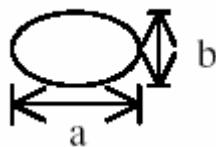
Note1. Distance between point defect distance should be large than 5 mm.

Note2. The definition of dot defect : The dot defect was judged after repair and the size of a defective dot over 1/2 of whole dot is regarded as one defective dot.

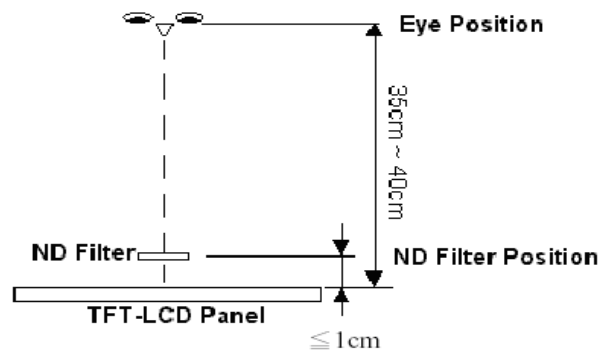
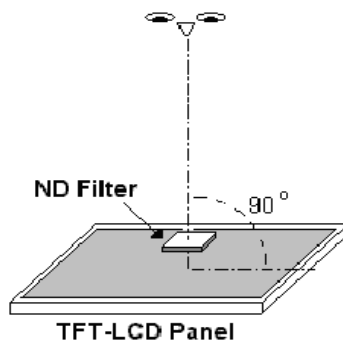
Note3.



Note4. D : Diameter $D=(a+b)/2$



Note5. Bright dot is defined through 6% transmission ND Filter as following.

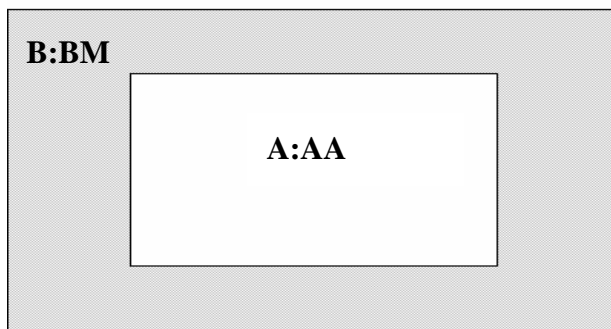


EVERVISION	MODEL NO.		PAGE
	VGG322404-6UFLWA	SPEC SAMPLE	25

Note6. ADJACENT DOT



Note7.



18.4 Handling of LCM

- (1) Don't give external shock.
- (2) Don't apply excessive force on the surface.
- (3) Liquid in LCD is hazardous substance. Must not lick and swallow. when the liquid is attach to your hand, skin, cloth etc. Wash it out thoroughly and immediately.
- (4) Don't operate it above the absolute maximum rating.
- (5) Don't disassemble the LCM.