

# 億力光電股份有限公司

## EVERVISION ELECTRONICS CO., LTD.

### Product Specification For LCD Module

(KVPF-7B-002-16)

Model NO. : VGG804805-6UFLWC(RoHS)

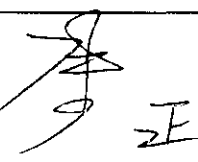
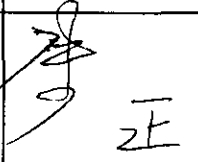
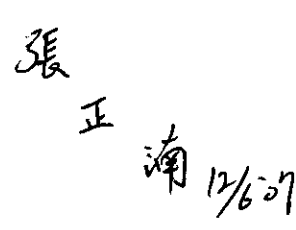
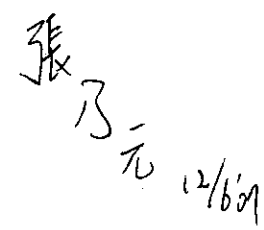
REVISION : 1

APPROVAL FOR SPECIFICATIONS ONLY

APPROVAL FOR SPECIFICATIONS AND SAMPLE

<b>CUSTOMER :</b>  STD.	<b>APPROVED BY :</b>
-------------------------------	----------------------

### EVERVISION LCM R&D CENTER

APPROVED BY	CHECKED BY	PREPARED BY	
 Zhang Zheng 12/6/07	 Zhang Zheng 12/6/07	 Zhang Zheng Nan 12/6/07	 Zhang Zheng Yuan 12/6/07
<b>DIRECTOR</b>	<b>MANAGER</b>	<b>Mechanism Engineer</b>	<b>Electronic Engineer</b>

億力光電股份有限公司總公司  
EVERVISION ELECTRONICS LTD.  
台北縣中和市建一路 186 號 12 樓  
12F, NO. 186, JIAN 1st RD., CHUNG HO CITY,  
TAIPEI HSIEN, TAIWAN, R.O.C  
TEL : +886 2 8227-2788  
FAX : +886 2 8227-2789

億力光電股份有限公司台中分公司  
EVERVISION ELECTRONICS(T.C) LTD.  
台中縣潭子鄉台中加工出口區建國路 19 號  
NO.19, CHIEN KUO ROAD, T.E.P.Z TANTZE  
427 TAICHUNG HSIEN TAIWAN R.O.C  
TEL : +886 4 2532-8889  
FAX : +886 4 2532-6689

東莞莞城德寶電子廠  
EVERVISION ELECTRONICS(B.V.I) LTD.  
廣東省東莞市城區東縱大道天寶路 9 號  
NO.9, Tian Bao Rd., Dong Zong St., Dong Guan City  
Guang Dong, China.  
TEL : +86 769 2220 5258  
FAX : +86 769 2220 7258

勁佳光電(昆山)有限公司  
EVERVISION ELECTRONICS(KUNSHAN) LTD.  
江蘇省昆山市玉山鎮高科技工業園城北路 8 號  
NO.8, Chengbei Rd., Hi-Tech Industry Park,  
Yushan Town, Kunshan City, Jiangsu, China.  
TEL : +86 512 5778 7288  
FAX : +86 512 5777 0688

<http://www.evervisionlcd.com>

<b>EVERVISION</b>	<b>MODEL NO.</b>		<b>PAGE</b>
	VGG804805-6UFLWC	SPEC SAMPLE	2

## 1. Table of Contents

<b>No.</b>	<b>Contents</b>	<b>Page</b>
1	Table of Contents	2
2	Record of Revisions	3
3	Module Numbering System	4
4	Application	5
5	Features	5
6	General Specifications	5
7	Absolute Maximum Ratings	6
8	Electrical Characteristics	7
9	Block Diagram	9
10	Input / Output Terminals Pin Assignment	10
11	Interface Timing	13
12	Optical Characteristics	15
13	Reliability Test	18
14	Packaging	19
15	Precautions	20
16	Outline Drawing	22
17	Definition of Labels	23
18	Incoming Inspection Standards	25



<b>EVERVISION</b>	<b>MODEL NO.</b>		<b>PAGE</b>
	VGG804805-6UFLWC	SPEC SAMPLE	4

### 3. Module Numbering System

**V G G 8048 05 – 6 U F L W C**

Serial No.: A~Z

**Backlight Color:**

**N:** Without Backlight;  
**A:** Amber; **B:** Blue; **G:** Green;  
**L:** Yellow; **O:** Orange; **R:** Red;  
**W:** White; **Y:** Yellow Green;  
**X:** Others

**Backlight Type:**

**N:** Without Backlight; **E:** EL; **F:** CCFL;  
**L:** General LED; **H:** High NTSC LED ;  
**R:** RGB LED; **X:** Others

**LCD Model:**

**T:** TN; **H:** HTN; **G:** STN Gray; **Y:** STN Yellow;  
**B:** STN Blue; **W:** FSTN Black/White;  
**C:** CSTN; **F:** TFT; **O:** OLED; **P:** PLED;  
**L:** LTPS; **N:** Others

**LCD Type:**

**R:** Reflective/Positive;  
**S:** Reflective/Negative ;  
**F:** Transflective/Positive ;  
**G:** Transflective/Negative ;  
**U:** Transmissive/Positive ;  
**T:** Transmissive/Negative ; **N:** Others

**Temperature Range & View Direction:**

General Purpose : **1:**6H **2:**12H **3:**3H **4:**9H **5:**Others  
High Performance: **6:**6H **7:**12H **8:**3H **9:**9H **0:**Others

STD Product Serial No.: 01~99

Customer Made Serial No.: A1,A2... A9,B1,B2... B9,C1..

**Display Function:**

Segment Number / Characters Lines / Column and Row Dots  
/ Length \* Width of Other

**Display Type:**

**C:**Character Type; **G:**Graphic Type; **S:**Segment Type; **O:**Other

**Package Type:**

**B:**COB; **F:**COF; **G:**COG; **H:**Heat Seal; **S:**SMT; **T:**TAB; **O:**Others

EVERVISION	MODEL NO.		PAGE
	VGG804805-6UFLWC	SPEC SAMPLE	5

#### 4. Application

This specification is applied to the 7 inch WVGA supported TFT-LCD module, and can display true 262,144 colors(6 bit/ color). The module is designed for OA, Car TV application and other electronic products which require flat panel display of digital signal interface. This module is composed of a 7" TFT-LCD panel, a driver circuit and LED backlight unit and used as the input devices for general electric appliances via both finger and pen-entry.

#### 5. Features

- WVGA (800×480 pixels) resolution.
- Digital 18 bit parallel RGB.
- Dot inversion mode with stripe type.
- Transparent Touch panel
  - 4-Wire
  - Analog Resistive

#### 6. General Specifications

Item	Specifications	Unit
Screen Size	7 (Diagonal)	inch
Display Format	800RGB(H)×480(V)	dot
Active Area	152.4(H)×91.44(V)	mm
Dot Size	0.0635(H)×0.1905(V)	mm
Pixel Configuration	RGB Vertical Stripe	-
Display Mode	TN Type Transmissive Mode Normally White	-
Surface Treatment	Anti-Glare	-
Viewing Direction	6 O'clock (The Gray Inversion will appear at this direction)	-
Outline Dimension	166.6(W)×107.0(H)×11.5(D)	mm
Weight	(215)	g

EVERVISION	MODEL NO.		PAGE
	VGG804805-6UFLWC	SPEC SAMPLE	6

## 7. Absolute Maximum Ratings

### 7.1 Absolute Ratings of Environment

Item	Symbol	Value		Unit	Note
		Min.	Max.		
Storage Temperature	T <sub>ST</sub>	-30	+80	°C	(1)
Operating Ambient Temperature	T <sub>OP</sub>	-20	+70	°C	(1)

Note (1) Temperature and relative humidity range are shown in the figure below.

(a) 85%RH Max. ( $T_a \leq 40^\circ\text{C}$ ).

(b) Wet-bulb temperature should be 39°C Max. ( $T_a > 40^\circ\text{C}$ ).

(c) No condensation.

### 7.2 Electrical Absolute Ratings

#### 7.2.1 TFT-LCD Module

( $T_a = 25 \pm 2^\circ\text{C}$ , GND=VSS=0V)

Item	Symbol	Value		Unit	Note
		Min.	Max.		
Digital Power Supply Voltage	VCC	-0.3	4.3	V	-

#### 7.2.2 Backlight Unit

( $T_a = 25 \pm 2^\circ\text{C}$ )

Item	Symbol	Value		Unit	Note
		Min.	Max.		
Current of Backlight Unit	I <sub>B</sub>	-	250	mA	(1)
Voltage of Backlight Unit	V <sub>B</sub>	-	15	V	(1)

Note (1) Permanent damage to the device may occur if maximum values are exceeded or reverse voltage is loaded.

EVERVISION	MODEL NO.		PAGE
	VGG804805-6UFLWC	SPEC SAMPLE	7

## 8. Electrical Characteristics

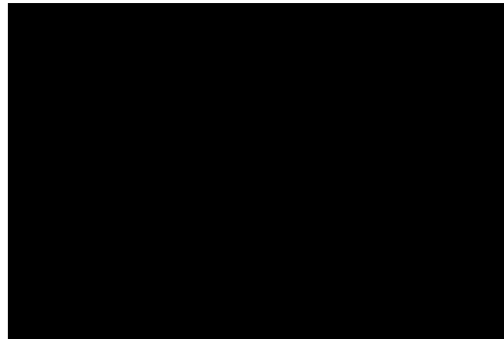
### 8.1 TFT-LCD Module

(Ta=25±2°C)

Item	Symbol	Value			Unit	Note
		Min.	Typ.	Max.		
Power Supply Voltage	VCC	3.0	3.3	3.6	V	-
Power Supply Current	ICC	-	450	585	mA	(1)
Input High Threshold Voltage	VIH	0.7VCC	-	VCC	V	-
Input Low Threshold Voltage	VIL	0	-	0.3VCC	V	-
Power Consumption	P <sub>L</sub>	-	1.485	1.931	W	(1)
VSYNC Frequency	F <sub>V</sub>	-	60	75	Hz	-
HSYNC Frequency	F <sub>h</sub>	-	31.6	39.2	KHz	
DCLK Frequency	DCLK	-	33.3	40	MHz	-

Note (1) The specified power consumption is under the conditions at VCC=3.3V, F<sub>V</sub>=60Hz, whereas a power dissipation check pattern below is displayed.

Black Pattern / 0 Gray



Active Area

### 8.2 Backlight Unit

(Ta=25±2°C)

Item	Symbol	Value			Unit	Note
		Min.	Typ.	Max.		
Current of Backlight Unit	I <sub>B</sub>	-	200	-	mA	-
Voltage of Backlight Unit	V <sub>B</sub>	-	9.9	-	V	I <sub>B</sub> =200mA
Power Consumption	P <sub>BL</sub>	-	(1.98)	-	W	I <sub>B</sub> =200mA
LED Life Time(25°C)		40000	-	-	hr	(1)

Note (1) : LED life time is defined as under 25±2°C , when the average brightness decrease to 50% of original brightness

### 8.3 Transparent Touch panel

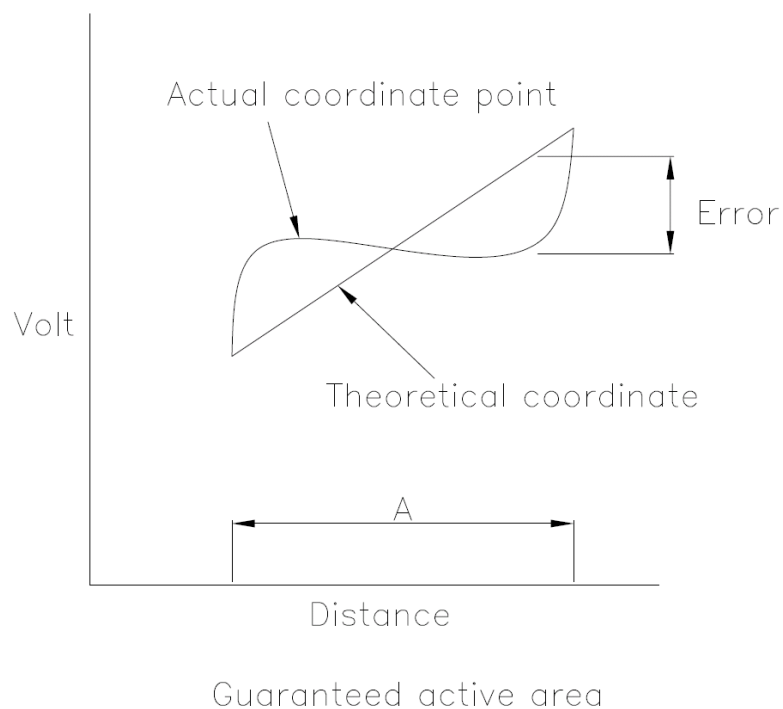
#### Electrical characteristics

Item		Value			Unit	Note
		Min.	Typ.	Max.		
Operating Voltage		-	5	7	V	-
Terminal Resistance	X-direction	120	-	390	$\Omega$	At connector
	Y-direction	620	-	1070	$\Omega$	At connector
Insulation Resistance		$\geq 20M\Omega$				At DC25V
Chatting		$\leq 10$ ms Max				At connector
Linearity		$\leq 1.5\%$				(1)

Note(1): Measurement condition of Linearity

Difference between actual voltage & Theoretical voltage is an error at any points.

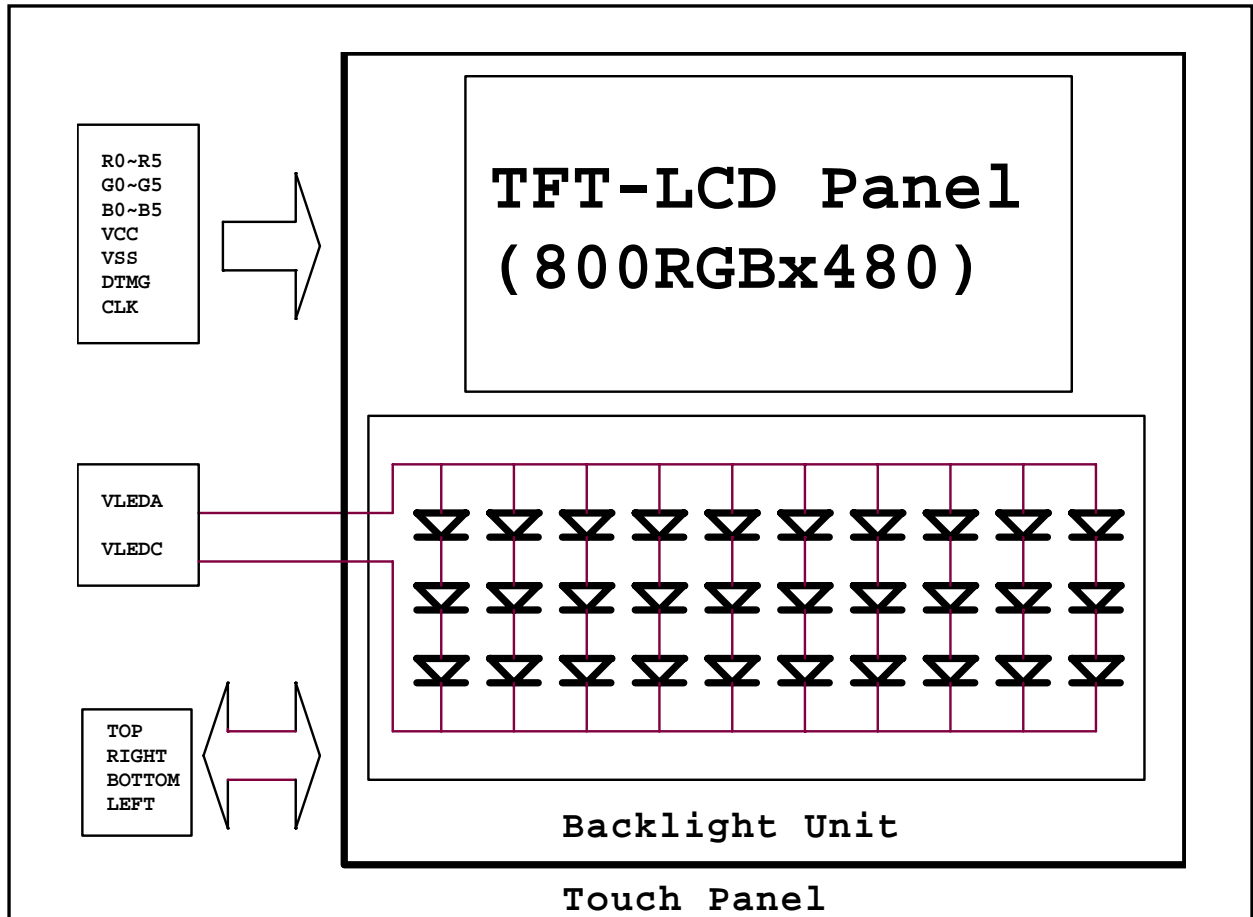
Linearity is the value max. Error voltage divided by voltage difference on active area.





### 9. Block Diagram

#### 9.1 TFT-LCD Module with Backlight Unit



## 10. Input / Output Terminals Pin Assignment

### 10.1 TFT-LCD Module

Connector: JAE FA5B040HP1

Pin No.	Symbol	I/O	Description
1	VCC	I	+3.3V power supply
2	VCC	I	+3.3V power supply
3	VCC	I	+3.3V power supply
4	VCC	I	+3.3V power supply
5	NC	I	No Connect
6	DTMG	I	Display Timing
7	VSS	I	Ground
8	NC	I	No Connect
9	VSS	I	Ground
10	NC	I	No Connect
11	VSS	I	Ground
12	B5	I	Blue data(MSB)
13	B4	I	Blue data
14	B3	I	Blue data
15	VSS	I	Ground
16	B2	I	Blue data
17	B1	I	Blue data
18	B0	I	Blue data(LSB)
19	VSS	I	Ground
20	G5	I	GREEN data(MSB)
21	G4	I	GREEN data
22	G3	I	GREEN data
23	VSS	I	Ground
24	G2	I	GREEN data
25	G1	I	GREEN data
26	G0	I	GREEN data(LSB)
27	VSS	I	Ground
28	R5	I	RED data(MSB)
29	R4	I	RED data
30	R3	I	RED data

Pin No.	Symbol	I/O	Description
31	VSS	I	Ground
32	R2	I	RED data
33	R1	I	RED data
34	R0	I	RED data (LSB)
35	NC	I	No Connect
36	VSS	I	Ground
37	VSS	I	Ground
38	DCLK		Dot Clock
39	VSS	I	Ground
40	VSS	I	Ground

## 10.2 Backlight Unit

Connector: JST BHSR-02VS-1(N)

Pin No.	Symbol	I/O	Description	Wire Color
1	VLEDA	I	Backlight LED Anode.	Red
2	VLEDC	I	Backlight LED Cathode.	Black

## 10.3 Transparent Touch Panel

Connector: CVILUX CF25041D0R0-10

Pin No.	Symbol
1	RIGHT
2	TOP
3	LEFT
4	BOTTOM

### 10.4 Color Data Input Assignment

The brightness of each primary color(red, green and blue) is based on the 6 bit gray scale data input for the color. The higher the binary input, the brighter the color. The table provides the assignment of color versus data input.

Color		Data Signal																	
		Red						Green						Blue					
		D05	D04	D03	D02	D01	D00	D15	D14	D13	D12	D11	D10	D25	D24	D23	D22	D21	D20
Basic Colors	Black	0	0	0	0	0	0	0	0	0	0	0	0	0	0	0	0	0	0
	Red	1	1	1	1	1	1	0	0	0	0	0	0	0	0	0	0	0	0
	Green	0	0	0	0	0	0	1	1	1	1	1	1	0	0	0	0	0	0
	Blue	0	0	0	0	0	0	0	0	0	0	0	0	1	1	1	1	1	1
	Cyan	0	0	0	0	0	0	1	1	1	1	1	1	1	1	1	1	1	1
	Magenta	1	1	1	1	1	1	0	0	0	0	0	0	1	1	1	1	1	1
	Yellow	1	1	1	1	1	1	1	1	1	1	1	1	0	0	0	0	0	0
	White	1	1	1	1	1	1	1	1	1	1	1	1	1	1	1	1	1	1
Gray Scale Of RED	Red(0) / Dark	0	0	0	0	0	0	0	0	0	0	0	0	0	0	0	0	0	0
	Red(1)	0	0	0	0	0	1	0	0	0	0	0	0	0	0	0	0	0	0
	Red(2)	0	0	0	0	1	0	0	0	0	0	0	0	0	0	0	0	0	0
	:	:	:	:	:	:	:	:	:	:	:	:	:	:	:	:	:	:	:
	:	:	:	:	:	:	:	:	:	:	:	:	:	:	:	:	:	:	:
	:	:	:	:	:	:	:	:	:	:	:	:	:	:	:	:	:	:	:
	Red(61)	1	1	1	1	0	1	0	0	0	0	0	0	0	0	0	0	0	0
	Red(62)	1	1	1	1	1	0	0	0	0	0	0	0	0	0	0	0	0	0
Red(63)	1	1	1	1	1	1	0	0	0	0	0	0	0	0	0	0	0	0	
Gray Scale Of Green	Green(0) / Dark	0	0	0	0	0	0	0	0	0	0	0	0	0	0	0	0	0	0
	Green(1)	0	0	0	0	0	0	0	0	0	0	1	0	0	0	0	0	0	0
	Green(2)	0	0	0	0	0	0	0	0	0	0	1	0	0	0	0	0	0	0
	:	:	:	:	:	:	:	:	:	:	:	:	:	:	:	:	:	:	:
	:	:	:	:	:	:	:	:	:	:	:	:	:	:	:	:	:	:	:
	:	:	:	:	:	:	:	:	:	:	:	:	:	:	:	:	:	:	:
	Green(61)	0	0	0	0	0	0	1	1	1	1	0	1	0	0	0	0	0	0
	Green(62)	0	0	0	0	0	0	1	1	1	1	1	0	0	0	0	0	0	0
Green(63)	0	0	0	0	0	0	1	1	1	1	1	1	0	0	0	0	0	0	
Gray Scale Of Blue	Blue(0) / Dark	0	0	0	0	0	0	0	0	0	0	0	0	0	0	0	0	0	0
	Blue(1)	0	0	0	0	0	0	0	0	0	0	0	0	0	0	0	0	0	1
	Blue(2)	0	0	0	0	0	0	0	0	0	0	0	0	0	0	0	0	1	0
	:	:	:	:	:	:	:	:	:	:	:	:	:	:	:	:	:	:	:
	:	:	:	:	:	:	:	:	:	:	:	:	:	:	:	:	:	:	:
	:	:	:	:	:	:	:	:	:	:	:	:	:	:	:	:	:	:	:
	Blue(61)	0	0	0	0	0	0	0	0	0	0	0	1	1	1	1	1	0	1
	Blue(62)	0	0	0	0	0	0	0	0	0	0	0	1	1	1	1	1	1	0
Blue(63)	0	0	0	0	0	0	0	0	0	0	0	1	1	1	1	1	1	1	

EVERVISION	MODEL NO.		PAGE
	VGG804805-6UFLWC	SPEC SAMPLE	13

## 11. Interface Timing

### 11.1 Input Signal Characteristics

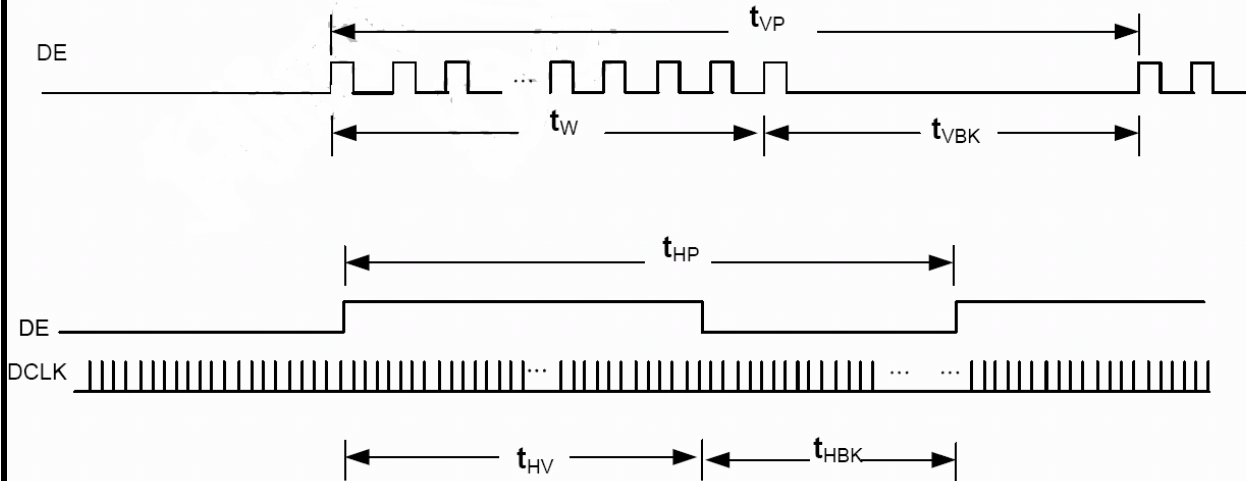
RESOLUTION :(800x480)

Item		Symbol	Min.	Typ.	Max.	Unit
DCLK	Period	$t_{CLK}$	25.0	37.0	50.0	ns
	Frequency	$f_{CLK}$	20.0	27.0	40.0	MHz
	Low Level Width	$t_{WCL}$	8	-	-	ns
	High Level Width	$t_{WCH}$	8	-	-	ns
	Rise, Fall Time	$t_{CLKr}, t_{CLKf}$	-	-	3	ns
	Duty <sup>(1)</sup>	-	0.45	0.50	0.55	-
DE (Data Enable)	Setup Time	$t_{DES}$	5	-	-	ns
	Hold Time	$t_{DEH}$	10	-	-	ns
	Rise, Fall Time	$t_{DEr}, t_{DEf}$	-	-	16	ns
	Horizontal Period	$t_{HP}$	832	900	1054	$t_{CLK}$
	Horizontal Valid	$t_{HV}$	800	800	800	$t_{CLK}$
	Horizontal Blank	$t_{HBK}$	32	100	254	$t_{CLK}$
	Vertical Period	$t_{VP}$	481	513	1023	$t_{HP}$
	Vertical Valid	$t_{W}$	480	480	480	$t_{HP}$
Vertical Blank	$t_{VBK}$	1	33	543	$t_{HP}$	
Data	Setup Time	$t_{DS}$	5	-	-	ns
	Hold Time	$t_{DH}$	10	-	-	ns
	Rise, Fall Time	$t_{Dr}, t_{Df}$	-	-	3	ns

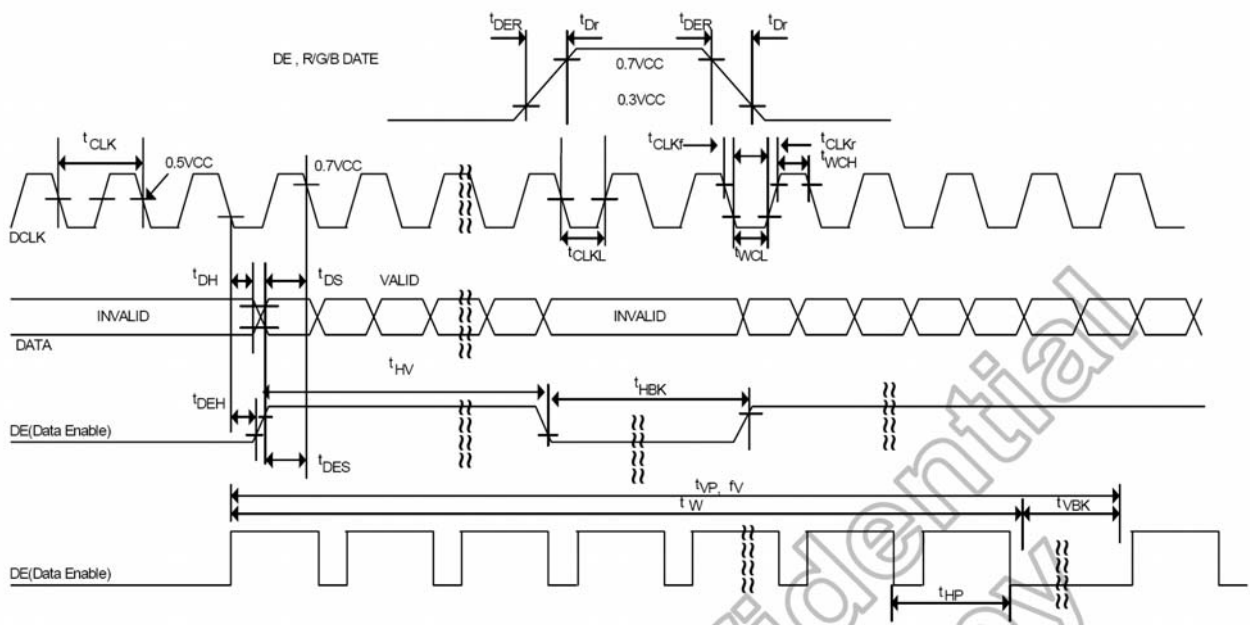
Note: (1)  $t_{CLKL} / t_{CLK}$ .

## 11.2 Waveform

### 11.2.1 De mode input waveforms



### 11.2.2 DE and RGB input data timing waveform



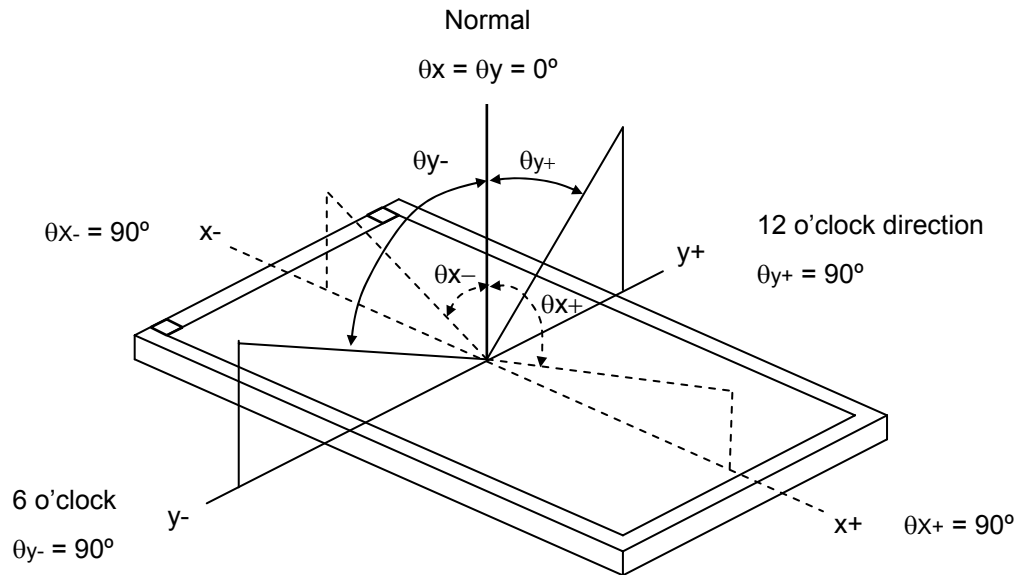
<b>EVERVISION</b>	<b>MODEL NO.</b>		<b>PAGE</b>
	VGG804805-6UFLWC	SPEC SAMPLE	15

## 12. Optical Characteristics

The optical characteristics should be measured in a dark environment ( $\leq 1$  lux) or equivalent state with the methods shown in Note (4).

Item		Symbol	Conditions	Min.	Typ.	Max.	Unit	Note	
Contrast Ratio		CR	$\theta_x=0^\circ, \theta_y=0^\circ$ Viewing Normal Angle	150	(250)	-	-	(2)	
Response Time		$T_R$		-	5	10	ms	(3)	
		$T_F$		-	15	20	ms		
Luminance(Center)		Y		240	(280)	-	cd/m <sup>2</sup>	(4)	
Brightness uniformity		BUNI		70	(75)	-	%	(5)	
Color Chromaticity	Red	Rx		$\theta_x=0^\circ, \theta_y=0^\circ$ Viewing Normal Angle	(0.481)	(0.531)	(0.581)	-	(1),(4)
		Ry			(0.373)	(0.423)	(0.473)	-	
	Green	Gx			(0.231)	(0.281)	(0.331)	-	
		Gy			(0.581)	(0.631)	(0.681)	-	
	Blue	Bx			(0.092)	(0.142)	(0.192)	-	
		By	(0.066)		(0.112)	(0.166)	-		
	White	Wx	(0.220)		(0.270)	(0.320)	-		
		Wy	(0.330)		(0.380)	(0.430)	-		
Viewing Angle	Horizontal	$\theta_{x+}$	CR $\geq$ 10	55	(65)	-	deg.		
		$\theta_{x-}$		55	(65)	-			
	Vertical	$\theta_{y+}$		45	(55)	-			
		$\theta_{y-}$		55	(65)	-			

Note (1) Definition of Viewing Angle ( $\theta_x$ ,  $\theta_y$ ):



Note (2) Definition of Contrast Ratio (CR):

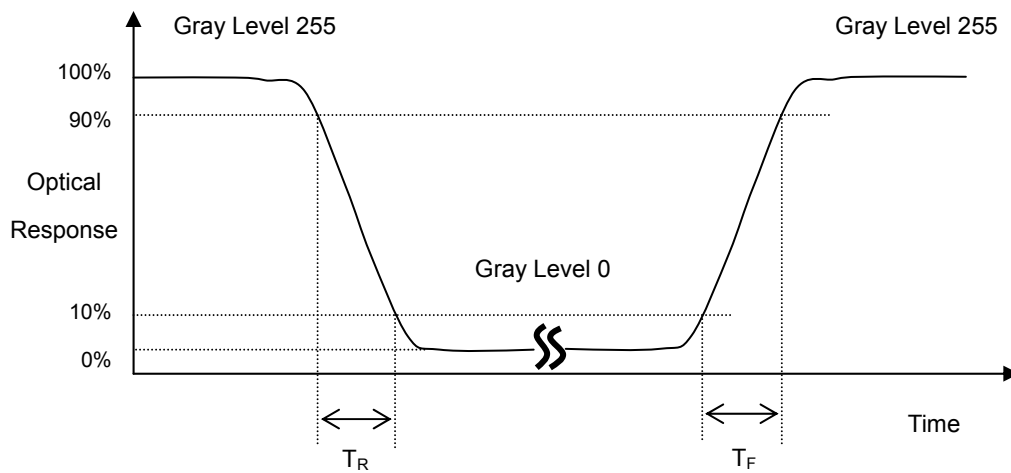
Measured at the center point of panel

$$\text{Contrast Ratio (CR)} = L_{255} / L_0$$

L255: Luminance of gray level 255

L 0: Luminance of gray level 0.

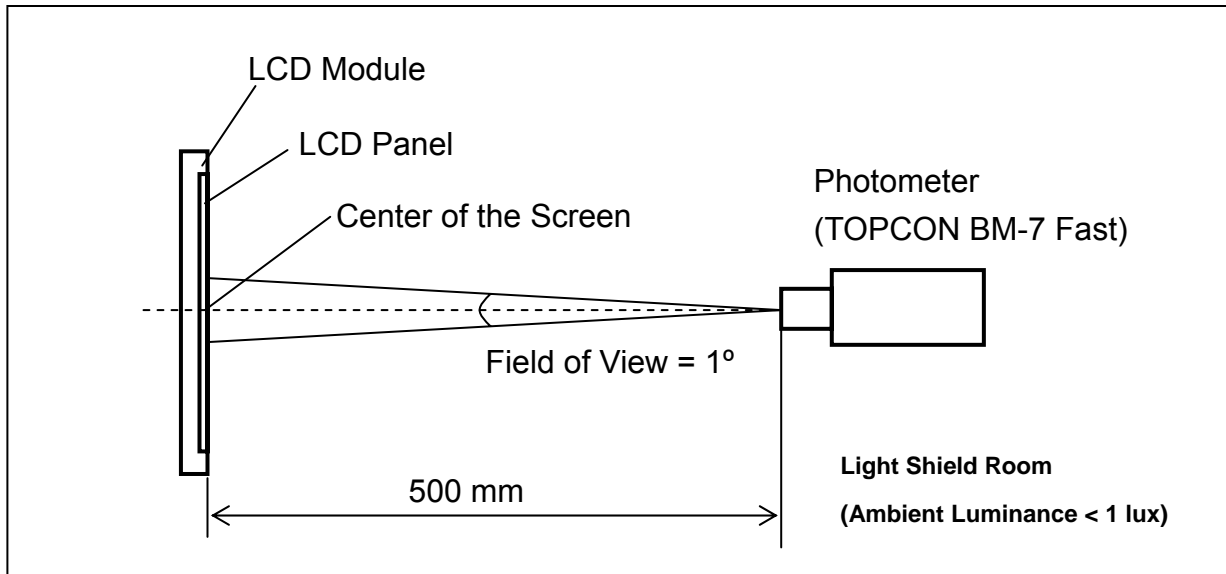
Note (3) Definition of Response Time ( $T_R$ ,  $T_F$ ):





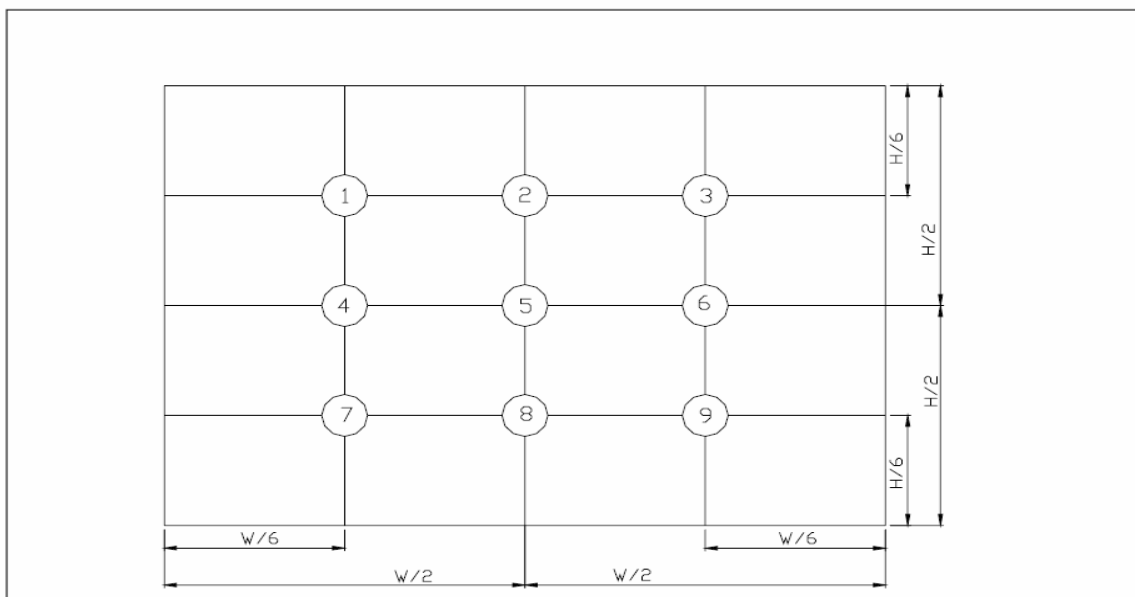
Note (4) Measurement Set-Up:

The LCD module should be stabilized at a given temperature for 30 minutes to avoid abrupt temperature change during measuring. In order to stabilize the luminance, the measurement should be executed after lighting Backlight for 30 minutes in a windless room.



Note (5) Definition of brightness uniformity

$$\text{Brightness uniformity} = (\text{Min Luminance of 9 points}) / (\text{Max Luminance of 9 points}) \times 100\%$$



( 單位 : mm )

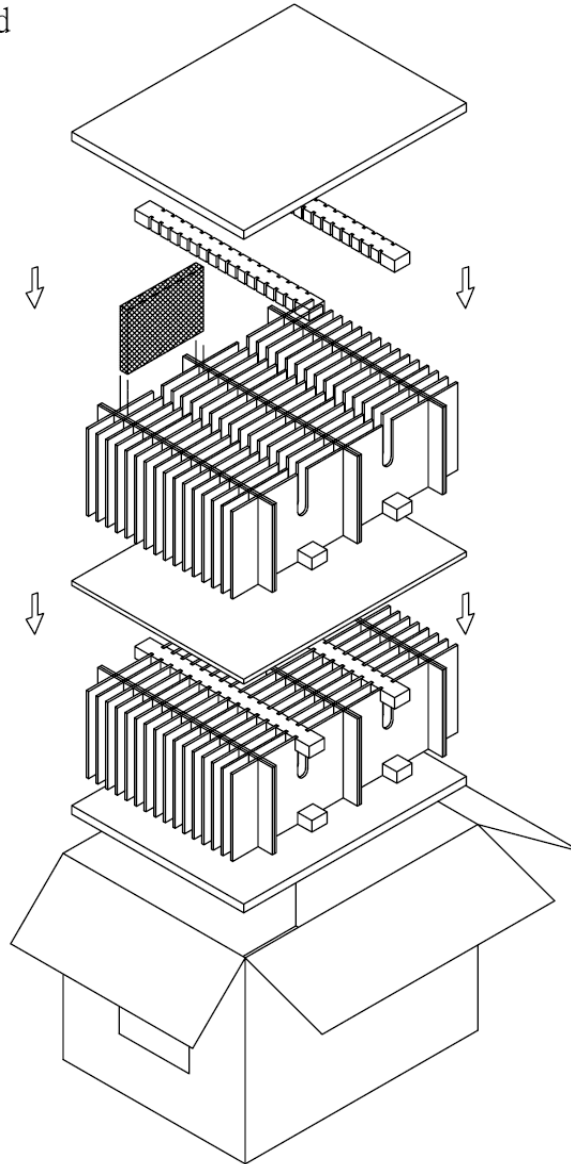
EVERVISION	MODEL NO.		PAGE
	VGG804805-6UFLWC	SPEC SAMPLE	18

### 13. Reliability Test

No.	Test Items	Test Condition	Remark
1	High Temperature Storage Test	T <sub>a</sub> = 80°C 240 hours	-
2	Low Temperature Storage Test	T <sub>a</sub> = -30°C 240 hours	-
3	High Temperature Operation Test	T <sub>a</sub> = 70°C 240 hours	-
4	Low Temperature Operation Test	T <sub>a</sub> = -20°C 240 hours	-
5	High Temperature and High Humidity Operation Test	T <sub>a</sub> =60°C 90%RH 240 hours	-
6	Electro Static Discharge Test (non-operating)	-Panel Surface/Top Case : 150pF, 330Ω Air: ±15kV, Contact: ±8kV	-
7	Mechanical Shock Test (non-operating)	Half sine wave, 80G, 11ms 3 times shock of each six surfaces	-
8	Vibration Test (non-operating)	Sine wave, 10 ~ 55 ~ 10Hz, 3 axis, 2 hours/axis	-
9	Thermal Shock Test (non-operating)	-20°C (30min) ~ 70°C (30min), 100 cycles	-
10	Drop Test(with Carton)	Height: 80cm 1 corner, 3 edges, 6 surfaces	-

## 14. Packaging

Packing Method



PARTS LIST					
	ITEM	SIZE(LxWxH) unit:mm	MATERIAL	Q.T.Y	NOTE
1	STATIC SHIEDING BAGS	200.0x145.0*0.09		60	
2	PU FOAM	440.0x340.0x15.0	SPONGE	2	
3	EPE PAD	345.0x30.0x20.0	EPE	8	
4	CARD BOARD	345.0x150.0x3.5	CARTON	6	
5	CARD BOARD	450.0x150.0x3.5	CARTON	32	
6	CARD BOARD	440.0x340.0x8.0	CARTON	1	
7	EXTERNAL BOX	460.0x360.0x355.0	CARTON	1	
8	PRODUCT	166.6x107.0x11.5		60	

EVERVISION	MODEL NO.		PAGE
	VGG804805-6UFLWC	SPEC SAMPLE	20

## 15. Precautions

### 15.1 Assembly and Handling Precautions

- (1) Do not apply rough force such as bending or twisting to the module during assembly.
- (2) It's recommended to assemble or to install a module into the user's system in clean working areas. The dust and oil may cause electrical short or worsen the polarizer.
- (3) Don't apply pressure or impulse to the module to prevent the damage of LCD panel and Backlight.
- (4) Always follow the correct power-on sequence when the LCD module is turned on. This can prevent the damage and latch-up of the CMOS LSI chips.
- (5) Do not plug in or pull out the I/F connector while the module is in operation.
- (6) Do not disassemble the module.
- (7) Use a soft dry cloth without chemicals for cleaning, because the surface of polarizer is very soft and easily scratched.
- (8) Moisture can easily penetrate into LCD module and may cause the damage during operation.
- (9) High temperature or humidity may deteriorate the performance of LCD module. Please store LCD module in the specified storage conditions.
- (10) When ambient temperature is lower than 10°C, the display quality might be reduced. For example, the response time will become slow.

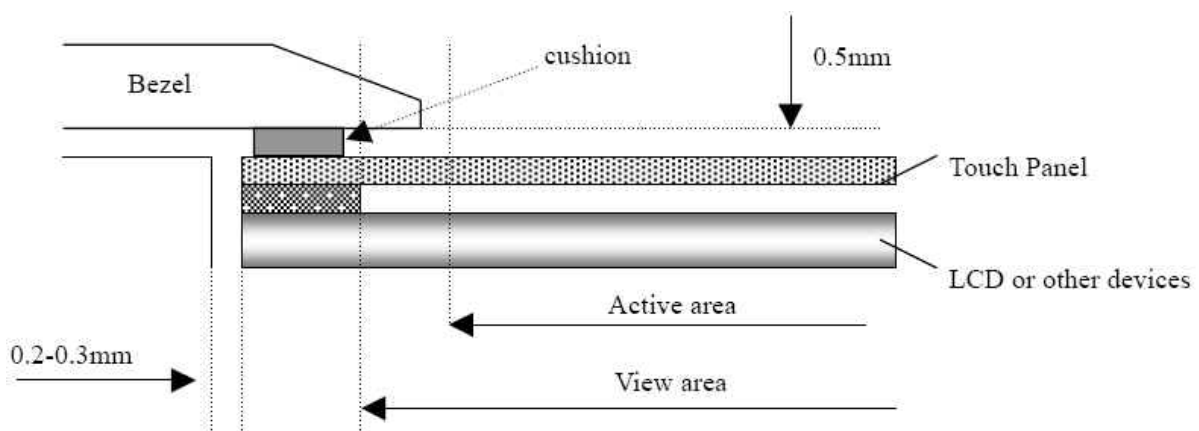
### 15.2 Safety Precautions

- (1) If the liquid crystal material leaks from the panel, it should be kept away from the eyes or mouth. In case of contact with hands, skin or clothes, it has to be washed away thoroughly with soap.
- (2) After the module's end of life, it is not harmful in case of normal operation and storage.

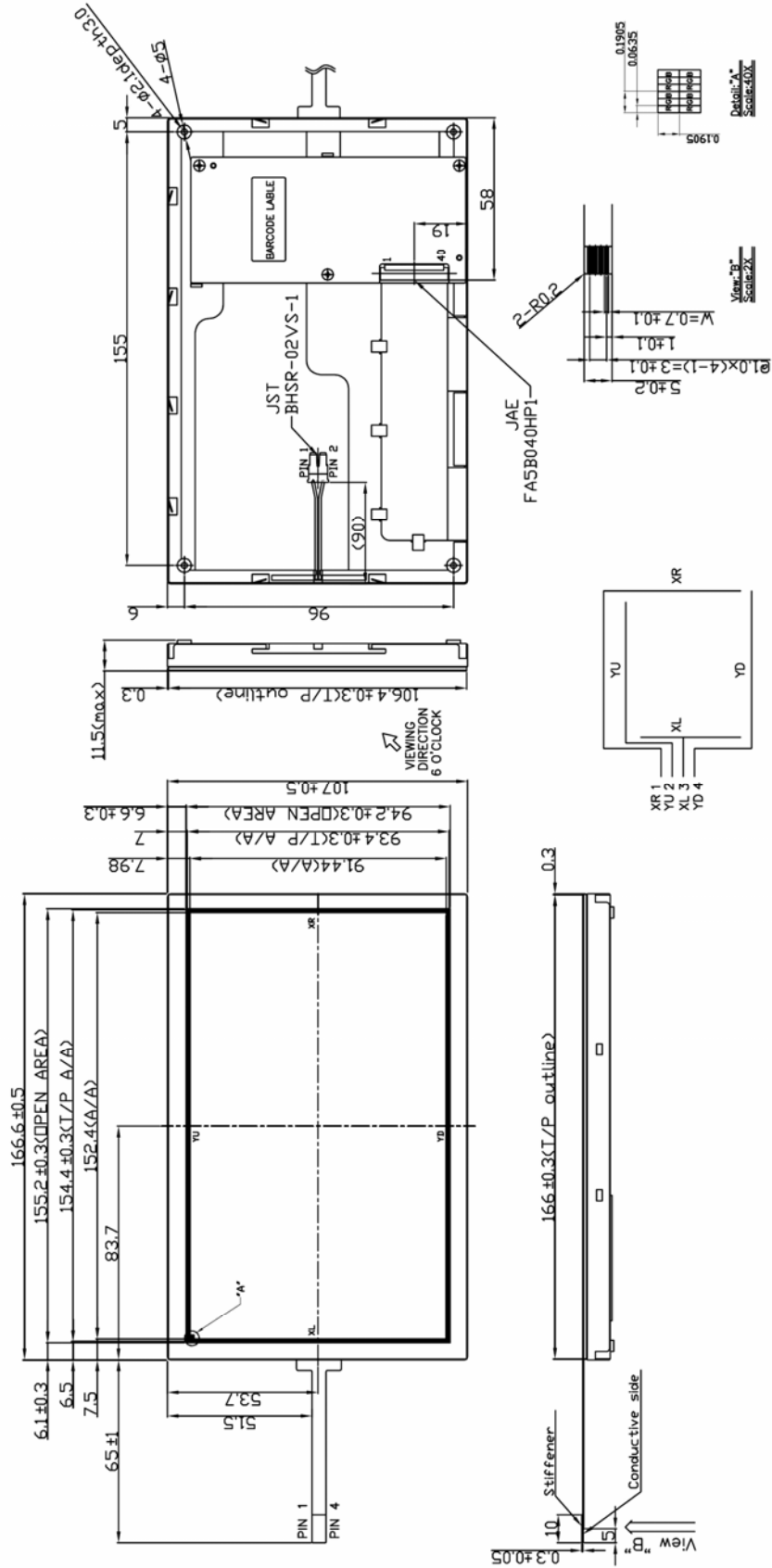
### 15.3 Cautions for installing and assembling

Bezel edge must be positioned in the area between the Active area and View area.

The bezel may press the touch screen and cause activation if the edge touches the active area. A gap of approximately 0.5mm is needed between the bezel and the top electrode. It may cause unexpected activation if the gap is too narrow. There is a tolerance of 0.2 to 0.3mm for the outside dimensions of the touch panel and tail. A gap must be made to absorb the tolerance in the case and connector.

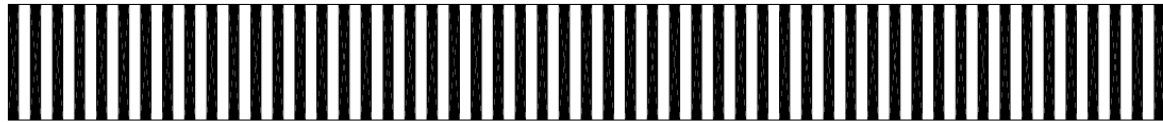


16.Outline Drawing

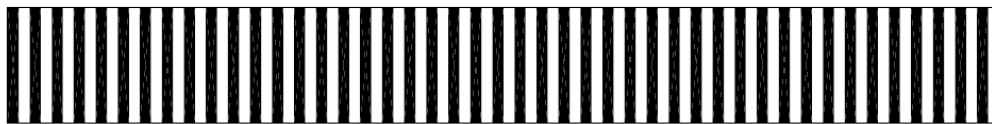


**17. Definition of Labels**

The bar code nameplate is pasted on each module as illustration, and its definitions are as following explanation.



VGG804805-6UFLWC

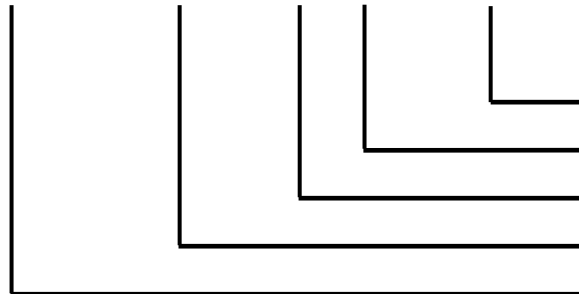


ABCDEFGHIJKLM

(a) Module Name: VGG804805-6UFLWC

(b) Serial ID:

A B C D E F G H I J K L M



Serial No.  
Revision Code  
Factory Code  
Manufactured Date  
Screen Size

Serial ID includes the information as below:

(a) Screen size (Diagonal): Inch Code (ABCD)

3.5" → 0350

10.4" → 1040

(b) Manufactured Date: Year, Month, Day (EFG)

Year (E)

Year	2000	2001	2002	2003	2004	2005	2006	2007	2008	2009
Mark	0	1	2	3	4	5	6	7	8	9

<b>EVERVISION</b>	<b>MODEL NO.</b>		<b>PAGE</b>
	VGG804805-6UFLWC	SPEC SAMPLE	24

Month (F)

Month	Jan.	Feb.	Mar.	Apr.	May	Jun.	Jul.	Aug.	Sep.	Oct.	Nov.	Dec.
Mark	1	2	3	4	5	6	7	8	9	A	B	C

Day (G)

Day	1	2	3	4	5	6	7	8	9	10	11	12	13	14	15	16
Mark	1	2	3	4	5	6	7	8	9	A	B	C	D	E	F	G
Day	17	18	19	20	21	22	23	24	25	26	27	28	29	30	31	
Mark	H	I	J	K	L	M	N	O	P	Q	R	S	T	U	V	

(c) Factory Code (H):

For EVERVISION internal use.

(d) Revision Code (I):

Cover all the change, for example: 1: Rev.1, 2: Rev.2, 3: Rev.3...etc.

(e) Serial No. (JKLM):

Manufacturing sequence of product, for example: 0001~9999.



<b>EVERVISION</b>	<b>MODEL NO.</b>		<b>PAGE</b>
	VGG804805-6UFLWC	SPEC SAMPLE	25

## 18. Incoming Inspection Standards

### 18.1 The environmental condition of inspection

The environmental condition and visual inspection shall be conducted as below.

- (1) Ambient temperature  $25 \pm 5^{\circ}\text{C}$
- (2) Humidity:  $60 \pm 5\%$  RH
- (3) Viewing distance is approximately 35 ~ 40 cm
- (4) Viewing angle is normal to the LCD panel as Fig \_1( $10^{\circ}$ )
- (5) Ambient Illumination: 300 ~ 500 Lux for external appearance inspection

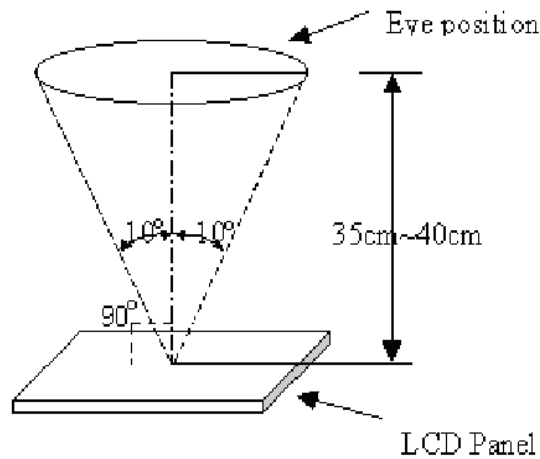


Fig \_ 1

### 18.2 The defects classify of AQL as following:

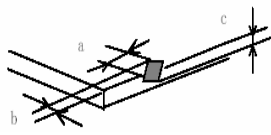
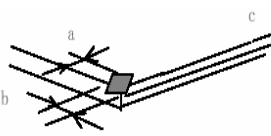
Class of defects	AQL	Definition
Major	0.65%	It is defect that is likely to result in failure or to reduce materially the usability of the intended function.
Minor	1.5%	It is a defect that will not result in functioning problem with deviation classified.

<b>EVERVISION</b>	<b>MODEL NO.</b>		<b>PAGE</b>
	VGG804805-6UFLWC	SPEC SAMPLE	26

### 18.3 Inspection Parameters

Item		Specification/Description			Note	
Display	Function	No Display			-	
		Malfunction			-	
Operating	Contrast ratio	Out of Spec			-	
	Line defect	No obvious Vertical and Horizontal line defect in bright , dark and colored.			-	
	Point Defect (red,green,blue,dark)	Item	Acceptable number			Note: 1、2、 5、6、7
			A	B	Total	
		BRIGHT DOT	$N \leq 3$	$N \leq 3$	$N \leq 8$	
		DARK DOT	$N \leq 5$	$N \leq 6$		
		TOTAL DOT	$N \leq 5$	$N \leq 6$		
TWO ADJACENT DOT	NOT ALLOWED					
THREE OR MORE ADJACENT DOT	NOT ALLOWED					
External Inspection (non-operating)	Scratch on the polarizer	L(mm)	W(mm)	Acceptable number	Note:3	
		$L \leq 2.5$	$W \leq 0.1$	4		
		$L > 2.5$	$W > 0.1$	0		
	Scratch on the touch panel	L(mm)	W(mm)	Acceptable number	Note:3	
		$L \leq 10.0$	$W \leq 0.1$	3		
		$L > 10.0$	$W > 0.1$	0		
	Dent or bubble on the polarizer	Dimension(mm)		Acceptable number	Note:4	
		$D \leq 0.5$		4		
		$D \leq 0.15$		Disregard		
	Foreign material on the polarizer	Dimension(mm)		Acceptable number	Note:4	
		$D \leq 0.5$		4		
		$D \leq 0.15$		Disregard		

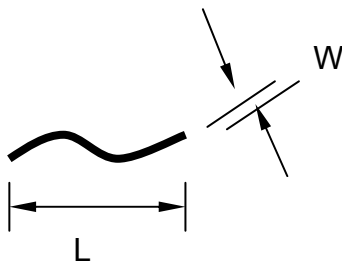
<b>EVERVISION</b>	<b>MODEL NO.</b>		<b>PAGE</b>
	VGG804805-6UFLWC	SPEC SAMPLE	27

Item	Specification/Description		Note	
Touch Panel	Glass chipping		$a \leq 3\text{mm}$ $b \leq 3\text{mm}$ $c \leq t$ (t : Glass think)	Note:8
			$a \leq 3\text{mm}$ $b \leq 3\text{mm}$ $c \leq t$ (t : Glass think)	Note:8
	Newton-ring	(In case of doubtful situations) Observe on 60° from the product surface under a white Fluorescent lamp (3-wavelength lamp)	Average diameter $\leq 7\text{mm}$ $N \leq 1$	Note:8

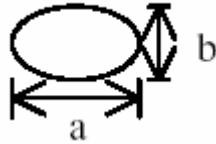
Note1. Distance between point defect distance should be large than 5 mm.

Note2. The definition of dot defect : The dot defect was judged after repair and the size of a defective dot over 1/2 of whole dot is regarded as one defective dot.

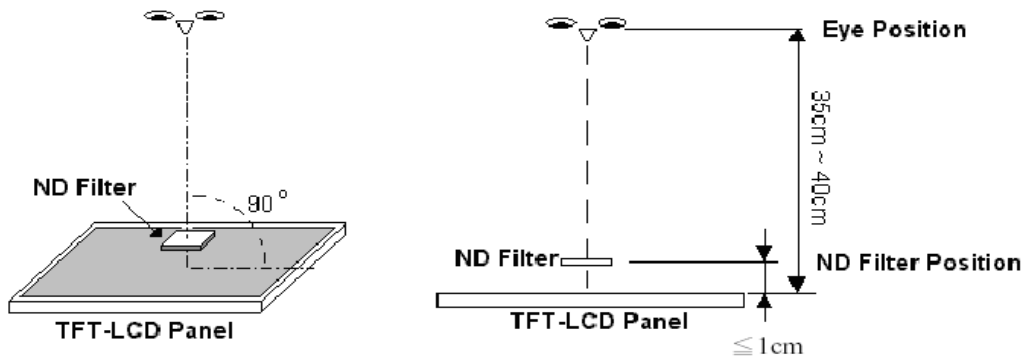
Note3.



Note4. D : Diameter  $D=(a+b)/2$



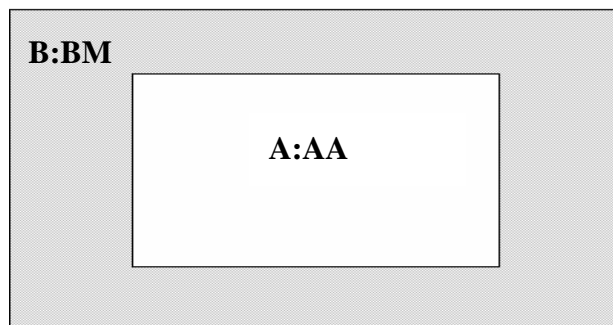
Note5. Bright dot is defined through 6% transmission ND Filter as following.



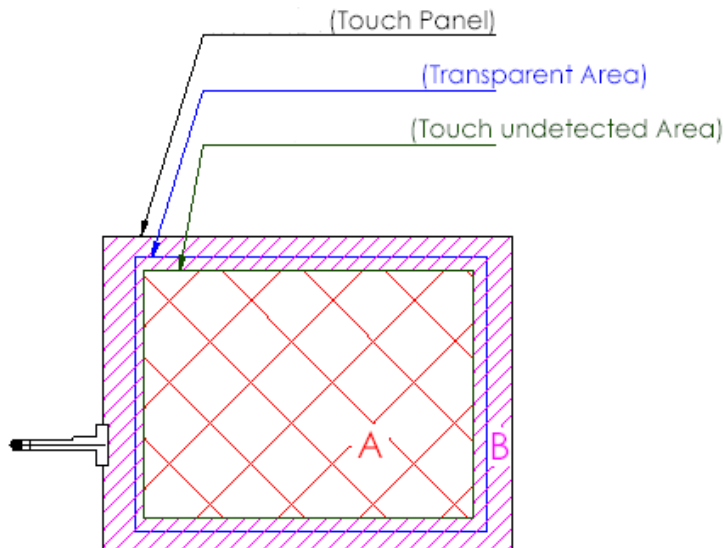
Note6. ADJACENT DOT



Note7.



Note8.



A area : Without any defect point effect on normal operation.

B area : None-specify

#### 18.4 Handling of LCM

- (1) Don't give external shock.
- (2) Don't apply excessive force on the surface.
- (3) Liquid in LCD is hazardous substance. Must not lick and swallow. when the liquid is attach to your hand, skin, cloth etc. Wash it out thoroughly and immediately.
- (4) Don't operate it above the absolute maximum rating.
- (5) Don't disassemble the LCM.