

# Connettori femmina a carrello


## Female connectors rising clamp





## Connecteurs femelle étrier remontant

## Buchsensteckblock Liftprinzip

B1

|  |  |           |
|--|--|-----------|
| <b>Passo</b><br>Pas                            | <b>Pitch</b><br>Rastermaß                  | <b>mm</b> |
| <b>Tensione nominale</b><br>Tension nominale   | <b>Rated Voltage</b><br>Bemessungsspannung | <b>V</b>  |
| <b>Corrente nominale</b><br>Intensité nominale | <b>Rated Current</b><br>Bemessungsstrom    | <b>A</b>  |

|   |   |                                     |
|---|---|-------------------------------------|
| <b>Tipo cavi</b><br>Type du conducteur  | <b>Types of cables</b><br>Leitungstypen         |                                     |
| <b>Sezione nominale</b><br>Section nominale   | <b>Nominal cross section</b><br>Nennquerschnitt | <b>mm<sup>2</sup></b><br><b>AWG</b> |
| <b>Lunghezza spelatura</b><br>Longueur de dénudage                                  | <b>Stripping length</b><br>Abisolierlänge       | <b>mm</b>                           |
| <b>Coppia di torsione</b><br>Couple de serrage                                      | <b>Torque</b><br>Drehmoment                     | <b>Nm</b><br><b>Lb-in</b>           |
| <b>Temperatura</b><br>Température   | <b>Temperature</b><br>Temperatur                | <b>°C</b>                           |
| <b>Corpo isolante</b><br>Corps isolant  | <b>Housing</b><br>Isolierkörper                 |                                     |
| <b>Vite imperdibile</b><br>Vis imperdable   | <b>Captive screw</b><br>Unverlierbare Schraube  |                                     |
|  |   | <b>mm</b>                           |

|  |            |                      |
|--|------------|----------------------|
|  | <b>IMQ</b> | EN60998              |
|  | <b>VDE</b> | EN61984              |
|  | <b>UL</b>  | UL1059               |
|  | <b>cUL</b> | UL1059 + C22.2 n°158 |

|  |   |                      |
|--|---|----------------------|
| <b>Poli</b><br>Pôles                       | <b>Poles</b><br>Polzahl                           | <b>X</b> →           |
| <b>Colore standard</b><br>Coloris standard | <b>Standard colour</b><br>Standardfarbe           | <b>Y</b> →           |
| <b>Altri dati</b><br>Autres données        | <b>Other information</b><br>Weitere Informationen | <b>pag.</b><br>Seite |

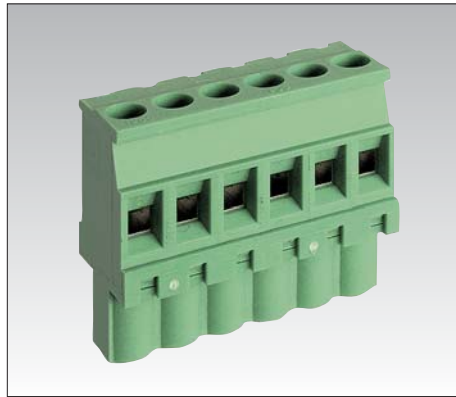
|   |              |   |                 |               |                    |
|---|--------------|---|-----------------|---------------|--------------------|
| <b>Ordinazione</b><br>Référence de commande |              | <b>How to order</b><br>Bestellschlüssel |                 |               |                    |
| <b>MRT3 P5 / X ... Y ...</b>                |              |   |                 |               |                    |
| <b>Tipo</b>                                 | <b>Passo</b> | <b>Poli</b>                             | <b>Versione</b> | <b>Colori</b> | <b>Numerazione</b> |
| Type  | Pitch        | Poles                                   | Version         | Colors        | Printing           |
| Type  | Pas          | Pôles                                   | Version         | Couleurs      | Marquage           |
| Typ   | Rastermaß    | Polzahl                                 | Version         | Farben        | Bedruckung         |

**Altri colori a richiesta. Other colours on demand.**  
Autres couleurs sur demande. Andere Farben bei Bedarf.







# MRT3

|                                 |                                    |             |
|---------------------------------|------------------------------------|-------------|
| <b>Blocco unico</b><br>Monobloc | <b>Single block</b><br>Einzelblock |             |
| <b>Poli</b><br>Pôles            | <b>Poles</b><br>Polzahl            | <b>2/24</b> |



|            |             |
|------------|-------------|
| <b>5</b>   | <b>5,08</b> |
| <b>320</b> |             |
| <b>12</b>  |             |

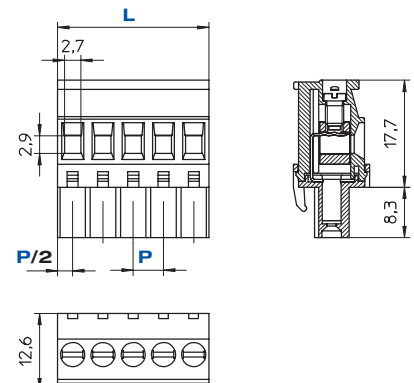
|  |   |  |   |
|--|---|--|---|
|                     |  |  |   |
| 0,5 ÷ 2,5<br>30 ÷ 12   | 0,5 ÷ 2,5<br>30 ÷ 12  | 0,5 ÷ 2,5<br>30 ÷ 12   |   |
| <b>7</b>   |   |  |   |
| 0,5  | /   |  | 5 |
| <b>110</b>   |   |  |   |
| <b>PA - UL 94 V0</b>   |   |  |   |
| <b>M3</b>  |   |  |   |
|  <b>0,6 x 3,5</b> |   |  |   |

|            |           |                           |
|------------|-----------|---------------------------|
| <b>V</b>   | <b>A</b>  | <b>mm<sup>2</sup>/AWG</b> |
| <b>450</b> | <b>12</b> | <b>0,5 ÷ 2,5</b>          |
|            |           |                           |
| <b>300</b> | <b>12</b> | <b>30 ÷ 12</b>            |

|                       |  |  |
|-----------------------|--|--|
| <b>min 2 - max 24</b> |  |  |
| <b>VE</b>             |  |  |
| <b>80</b>             |  |  |

**Versione**  
Version

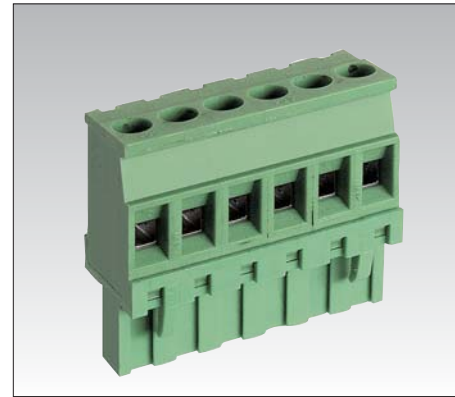
...







|             |                 |
|-------------|-----------------|
| <b>P</b>    | <b>L (mm)</b>   |
| <b>5</b>    | <b>5 x p</b>    |
| <b>5,08</b> | <b>5,08 x p</b> |

# MRT3..V01

|                                 |                                    |             |
|---------------------------------|------------------------------------|-------------|
| <b>Blocco unico</b><br>Monobloc | <b>Single block</b><br>Einzelblock |             |
| <b>Poli</b><br>Pôles            | <b>Poles</b><br>Polzahl            | <b>2/24</b> |



|            |             |
|------------|-------------|
| <b>5</b>   | <b>5,08</b> |
| <b>320</b> |             |
| <b>12</b>  |             |

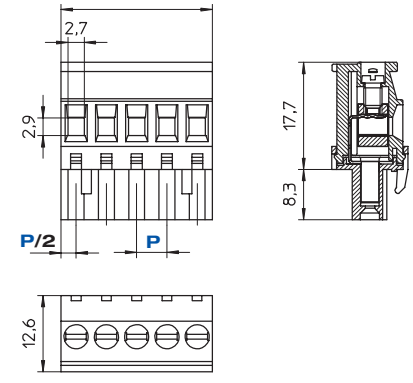
|  |   |   |   |
|--|---|---|---|
|                     |  |  |   |
| 0,5 ÷ 2,5<br>30 ÷ 12   | 0,5 ÷ 2,5<br>30 ÷ 12  | 0,5 ÷ 2,5<br>30 ÷ 12  |   |
| <b>7</b>   |   |   |   |
| 0,5  | /   |   | 5 |
| <b>110</b>   |   |   |   |
| <b>PA - UL 94 V0</b>   |   |   |   |
| <b>M3</b>  |   |   |   |
|  <b>0,6 x 3,5</b> |   |   |   |

|            |           |                           |
|------------|-----------|---------------------------|
| <b>V</b>   | <b>A</b>  | <b>mm<sup>2</sup>/AWG</b> |
| <b>450</b> | <b>12</b> | <b>0,5 ÷ 2,5</b>          |
|            |           |                           |
| <b>300</b> | <b>12</b> | <b>30 ÷ 12</b>            |

|                       |  |  |
|-----------------------|--|--|
| <b>min 2 - max 24</b> |  |  |
| <b>VE</b>             |  |  |
| <b>80</b>             |  |  |

**Versione**  
Version

**V01**



|             |                 |
|-------------|-----------------|
| <b>P</b>    | <b>L (mm)</b>   |
| <b>5</b>    | <b>5 x p</b>    |
| <b>5,08</b> | <b>5,08 x p</b> |

# MRT3

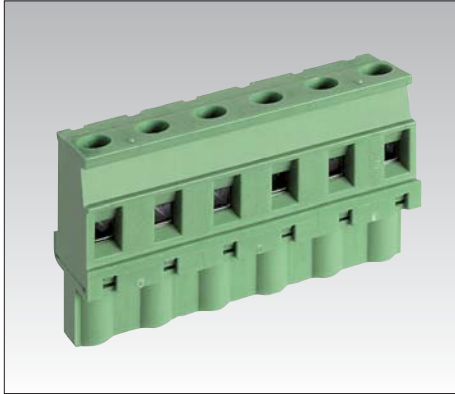
Blocco unico  
Monobloc

Single block  
Einzelblock

Poli  
Póles

Poles  
Polzahl

**2/12**



**7,62**

500

12

|                      |                      |                      |   |
|----------------------|----------------------|----------------------|---|
|                      |                      |                      |   |
| 0,5 ÷ 2,5<br>30 ÷ 12 | 0,5 ÷ 2,5<br>30 ÷ 12 | 0,5 ÷ 2,5<br>30 ÷ 12 |   |
| 7                    |                      |                      |   |
| 0,5                  | /                    |                      | 5 |
| 110                  |                      |                      |   |
| PA - UL 94 V0        |                      |                      |   |
| M3                   |                      |                      |   |
|                      | 0,6 x 3,5            |                      |   |

| V   | A  | mm <sup>2</sup> /AWG |
|-----|----|----------------------|
| 750 | 12 | 0,5 ÷ 2,5            |
| 300 | 12 | 30 ÷ 12              |

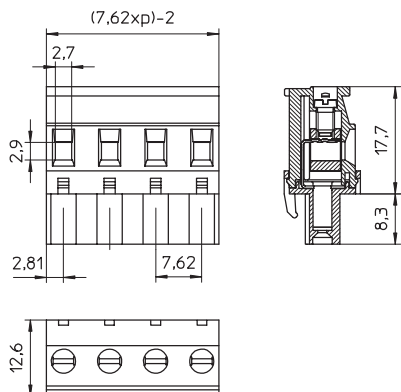
min 2 - max 12

**VE**

81

Versione  
Version

...



# MRT3..V01

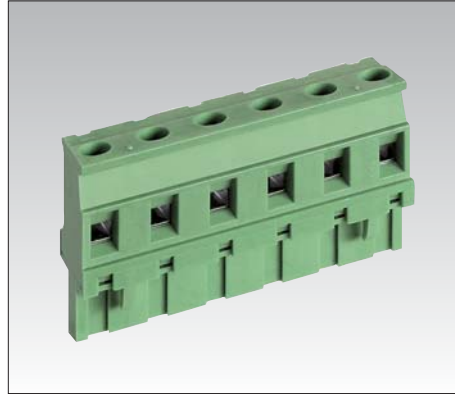
Blocco unico  
Monobloc

Single block  
Einzelblock

Poli  
Póles

Poles  
Polzahl

**2/12**



**7,62**

500

12

|                      |                      |                      |   |
|----------------------|----------------------|----------------------|---|
|                      |                      |                      |   |
| 0,5 ÷ 2,5<br>30 ÷ 12 | 0,5 ÷ 2,5<br>30 ÷ 12 | 0,5 ÷ 2,5<br>30 ÷ 12 |   |
| 7                    |                      |                      |   |
| 0,5                  | /                    |                      | 5 |
| 110                  |                      |                      |   |
| PA - UL 94 V0        |                      |                      |   |
| M3                   |                      |                      |   |
|                      | 0,6 x 3,5            |                      |   |

| V   | A  | mm <sup>2</sup> /AWG |
|-----|----|----------------------|
| 750 | 12 | 0,5 ÷ 2,5            |
| 300 | 12 | 30 ÷ 12              |

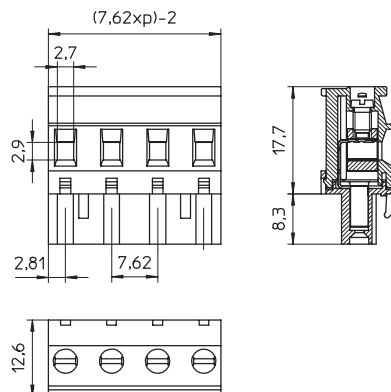
min 2 - max 12

**VE**

81

Versione  
Version

**V01**



# MRT3

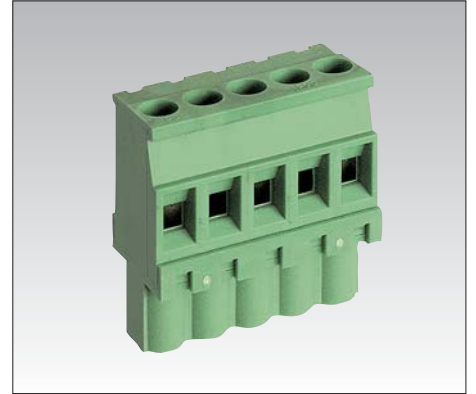
Blocco unico  
Monobloc

Single block  
Einzelblock

Poli  
Póles

Poles  
Polzahl

**2/12**



**10**

**10,16**

630

12

|                      |                      |                      |   |
|----------------------|----------------------|----------------------|---|
|                      |                      |                      |   |
| 0,5 ÷ 2,5<br>30 ÷ 12 | 0,5 ÷ 2,5<br>30 ÷ 12 | 0,5 ÷ 2,5<br>30 ÷ 12 |   |
| 7                    |                      |                      |   |
| 0,5                  | /                    |                      | 5 |
| 110                  |                      |                      |   |
| PA - UL 94 V0        |                      |                      |   |
| M3                   |                      |                      |   |
|                      | 0,6 x 3,5            |                      |   |

| V   | A  | mm <sup>2</sup> /AWG |
|-----|----|----------------------|
| 750 | 12 | 0,5 ÷ 2,5            |
| 300 | 12 | 30 ÷ 12              |

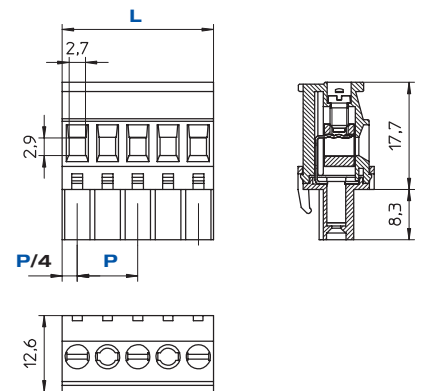
min 2 - max 12

**VE**

81

Versione  
Version

...



| P     | L (mm)            |
|-------|-------------------|
| 10    | (10 x p) -5       |
| 10,16 | (10,16 x p) -5,08 |

# Connettori femmina a carrello

## Female connectors rising clamp

## Connecteurs femelle étrier remontant

## Buchsensteckblock Liftprinzip

# MRT3..V01

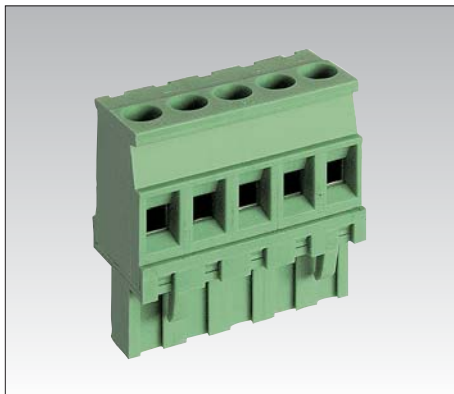
Blocco unico  
Monobloc

Single block  
Einzelblock

Poli  
Pôles

Poles  
Polzahl

2/12



| Passo<br>Pas                                   | Pitch<br>Rastermaß                         | mm       |
|--|--|----------|
| <b>Tensione nominale</b><br>Tension nominale   | <b>Rated Voltage</b><br>Bemessungsspannung | <b>V</b> |
| <b>Corrente nominale</b><br>Intensité nominale | <b>Rated Current</b><br>Bemessungsstrom    | <b>A</b> |

| Tipo cavi<br>Type du conducteur                    | Types of cables<br>Leitungstypen                |                                     |
|--|---|-------------------------------------|
| <b>Sezione nominale</b><br>Section nominale        | <b>Nominal cross section</b><br>Nennquerschnitt | <b>mm<sup>2</sup></b><br><b>AWG</b> |
| <b>Lunghezza spelatura</b><br>Longueur de dénudage | <b>Stripping length</b><br>Absisolierlänge      | <b>mm</b>                           |
| <b>Coppia di torsione</b><br>Couple de serrage     | <b>Torque</b><br>Drehmoment                     | <b>Nm</b><br><b>Lb-in</b>           |
| <b>Temperatura</b><br>Température                  | <b>Temperature</b><br>Temperatur                | <b>°C</b>                           |
| <b>Corpo isolante</b><br>Corps isolant             | <b>Housing</b><br>Isolierkörper                 |                                     |
| <b>Vite imperdibile</b><br>Vis imperdable          | <b>Captive screw</b><br>Unverlierbare Schraube  |                                     |



|  |            |                      |
|--|------------|----------------------|
|  | <b>IMQ</b> | EN60998              |
|  | <b>VDE</b> | EN61984              |
|  | <b>UL</b>  | UL1059               |
|  | <b>cUL</b> | UL1059 + C22.2 n°158 |

|  |   |                      |
|--|---|----------------------|
| <b>Poli</b><br>Pôles                       | <b>Poles</b><br>Polzahl                           | <b>X</b> →           |
| <b>Colore standard</b><br>Coloris standard | <b>Standard colour</b><br>Standardfarbe           | <b>Y</b> →           |
| <b>Altri dati</b><br>Autres données        | <b>Other information</b><br>Weitere Informationen | <b>pag.</b><br>Seite |

| Ordinazione<br>Référence de commande |                       | How to order<br>Bestellschlüssel |                            |                         |                                |
|--------------------------------------|-----------------------|----------------------------------|----------------------------|-------------------------|--------------------------------|
| <b>MRT3 P10 / X V01 Y ...</b>        |                       |                                  |                            |                         |                                |
| <b>Tipo</b><br>Type                  | <b>Passo</b><br>Pitch | <b>Poli</b><br>Poles             | <b>Versione</b><br>Version | <b>Colori</b><br>Colors | <b>Numerazione</b><br>Printing |
| Type                                 | Pas                   | Pôles                            | Version                    | Couleurs                | Marquage                       |
| Typ                                  | Rastermaß             | Polzahl                          | Version                    | Farben                  | Bedruckung                     |

**Altri colori a richiesta.** Other colours on demand.  
Autres couleurs sur demande. Andere Farben bei Bedarf.



| 10         | 10,16 |
|------------|-------|
| <b>630</b> |       |
| <b>12</b>  |       |

|                      |                      |                      |
|----------------------|----------------------|----------------------|
|                      |                      |                      |
| 0,5 ÷ 2,5<br>30 ÷ 12 | 0,5 ÷ 2,5<br>30 ÷ 12 | 0,5 ÷ 2,5<br>30 ÷ 12 |
| <b>7</b>             |                      |                      |
| <b>0,5</b>           | <b>5</b>             |                      |
| <b>110</b>           |                      |                      |
| <b>PA - UL 94 V0</b> |                      |                      |
| <b>M3</b>            |                      |                      |
| <b>0,6 x 3,5</b>     |                      |                      |

| V          | A         | mm <sup>2</sup> /AWG |
|------------|-----------|----------------------|
| <b>750</b> | <b>12</b> | <b>0,5 ÷ 2,5</b>     |
|            |           |                      |
| <b>300</b> | <b>12</b> | <b>30 ÷ 12</b>       |

|                       |
|-----------------------|
| <b>min 2 - max 12</b> |
| <b>VE</b>             |
| <b>81</b>             |

| Versione<br>Version |                   |
|---------------------|-------------------|
| <b>V01</b>          |                   |
|                     |                   |
| <b>P</b>            | <b>L (mm)</b>     |
| 10                  | (10 x p) -5       |
| 10,16               | (10,16 x p) -5,08 |