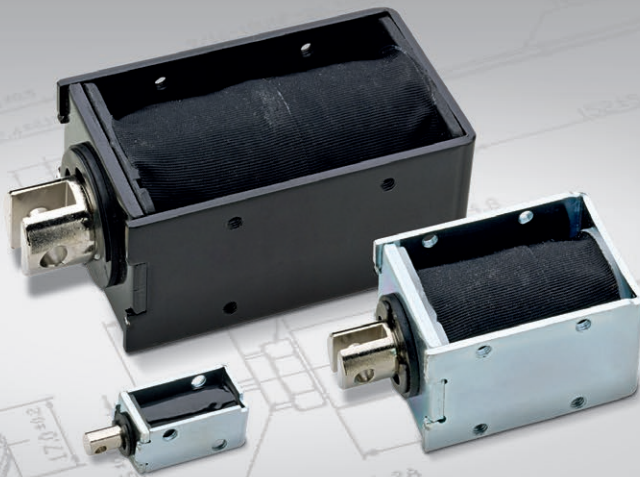


# Linear Solenoids

## Frame solenoids standard



Large frame

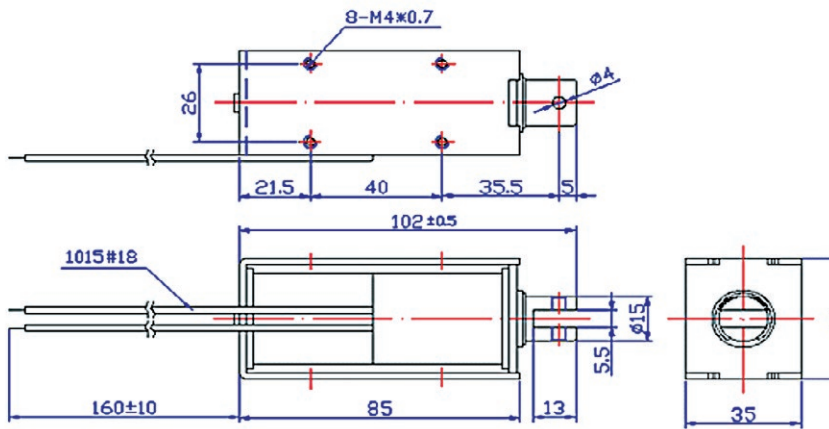
Adequate for overload

Extremely solid

**ITS-LS 4035**

**M**

### Type



### Description

Chaeap and light-weight based on frame mode construction. Including damping ring and dumper inside the case. Open frame solenoid with closed brace.

Medium but with overload passably stroke at the 25 - 40 mm.

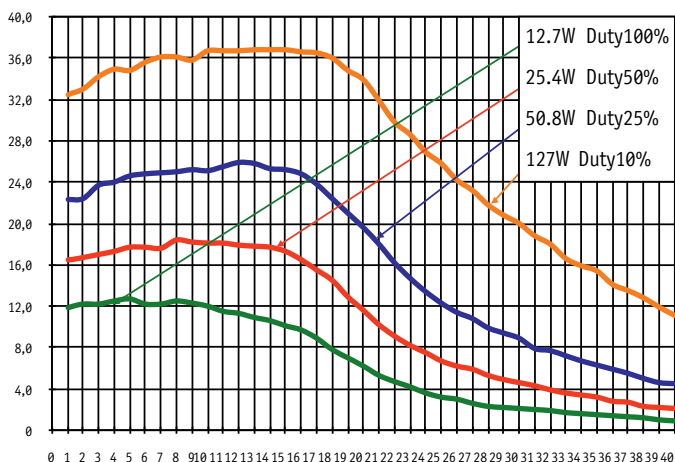
Weight: 530 g

Elevated force at end of the stroke.

### Coil Data

Relative ED (Percent)	100	50	25	10
Max. Performance (Watt)	12,7	25,4	50,8	127
Max. ED (Seconds)	∞	160	80	32

### Force-stroke-diagram (N/mm)



### Solenoid Layout

Version:

Pull Magnet

Pressure Solenoid with spring return

Current:

12 VDC (standard)

24 VDC (standard)

other voltages on request

### Special development

Do you like a costum designed version (for example frame, force, duty cycle and so on) please send us this form:

[Checklist \(PDF, 390 kB\)](#)