

## PRODUCT SPECIFICATION

**Model No.: FYL-5014UWC1C-15**

Descriptions:
■Dice material:InGaN.
■Emitting Color: Super bright White.
■Device Outline: Φ5mm round type.
■Lens Type: Water clear.



CUSTOMER APPROVED SIGNATURES	APPROVED BY	CHECKED BY	PREPARED BY

**NINGBO FORYARD OPTOELECTRONICS CO.,LTD.**

**Add:**NO.115 Qixin Road Ningbo Zhejiang China

**Zip:**315051

**Tel:** 0086-574-87933652 87927870 87922206

**Fax:** 0086-574-87927917

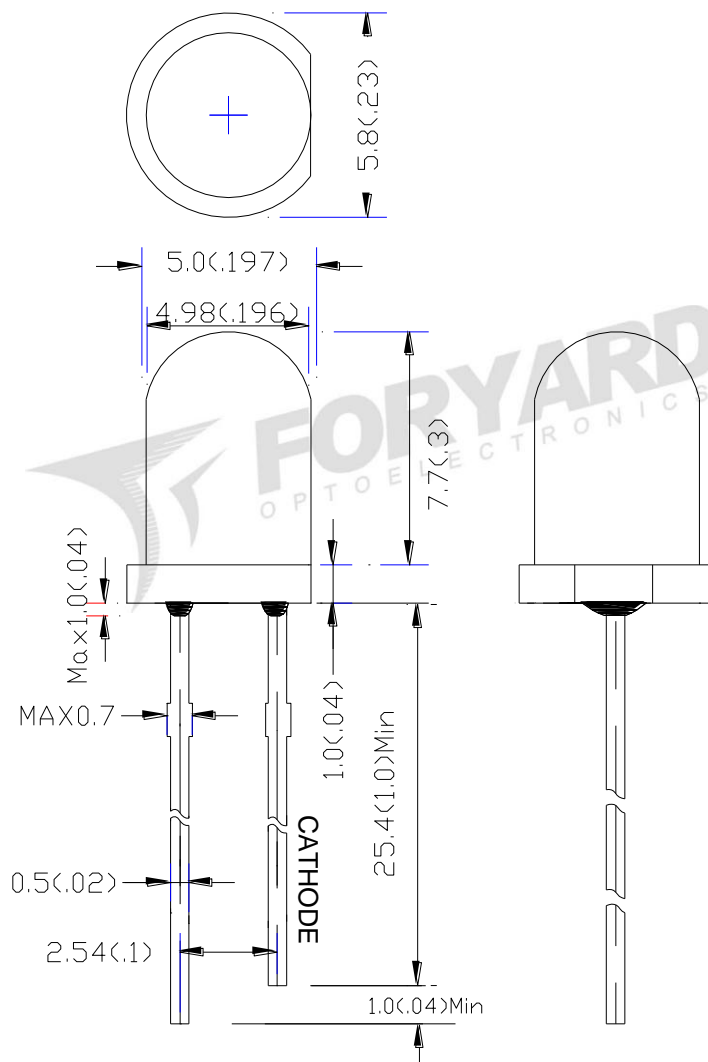
**E-mail:** Sales@foryard.com (General)

[Http://www.foryard.com](http://www.foryard.com)

## ■ Features

1. Low power consumption.
2. High efficiency.
3. General purpose leads.
4. High intensity.
5. RoHs compliant.

## ■ Package configuration



### Notes:

1. All dimensions are millimeters (inches)
2. Tolerance is  $\pm 0.25\text{mm}$  (.010") unless otherwise noted.
3. The specifications, characteristics and technical data described in the datasheet are subject to change without prior notice.

■ Absolute maximum ratings( $T_a=25\text{ }^{\circ}\text{C}$ )

Parameter	MAX.	Unit
Power Dissipation	90	mW
Peak Forward Current (1/10 Duty Cycle, 0.1ms Pulse Width)	100	mA
Continuous Forward Current	25	mA
Derating Linear From 50 $^{\circ}\text{C}$	0.4	mA/ $^{\circ}\text{C}$
Reverse Voltage	5	V
Operating Temperature Range	-40 $^{\circ}\text{C}$ to +85 $^{\circ}\text{C}$	
Storage Temperature Range	-40 $^{\circ}\text{C}$ to +100 $^{\circ}\text{C}$	
Lead Soldering Temperature[4mm(.157") From Body]	260 $^{\circ}\text{C}$ for 5 Seconds	

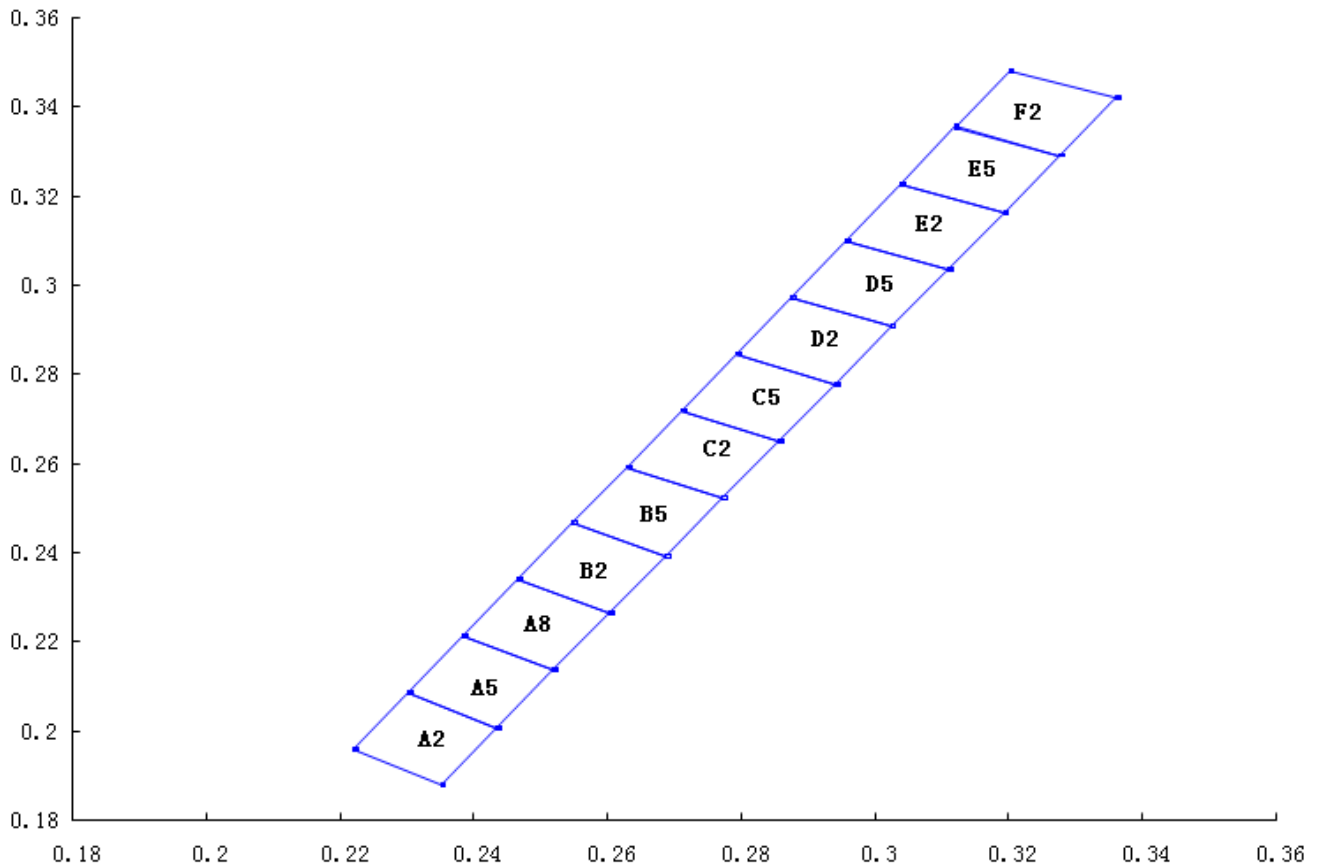
■ Electrical and optical characteristics( $T_a=25\text{ }^{\circ}\text{C}$ )

Parameter	Symbol	Min.	Typ.	Max.	Unit	Test Condition
Luminous Intensity	$I_v$	23500	27000	33000	mcd	$I_F=20\text{mA}$
Viewing Angle	$2\theta_{1/2}$	-	15	-	Deg	
Chromaticity coordinates	X	-	0.29	-		
	Y	-	0.29	-		
Color temperature	CCT	-	9500	-	K	
Forward Voltage	$V_F$	2.8	3.0	3.4	V	
Reverse Current	$I_R$			10	$\mu\text{A}$	$V_R=5\text{V}$

■ White Color Diagram

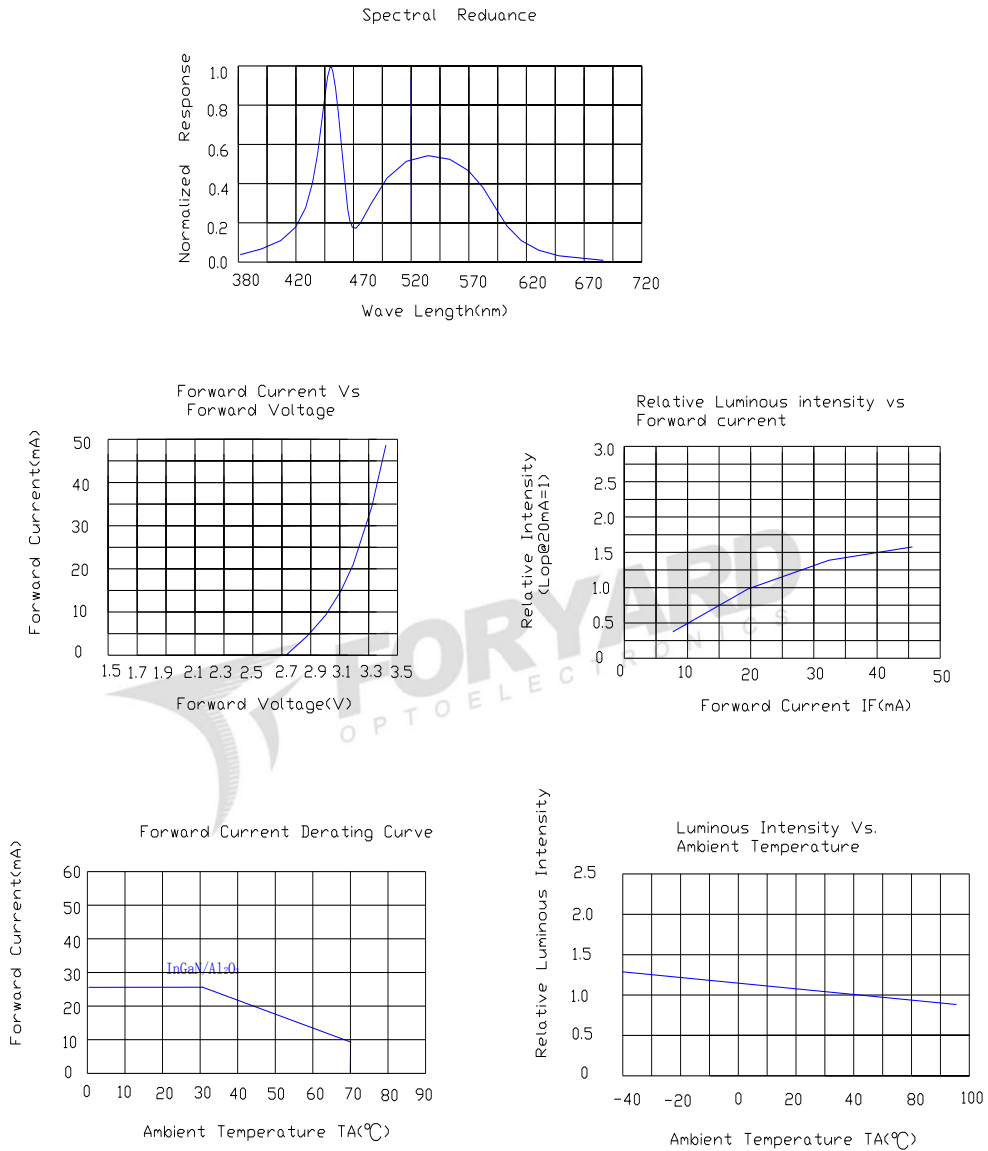
The table of chromaticity coordinate@20mA

BIN	CIE	Top	Right	Bott	Left	BIN	CIE	Top	Right	Bott	Left
A2	X	0.2302	0.2434	0.2350	0.2220	C5	X	0.2792	0.2939	0.2855	0.2710
	Y	0.2087	0.2008	0.1880	0.1960		Y	0.2847	0.2778	0.2650	0.2720
A5	X	0.2383	0.2518	0.2434	0.2302	D2	X	0.2873	0.3023	0.2939	0.2792
	Y	0.2213	0.2137	0.2008	0.2087		Y	0.2973	0.2907	0.2778	0.2847
A8	X	0.2465	0.2602	0.2518	0.2383	D5	X	0.2955	0.3108	0.3023	0.2873
	Y	0.2340	0.2265	0.2137	0.2213		Y	0.3100	0.3035	0.2907	0.2973
B2	X	0.2547	0.2687	0.2602	0.2465	E2	X	0.3037	0.3192	0.3108	0.2955
	Y	0.2467	0.2393	0.2265	0.2340		Y	0.3227	0.3163	0.3035	0.3100
B5	X	0.2628	0.2771	0.2687	0.2547	E5	X	0.3118	0.3276	0.3192	0.3037
	Y	0.2593	0.2522	0.2393	0.2467		Y	0.3358	0.3292	0.3163	0.3227
C2	X	0.2710	0.2855	0.2771	0.2628	F2	X	0.3200	0.3360	0.3276	0.3118
	Y	0.2720	0.2650	0.2522	0.2593		Y	0.3480	0.3420	0.3292	0.3353

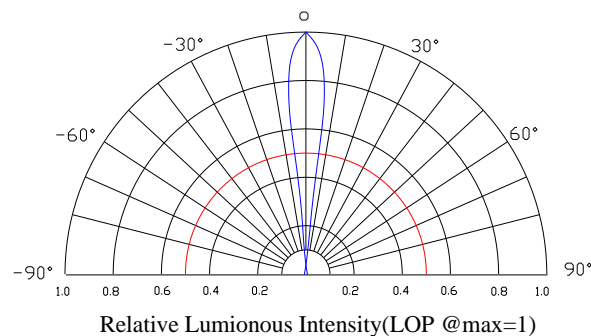


## ■ Typical Electrical Characteristics Curves

(25 ° c Ambient Temperature Unless Otherwise Noted)

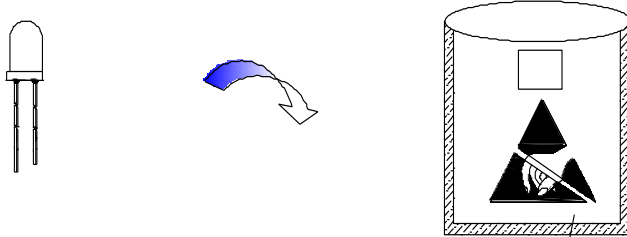


## Radiation pattern.

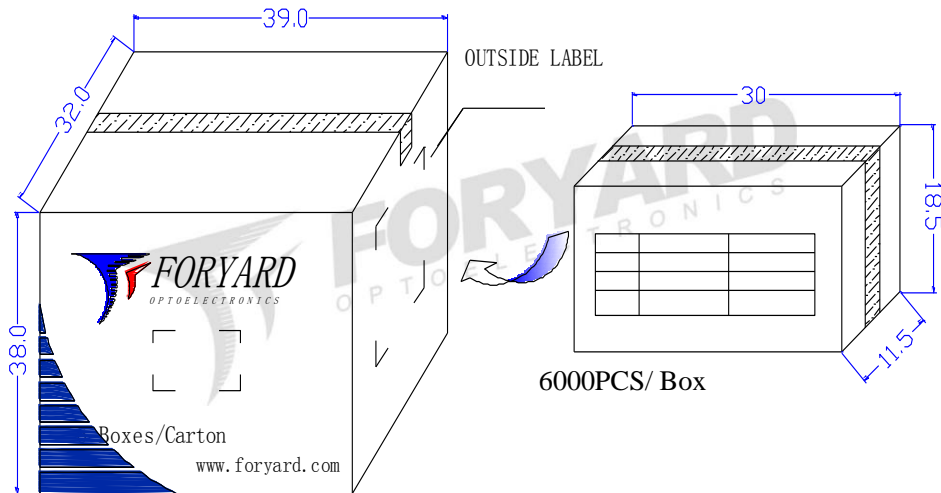
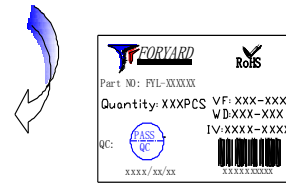


Model No.	FYL-5014UWC1C-15
Rev.	A

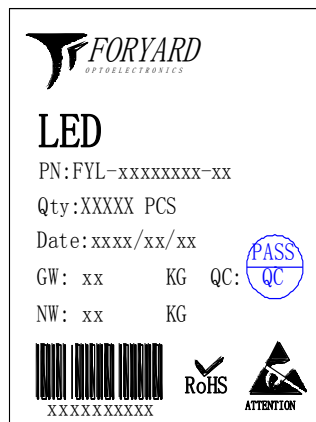
■ LAMP PACKING.



5mm 500PCS/Polybag



36000PCS/ Carton



OUTSIDE LABEL