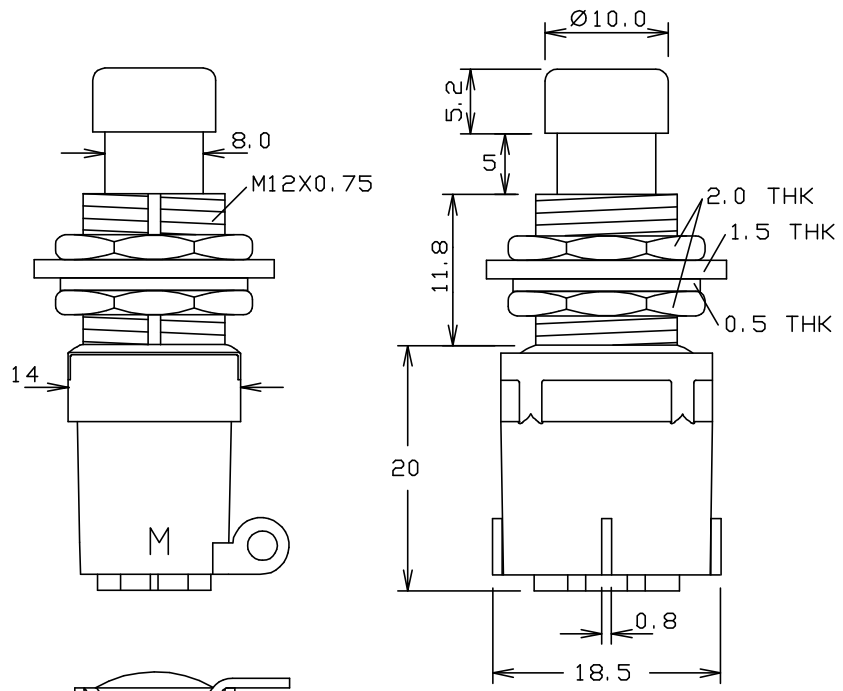
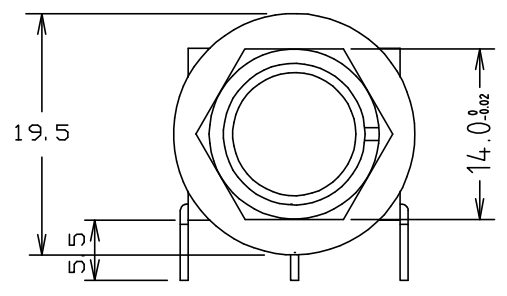


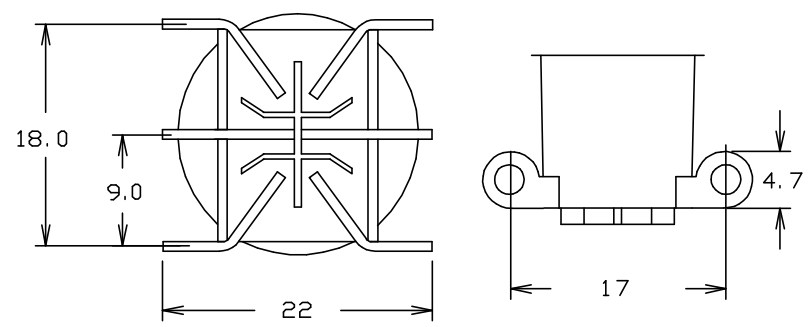
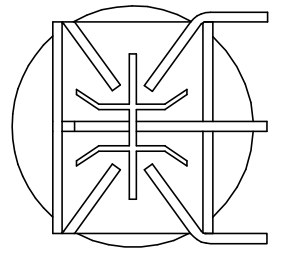
FC7102 SHOWN - FOR INFORMATION ONLY. SPDT TYPE NOT TO BE USED. USE DPDT VARIANTS ONLY



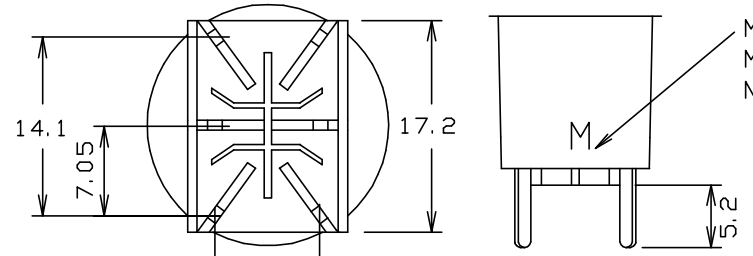
SPDT MOM 90° SOLDER

NYLON BODY 621GC-FNC1-33% UL E 130155M★
 SWING ACTUATOR M80 UL E146187M
 ACTUATOR DOLLY 2200+ UL E48268M
 MOVING CONTACT TO BE GREASED WITH ELECTROLUBE 2X CONTACT GREASE

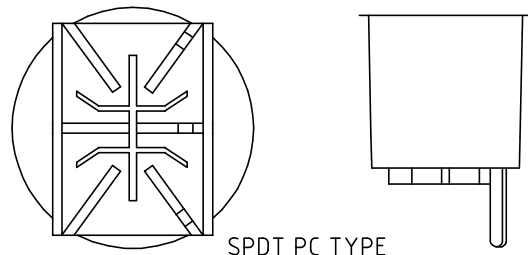
REFER TO PRODUCT SPECIFICATION SHEET FOR FULL SPEC
 RATED 1A, 250VAC
 MOM TYPE ONLY AVAILABLE FOR DPDT



DPDT 90° SOLDER

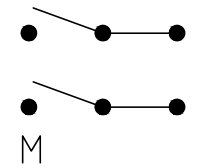


DPDT PC TYPE



SPDT PC TYPE

MOMENTARY TYPE TO BE MARKED WITH 'M' ON NORMALLY OPEN SIDE.



ISS.	AMEND	DATE
1	1st DRAWN	20/10/93
6	SPDT MOM DEL	04/02/97
7	MOM NOTE ADD	20/03/97
8	MECH SPEC REM	01/04/97
9	BODY MATL CHANGE	10/06/97
10	MATL REF ERR	25/07/97
11	NUT TOL ADDED	15/08/97
12	PPS ADDED ★ UL E102881(8)	26/02/98
13	VIEW UPDATE, M NOTE	04/07/11

VARIANTS		
P/No.	TYPE	TAG
FC7102	SPDT MOM	90° SOLDER
FC71025	SPDT ON/OFF	90° SOLDER
FC71035	SPDT ON/OFF	PC TYPE
FC7105	DPDT MOM	90°SOLDER
FC71055	DPDT ON/OFF	90°SOLDER
FC7106	DPDT MOM	PC TYPE
FC71065	DPDT ON/OFF	PC TYPE

NOT AVAILABLE

DO NOT SCALE

RoHS COMPLIANT
TOLERANCE NO DEC. PLACE ± 0.50 1 DEC. PLACE ± 0.25 2 DEC. PLACE ± HOLE Ø ± ANGLES ± 1/2° UNLESS OTHERWISE STATED

Cliff Electronic Components Ltd.
 76 Holmehorpe Avenue, Holmehorpe Industrial Estate,
 Redhill, Surrey, RH1 2PF, England, UK
 Tel: 01737-771375 Fax: 01737-766012 Website: www.cliffuk.co.uk

DIMENSIONS IN MILLIMETERS UNLESS OTHERWISE STATED. WORK TO DIMENSIONS. REMOVE ALL BURRS. IF IN DOUBT ASK.

3rd ANGLE PROJECTION:

DO NOT SCALE

MATERIAL: BRASS / STEEL / NYLON 66 OR PPS (MOM ONLY) ★

TITLE: PUSHBUTTON SWITCH 4066

FINISH: Ni HARDWARE / CONTACTS TIN PLATED / AS MOULDED

DRWG. No. **FC7102**

FORM: A4DRWGH

THE CONTENTS OF THIS DOCUMENT MUST NOT BE COPIED OR DISCLOSED TO A 3rd PARTY WITHOUT WRITTEN PERMISSION OF CLIFF UK. © 1993

DRAWN: T.J.O.

APPROVED: D.P.J.