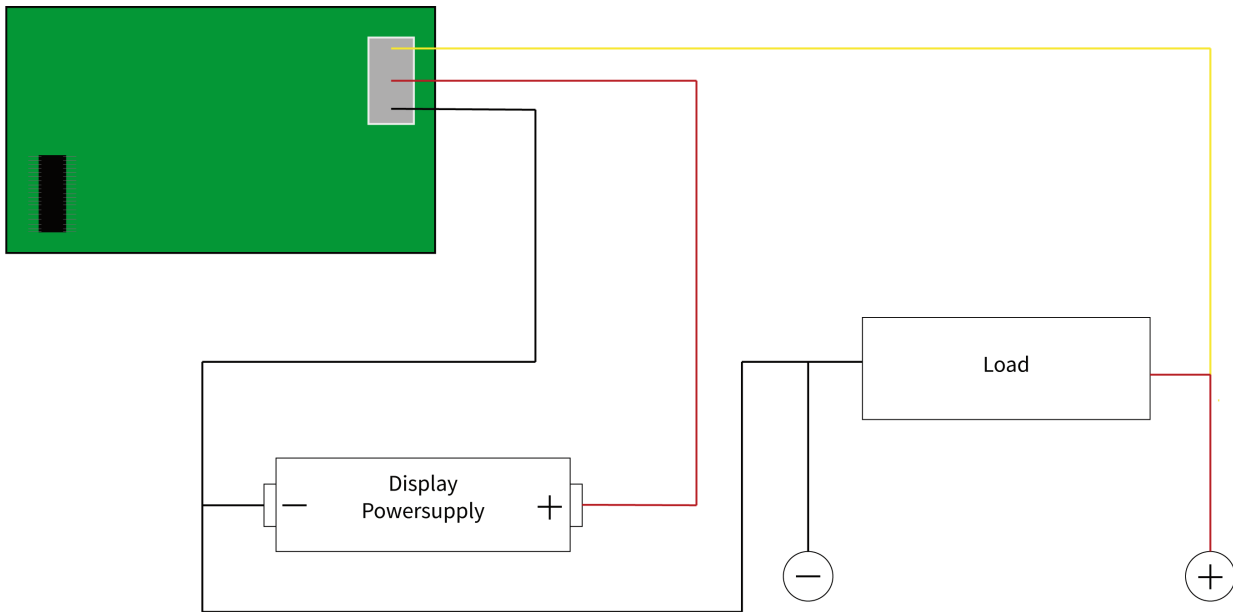


VM-433

Wiring



The provided plug of the digital voltmeter has 3 cables.

The red cable is the positive pole for the power supply of the display.

The black cable is the negative pole for the power supply of your display.

The yellow cable is used for the measuring voltage.

Connect the red cable to the positive pole of your operating voltage. Connect the black cable to the negative pole of your operating voltage. The yellow cable is connected with the voltage source which is being measured.

The display shows you now the electric voltage.