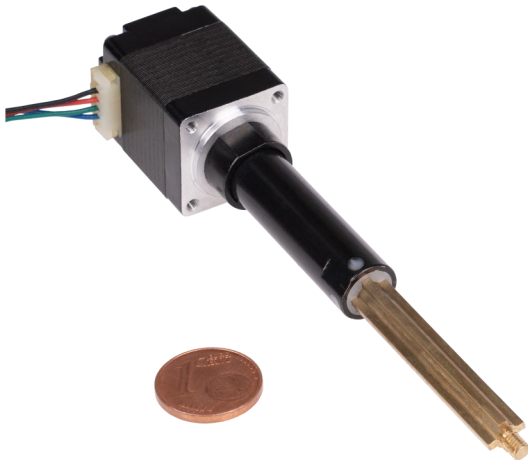


NEMA8 LINEAR ACTUATOR STEPPER

NEMA08-04LA



This linear actuator is based on a NEMA 8 stepper motor. Due to the high torque for the size, it is possible to achieve high performance in linear motion with very little space.

MAIN FEATURES

Shaft	Ø M3 x 4 mm
Interface connection	4 wire
Special features	travel per step 0.02mm
Dimensions	20 x 22 x 27.5 mm
Items delivered	NEMA8 linear actuator stepper, connection cable

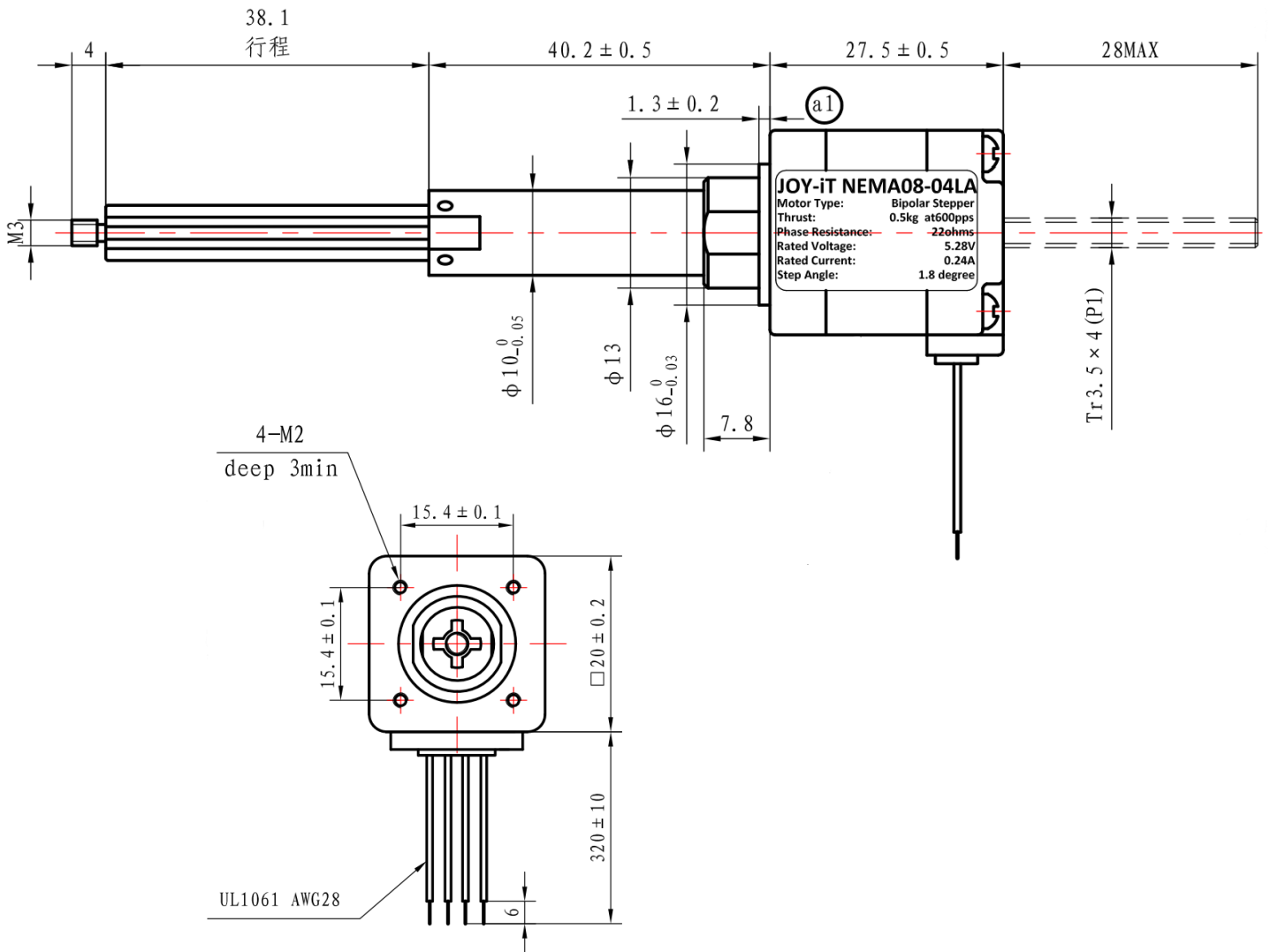
PERFORMANCE SPECIFICATIONS

Rated Voltage	5.28 V
Rated Current	0.24 A
Step Angle	1.8 ° ±5 %
No. of Phases	2
Phase Resistance	22 Ω
Phase inductivity	6 mH
Isolation resistance	100 MΩ min. @500 V DC
Isolation class	B (130 °C)
Rotational inertia	2 g·cm ²
Minimal thrust	0.5 kg at 600 pps
Operating temperature	-10 °C - 50 °C

FURTHER DETAILS

Article No.	NEMA08-04LA
EAN:	4250236821696
Customs Tariff No.	8501109990

DRAWING



WIRING

