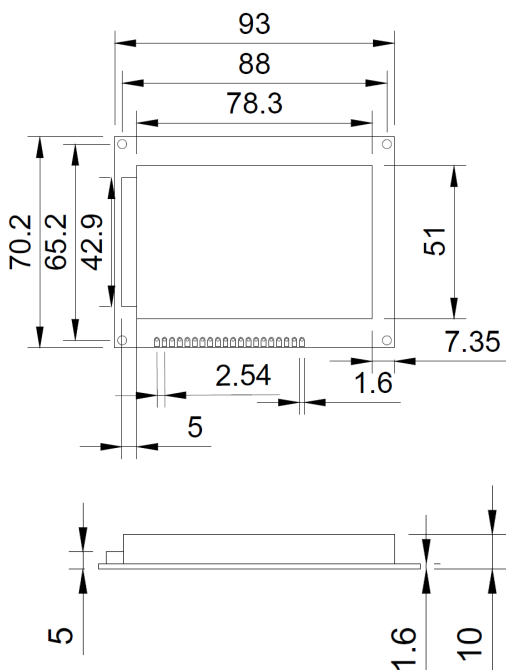


LCD 128 X 64

Graphic LCD



This 128 x 64 graphic LCD is versatile and can be controlled with 8 pin parallel as well as serial via SPI. Its large high-contrast display is suitable for many different applications. The contrast can be adjusted via a potentiometer on the back.



MAIN FEATURE

Type	LCD
Resolution	128 x 64
Background/display color	White on blue
Control chip	ST7920
Interfaces	SPI, 8 Pin Parallel 8080
Special features	High contrast and bright
Dimensions	93 x 70 x 12 mm
Items delivered	SBC-LCD128X64

FURTHER SPECIFICATIONS

Supply voltage	5 V
Current consumption	65 mA max.
Logic level	3.3 V - 5 V

FURTHER DETAILS

Article No.	SBC-LCD128X64
EAN	4250236821993
Customs tariff No.	8473302000