

PLEASE CHECK WWW.MOLEX.COM FOR LATEST PART INFORMATION

Part Number: [73119-5003](#)
Status: **Active**
Overview: [BNC Miniature RF Connectors](#)
Description: BNC 50 Ohm, Bulkhead Jack Receptacle, with Ground Lug, Solder Pot

Documents:

[Drawing \(PDF\)](#) [RoHS Certificate of Compliance \(PDF\)](#)

General

Product Family	RF/Coax Connectors
Series	73119
Comments	Solder Pot
Overview	BNC Miniature RF Connectors
Product Name	BNC
Style	Hookup Wire
UPC	800753691995
Wire/Cable Type	1.32mm max.

Physical

Cable Attachment	N/A
Gender	Jack
Keying to Mating Part	None
Orientation	Straight
PCB Mounting	N/A
Packaging Type	Bag
Panel Mount	Yes
Panel Mount Method	Bulkhead
Reverse Polar	No

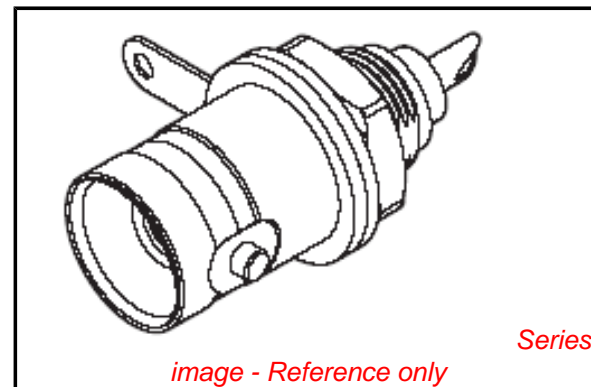
Electrical

Impedance	50#
-----------	-----

Material Info

Reference - Drawing Numbers

Sales Drawing	SD-73119-5003
---------------	---------------



EU RoHS

RoHS Compliant RF Product

REACH SVHC

Not Reviewed

Low-Halogen Status

Not Reviewed

China RoHS



Need more information on product environmental compliance?

Email productcompliance@molex.com
 For a multiple part number RoHS Certificate of Compliance, [click here](#)

Please visit the [Contact Us](#) section for any non-product compliance questions.

Search Parts in this Series

73119Series