

Specification

Model: LW100-0120833A-BU00

Description: Input:100-240Vac ;Output1: 12Vdc 3.9A, Output2: 12Vdc 3.9A

Date : 2013-11-15

Prepared by: 蒋敏

Checked by: 崔志强

Approved by: 鲁建

Customer authorized signature : _____

Please return to us one copy of "Specification" with you approved signature.

Issued Status: Draft Published

Specification

Product Name:	LED Driver	Applications: Applicable occasions: /Indoor、Outdoor
Model:	LW100-0120833A-BU00	
		Features:
		<ol style="list-style-type: none"> Wide voltage input; Working temperature range -40℃~+55℃。 Have OVP、 OCP、 SCP、 OTP protection function.。 Through the UL, RoHS authentication, fire rating UL94 V - 0. UL1310 Class 2
		Installation:
		Lock screw。
		Warranty:
		<input checked="" type="checkbox"/> 3 years or30,000 hours <input type="checkbox"/> 5 years or50,000 hours

Safety Certification	
----------------------	--

1、Product Parameters:

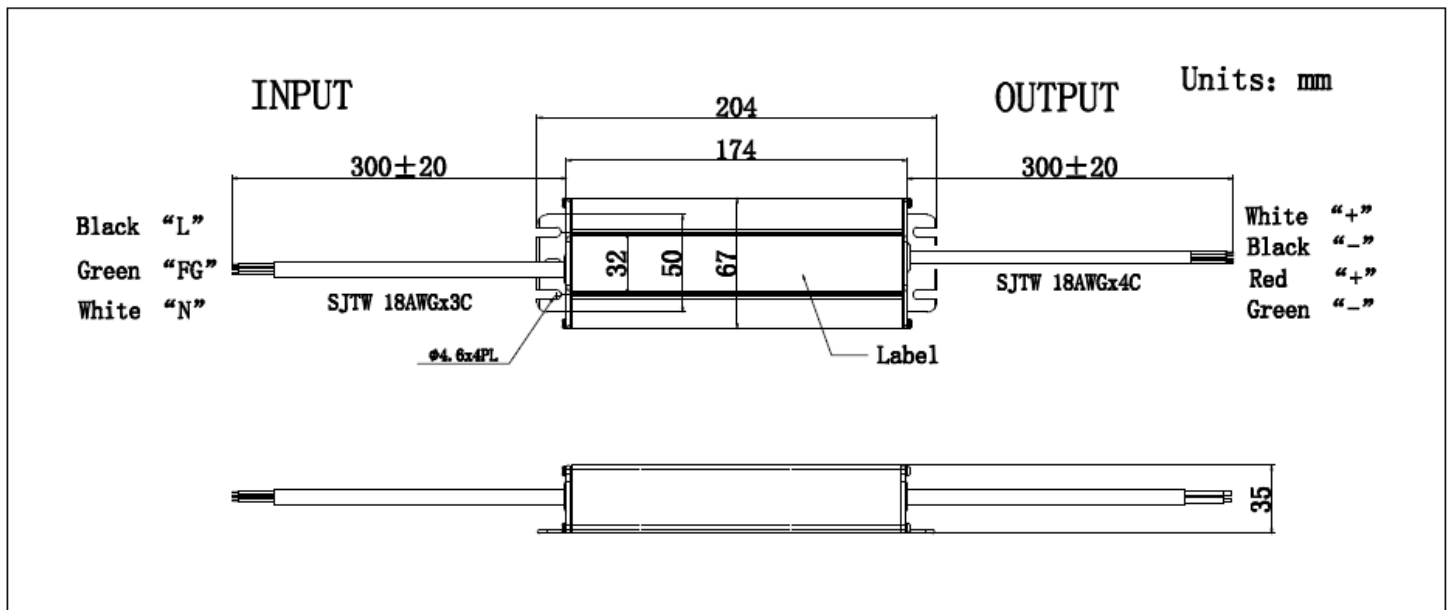
Output Characteristics	Rated Output Voltage	12V	
	Rated Output Current	3.9A+3.9A	
	Rated Output Power	100W	
	Output Voltage Accuracy	±2.5%(11.7-12.3V)	
	Output ripple & noise	≤150mV	
Input Characteristics	Input Voltage Range	100VAC~240VAC	
	Input Frequency Range	50~60HZ	
	Input Current	1.1A/115V	0.55A/230V
	Inrush Current (cold start)	≤70A(100-240Vac)	
	Efficiency	≥90%	
	PF	≥0.95	
Protective	Over-Current Protection	<input checked="" type="checkbox"/> YES <input type="checkbox"/> NO	

Characteristics	Short-Circuit Protection		■ YES □ NO
	Over-Voltage Protection		■ YES □ NO
	Over-Temperature Protection		■ YES □ NO
Environmental Characteristics	Working Temperature		-40~+55℃
	Working Humidity		20~95%RH, (non-condensing)
	Storage Temperature		-40~+85℃,
	Storage Humidity		10~95%RH
	IP Rating		□ IP65 □ IP67 ■ IP68 □ NO
	Vibration		10~500HZ,5G, 30 minutes (for X、Y、Z each axis)
Safety and EMC	Safety Standard		IP68 UL8750、 UL1310 (Class2)
	Dielectric Strength (Hi-Pot)	I/P-O/P	3.75KVAC/ 10mA/ 3S
		I/P-Case	1.8 KVAC/ 10mA/ 3S
	Insulation Resistance/		100MOhm Max/ 500VDC/ 3S
	Grounding Resistance		100mOhm
EMC		FCC part 15classB EN55015	
Other Characteristics	MTBF		≥30000hrs. MIL-HDBK-217F(25℃)
	Size		174*67*35mm(L*W*H)
	Weight		0.88KG

Remarks:

 ① Test environment temperature : 25 ± 2 °C;

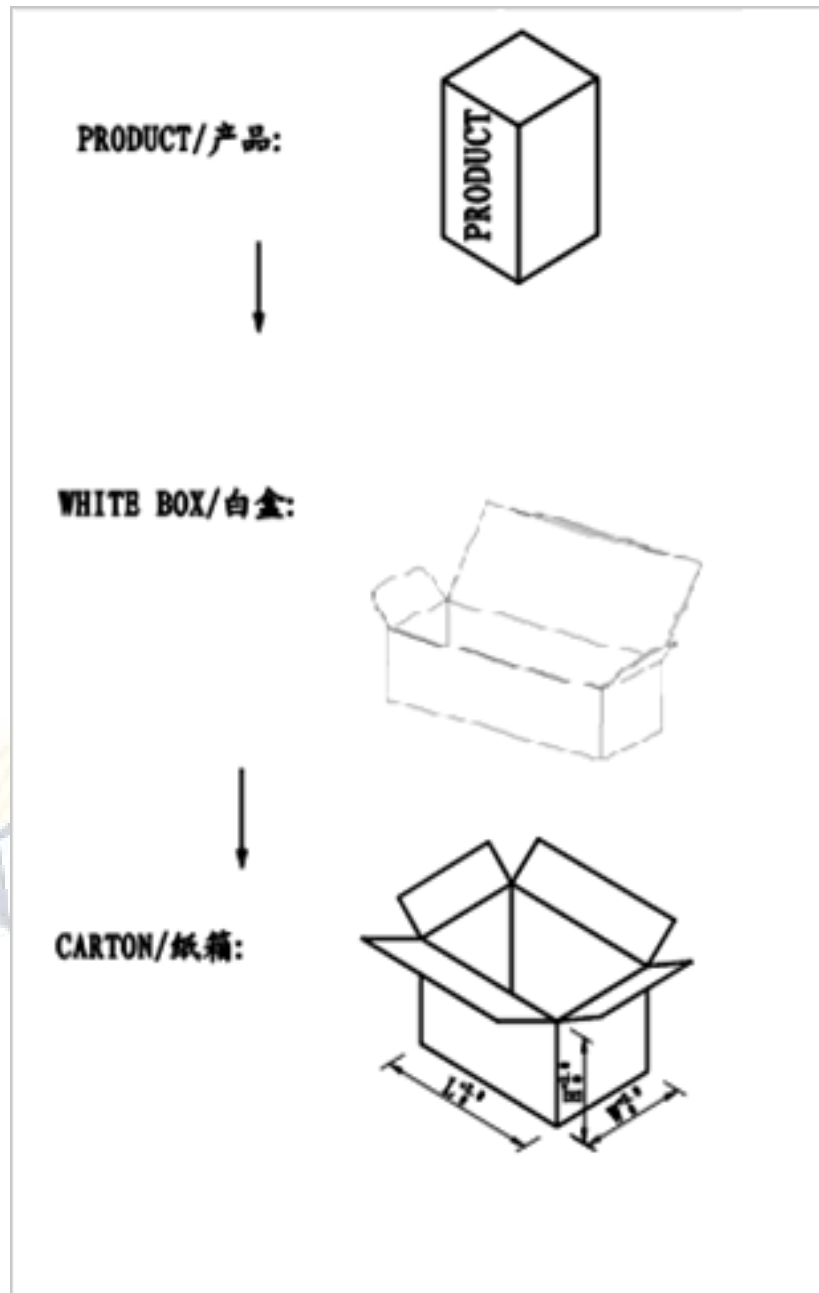
②Ripple and noise measurement methods: terminal to parallel 47uF Ele. Cap and 0.1uF Cer. Cap , in 20 MHZ Bandwidth measurement.

2、Profile Drawing:


3、Laybel Drawing:

L Black G Green N White	RISHANG LED DRIVER MODEL No: LW100-0120833A PF>0.95 For LED Only Constant Voltage Type SELV EFFICIENCY>90% Suitable for Dry,Damp and Wet Locations		
		Class 2 Power Supply ta: 55°C RS01 Output 1 White "+" tc: 85°C Made in China Black "-"	
INPUT Input Voltage 100-240V~ 50/60Hz Output 1 12V= 3.9A Input Current 1.25A Max Output 2 12V= 3.9A	CAUTION: 1. Do not put the product closely to heat source or flammable materials; 2. Right installation for easy heat conduction; 3. Do not touch the product when it's working. S/N:		Output 2 Red "+" Green "-" Date Code : YYMM

4、Packaging Diagram:



5、Packaging Information:

1. Outer Carton: 250*415*170mm; Inner packing box: 200*75*50mm

2. (QTY)/ Quantity: 12 pcs;

3. (NW) / Net Weight: 10.56 kg;

4. (GW) / Gross Weight: 12.36 kg;

5. The actual packed quantity and weight subject to change without prior notice.

6、Note:

1、 For metal shell power supply, Input ground wire must be connected with the earth, Can't impending and joint in the nil wire

2、 Please will power supply installed in a well-ventilated place, to ensure that the environment temperature is appropriate.

3、 Many sets of power supply in parallel access the same point, please pay special attention to grid power cord carrying capacity

4、 When the power supply working, Don't touch metal shell, avoid high temperature scald.

5、 When installation, try to avoid in the mine field and high voltage area.

6、 If failure, please don't self-repairing. If you have any questions, please contact suppliers.

7、 A coutesy reminder

1. According to the consultant's recommendations, kindly tips shall be increased in specifications and contract review.

2. Please pay special attention to power usage environmental conditions, regular inspection and maintenance to avoid safety hazard.

