

# 14 in 1 KIT

## EDUCATIONAL SOLAR ROBOT

Build your own solar robot kit

### Assembly & Instruction

# Manual

## CONTENTS

Product Introduction .....	P.1
Tool You May Need .....	P.1
Mechanical Parts List .....	P.1
Plastic Parts .....	P.2
Sticker A .....	P.2
Sticker B & Zipper bag .....	P.3
Tip .....	P.3
<b>Module Assembly</b>	
Body Module Assembly .....	P.4
Head Module Assembly .....	P.6
Testing .....	P.8
Wheel Module Assembly .....	P.9
Sticker A .....	P.9
Boat Module Assembly .....	P.10
Tips .....	P.12
14 Robot Modes .....	P.13

# 14 in 1 EDUCATIONAL SOLAR ROBOT KIT

## Product Introduction

Alternative energy is the future, so now is the perfect time to start children on the path of learning basic concepts behind these technologies. Fortunately, this product is powered by the sun, there are no batteries required. The robot moves in direct sunlight and allows children to create while using their infinite imagination.


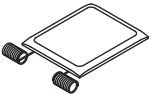


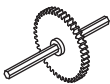

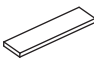

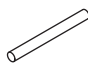
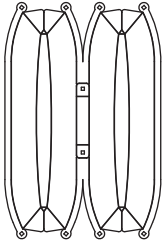
There are two levels in building the robot kit. Level one includes: Turtle-bot, Beetle-bot, Quadru-bot, Boat-bot, Walker-bot, Dog-bot, and Wheel-bot. Then they can challenge their manipulative skills with the second level: Roly Poly-bot, Auto-bot, Slither-bot, Surf-bot, Boxer-bot, Crab-bot and Row-bot.

## Tool You May Need

### Diagonal Cutter

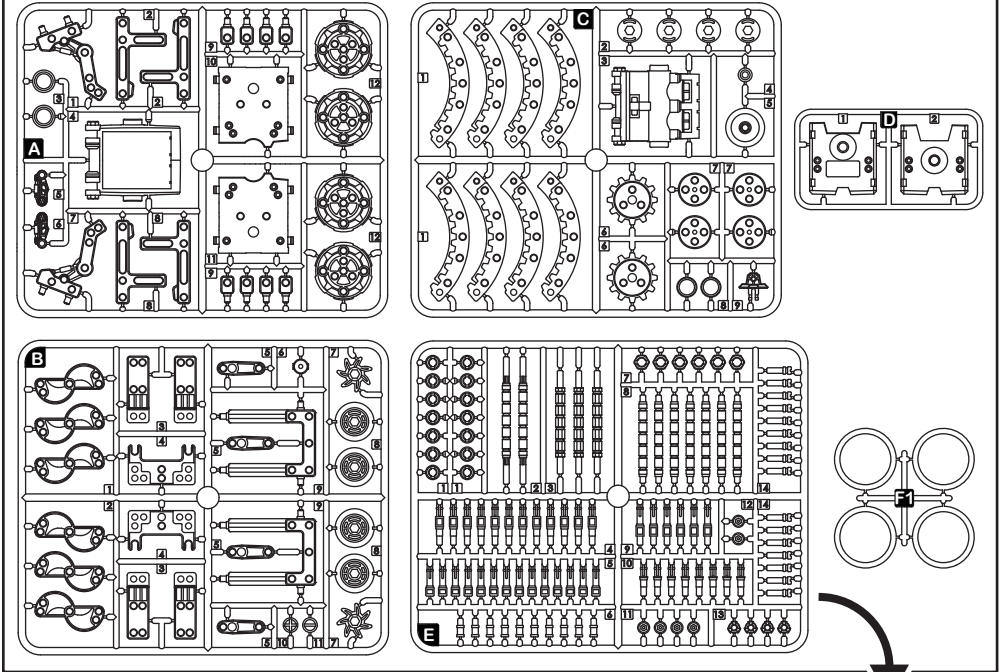


## Mechanical Parts List

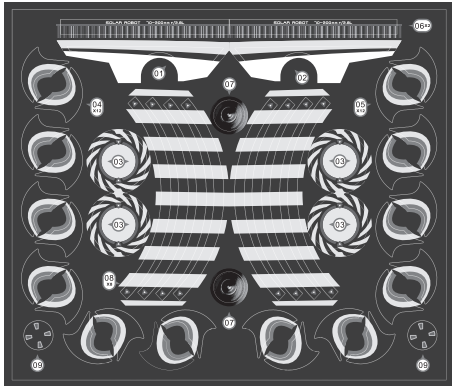
<b>P1 Motor With Connectors</b>		<b>P2 Solar Panel With Springs</b>	
			
 <b>Don't connect the wires to the mains.</b>			
<b>QTY</b> 1		<b>QTY</b> 1	
<b>P3 Pinion Gear(yellow)</b>		<b>P4 Gear With Shaft</b>	
			
<b>QTY</b> 1		<b>QTY</b> 1	
<b>P6 Gear(Green)</b>		<b>P7 Sponge</b>	
			
<b>QTY</b> 1		<b>QTY</b> 2	
<b>P5 Gear(Red)</b>		<b>P8 Round Shaft</b>	
			
<b>QTY</b> 1		<b>QTY</b> 1	
<b>P9 boat</b>			
<b>QTY</b> 1		<b>QTY</b> 1	



# Plastic Parts



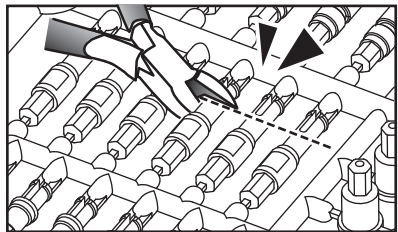
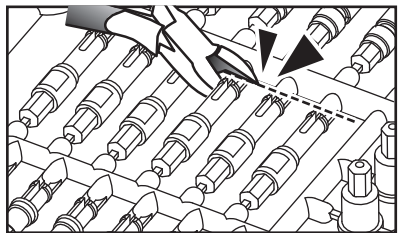
## Sticker A



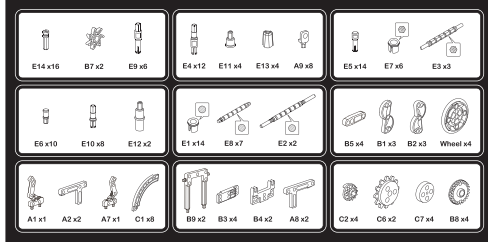
QTY

1

**!** Make sure to cut the plastic parts **E** correctly.



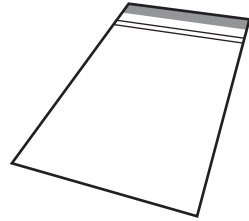
## Sticker B



QTY

1

## Zipper bag



QTY

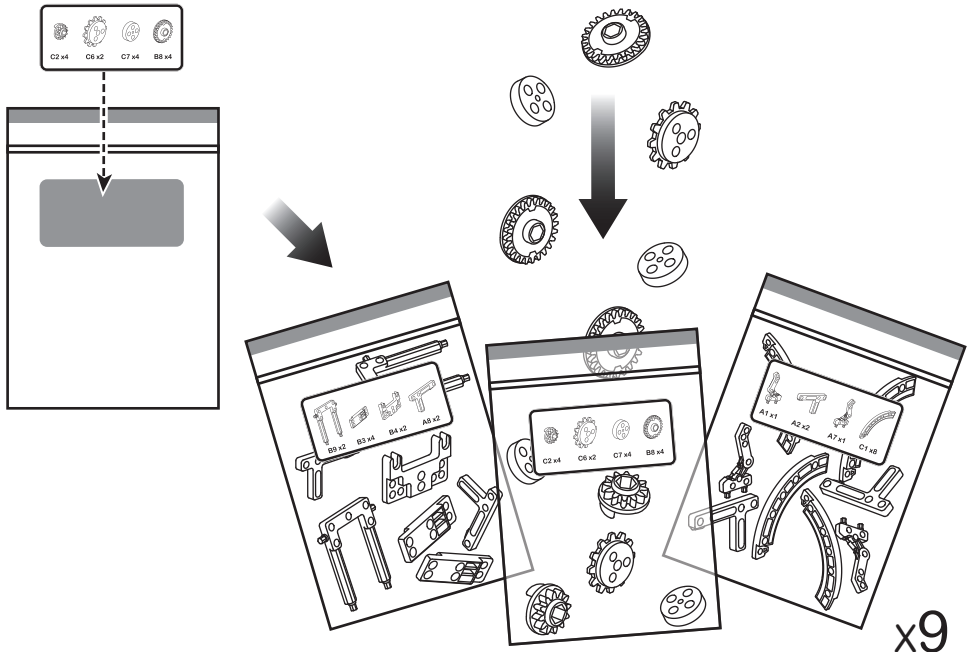
9

## Tip



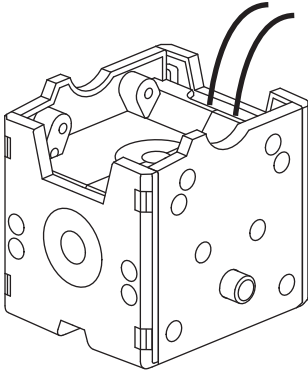
For easy identification of each plastic part, suggest to sort out plastic parts and put them into zipper bags as per instruction.

( P.S. Each zipper bag to be placed an illustrated sticker B (as below) first.)

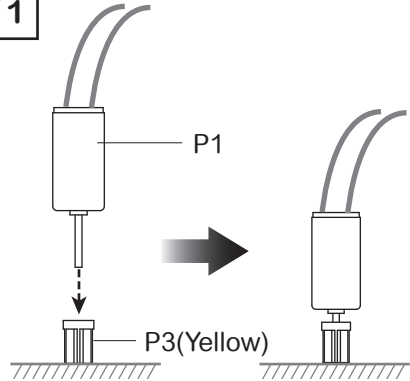


# Body Module Assembly

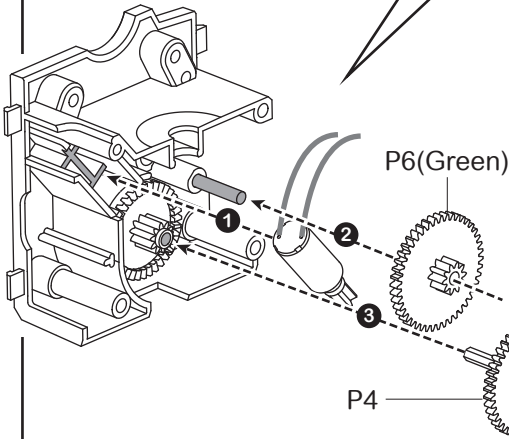
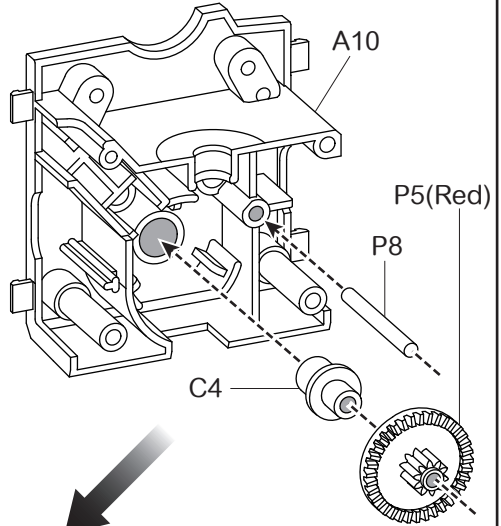
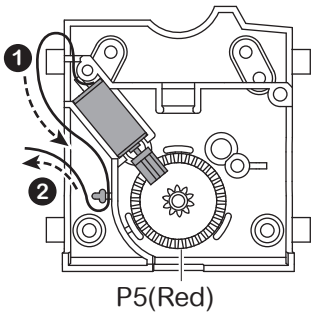
## Finished Product



**B** 1



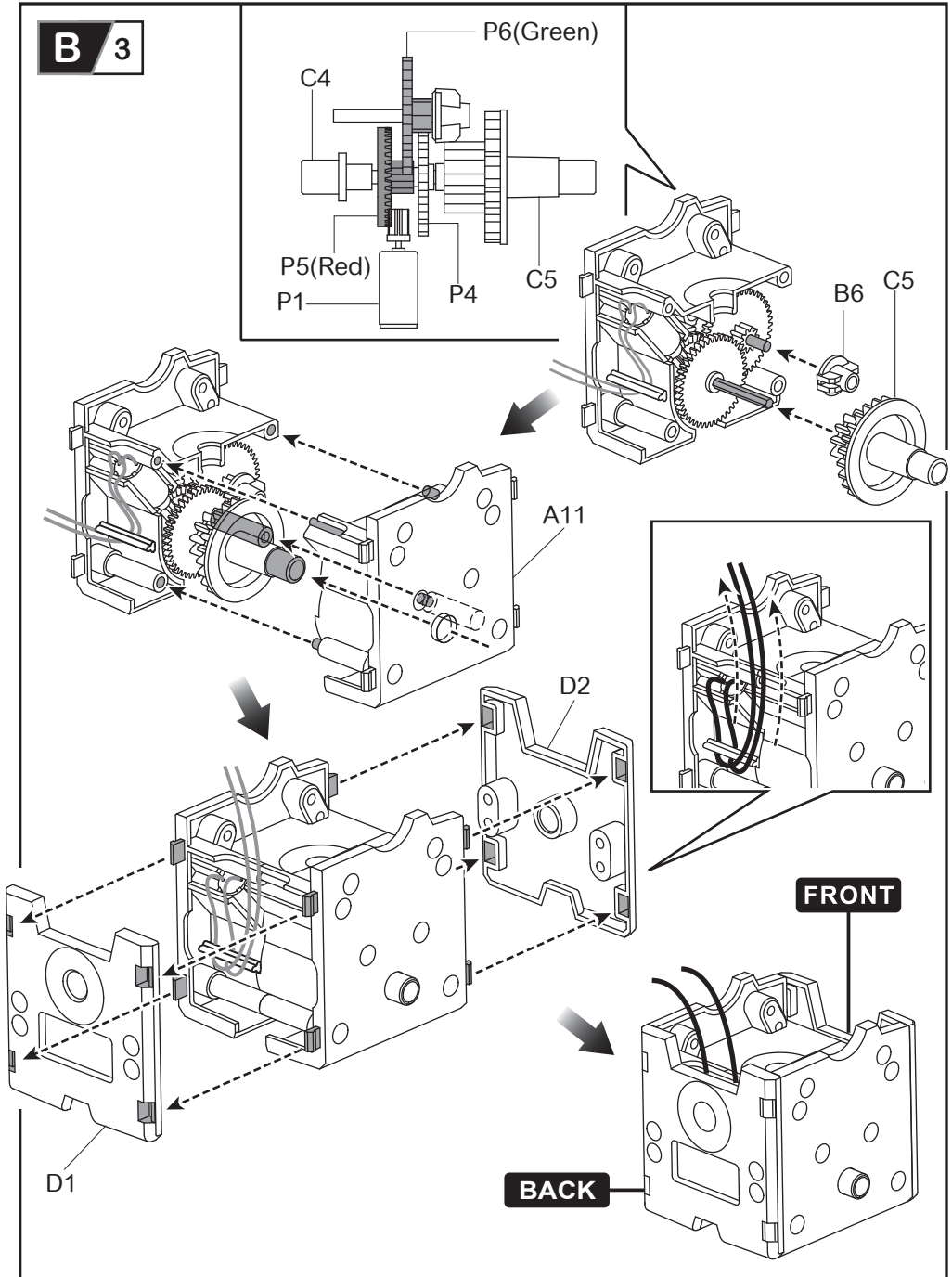
**B** 2



**O**

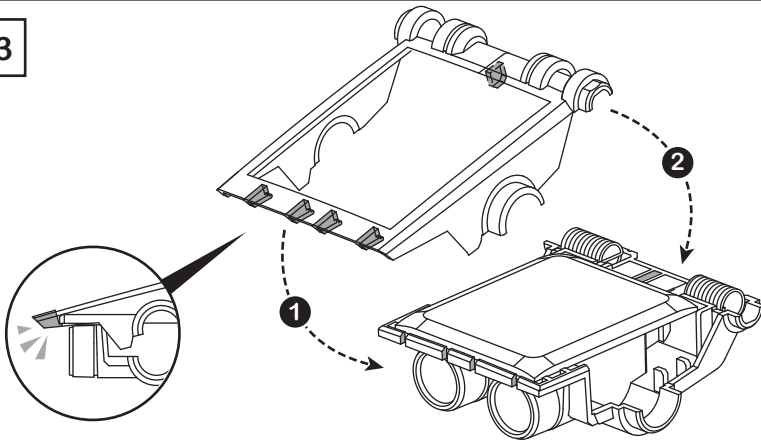
**X**

**B** / 3

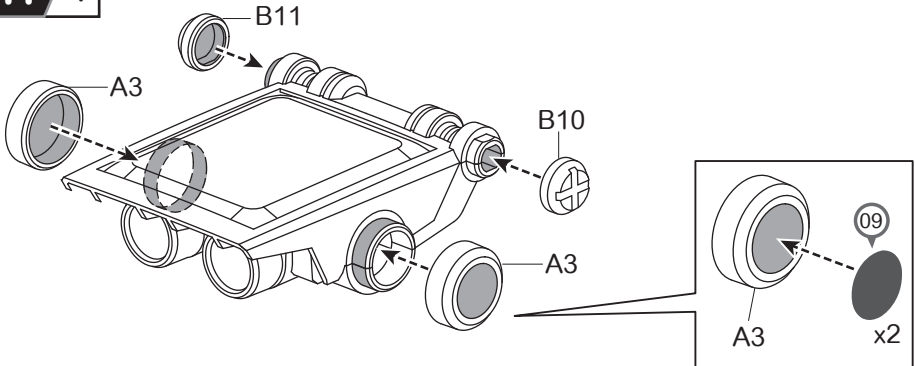




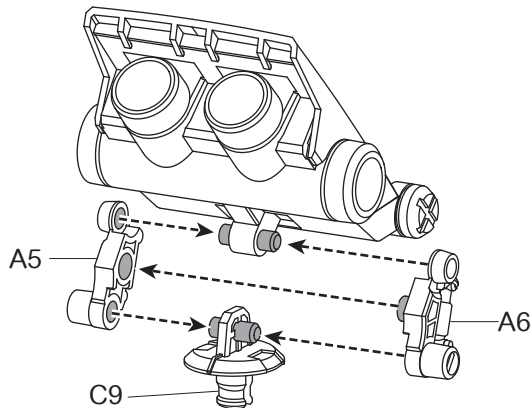
**H** 3



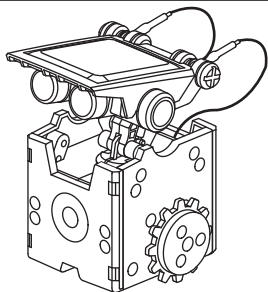
**H** 4



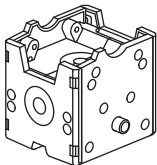
**H** 5



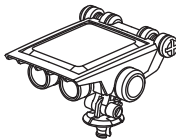
# Testing : You need to test the gear box first.



Prepare the below parts first before you test the “Gear box” and “Solar panel”.



Body  
(Gear Box)

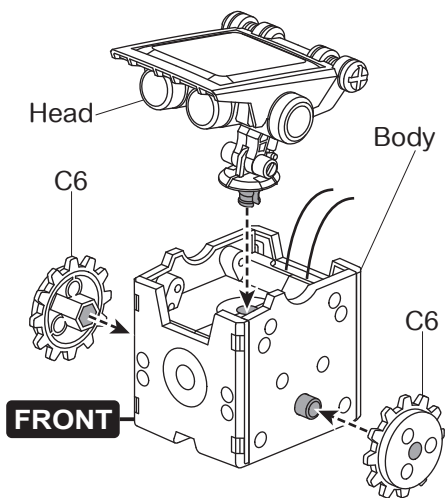


Head  
(Solar Panel)

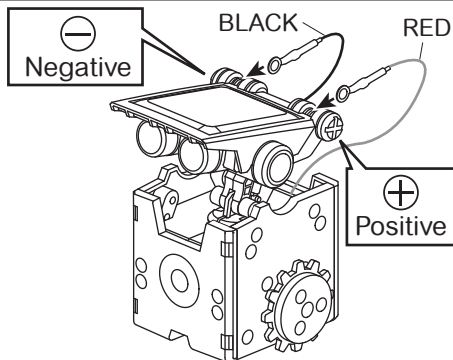


C6 x2

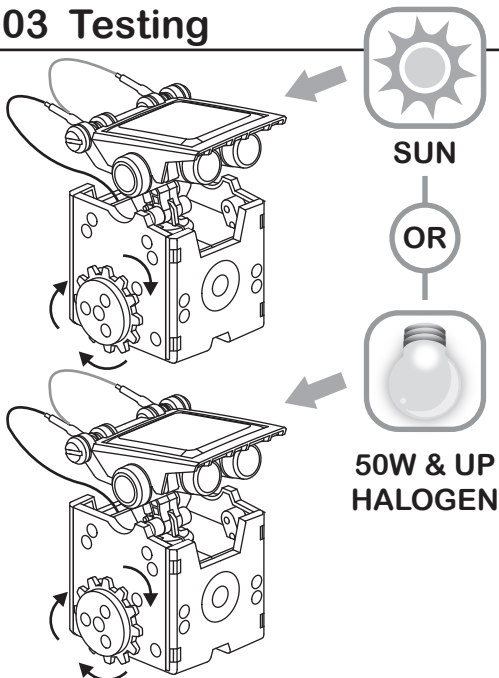
## 01 Assembly



## 02 Wiring



## 03 Testing

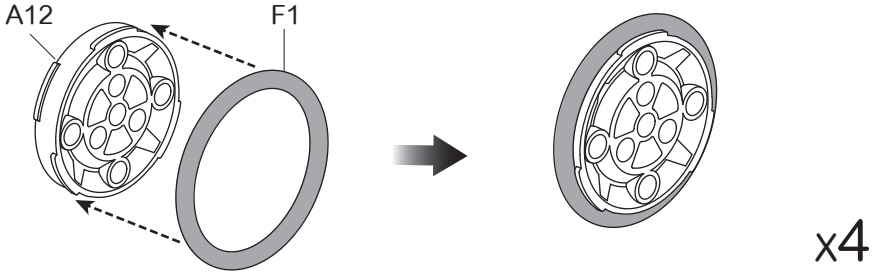


Make sure C6 is turning !

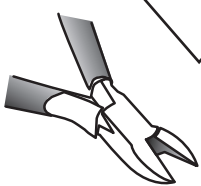
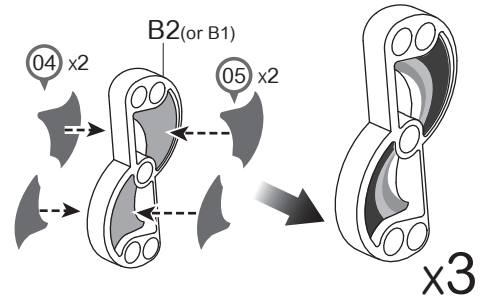
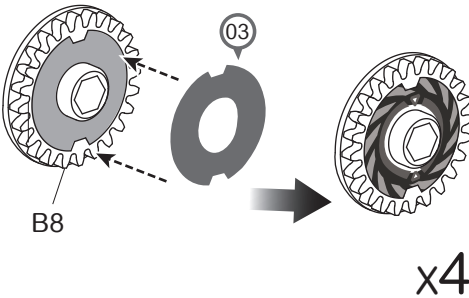
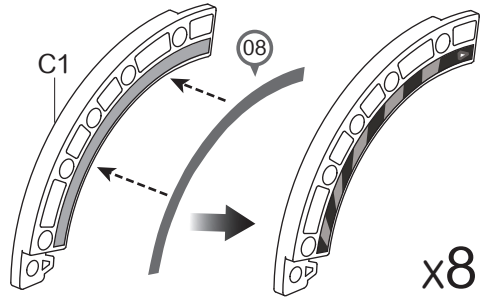
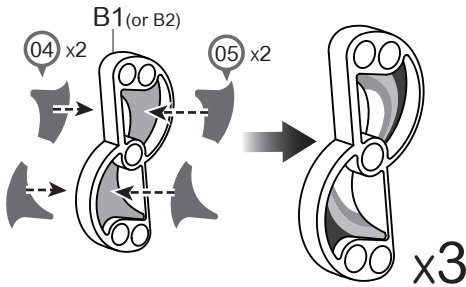
## 04 Trouble shooting

If C6 does not work,  
Please disassemble the gear box,  
and back to the page 4.

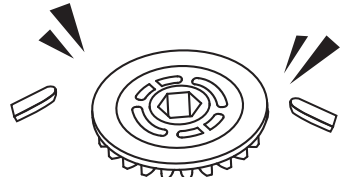
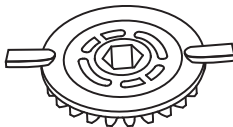
# Wheel Module Assembly



## Sticker A



**Cut off the two burrs before assembly.**

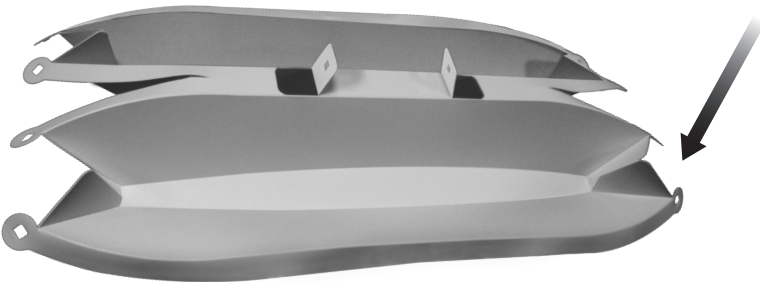
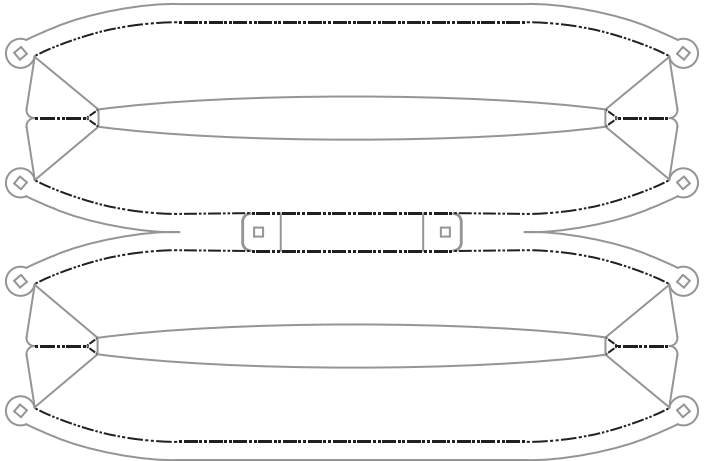
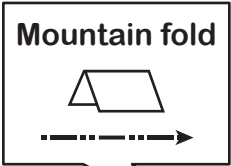
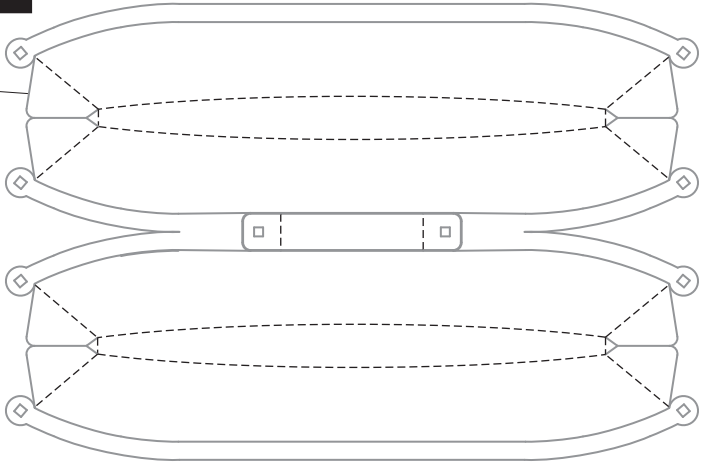
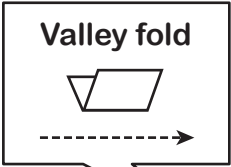


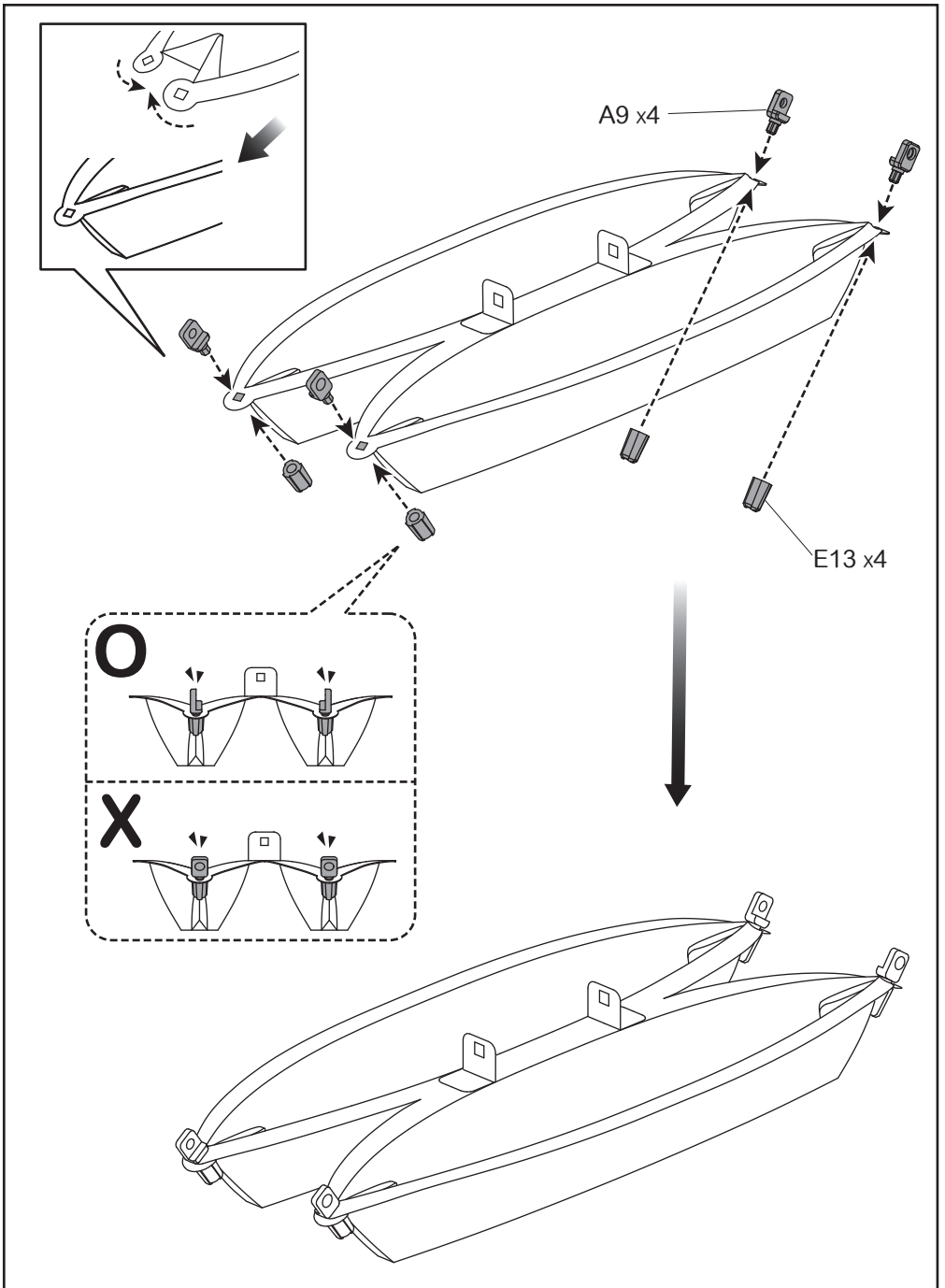


# Boat Module Assembly

form the boat

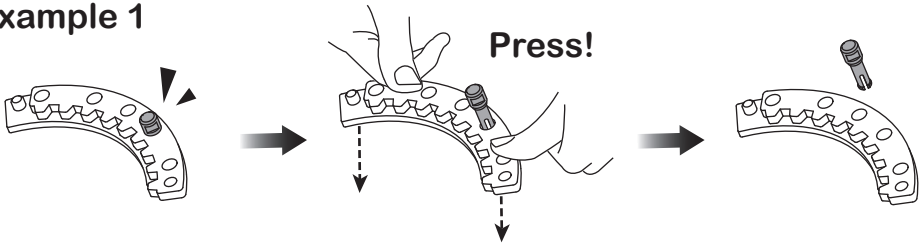
P9



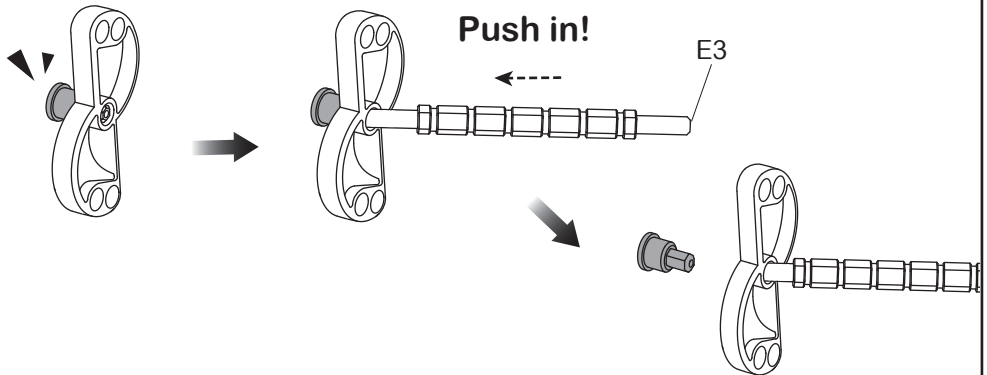


## Tips (When your part's stuck.)

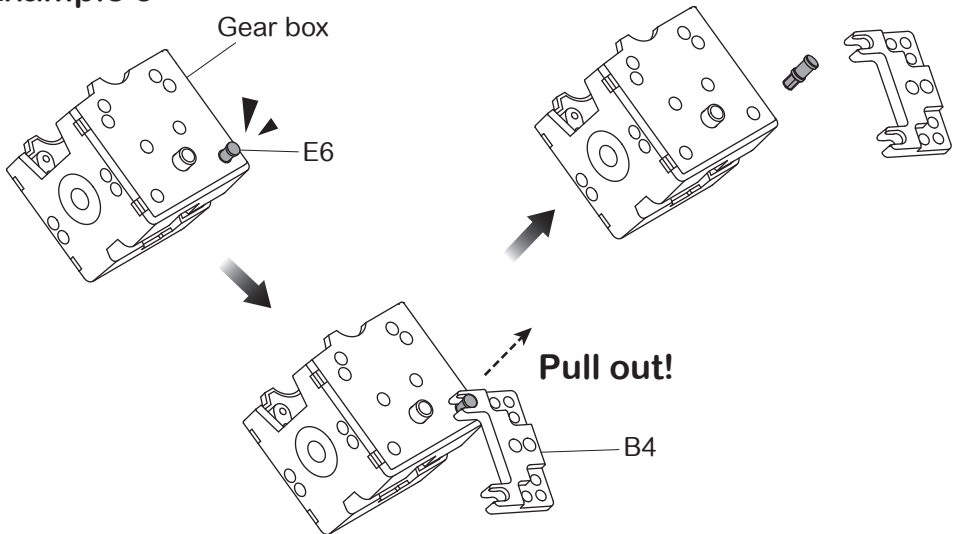
### Example 1



### Example 2

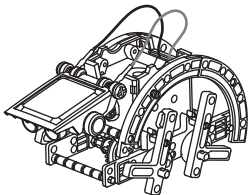


### Example 3



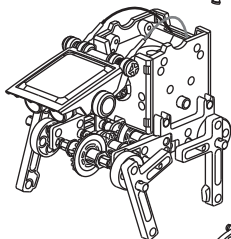
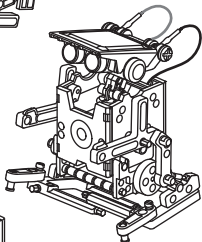
# 14 Robot Modes

## LEVEL 1



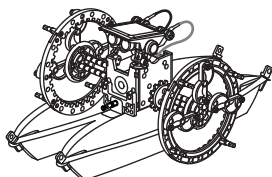
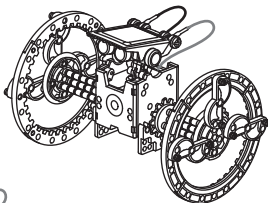
P.14 **01**  
Turtle-bot

**02** P.19  
Walker-bot



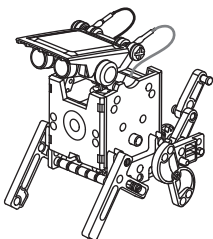
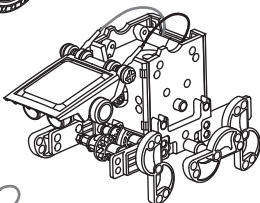
P.22 **03**  
Quadru-bot

**04** P.27  
Wheel-bot



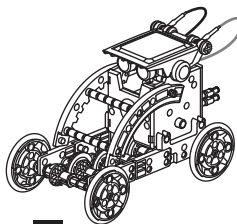
P.32 **05**  
Boat-bot

**06** P.37  
Beetle-bot



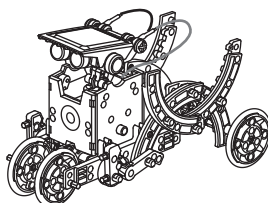
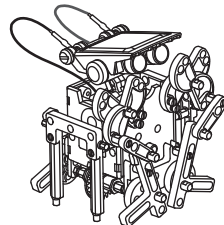
P.42 **07**  
Dog-bot

## LEVEL 2



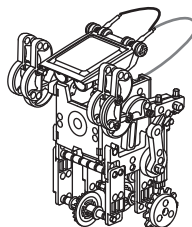
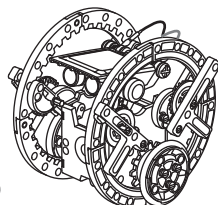
P.46 **08**  
Auto-bot

**09** P.50  
Crab-bot



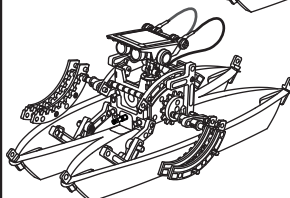
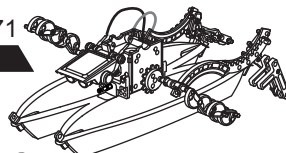
P.55 **10**  
Slither-bot

**11** P.60  
Roly poly-bot



P.66 **12**  
Boxer-bot

**13** P.71  
Surf-bot

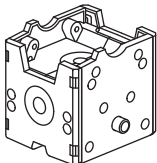
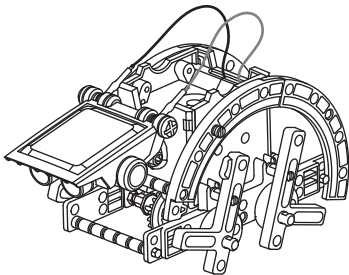


P.76 **14**  
Row-bot

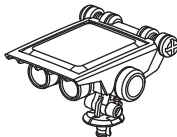
# 01 Turtle-bot Assembly

**Level 1**

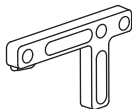
Prepare the below parts first before you assemble the "Turtle-bot".



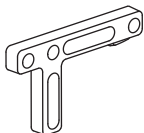
**Body**



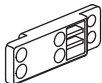
**Head**



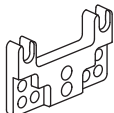
**A2 x2**



**A8 x2**



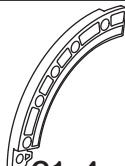
**B3 x4**



**B4 x2**



**B8 x3**



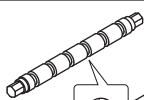
**C1 x4**



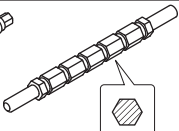
**C2 x1**



**C7 x4**



**E8 x5**



**E3 x2**



**E6 x4**



**E14 x2**



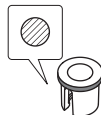
**E5 x4**



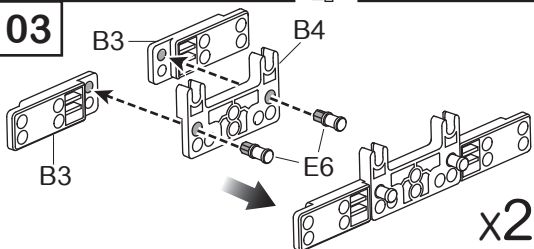
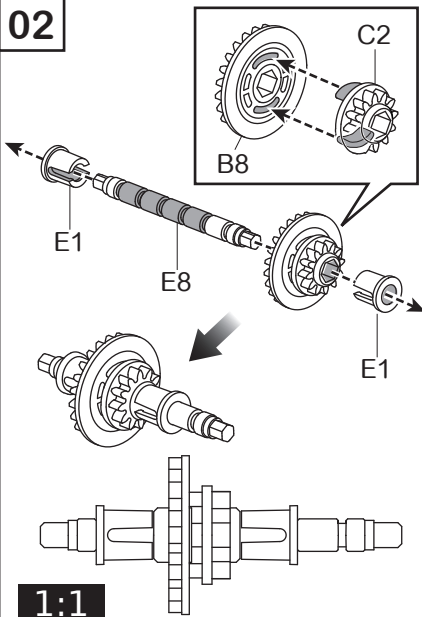
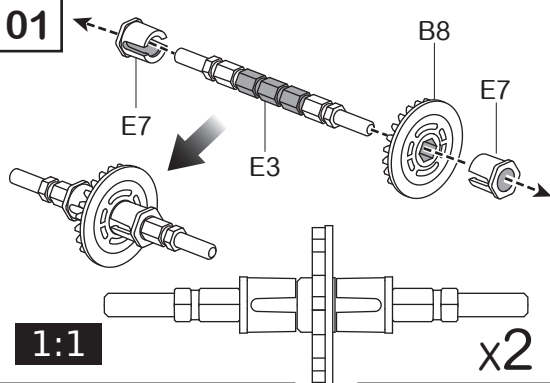
**E4 x4**



**E7 x4**

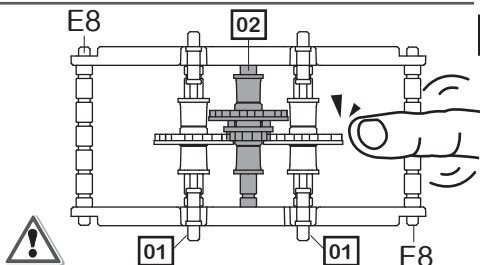
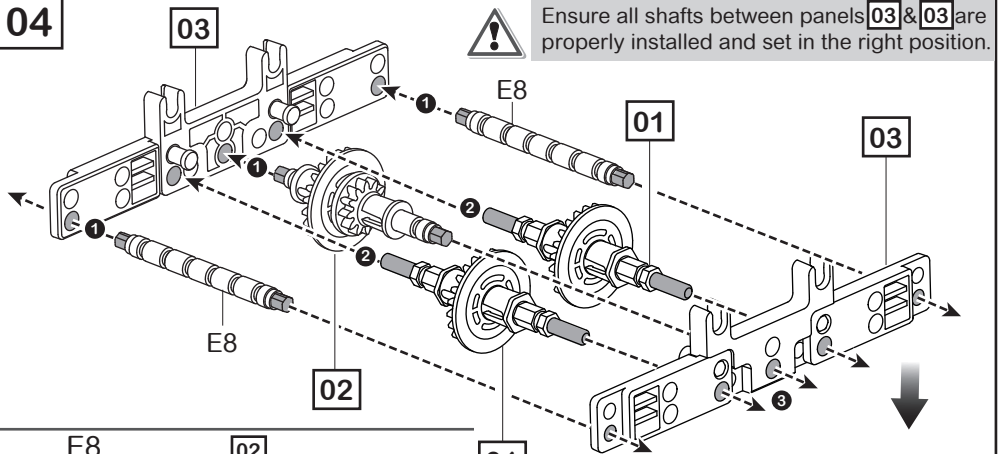


**E1 x2**

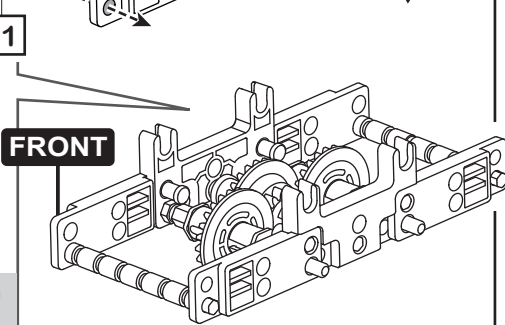


04

Ensure all shafts between panels 03 & 03 are properly installed and set in the right position.

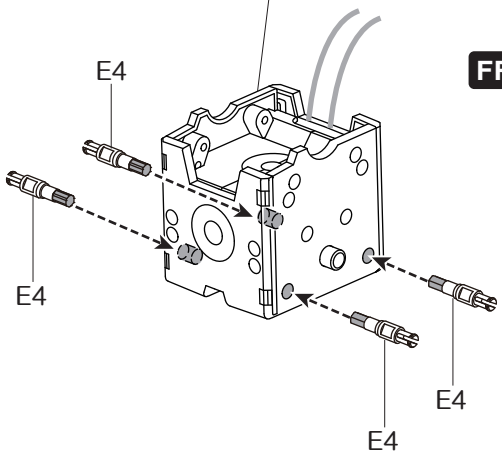


Check the gear box engagement by rotating it with a finger, and make sure it is running smoothly.



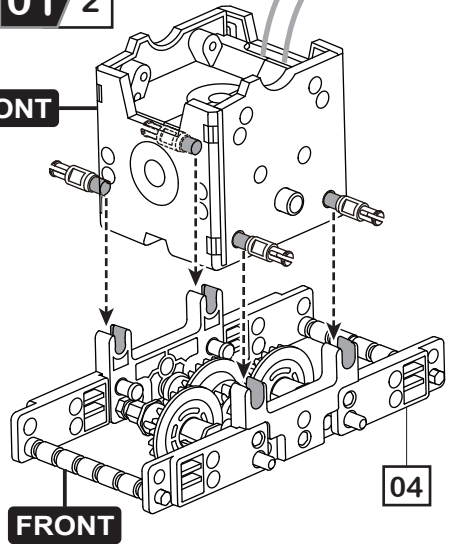
01 / 1

Body



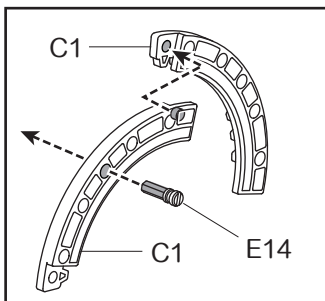
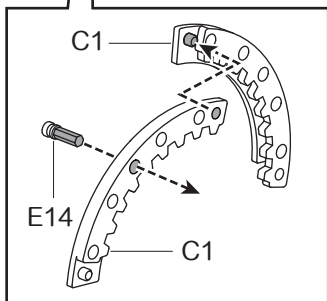
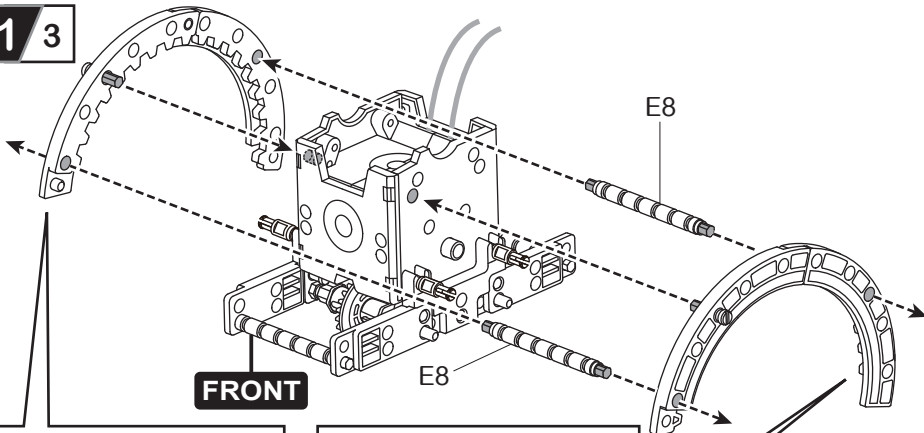
01 / 2

FRONT

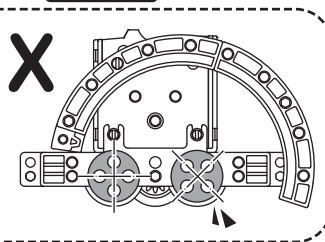
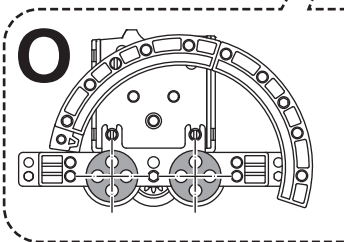
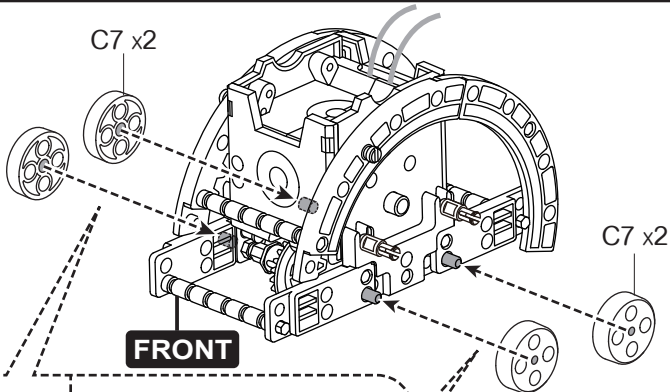


04

01 / 3

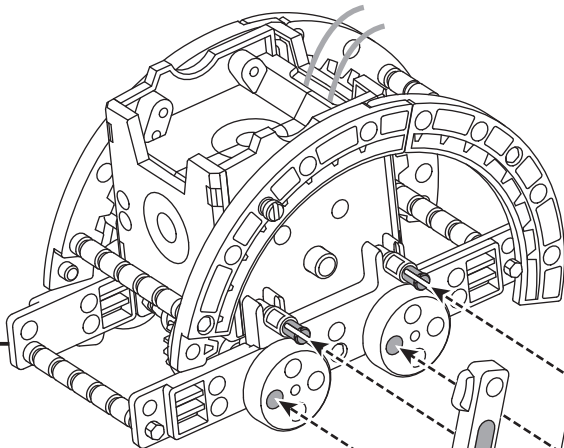


01 / 4



01 / 5

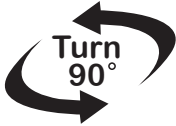
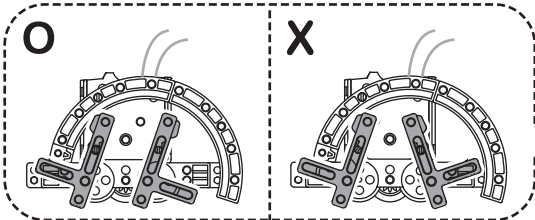
FRONT



A8

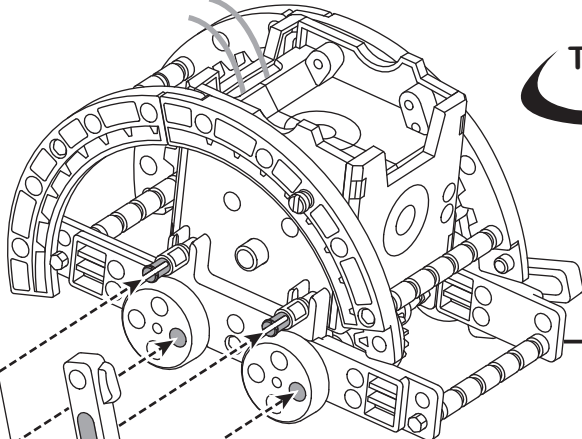
A2

E5



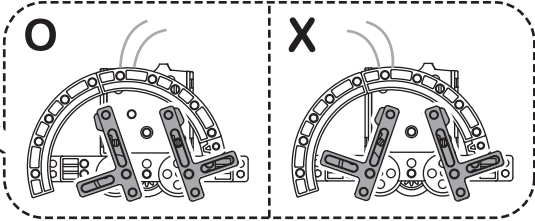
A2

FRONT



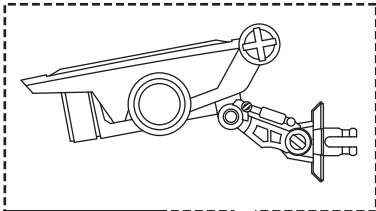
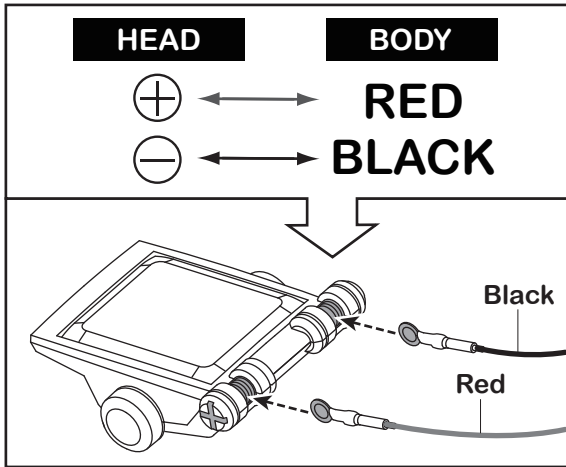
E5

A8

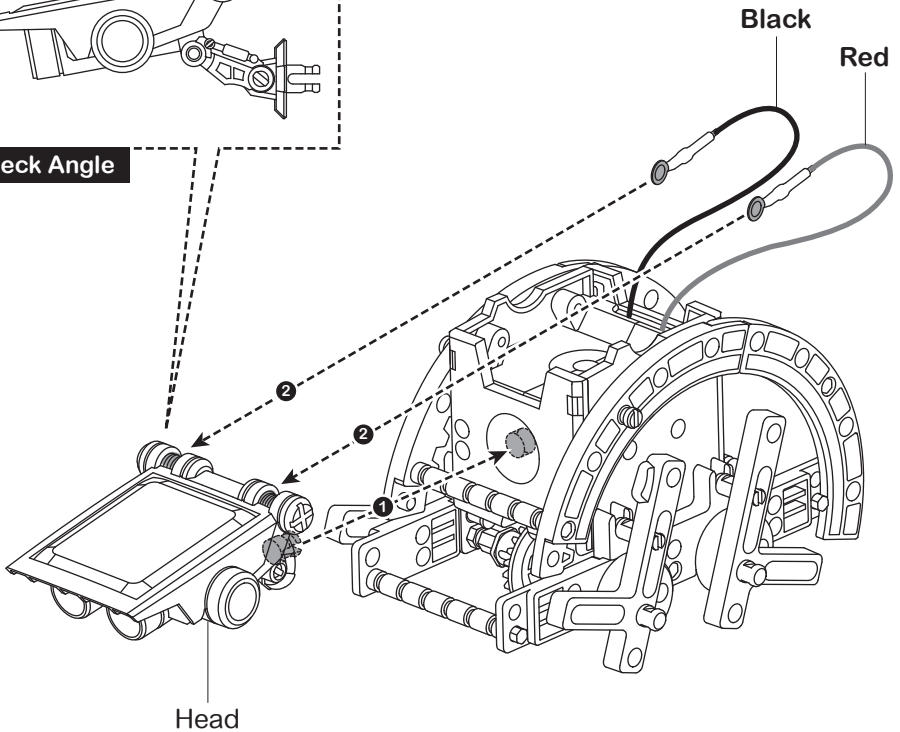




01 / 6

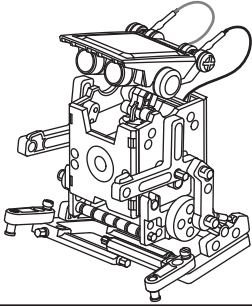


Neck Angle

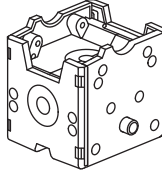


# 02 Walker - bot Assembly

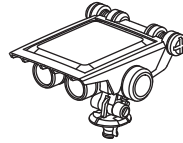
Level 1



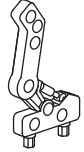
Prepare the below parts first before you assemble the "Walker-bot".



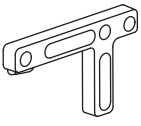
Body



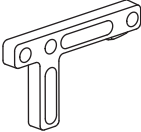
Head



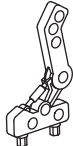
A1 x1



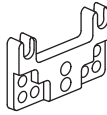
A2 x1



A8 x1



A7 x1



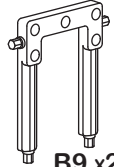
B4 x2



B5 x2



B8 x1



B9 x2



C7 x2



E6 x6



E14 x2



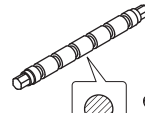
E5 x4



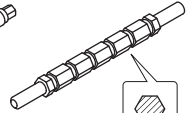
E4 x2



E7 x2

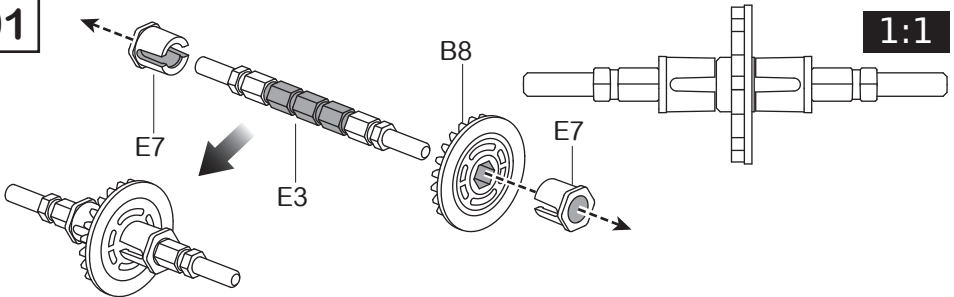


E8 x2

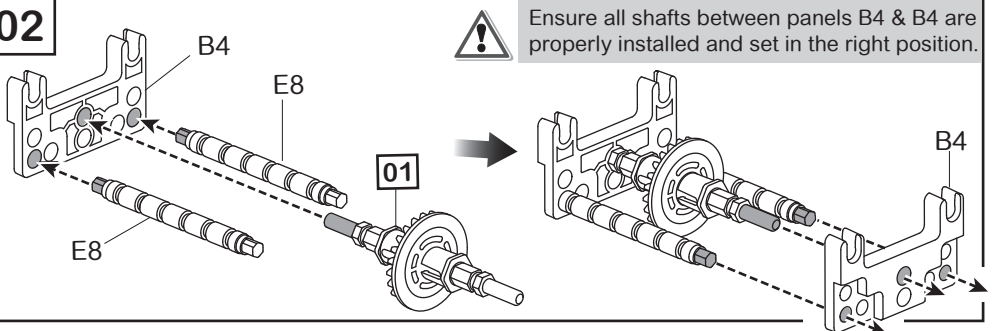


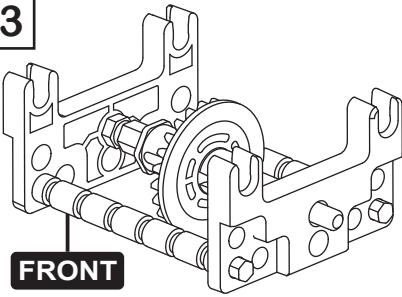
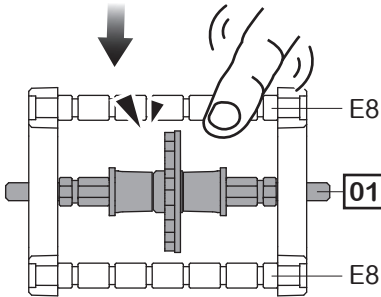
E3 x1

01

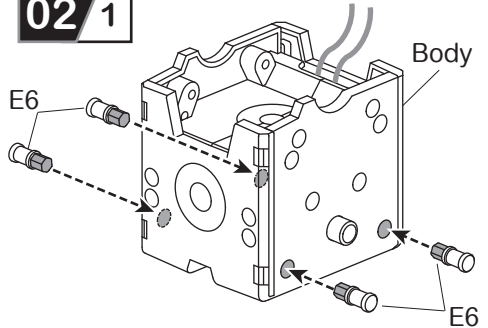


02

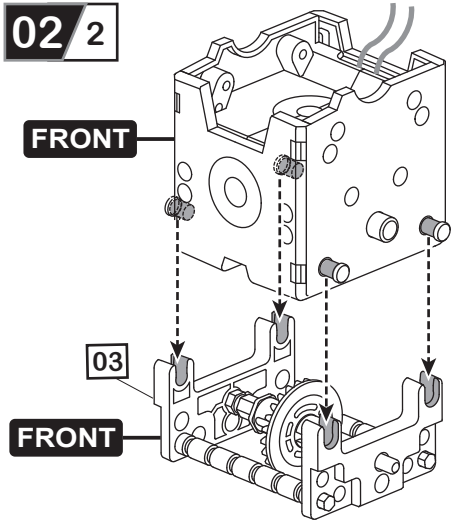
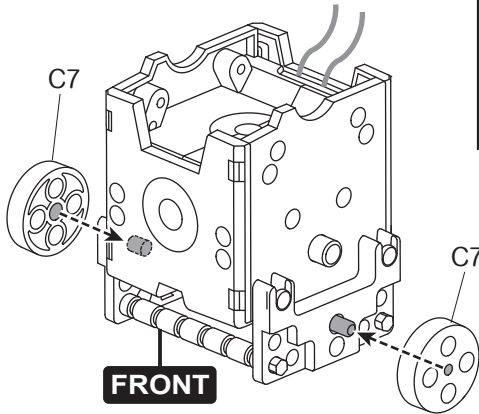
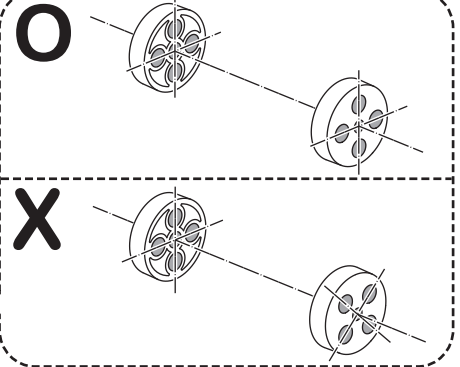


**03****FRONT**

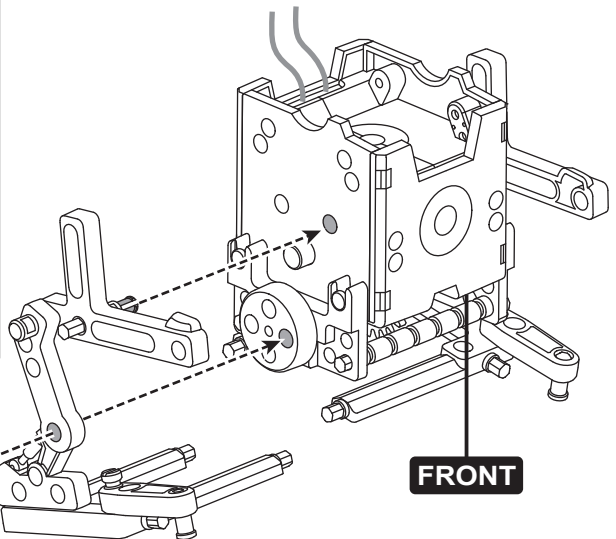
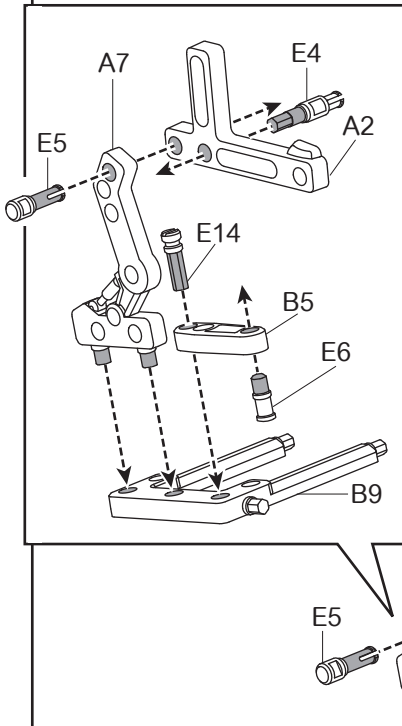
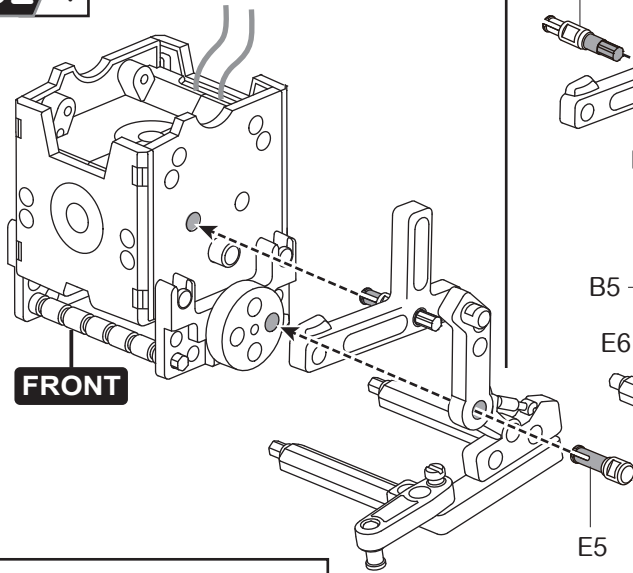
Check the gear box engagement by rotating it with a finger, and make sure it is running smoothly.

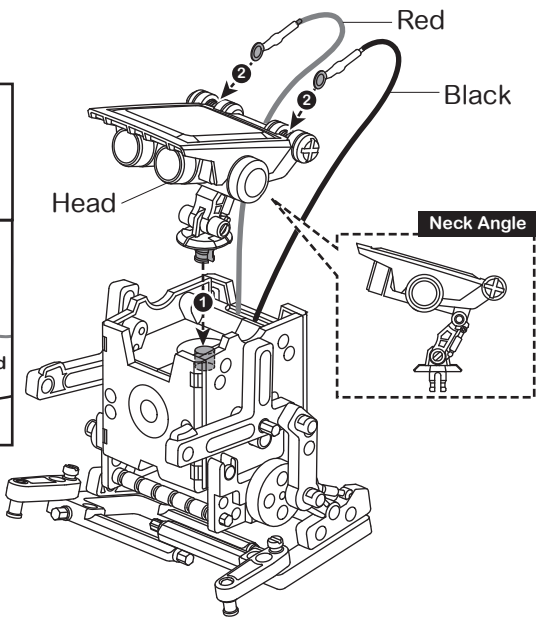
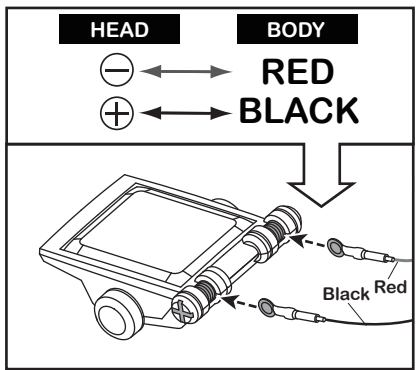
**02 / 1**

Body

**02 / 2****FRONT****FRONT****02 / 3****FRONT**

02 / 4

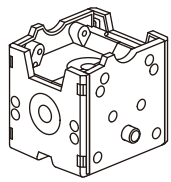
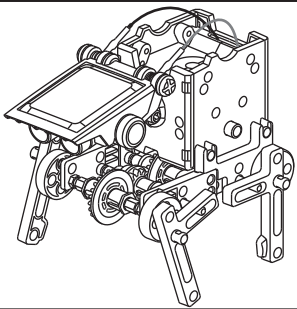




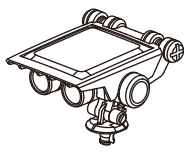
### 03 Quadru-bot Assembly

### Level 1

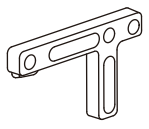
Prepare the below parts first before you assemble the "Quadru-bot".



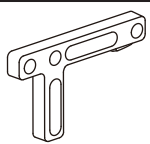
Body



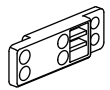
Head



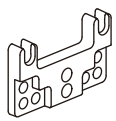
A2 x2



A8 x2



B3 x2



B4 x2



B8 x4



C2 x2



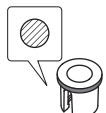
C7 x4



E6 x6



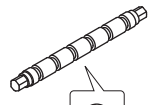
E5 x4



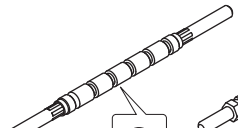
E1 x6



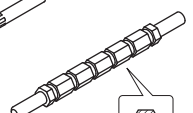
E7 x4



E8 x1

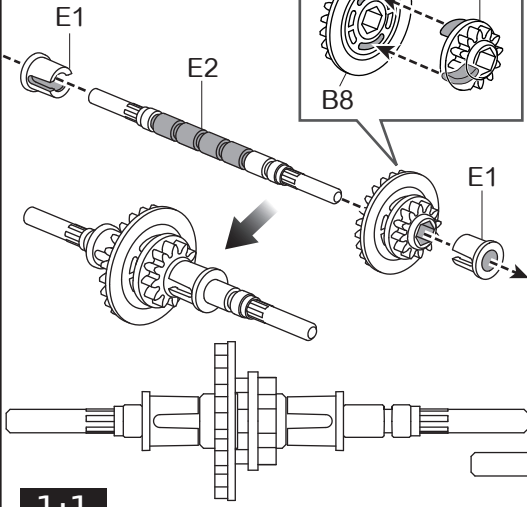


E2 x2



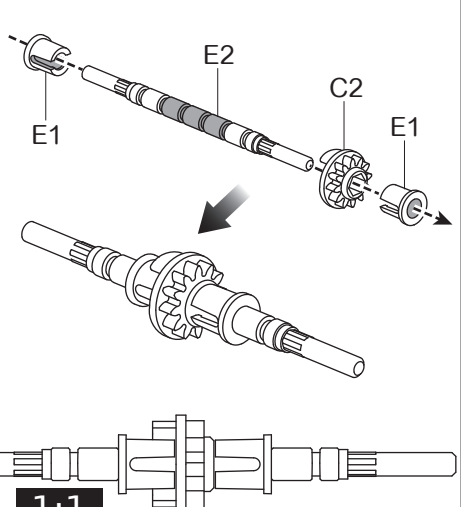
E3 x2

01



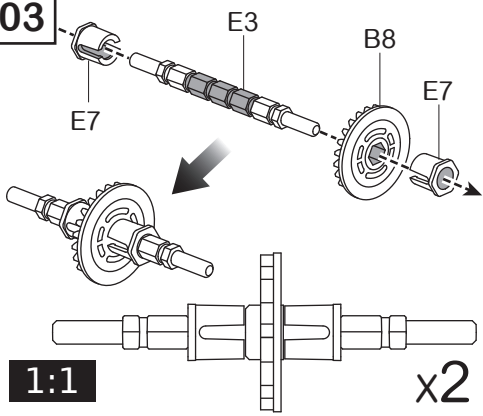
1:1

02



1:1

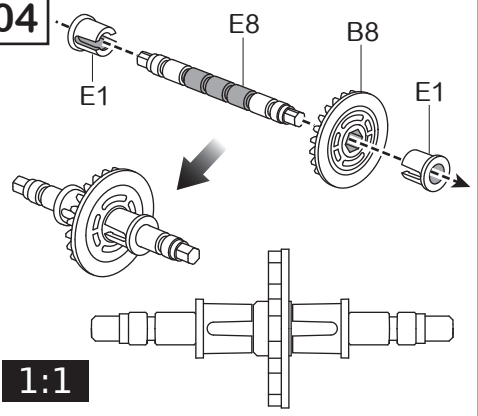
03



1:1

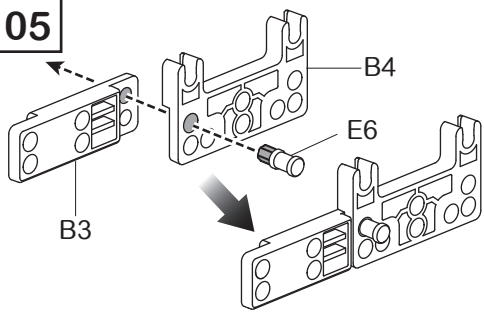
x2

04

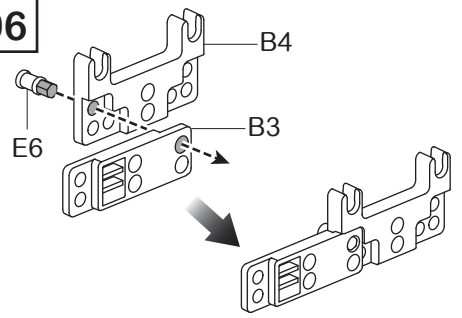


1:1

05



06



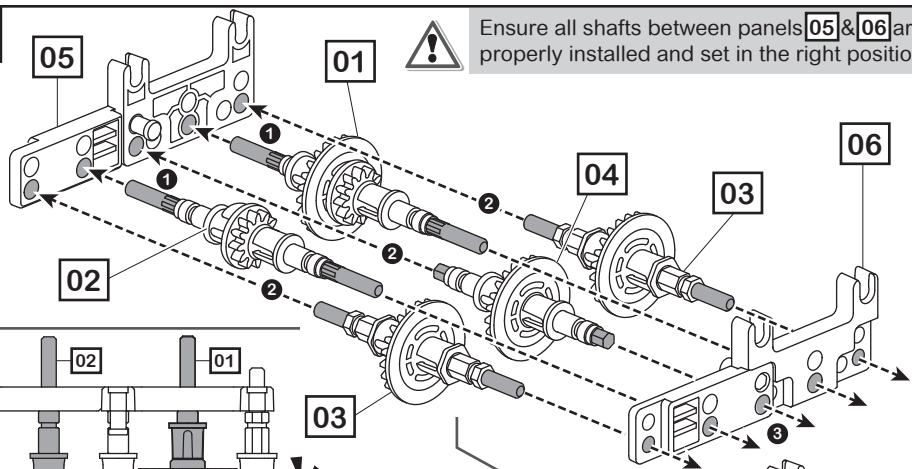
07

05

01



Ensure all shafts between panels 05 & 06 are properly installed and set in the right position.

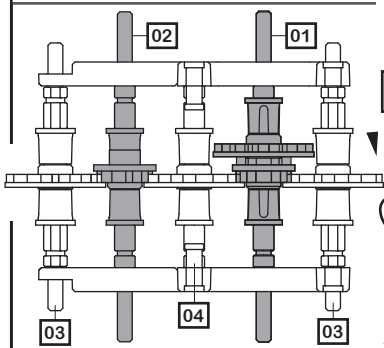


06

02

04

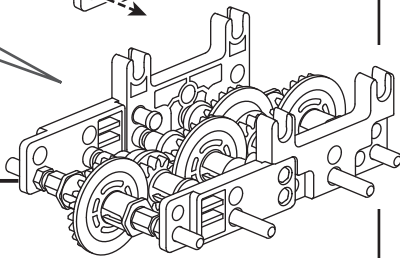
03



03

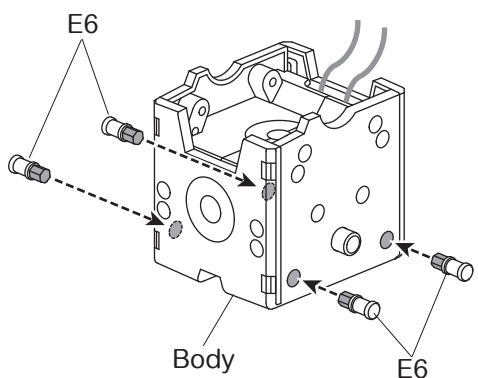


FRONT



Check the gear box engagement by rotating it with a finger, and make sure it is running smoothly.

03 / 1

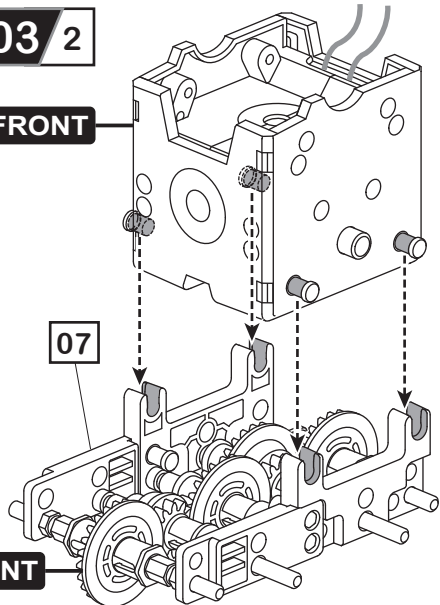


Body

E6

03 / 2

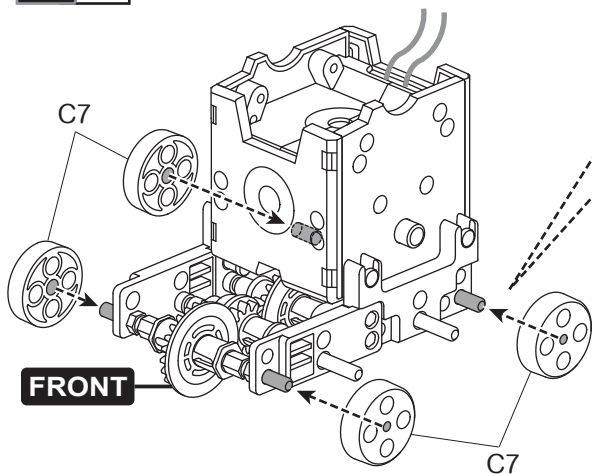
FRONT



07

FRONT

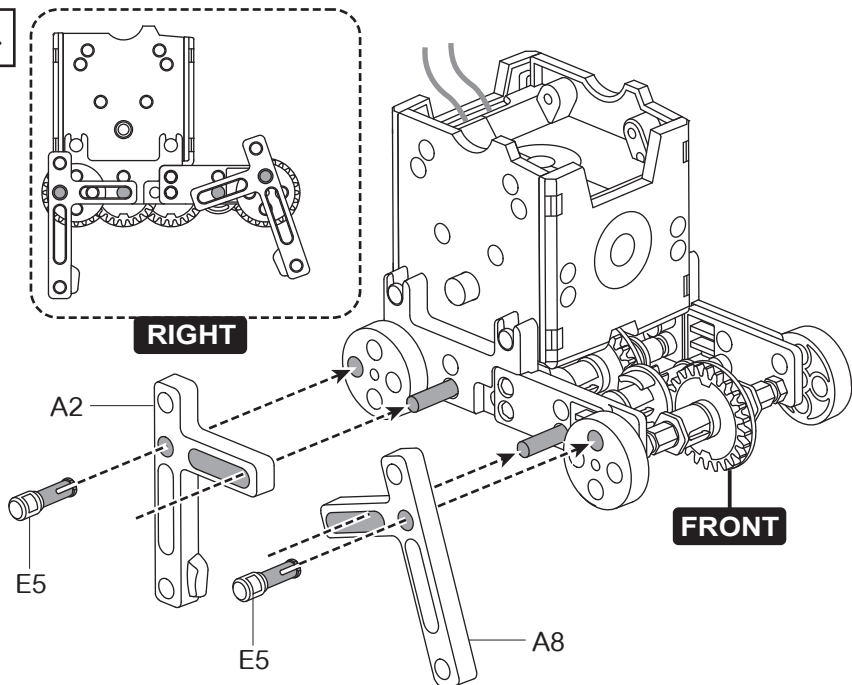
03 / 3



O

X

03 / 4

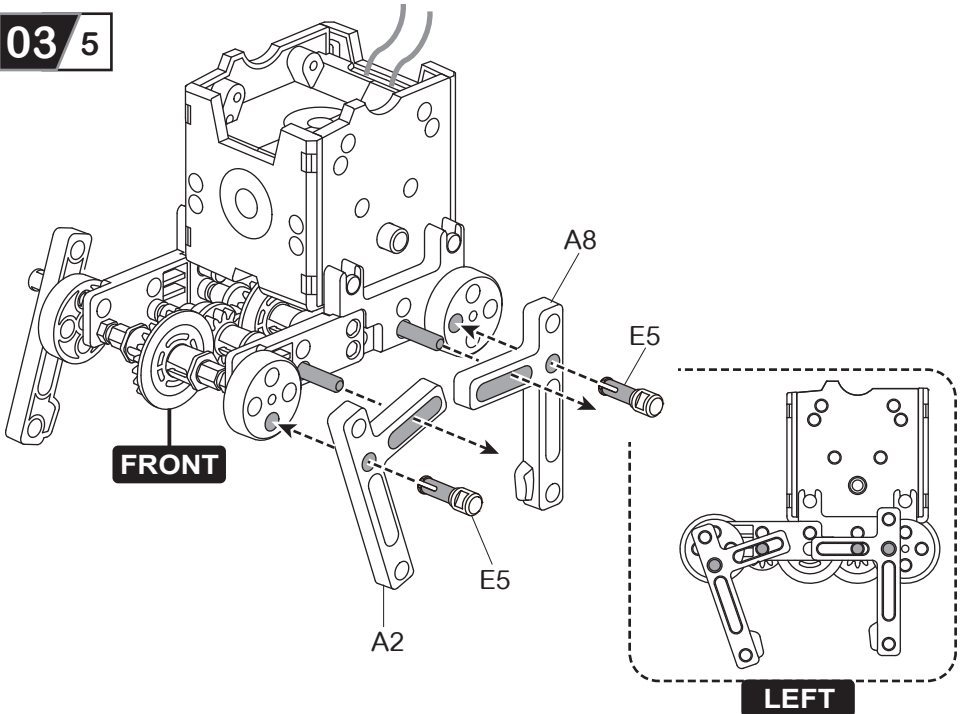


RIGHT

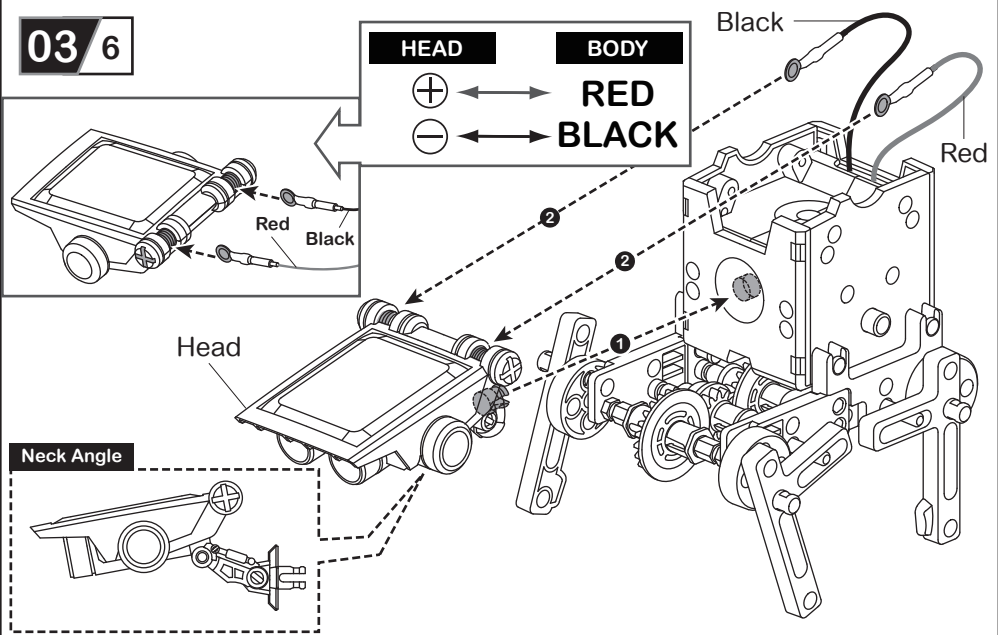
FRONT



03 / 5

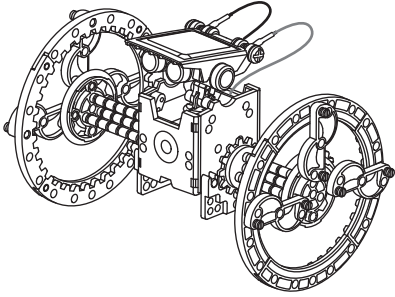


03 / 6

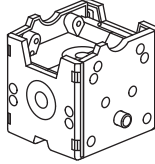


# 04 Wheel-bot Assembly

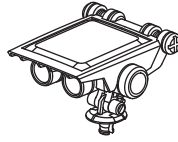
Level 1



Prepare the below parts first before you assemble the "Wheel-bot".



Body



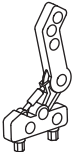
Head



Wheel x4



A1 x1



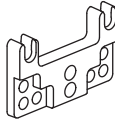
A7 x1



B1 x3



B2 x3



B4 x2



C6 x2



C1 x8



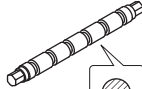
E6 x4



E14 x14



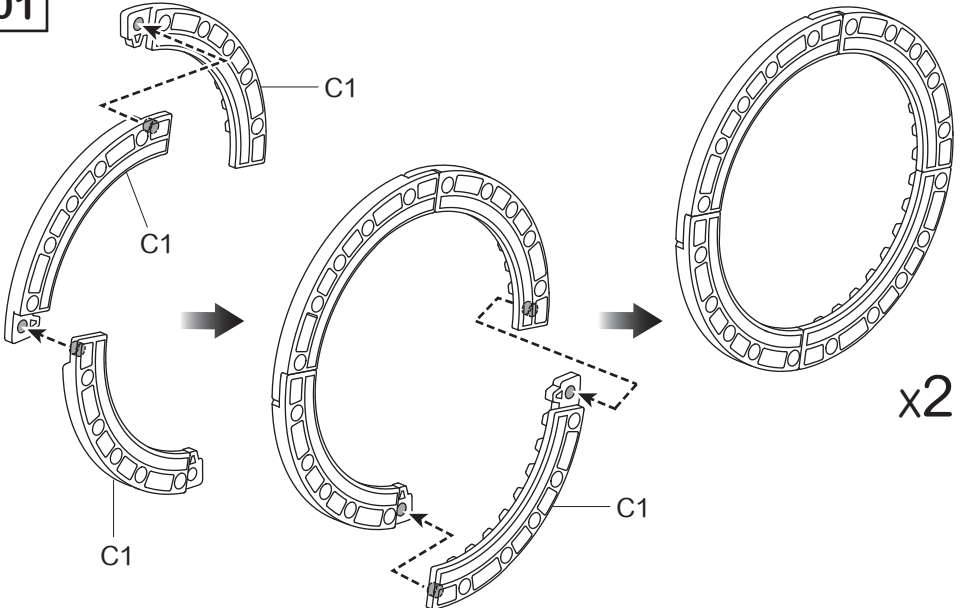
E10 x2



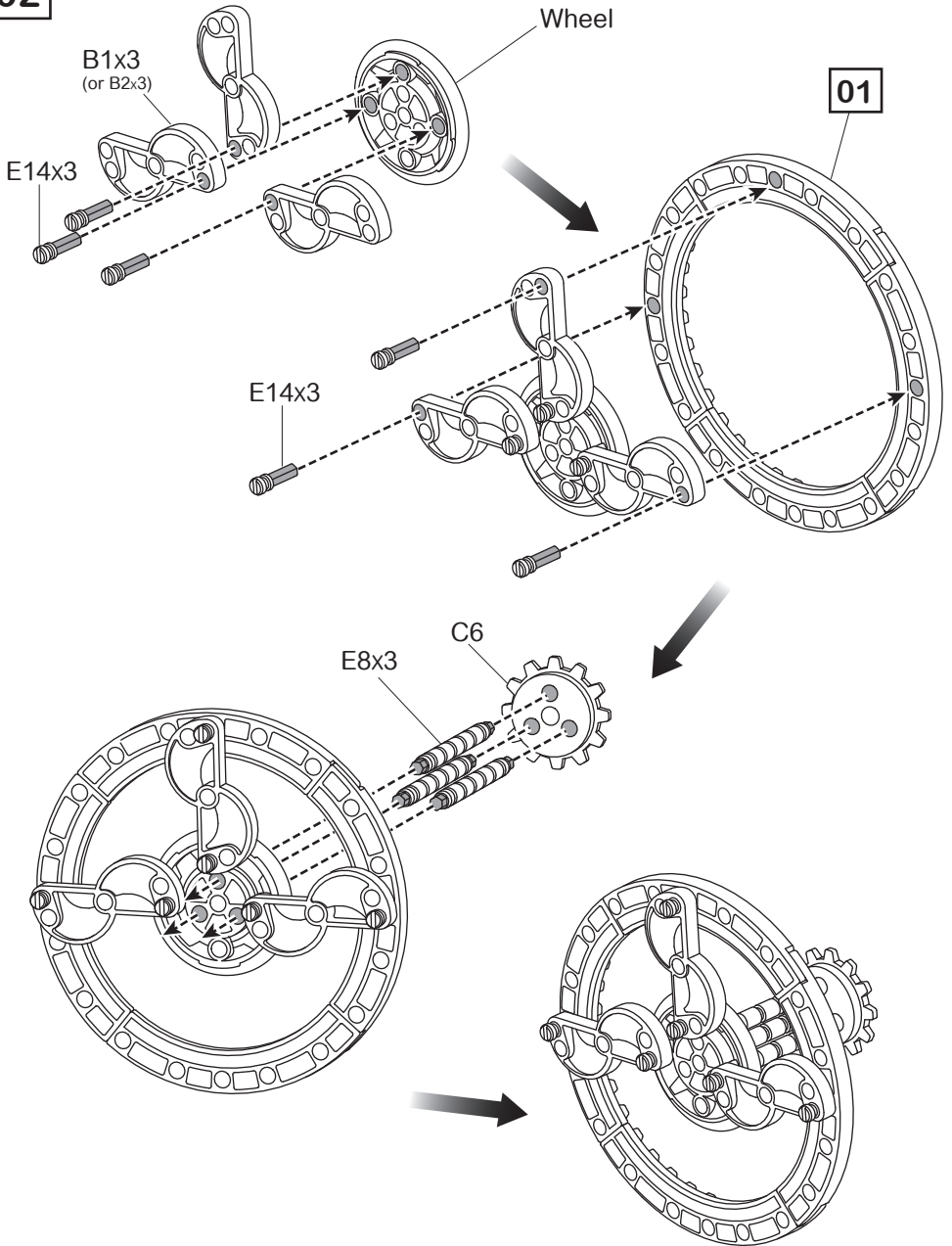
E8 x6



01



02



03

01

Wheel

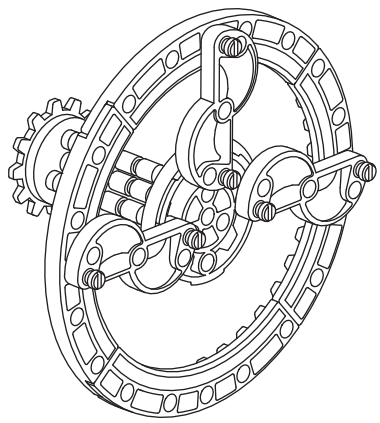
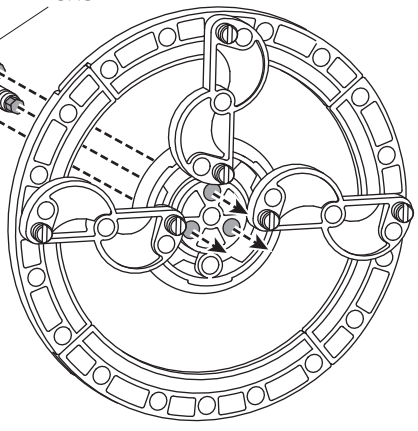
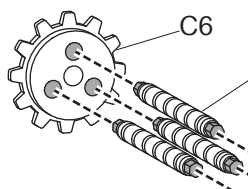
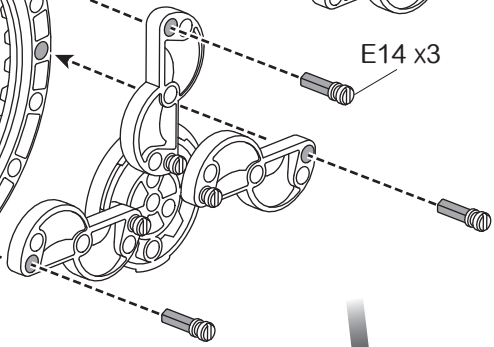
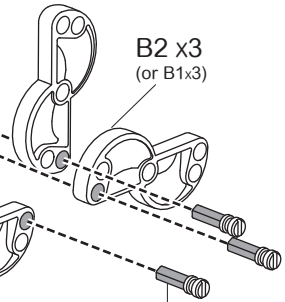
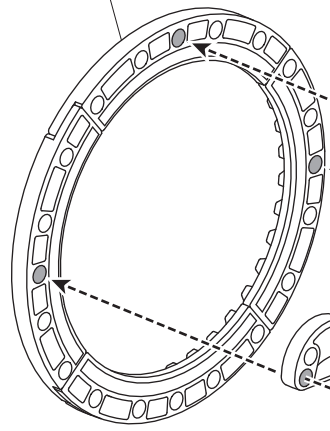
B2 x3  
(or B1x3)

E14 x3

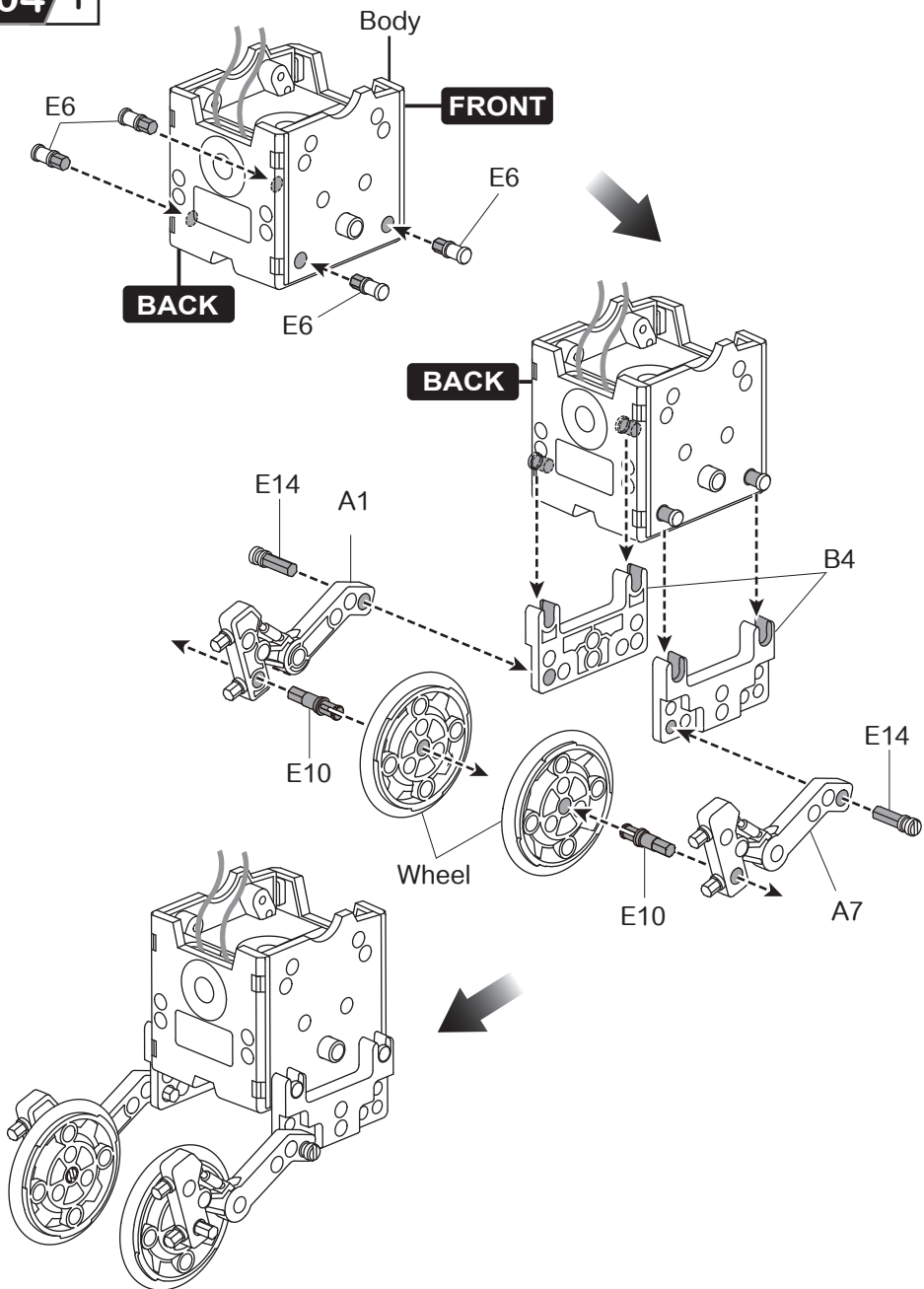
E14 x3

C6

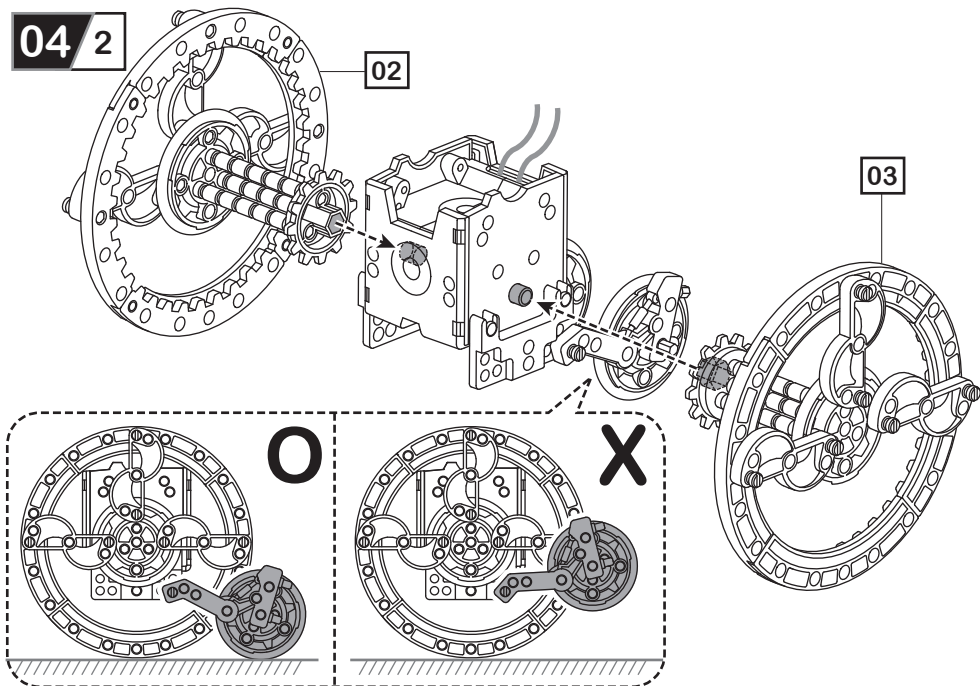
E8x3



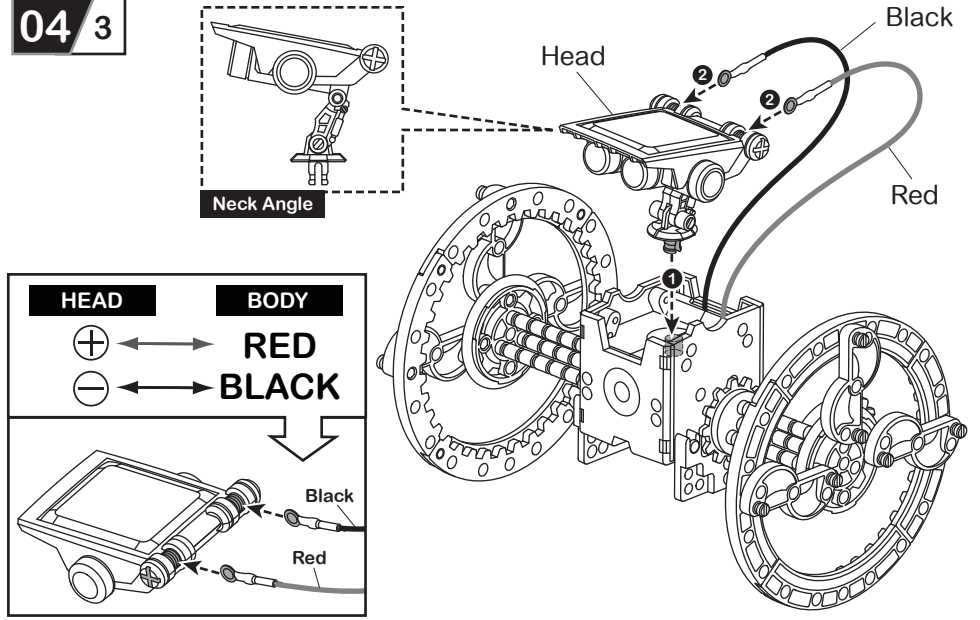
04 / 1



04 / 2

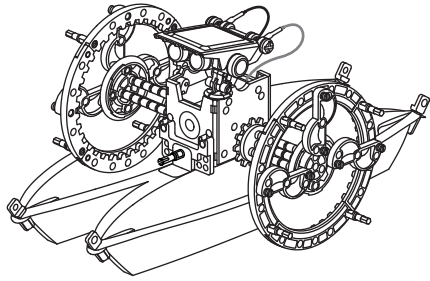


04 / 3

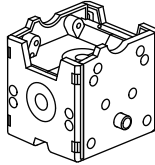


# 05 Boat-bot Assembly

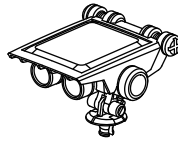
Level 1



Prepare the below parts first before you assemble the "Boat-bot".



Body



Head



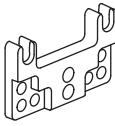
Wheel x2



B1 x3



B2 x3



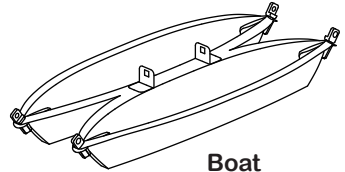
B4 x2



C6 x2



C1 x8



Boat



E6 x4



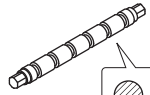
E14 x12



E4 x8



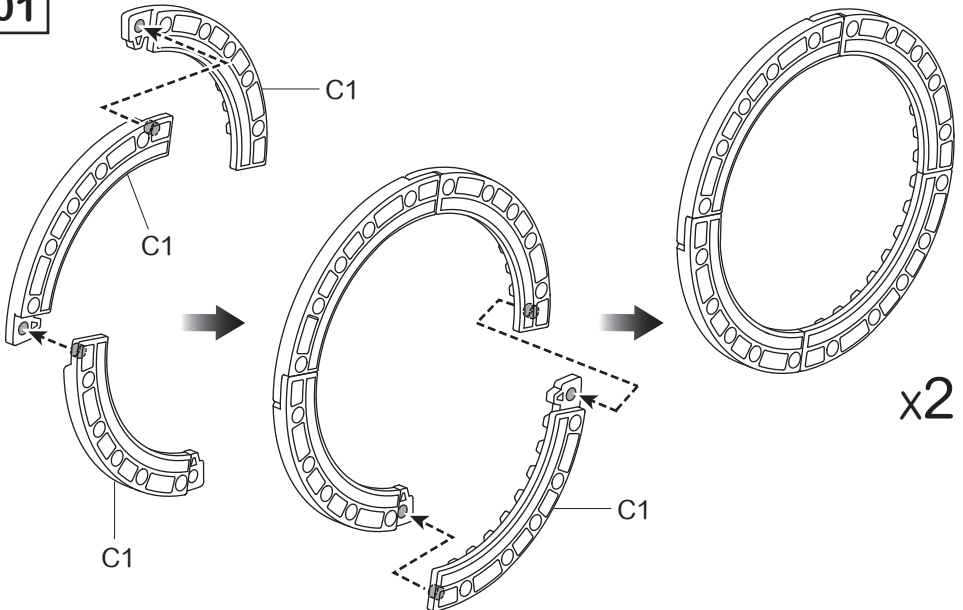
E9 x2



E8 x6

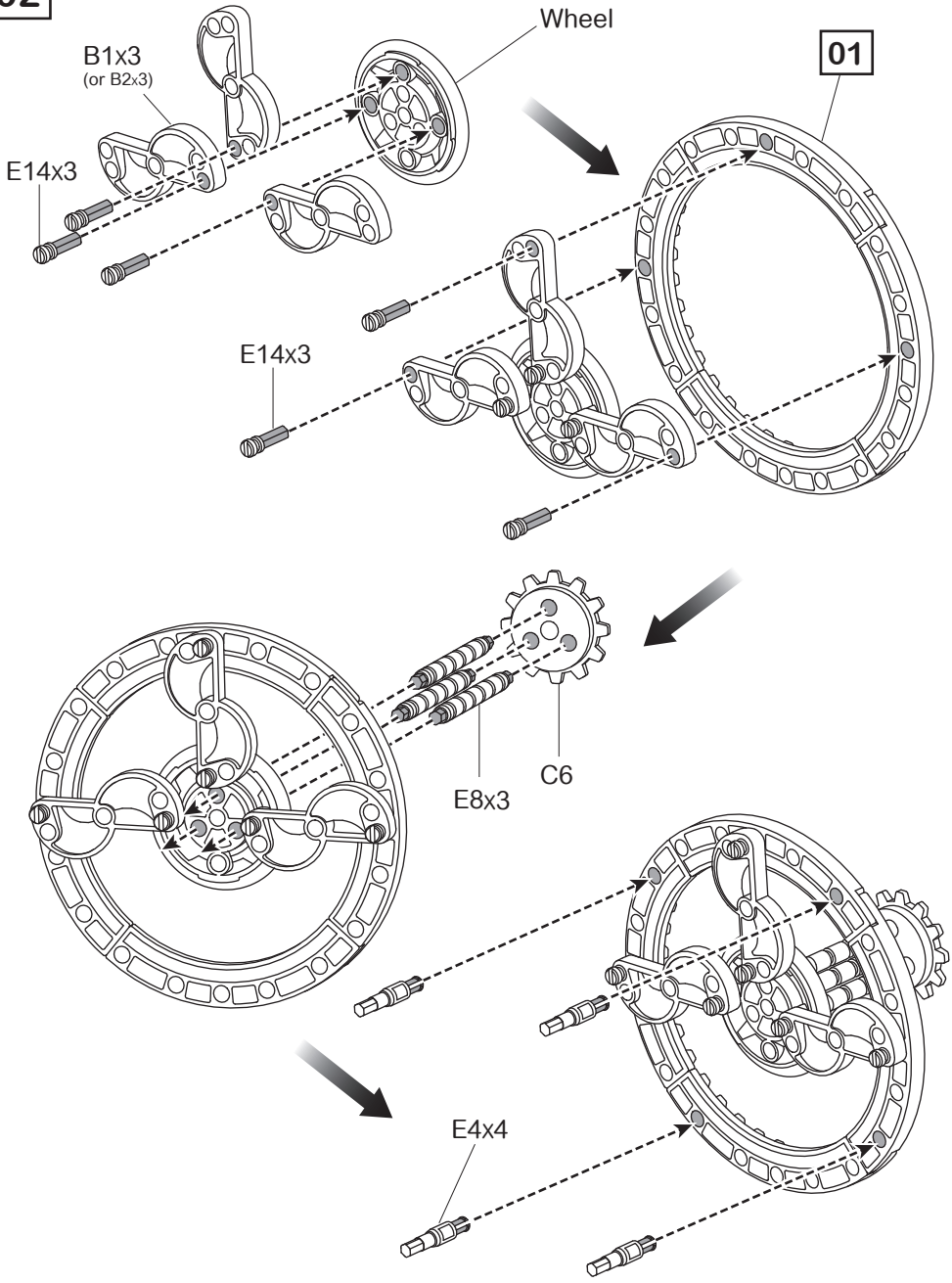


01

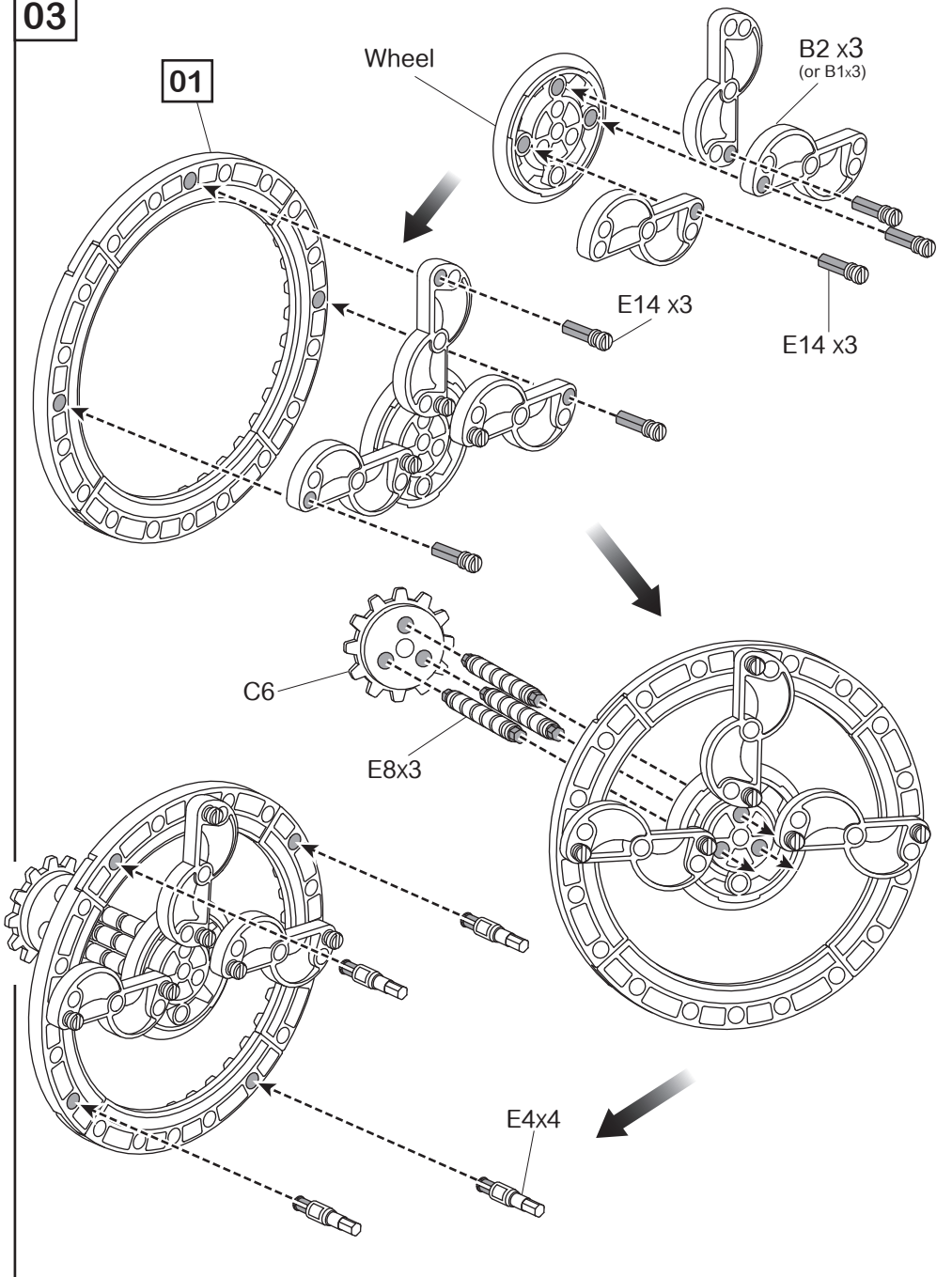




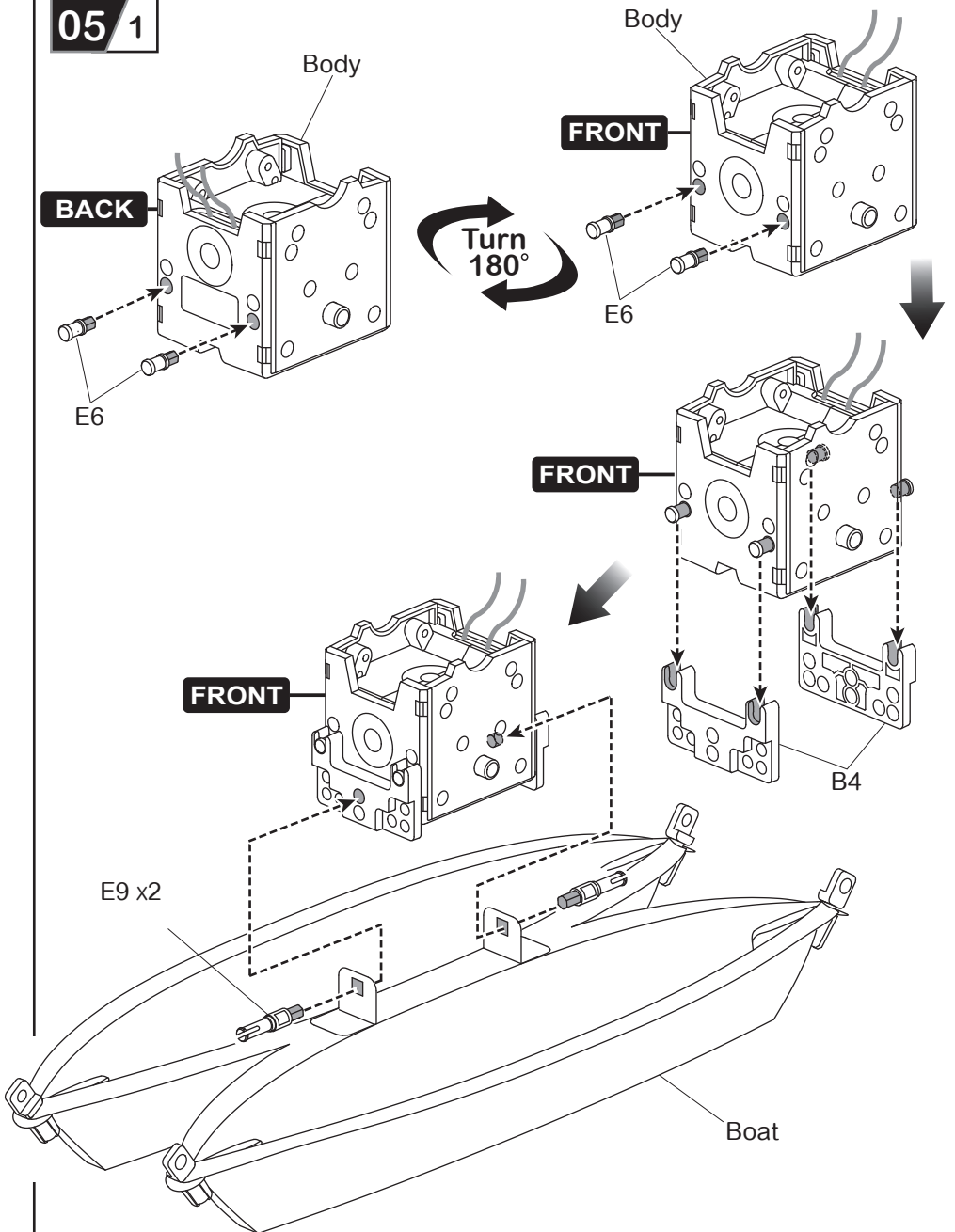
02



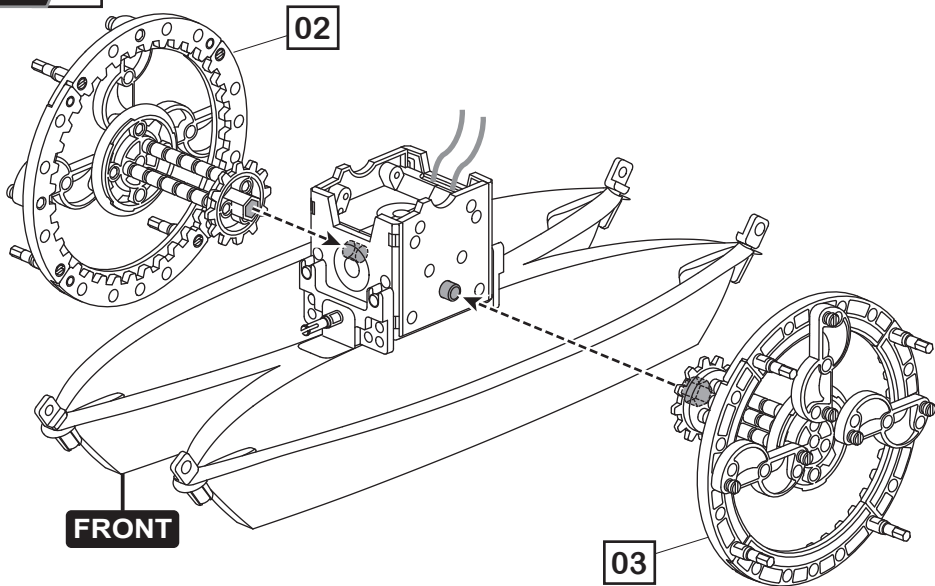




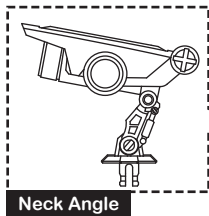
05 / 1



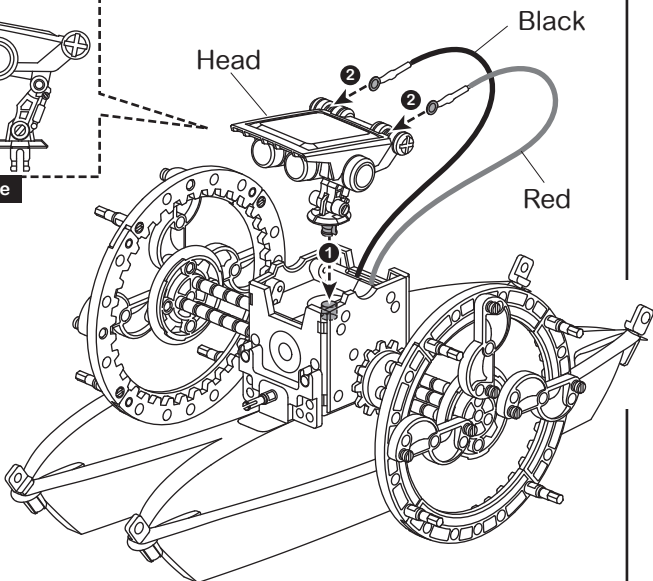
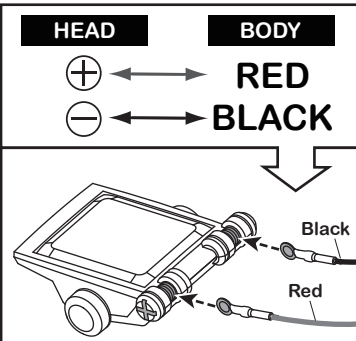
05 / 2



05 / 3

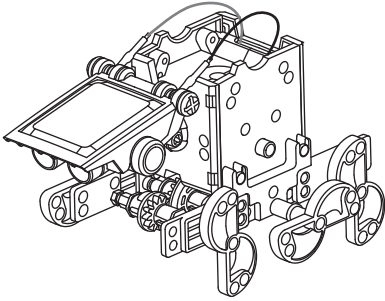


Neck Angle

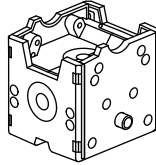


# 06 Beetle-bot Assembly

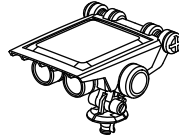
Level 1



Prepare the below parts first before you assemble the "Beetle-bot".



Body



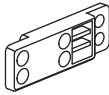
Head



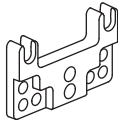
B1 x3



B2 x3



B3 x4



B4 x2



B8 x3



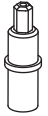
C2 x3



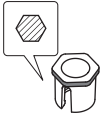
E6 x8



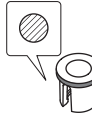
E11 x4



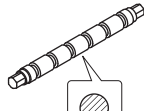
E12 x2



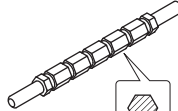
E7 x6



E1 x4

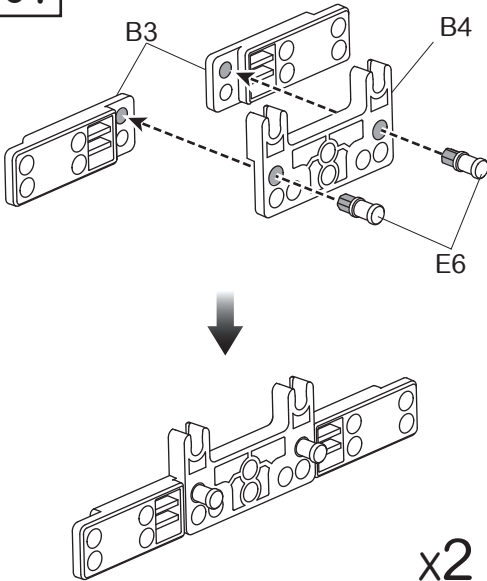


E8 x2

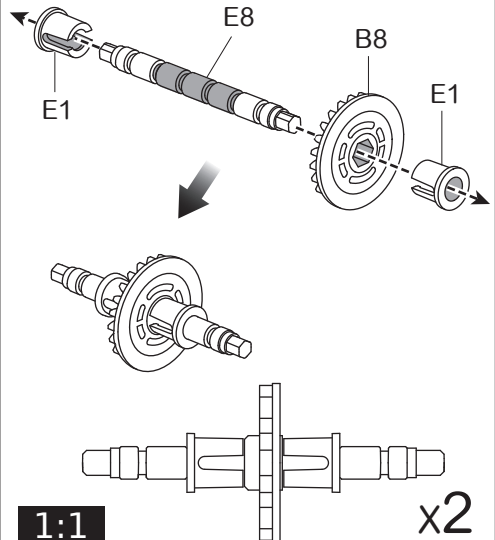


E3 x3

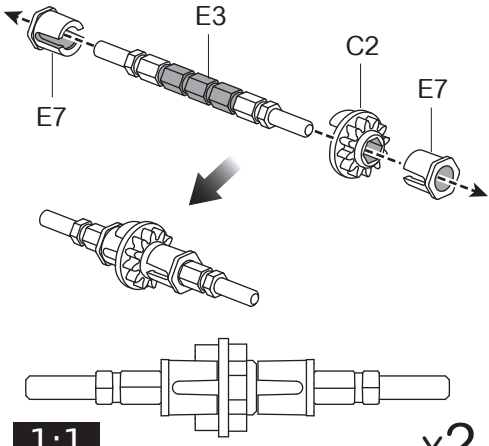
01



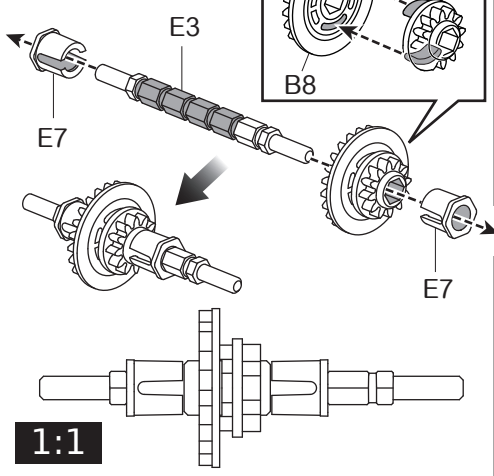
02



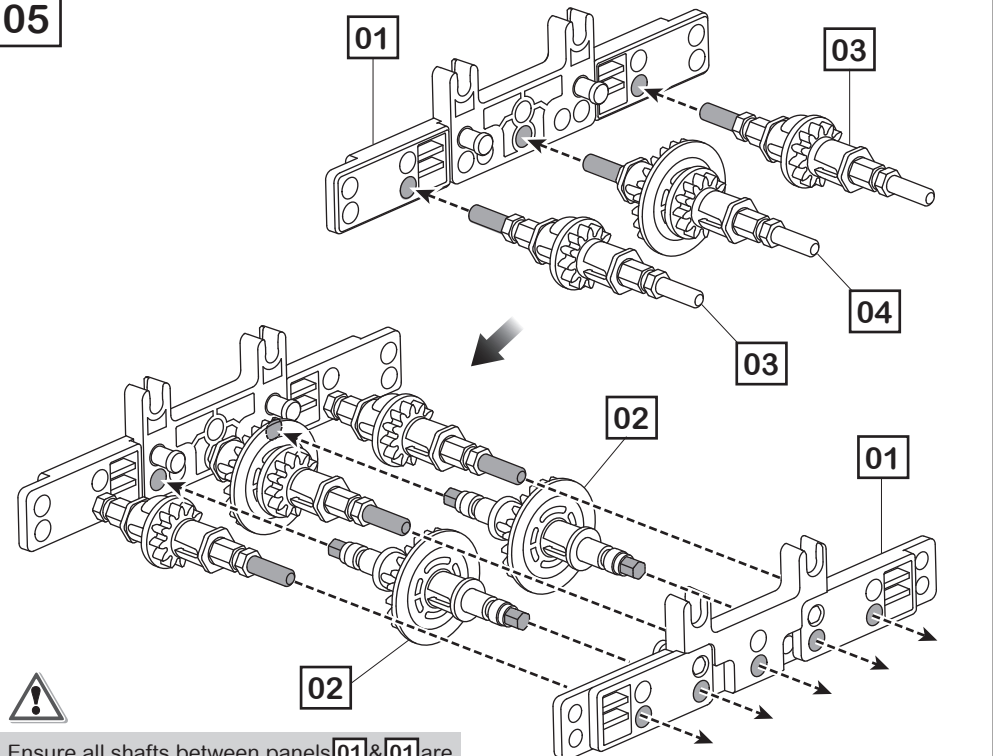
03



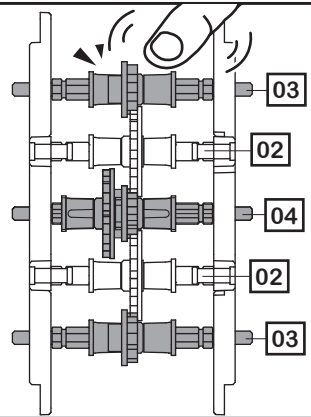
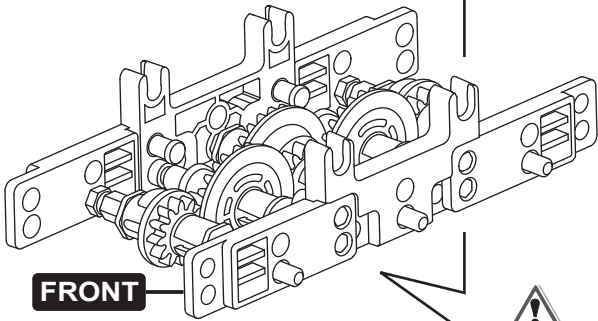
04



05

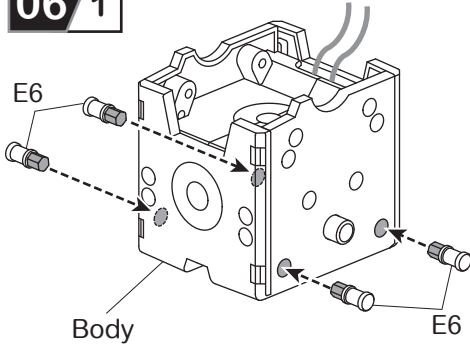


Ensure all shafts between panels **01** & **01** are properly installed and set in the right position.

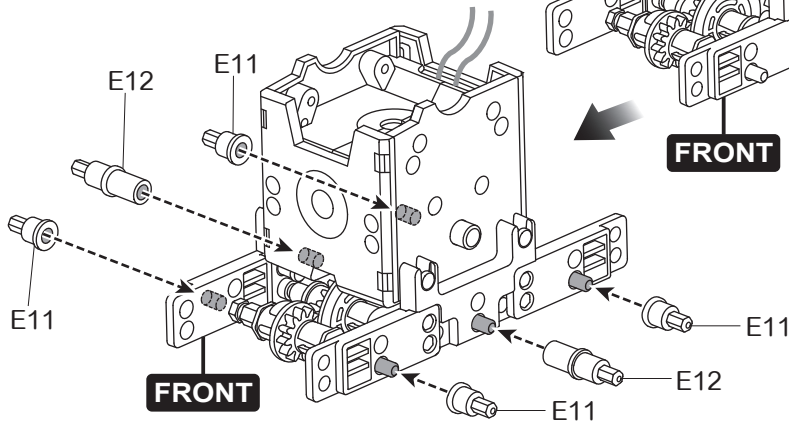
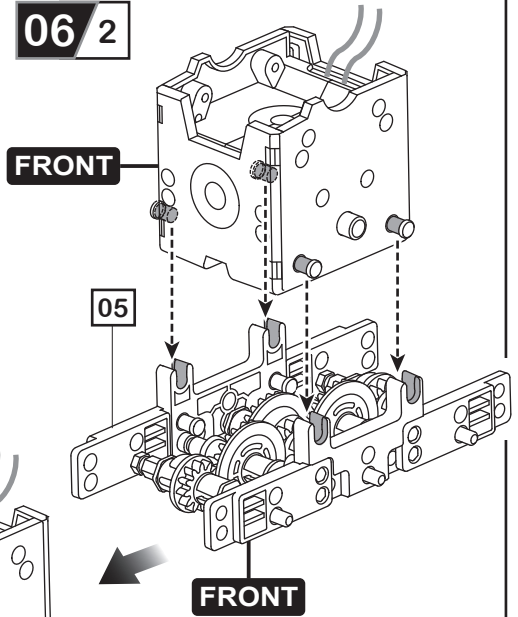


Check the gear box engagement by rotating it with a finger, and make sure it is running smoothly.

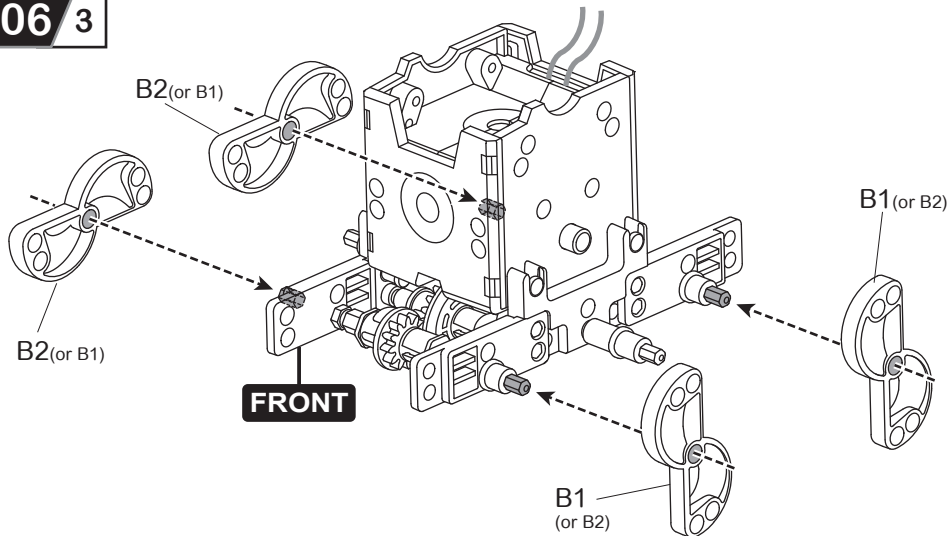
**06 / 1**



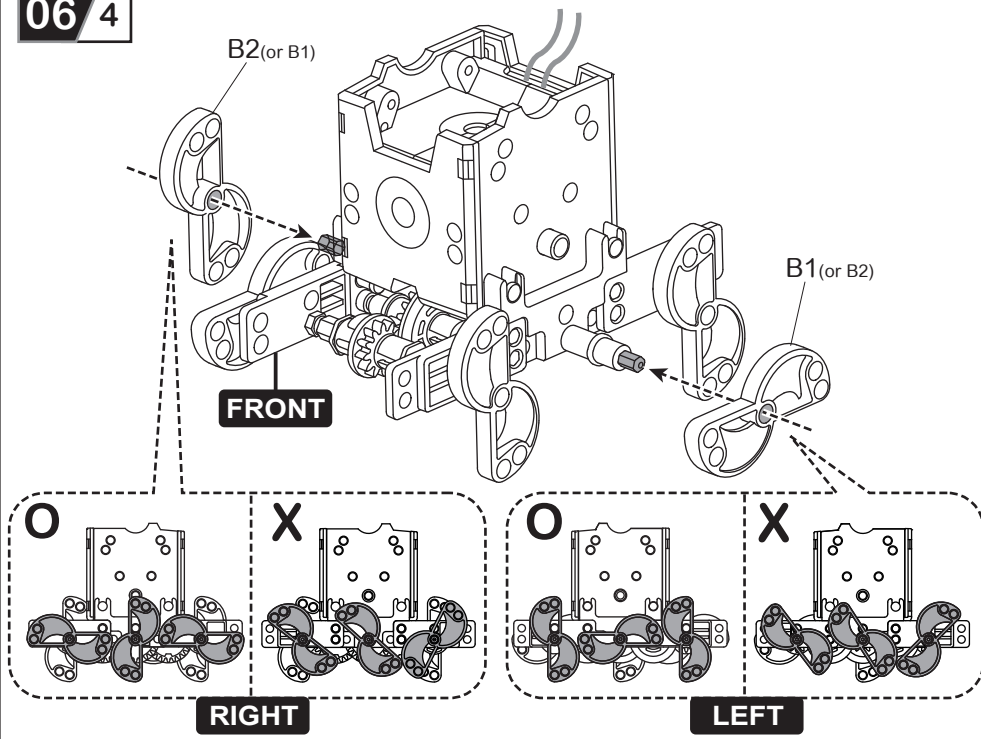
**06 / 2**

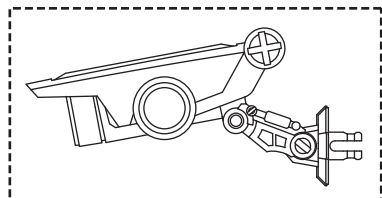
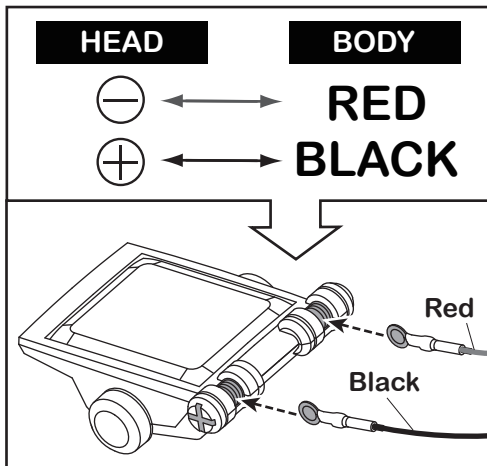


06 / 3

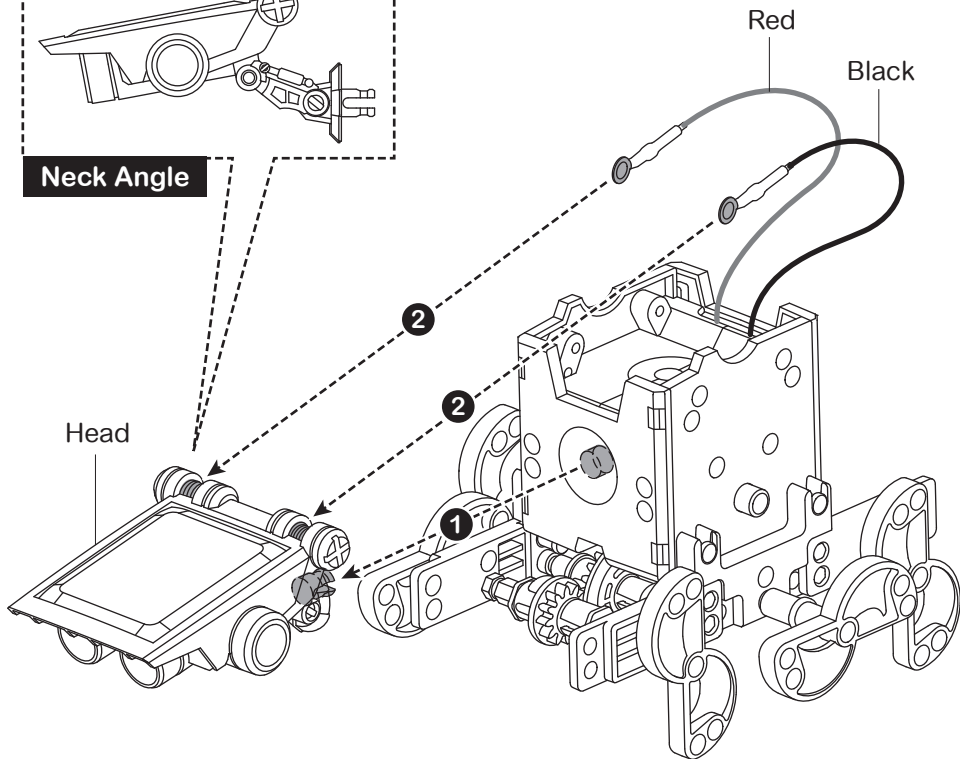


06 / 4





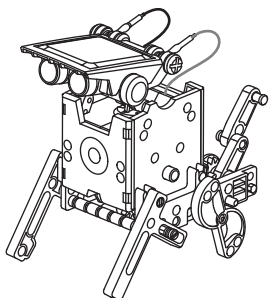
Neck Angle



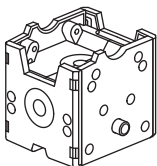


# 07 Dog-bot Assembly

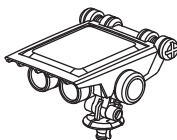
**Level 1**



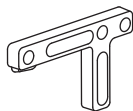
Prepare the below parts first before you assemble the "Dog-bot".



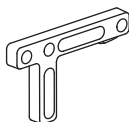
**Body**



**Head**



**A2 x1**



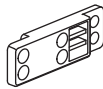
**A8 x1**



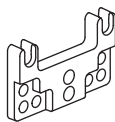
**B1 x1**



**B2 x1**



**B3 x2**



**B4 x2**



**B5 x2**



**B7 x1**



**B8 x2**



**C2 x3**



**E6 x5**



**E14 x3**



**E10 x2**



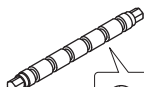
**E11 x2**



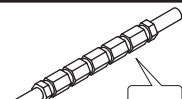
**E7 x4**



**E1 x4**

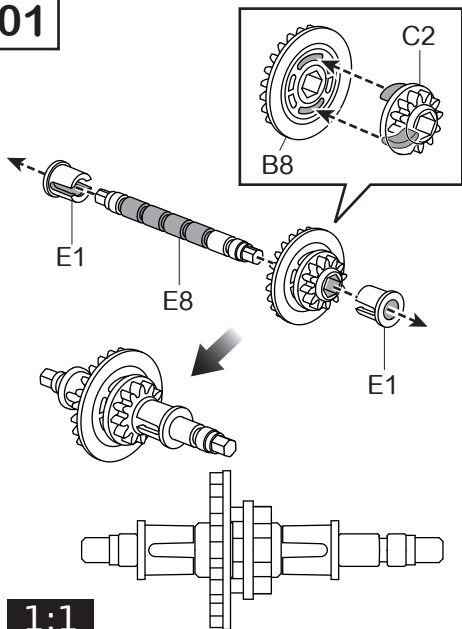


**E8 x3**

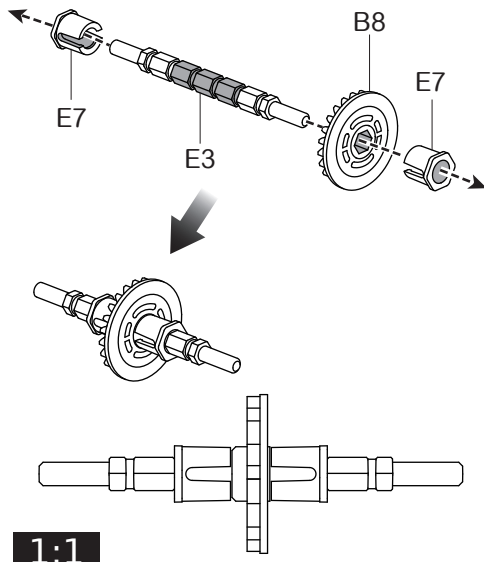


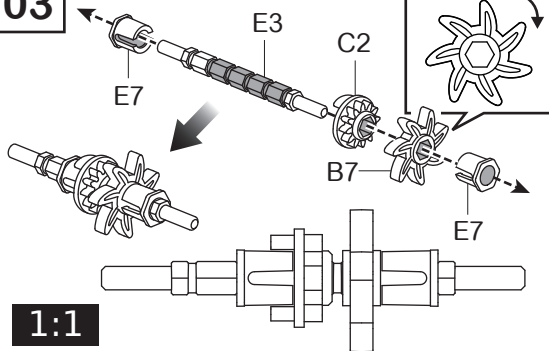
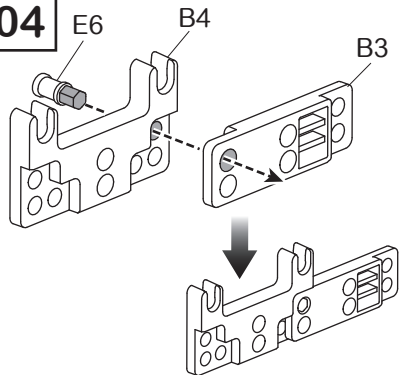
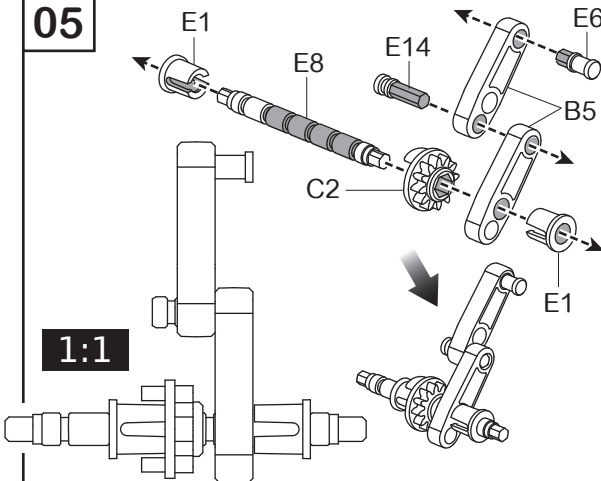
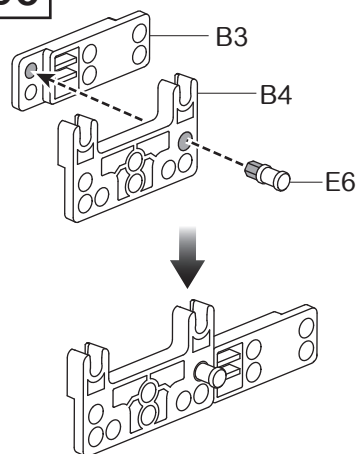
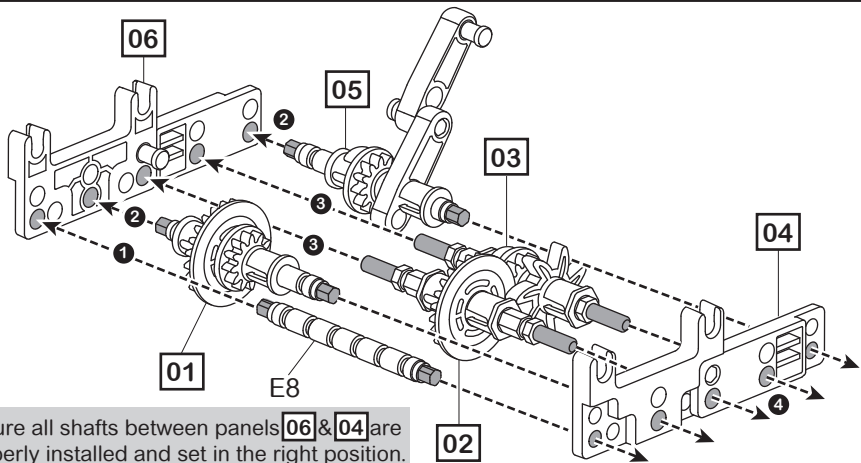
**E3 x2**

**01**



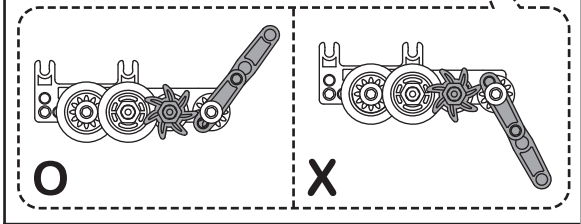
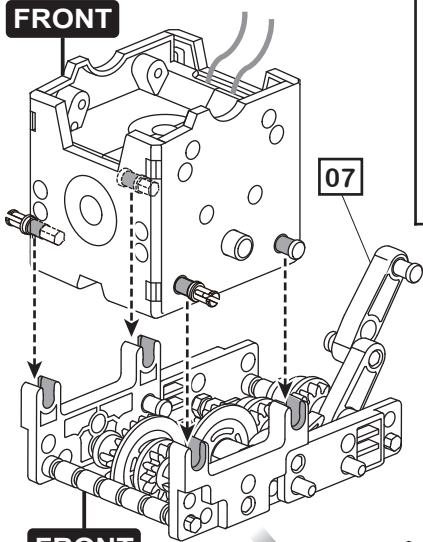
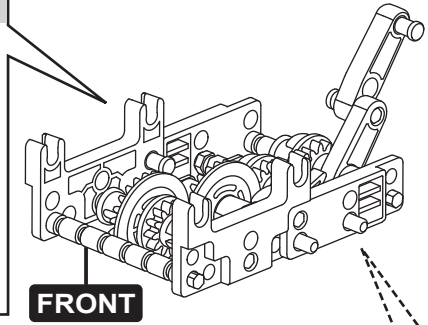
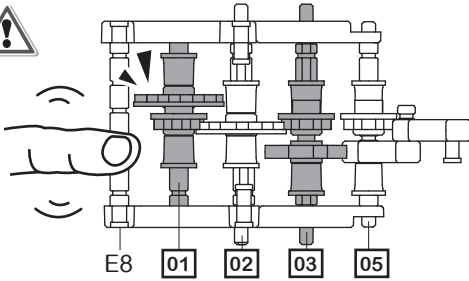
**02**



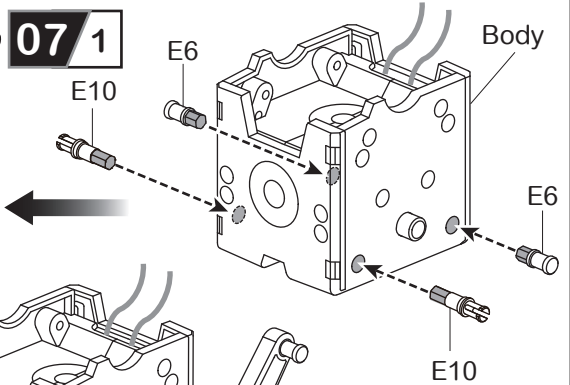
**03****1:1****04****05****1:1****06****07**

Ensure all shafts between panels **06** & **04** are properly installed and set in the right position.

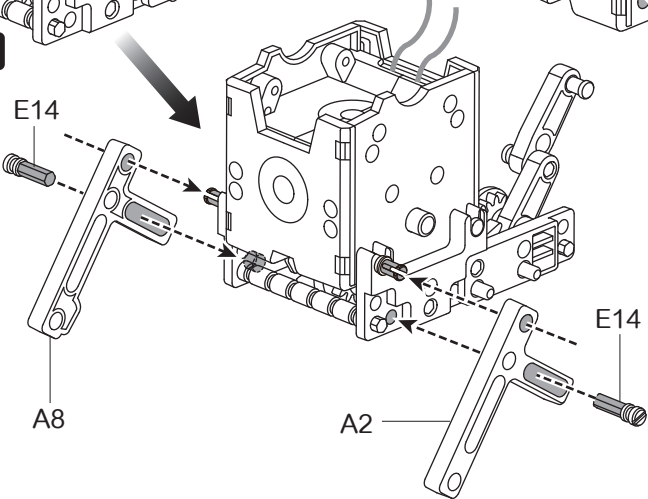
Check the gear box engagement by rotating it with a finger, and make sure it is running smoothly.



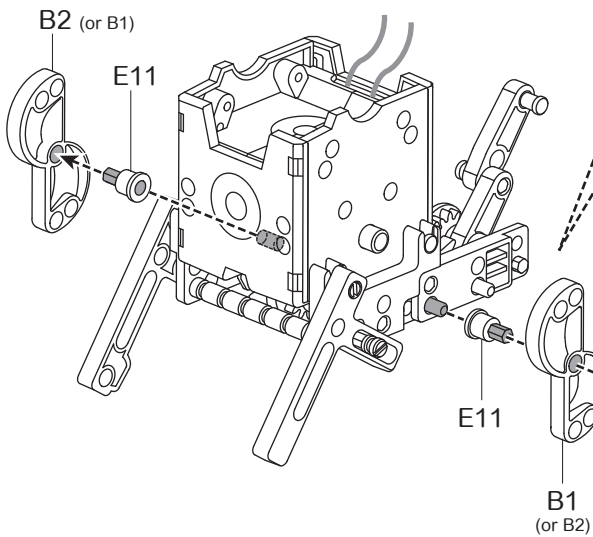
**07 / 1**



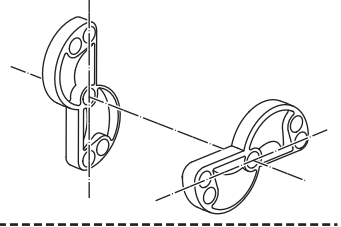
**FRONT**



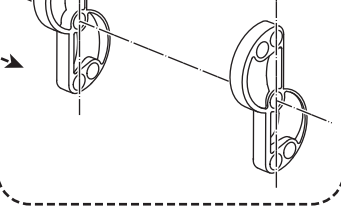
**07 / 2**



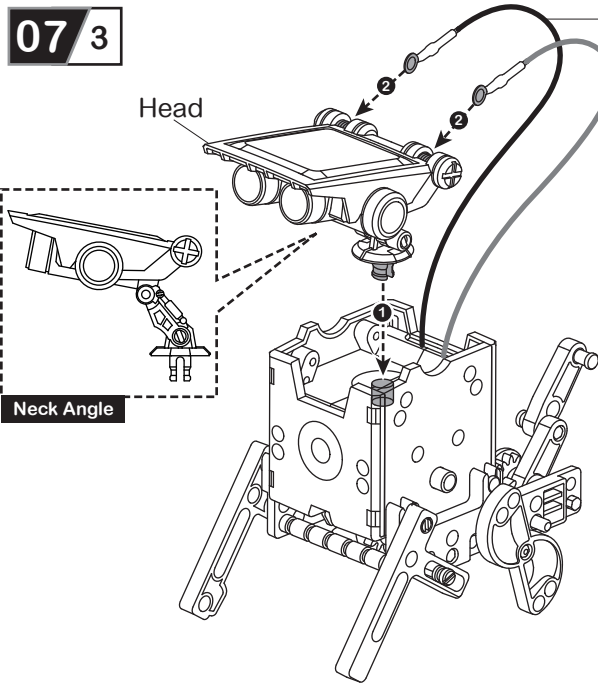
**movement 1 :**  
shaking & wagging tail!



**movement 2 :**  
jumping & wagging tail!



**07 / 3**



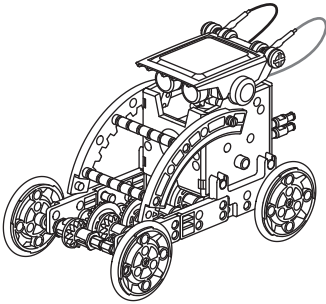
HEAD	BODY
⊕	RED
⊖	BLACK

Black

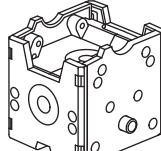
Red

# 08 Auto-bot Assembly

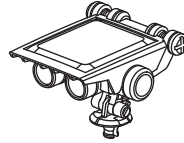
# Level 2



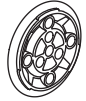
Prepare the below parts first before you assemble the "Auto-bot".



Body



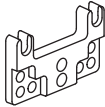
Head



Wheel x4



B3 x4



B4 x2



B8 x4



C1 x2



C2 x4



E6 x8



E14 x2



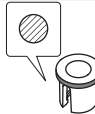
E4 x4



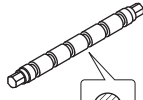
E11 x4



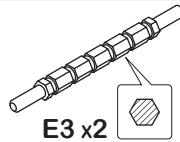
E7 x2



E1 x10

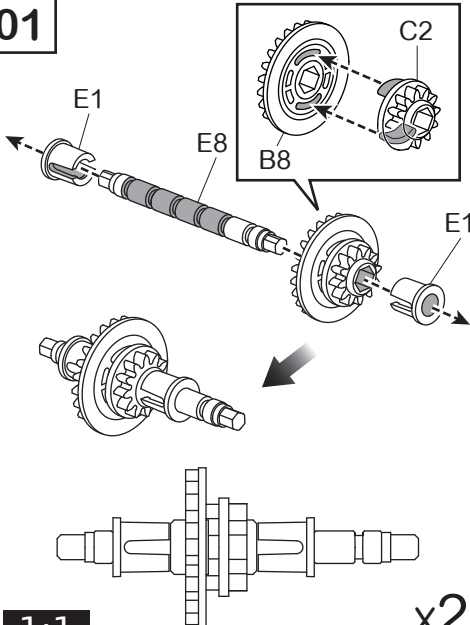


E8 x7

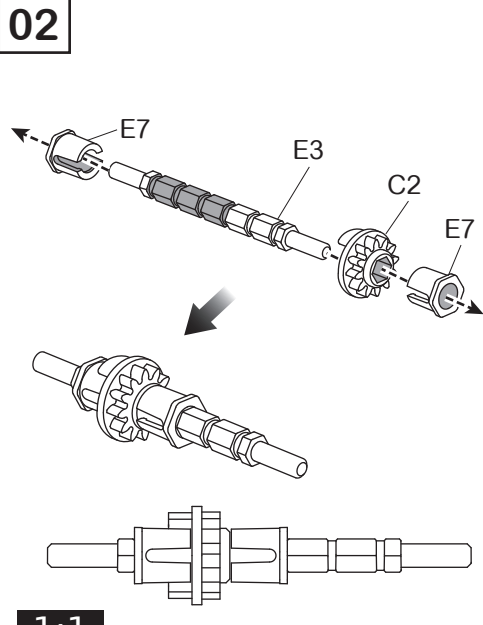


E3 x2

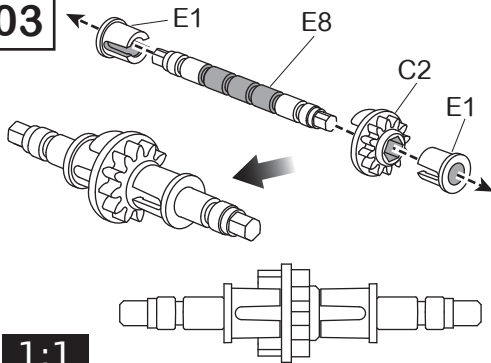
01



02

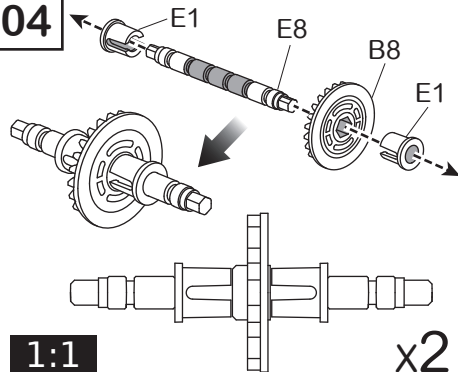


03



1:1

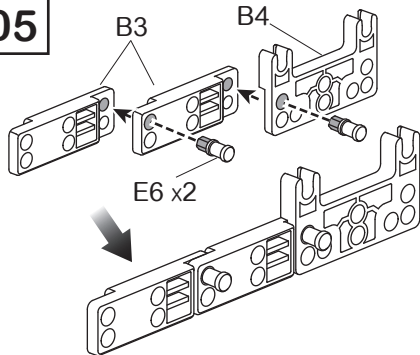
04



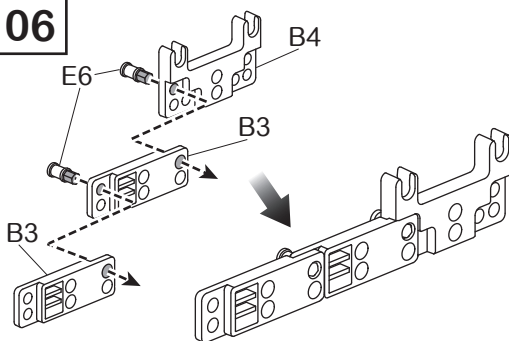
1:1

x2

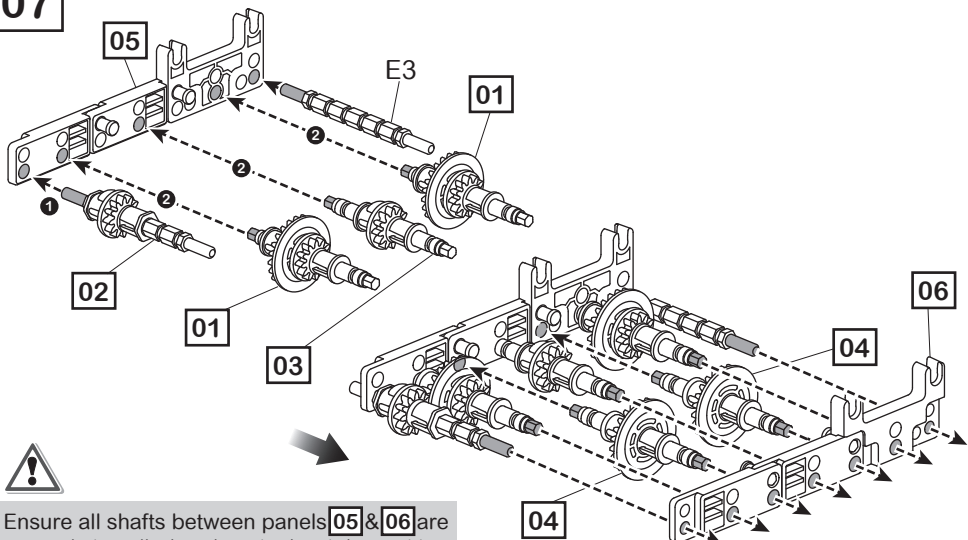
05



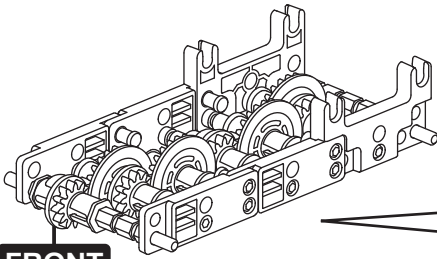
06



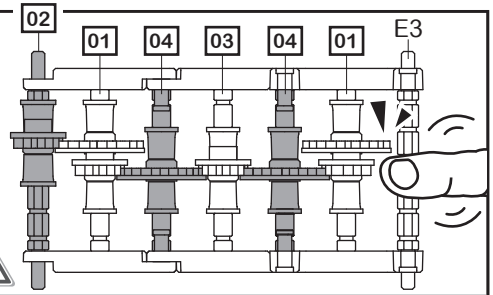
07



Ensure all shafts between panels **05** & **06** are properly installed and set in the right position.

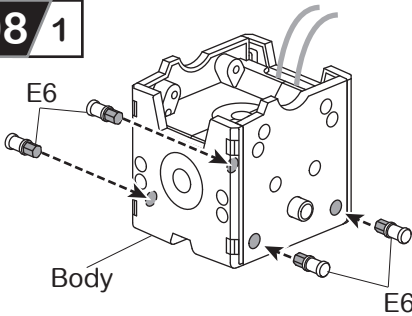


**FRONT**



Check the gear box engagement by rotating it with a finger, and make sure it is running smoothly.

**08 / 1**

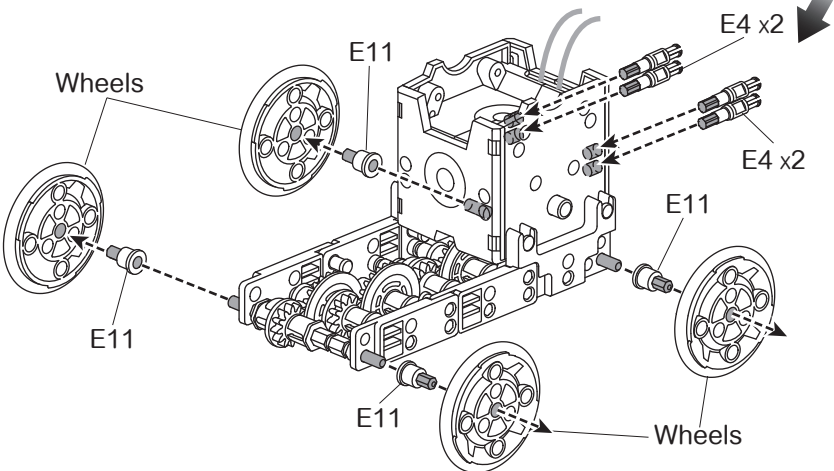
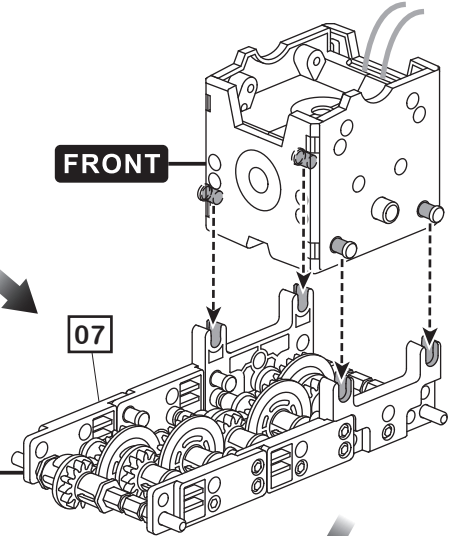


Body

**FRONT**

**FRONT**

**07**



Wheels

E11

E4 x2

E4 x2

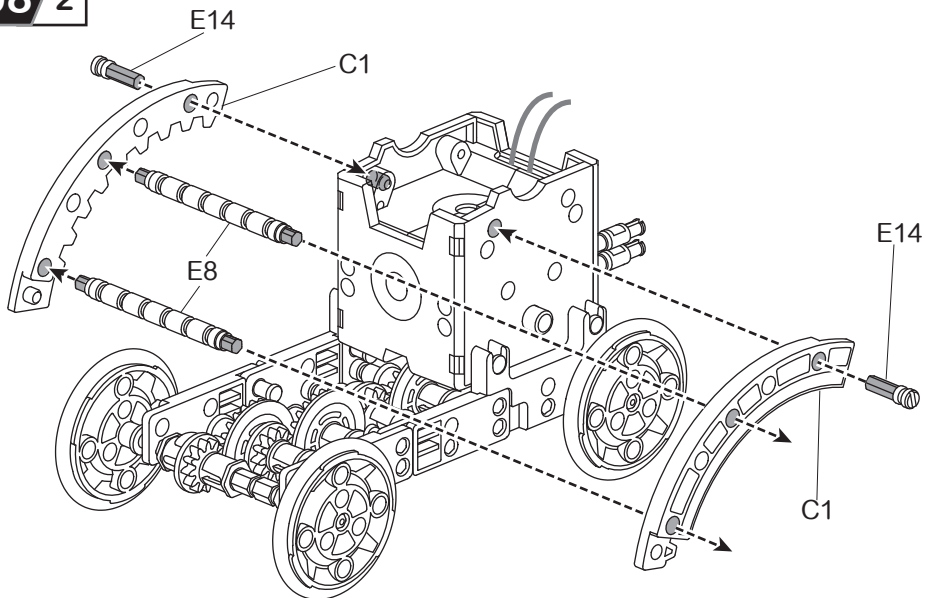
E11

E11

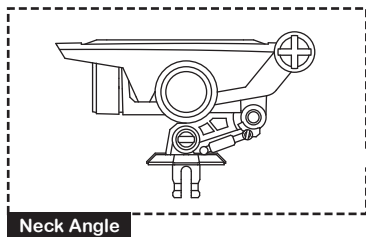
E11

Wheels

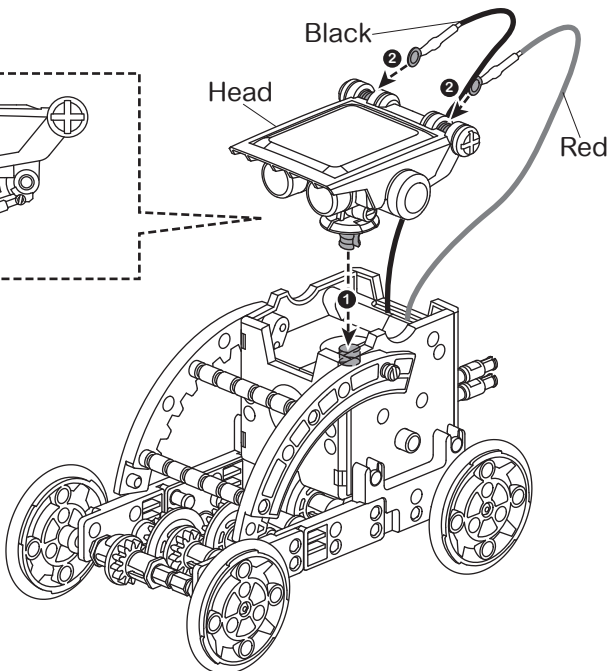
08 / 2



08 / 3



Neck Angle

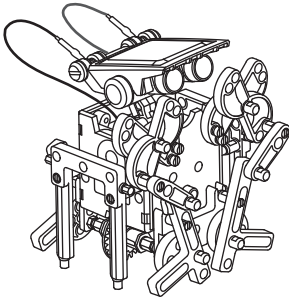


HEAD	BODY
+	RED
-	BLACK

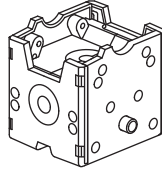


# 09 Crab-bot Assembly

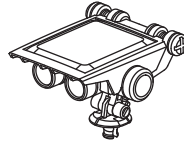
Level 2



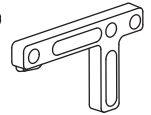
Prepare the below parts first before you assemble the "Crab-bot".



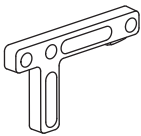
Body



Head



A2 x2



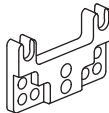
A8 x2



B1 x2



B2 x2



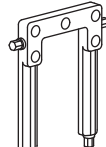
B4 x2



B5 x2



B8 x3



B9 x2



C2 x1



C7 x4



E14 x4



E5 x8



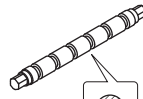
E4 x10



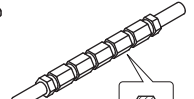
E7 x4



E1 x2

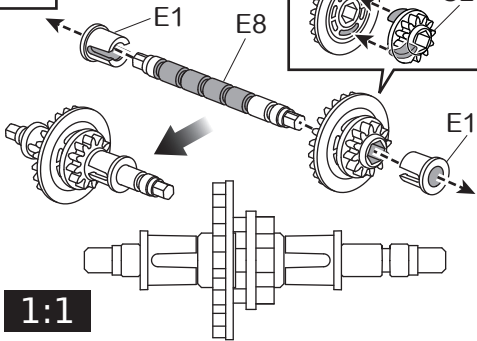


E8 x1



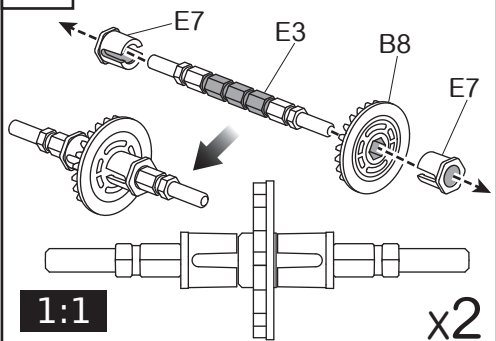
E3 x2

01



1:1

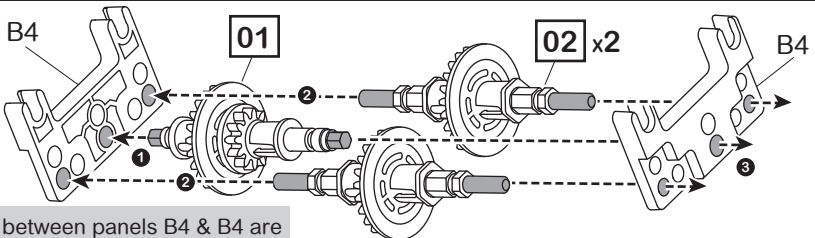
02



1:1

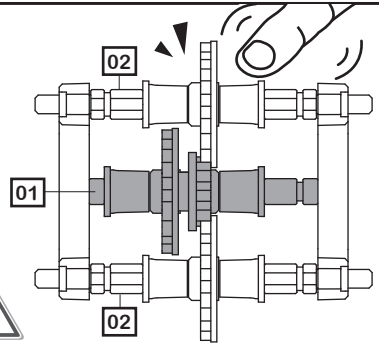
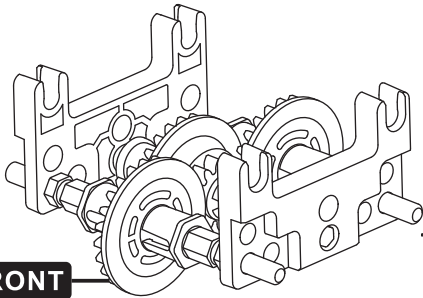
x2

03



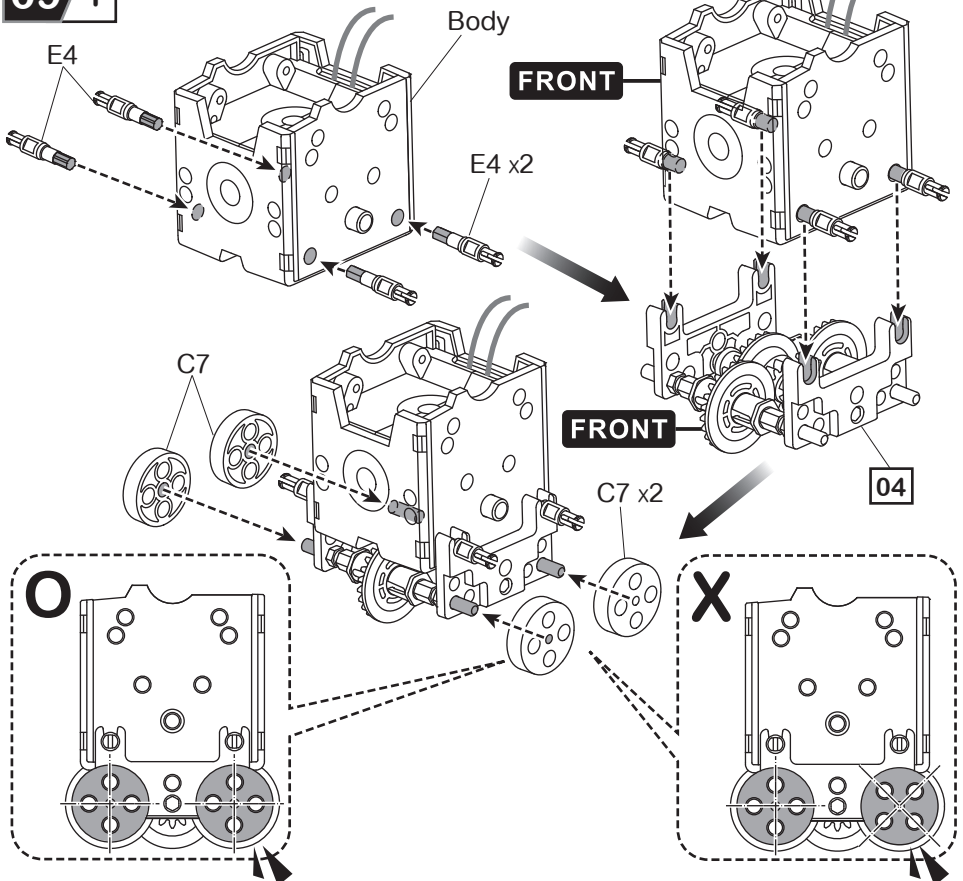
Ensure all shafts between panels B4 & B4 are properly installed and set in the right position.

04

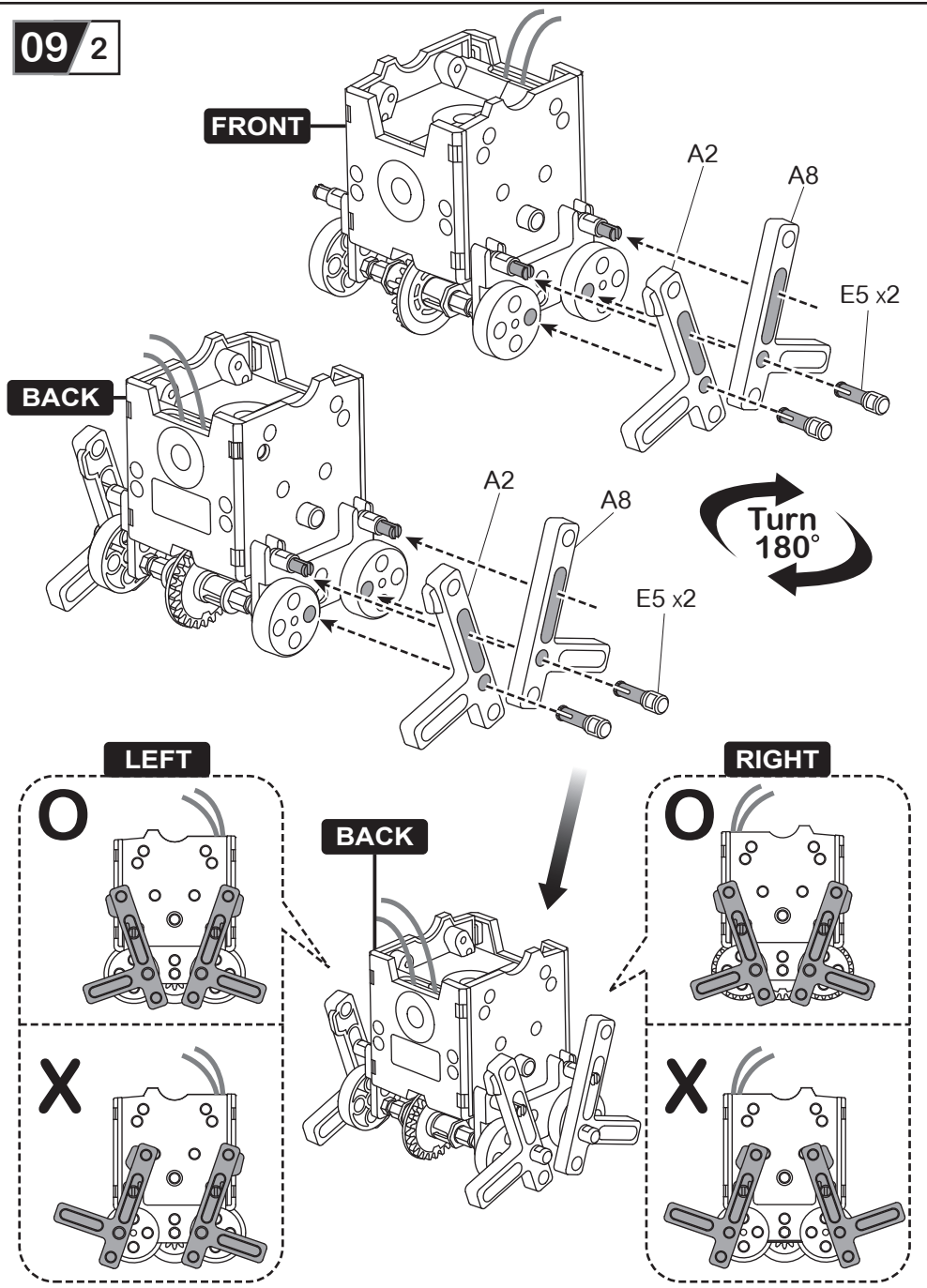


Check the gear box engagement by rotating it with a finger, and make sure it is running smoothly.

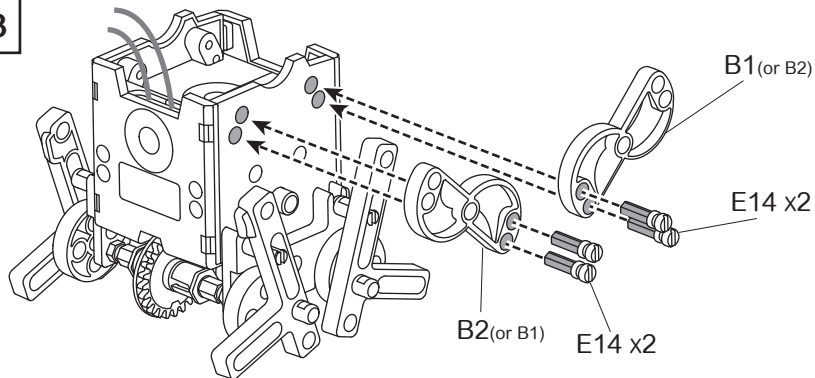
09 1



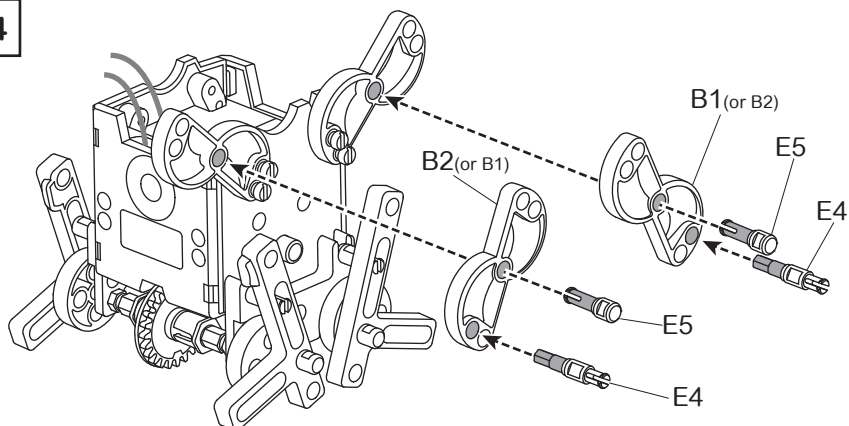
09 / 2



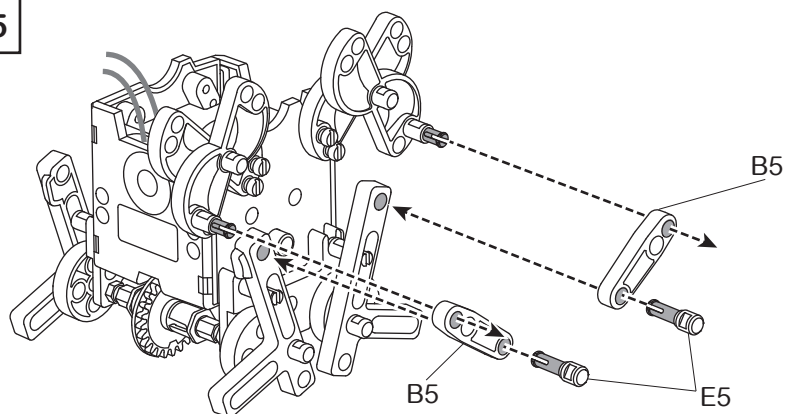
09 / 3



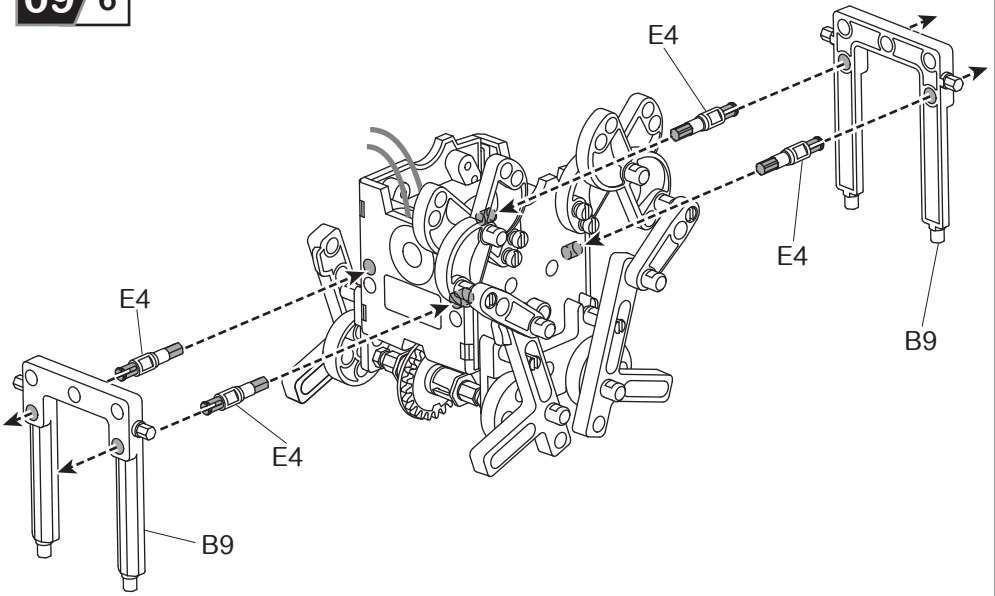
09 / 4



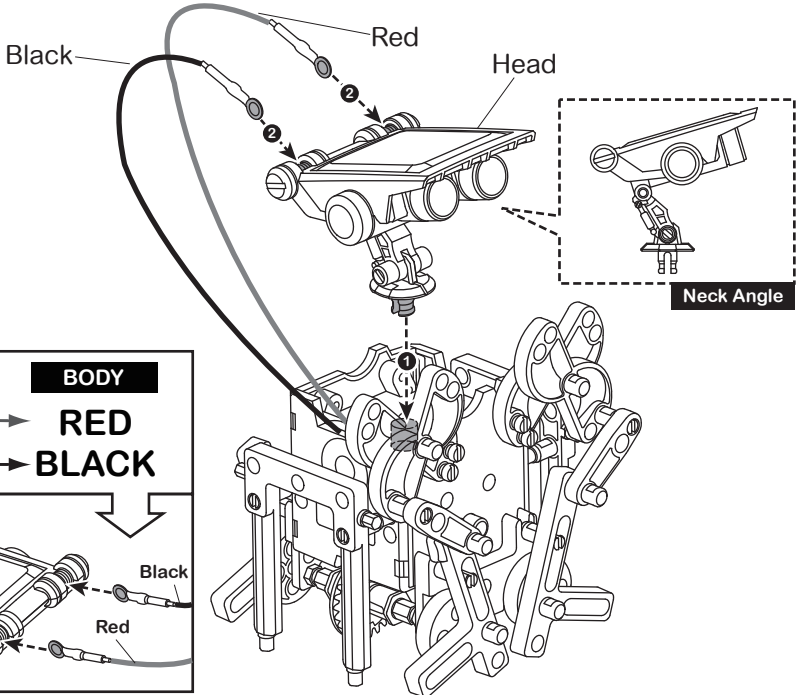
09 / 5



09 / 6



09 / 7

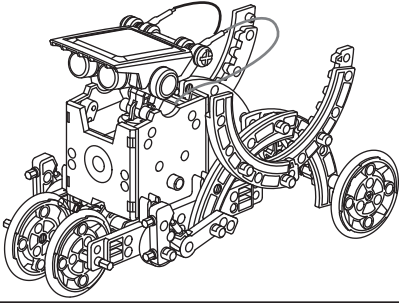


HEAD	BODY
+	RED
-	BLACK

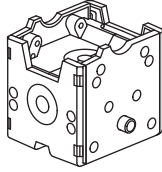
Diagram illustrating the connection of the Head component to the Body component. The Head component is connected to the Body component using Black and Red wires. The Head component is shown in an exploded view, with dashed lines indicating its position relative to the Body component.

# 10 Slither-bot Assembly

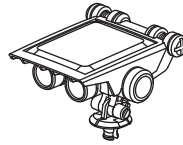
Level 2



Prepare the below parts first before you assemble the "Slither-bot".



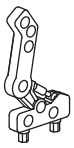
Body



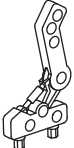
Head



Wheel x4



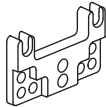
A1 x1



A7 x1



B3 x4



B4 x2



B5 x1



B8 x2



B7 x1



C2 x1



C1 x8



C6 x1



C7 x2



E6 x6



E5 x12



E10 x4



E9 x1



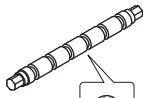
E12 x2



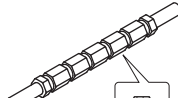
E7 x4



E1 x6

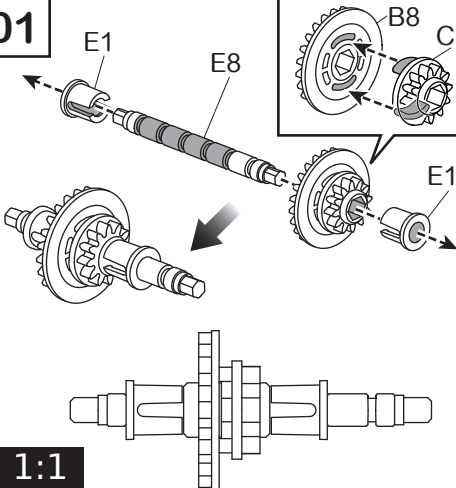


E8 x3



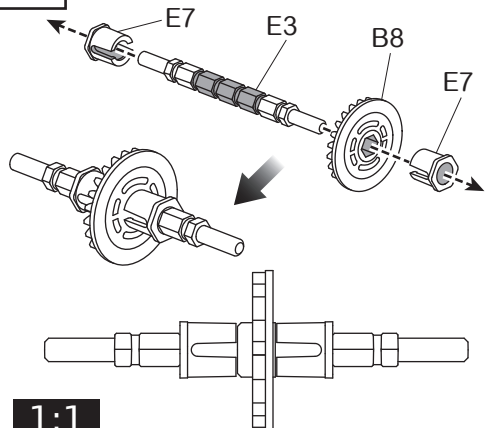
E3 x2

01



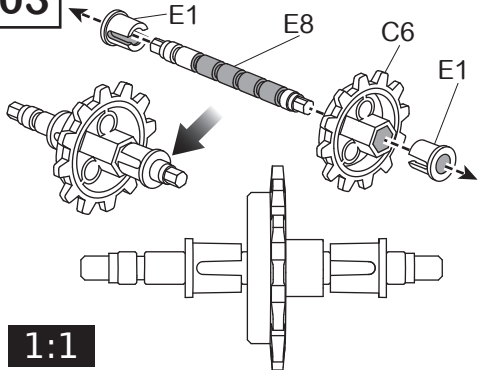
1:1

02



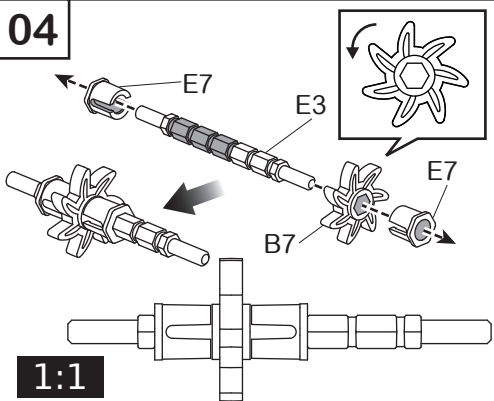
1:1

03



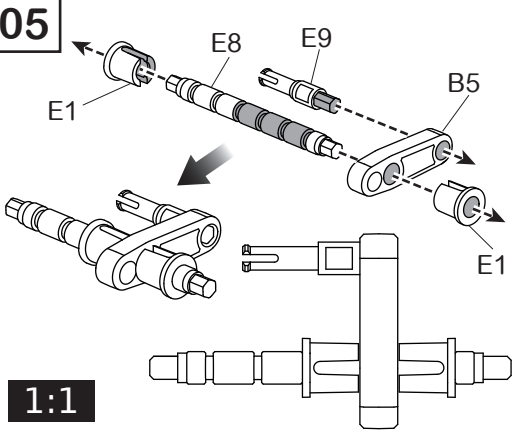
1:1

04



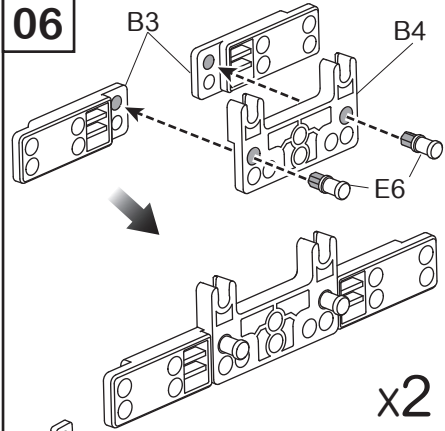
1:1

05



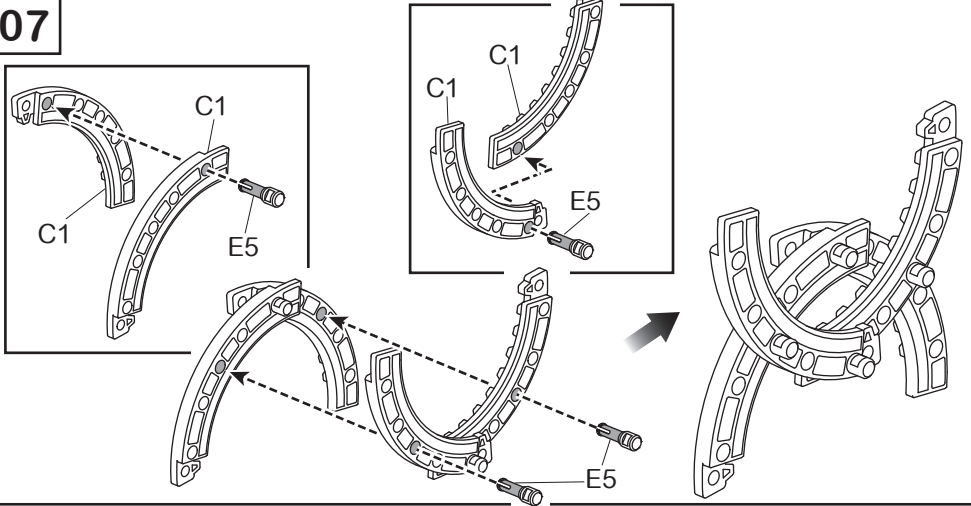
1:1

06



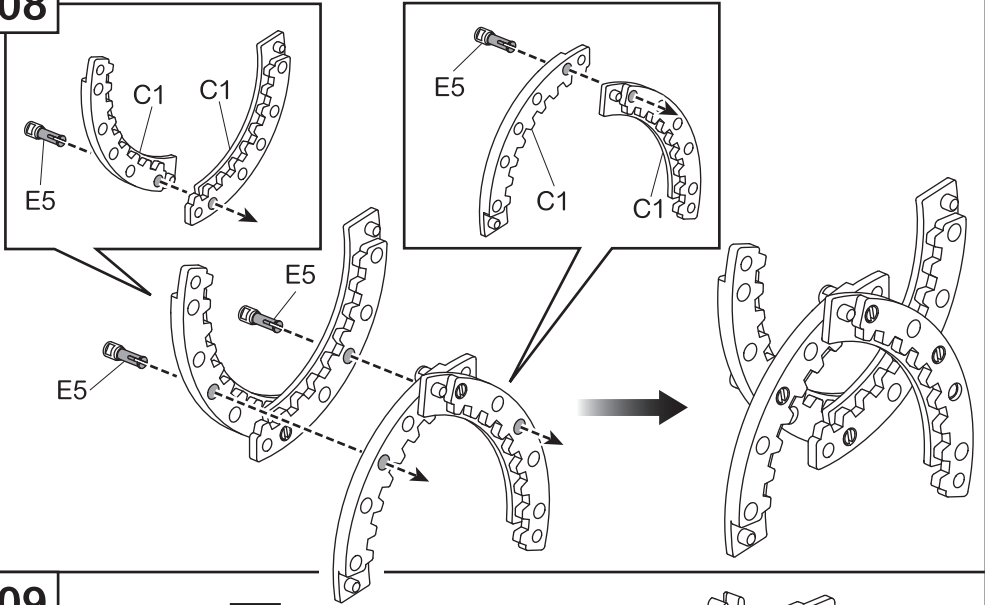
x2

07

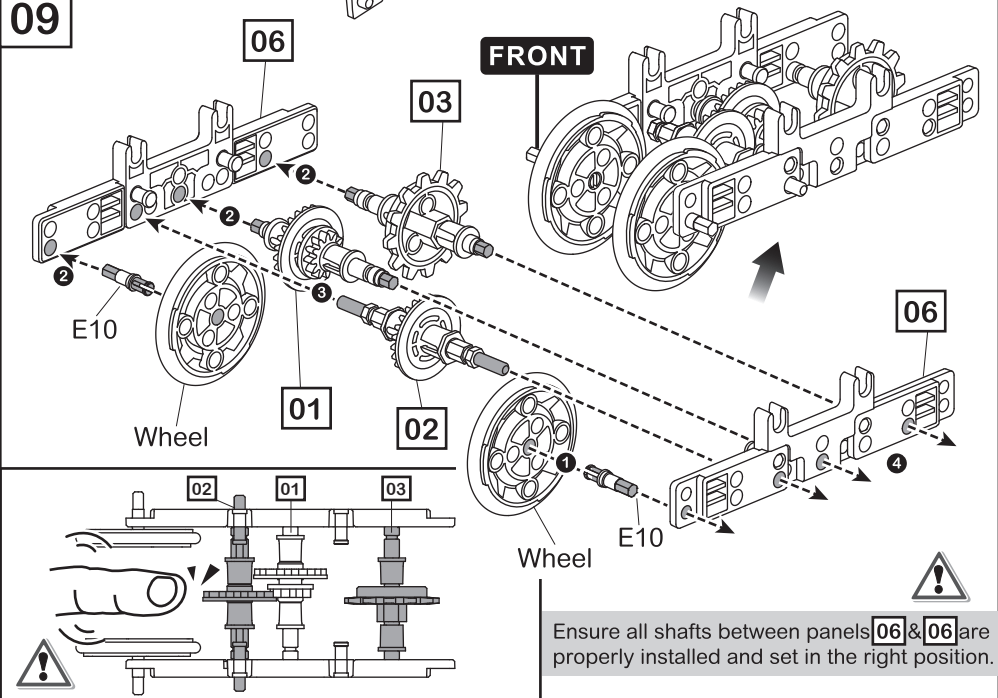




08



09

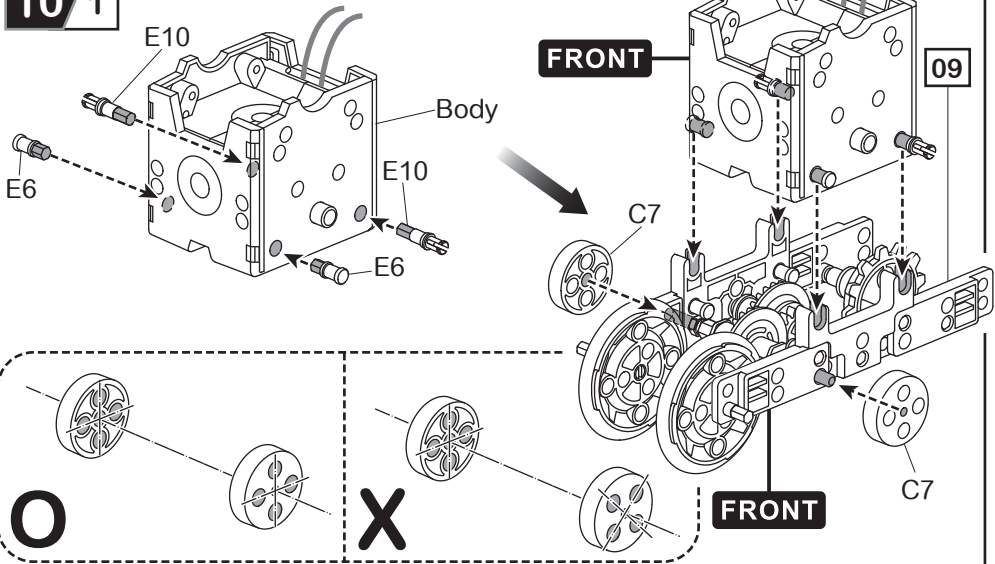


Ensure all shafts between panels **06** & **06** are properly installed and set in the right position.

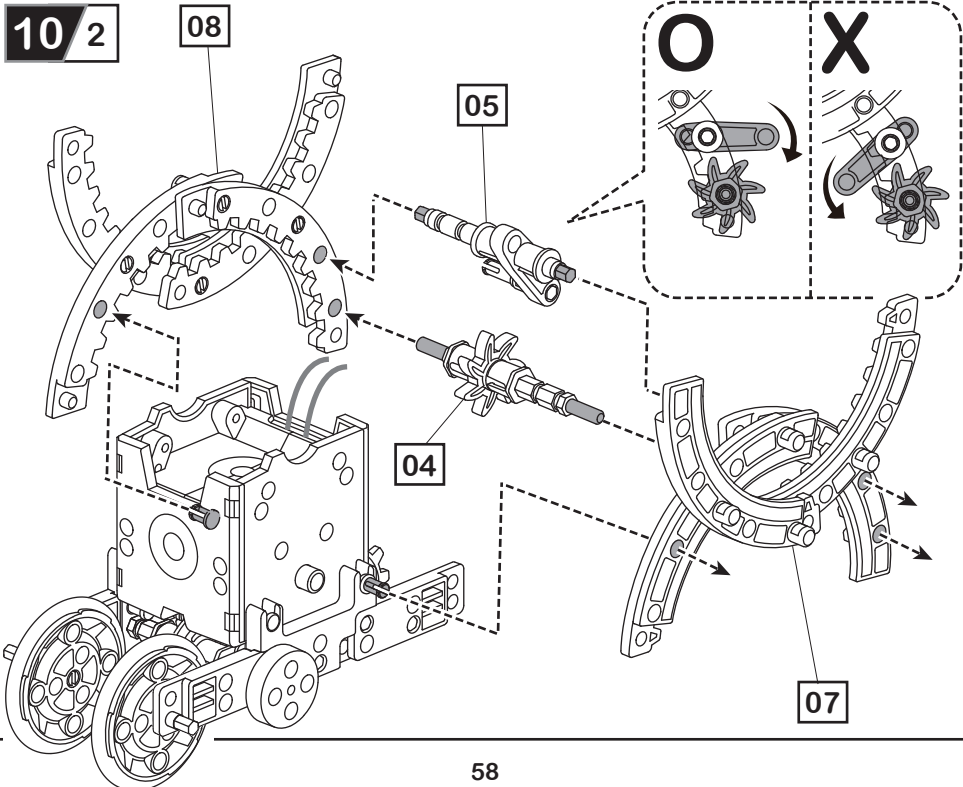
Check the gear box engagement by rotating it with a finger, and make sure it is running smoothly.



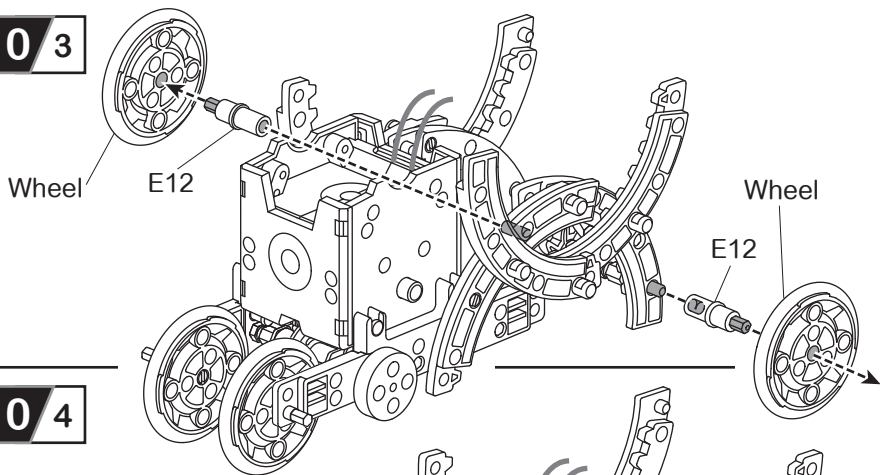
10 / 1



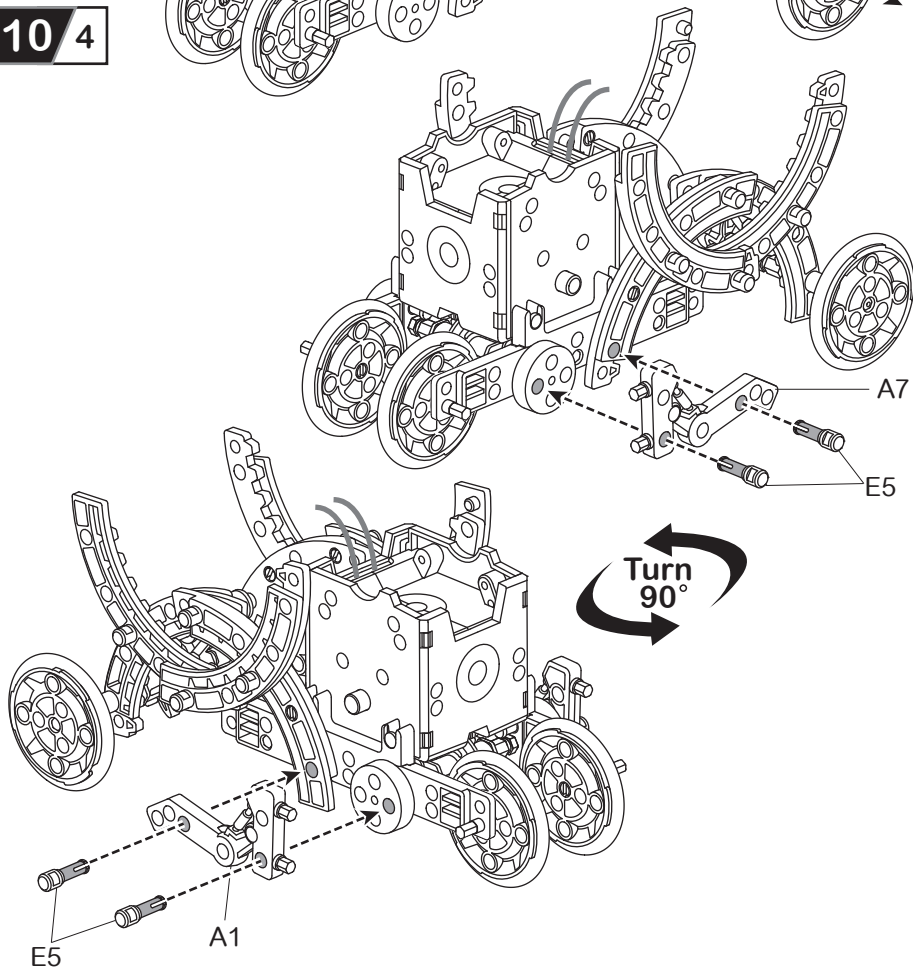
10 / 2



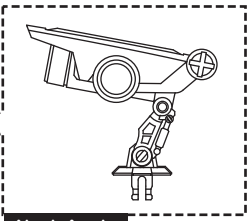
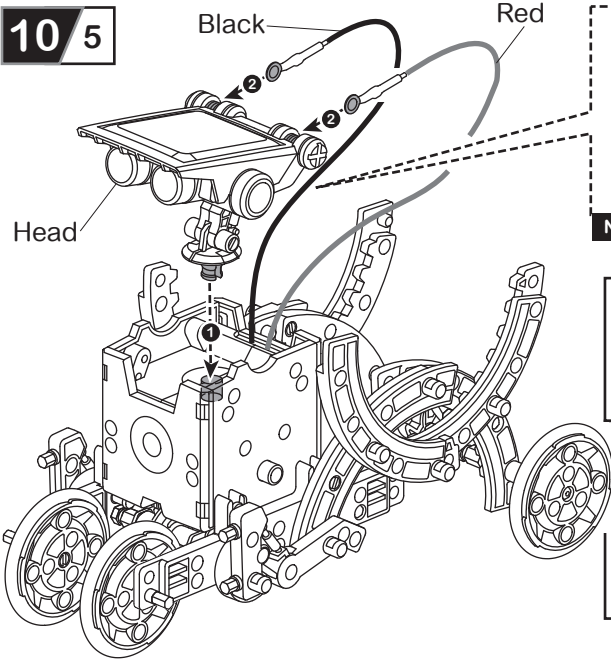
10/3



10/4



10 / 5



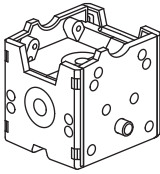
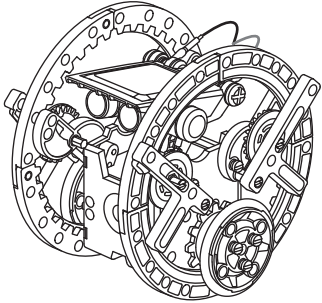
Neck Angle

HEAD	BODY
+	RED
-	BLACK

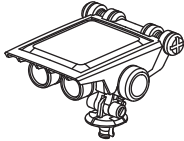
# 11 Roly poly-bot Assembly

# Level 2

Prepare the below parts first before you assemble the "Roly poly-bot".



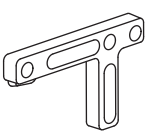
Body



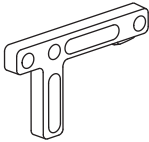
Head



Wheel x2



A2 x2



A8 x2



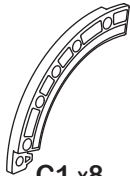
B1 x2



B2 x2



B8 x4



C1 x8



C6 x2

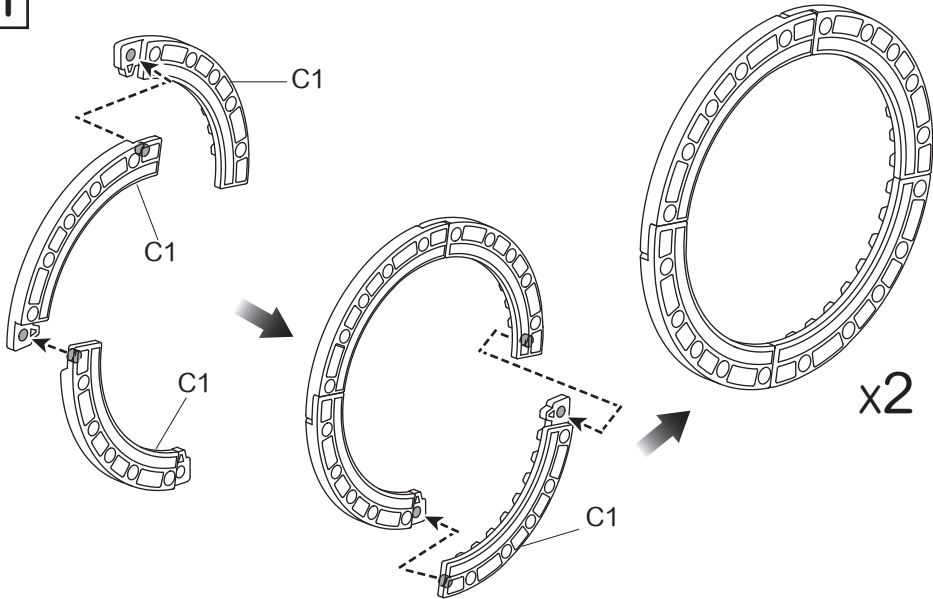


E14 x10

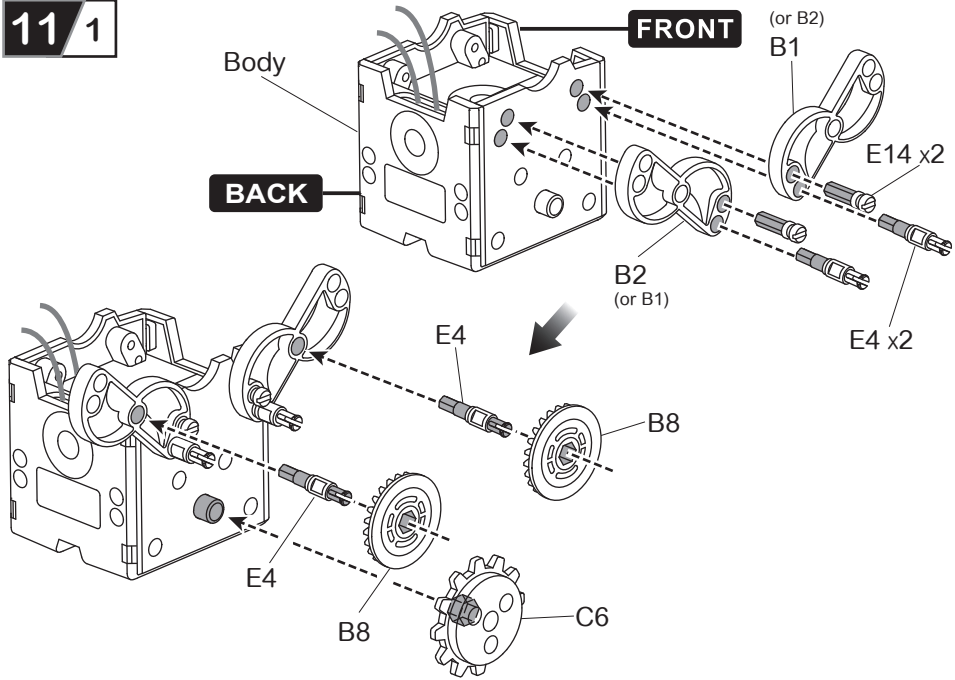


E4 x8

01

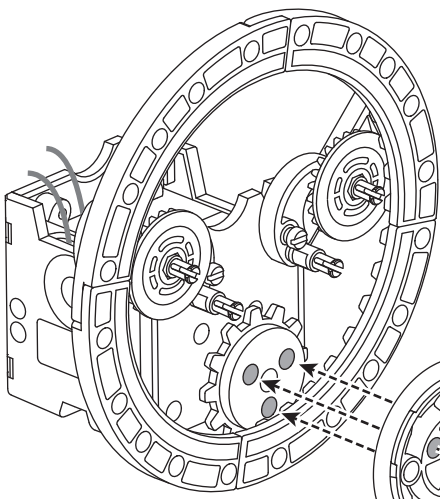
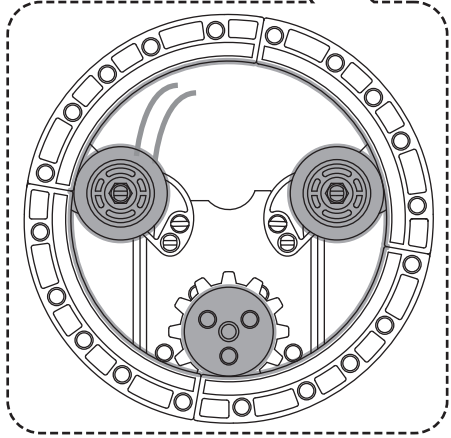
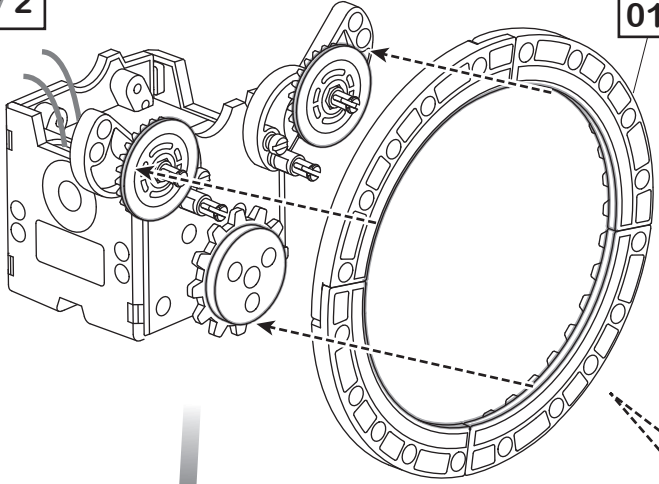


11 / 1



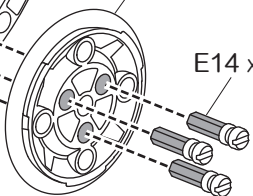
11 / 2

01

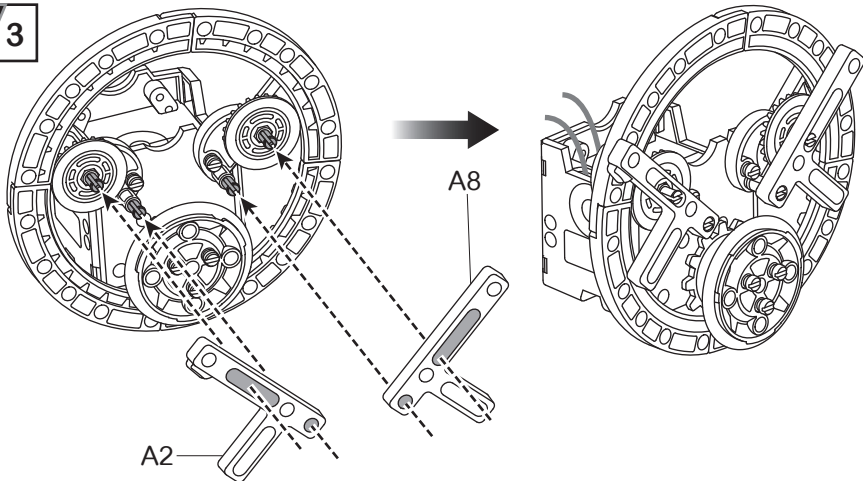


Wheel

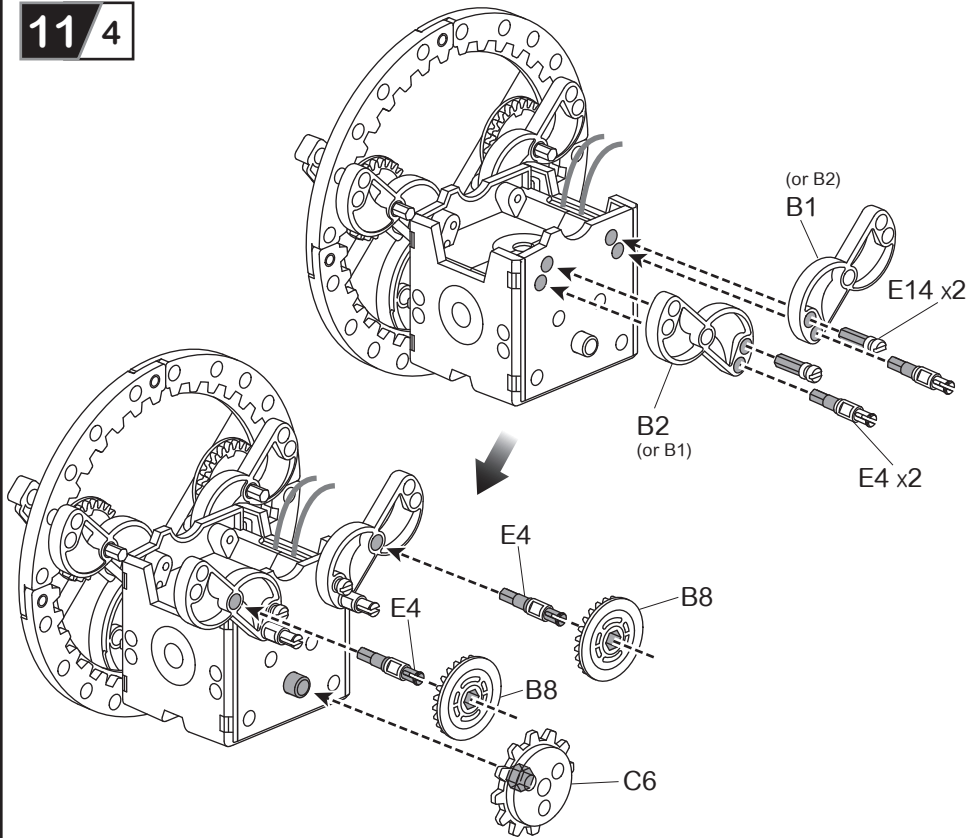
E14 x3



11/3

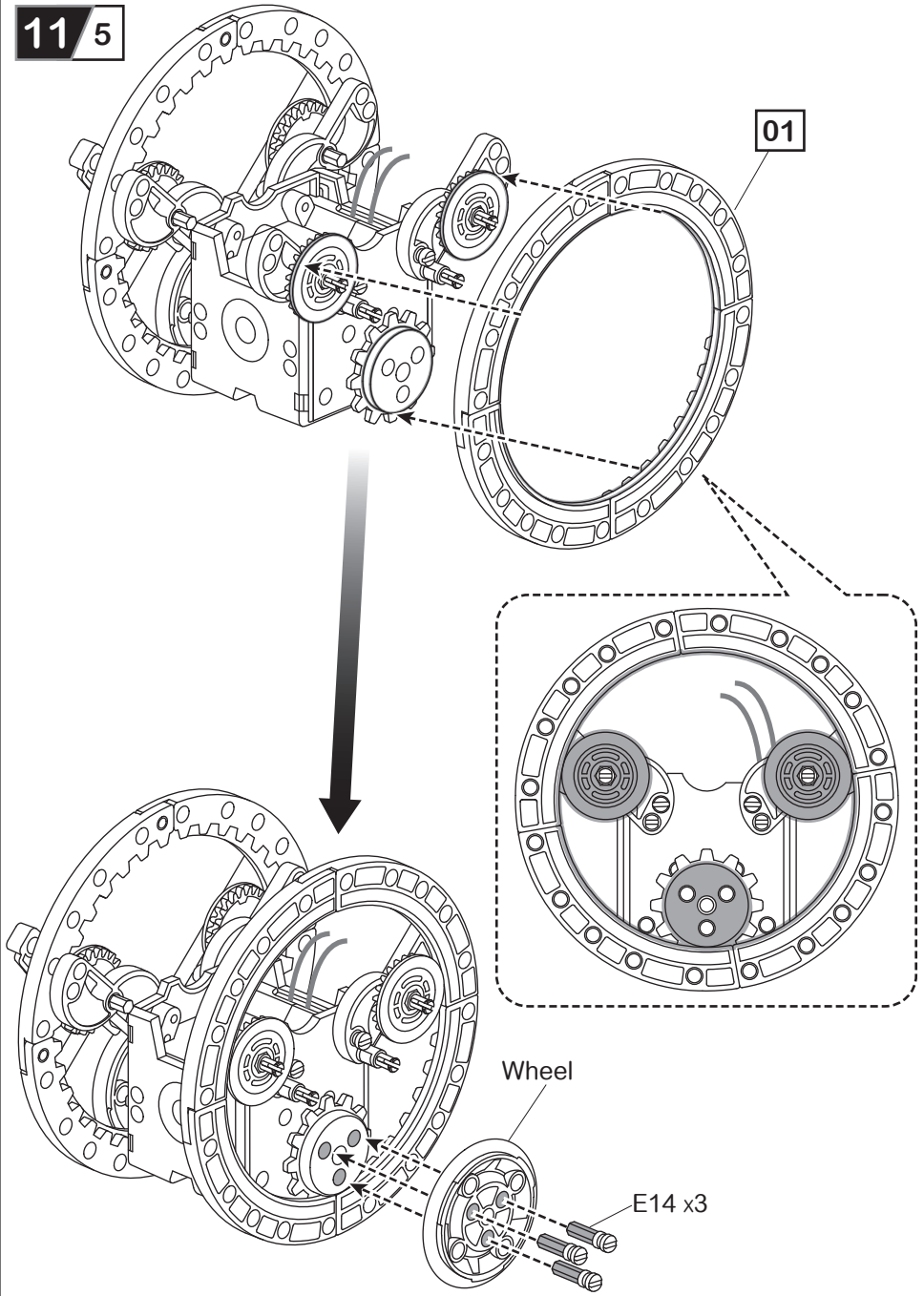


11/4

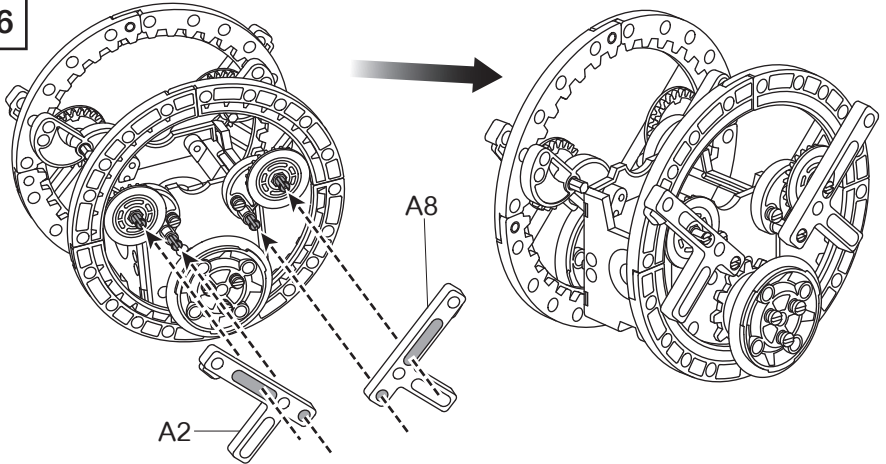




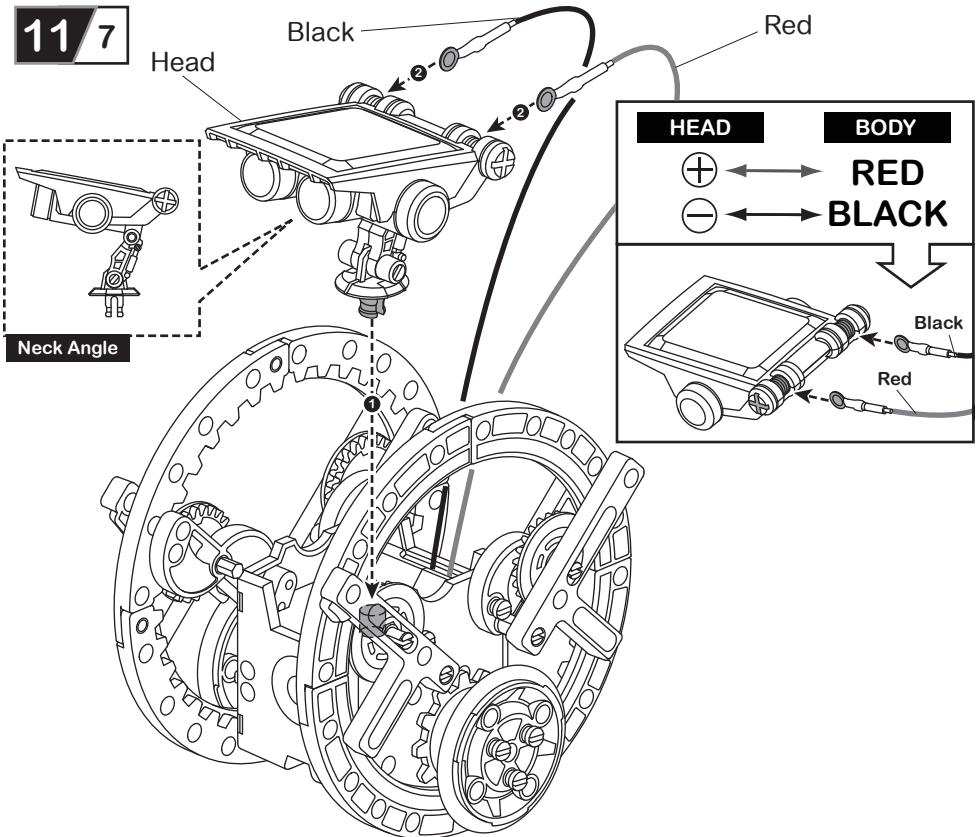
11 / 5



11 / 6



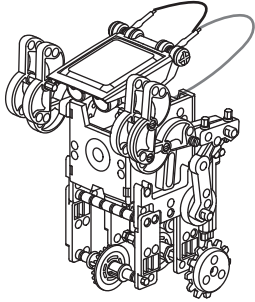
11 / 7



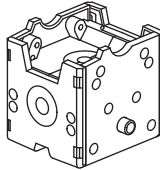


# 12 Boxer-bot Assembly

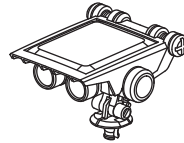
# Level 2



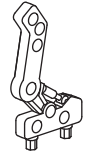
Prepare the below parts first before you assemble the "Boxer-bot".



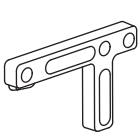
**Body**



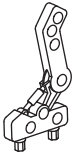
**Head**



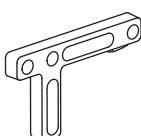
**A1 x1**



**A2 x1**



**A7 x1**



**A8 x1**



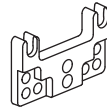
**B1 x3**



**B2 x3**



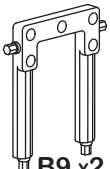
**B3 x4**



**B4 x2**



**B8 x4**



**B9 x2**



**C2 x2**



**C6 x2**



**C7 x2**



**E6 x8**



**E14 x2**



**E5 x4**



**E10 x2**



**E4 x2**



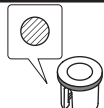
**E9 x4**



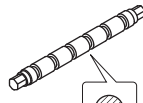
**E11 x2**



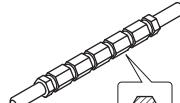
**E7 x4**



**E1 x6**

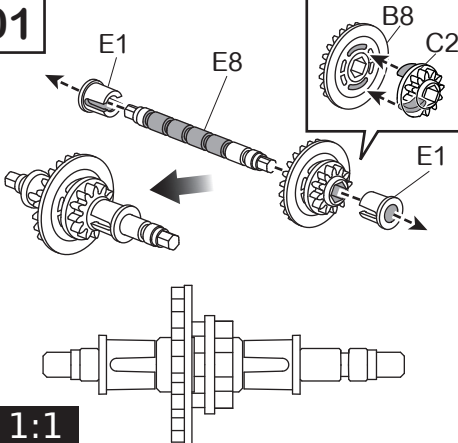


**E8 x4**

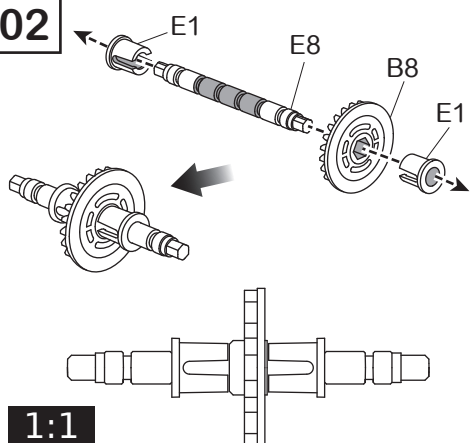


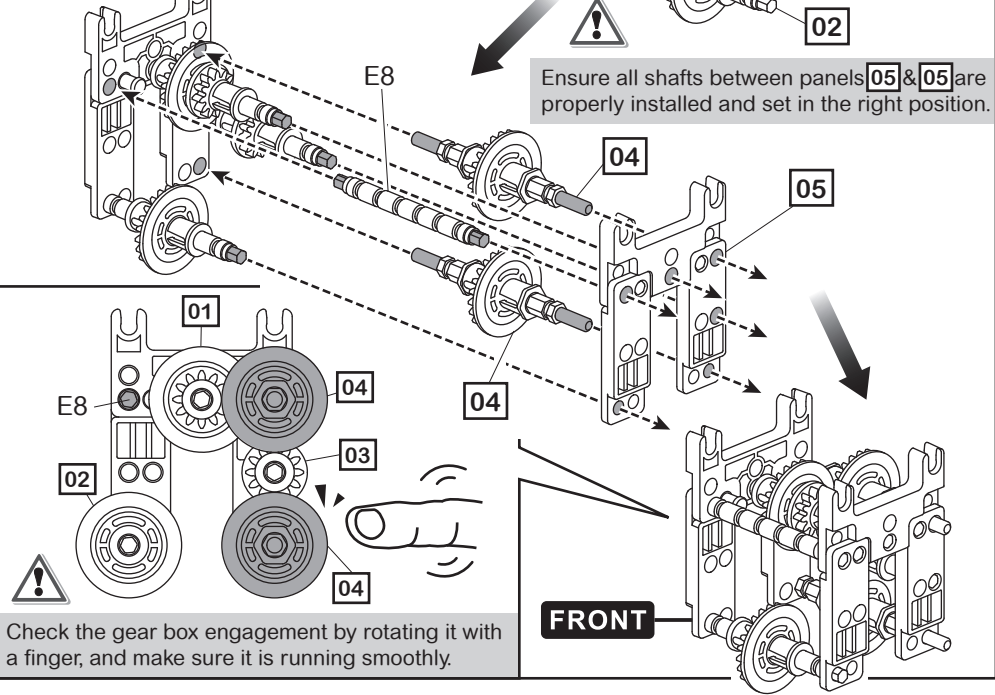
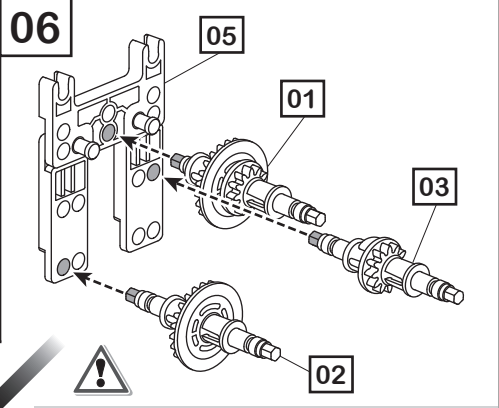
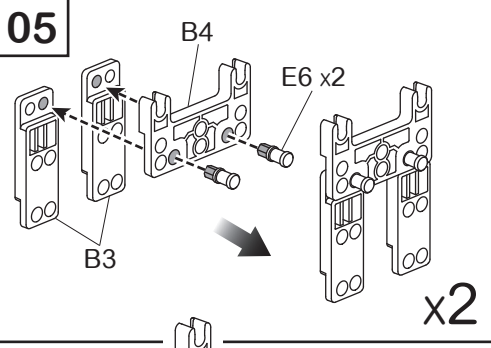
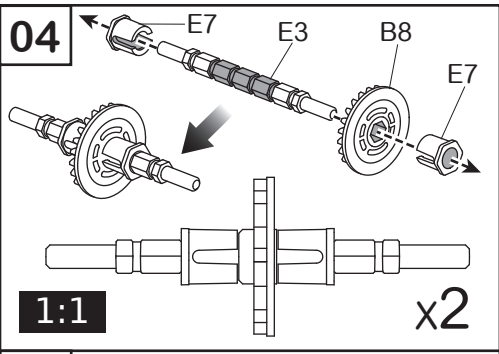
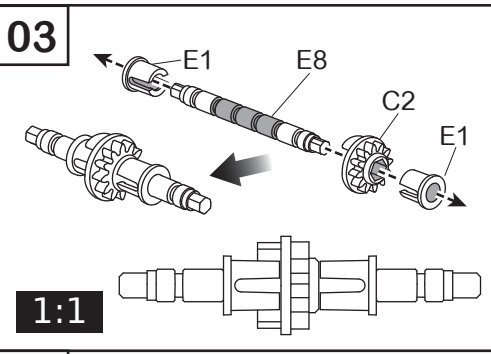
**E3 x2**

**01**



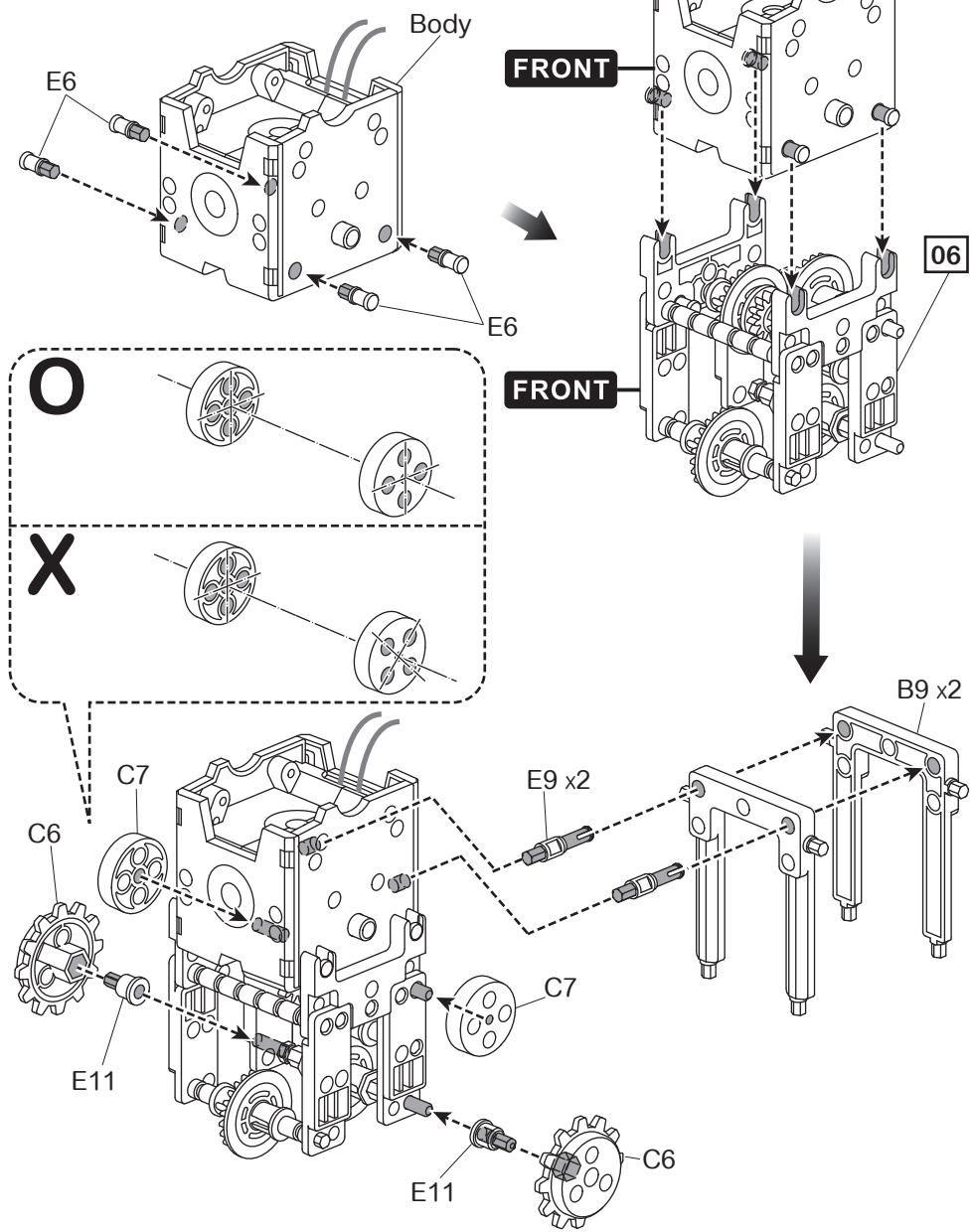
**02**

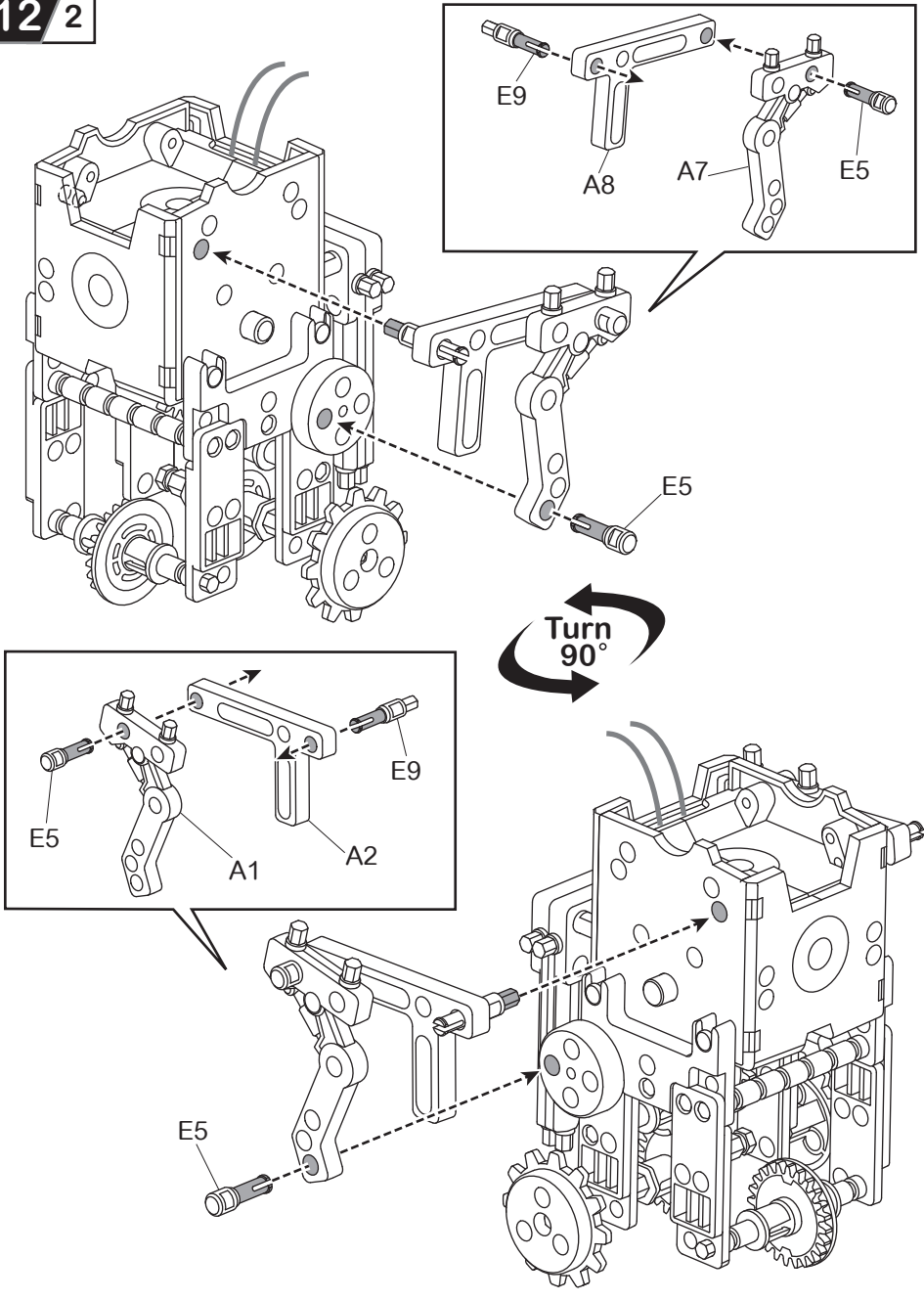




! Check the gear box engagement by rotating it with a finger, and make sure it is running smoothly.

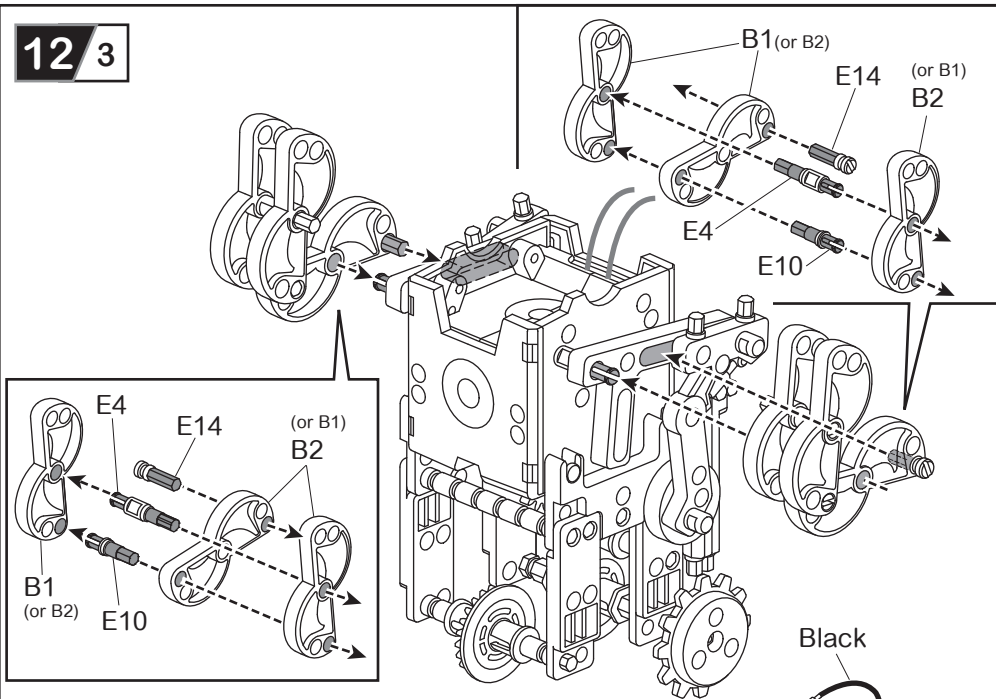
12/1



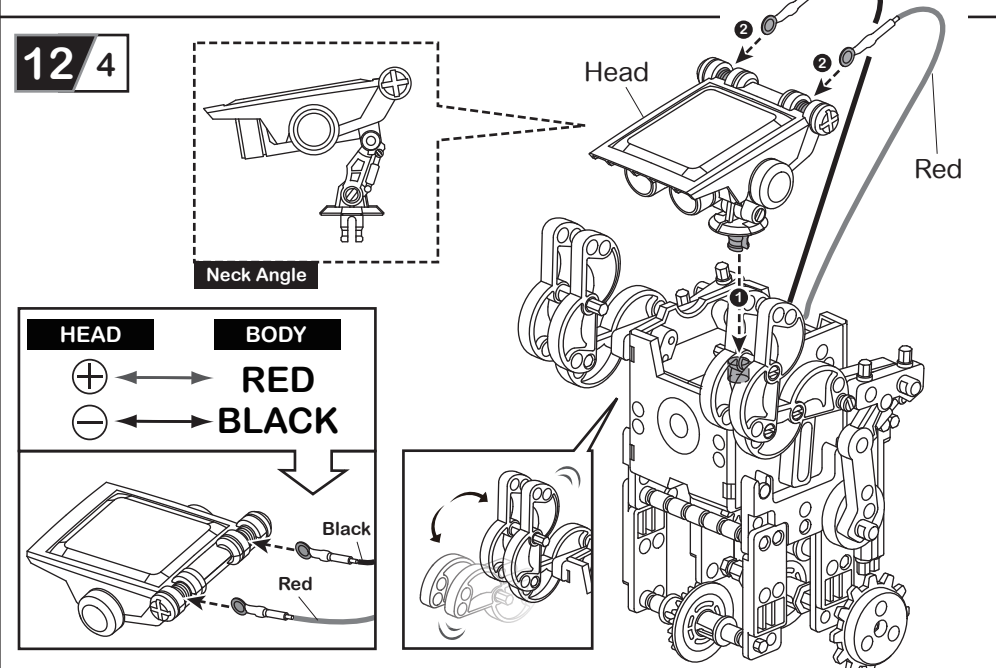


Turn  
90°

12 / 3

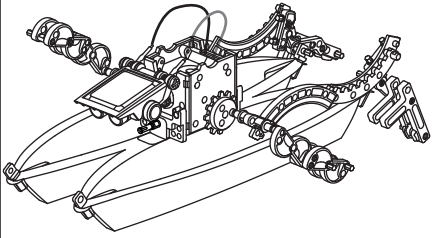


12 / 4

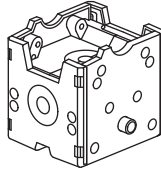


# 13 Surf-bot Assembly

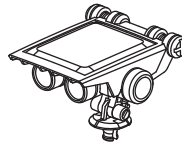
Level 2



Prepare the below parts first before you assemble the "Surf-bot".



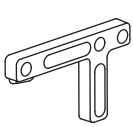
Body



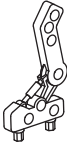
Head



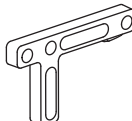
A1 x1



A2 x2



A7 x1



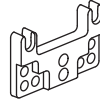
A8 x2



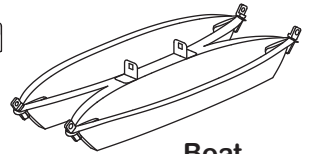
B1 x3



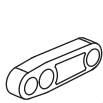
B2 x3



B4 x2



Boat



B5 x2



C1 x4



C6 x2



E6 x4



E5 x6



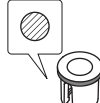
E10 x4



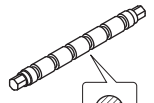
E4 x10



E9 x2

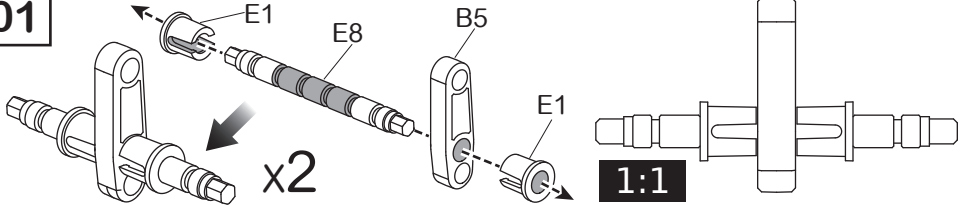


E1 x4



E8 x2

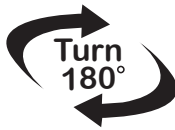
01



13 / 1

FRONT

Body



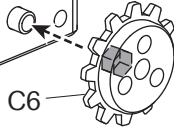
Turn 180°

BACK

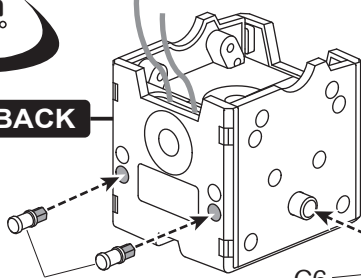
Body



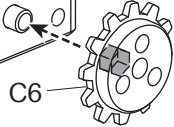
E6



C6



E6



C6

LEFT

RIGHT

O

O

BACK

BACK

X

X

B4

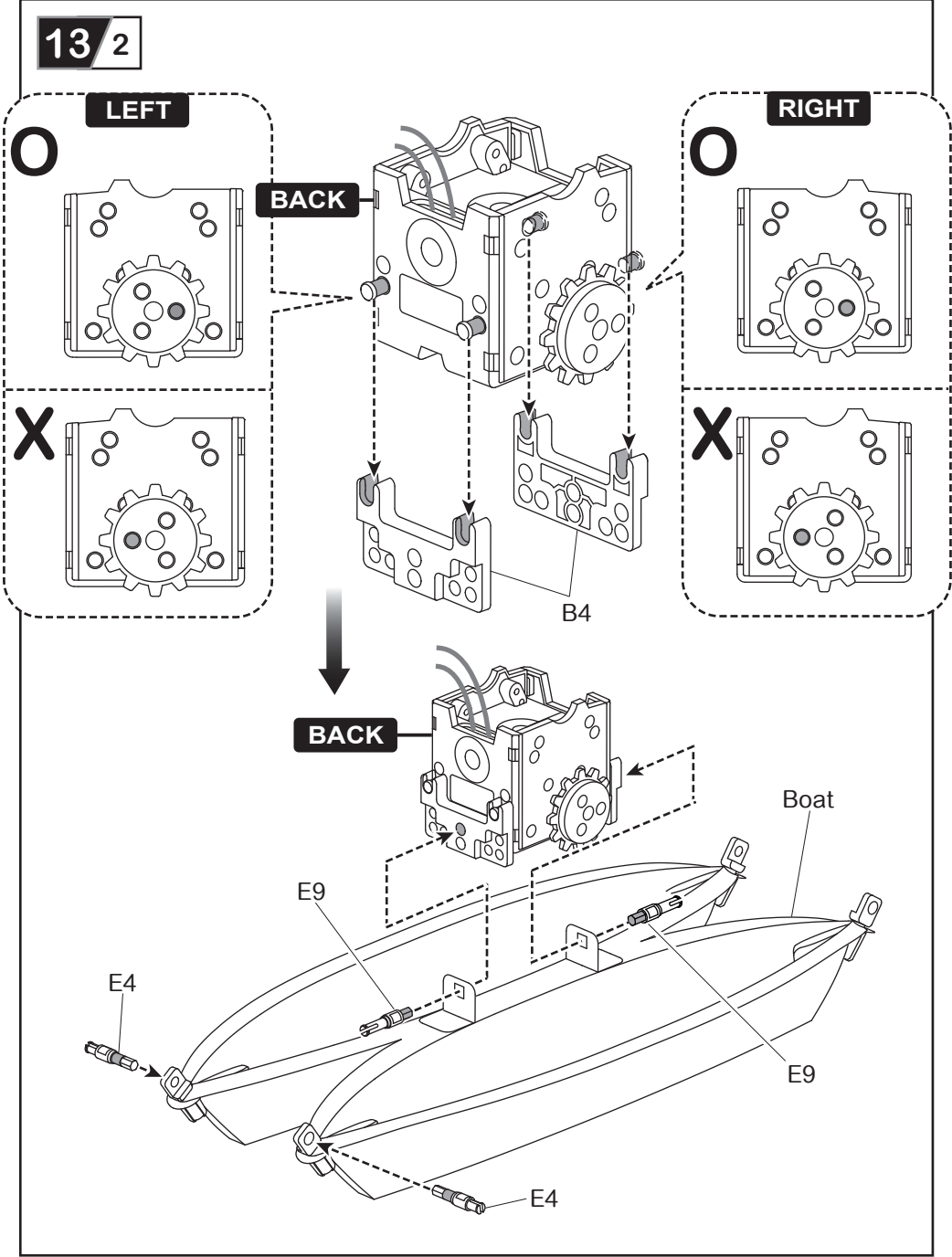
E9

E4

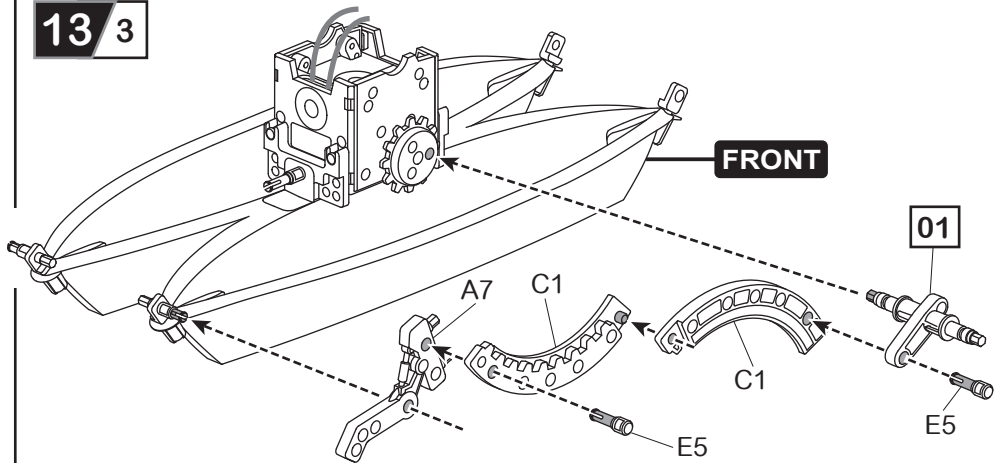
Boat

E9

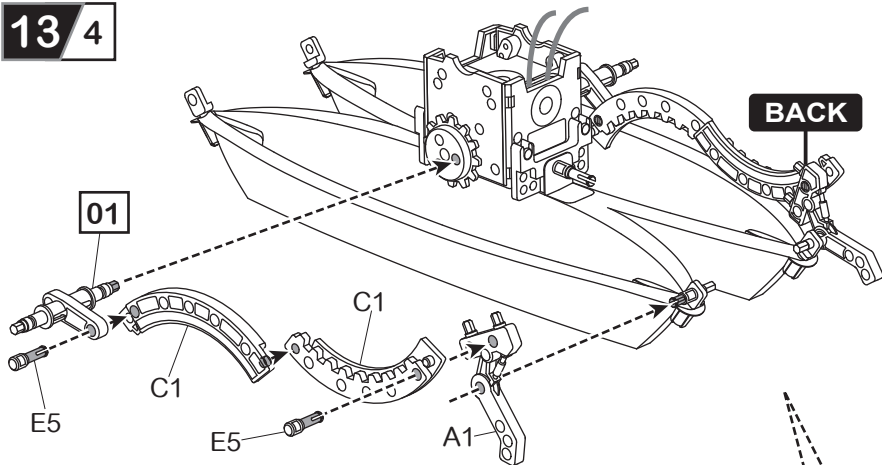
E4



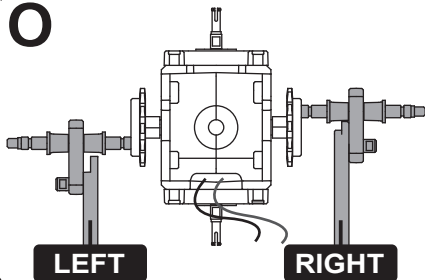
13 / 3



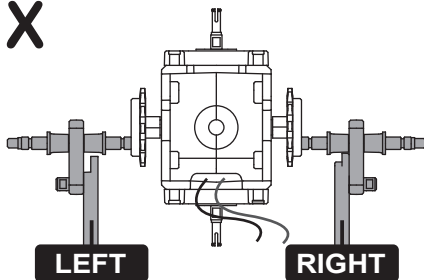
13 / 4



O



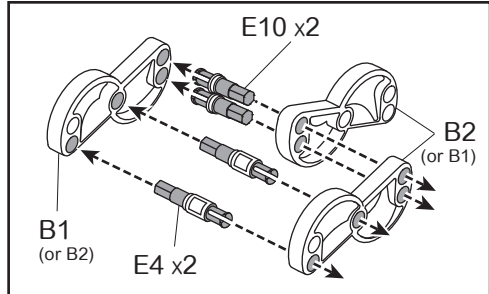
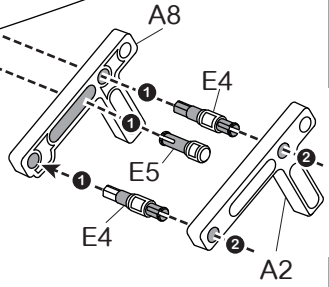
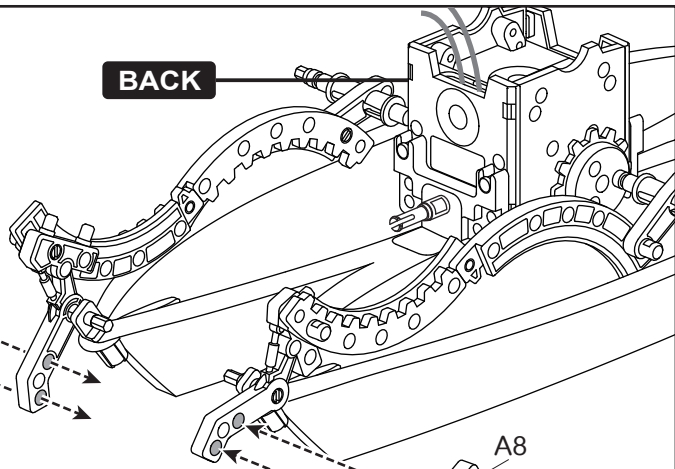
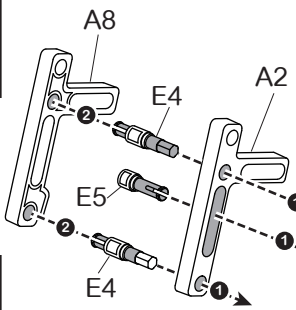
X



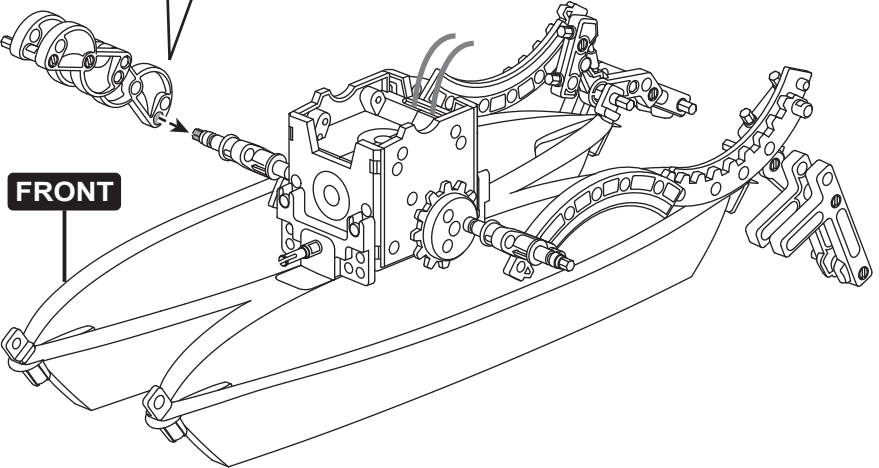


13 / 5

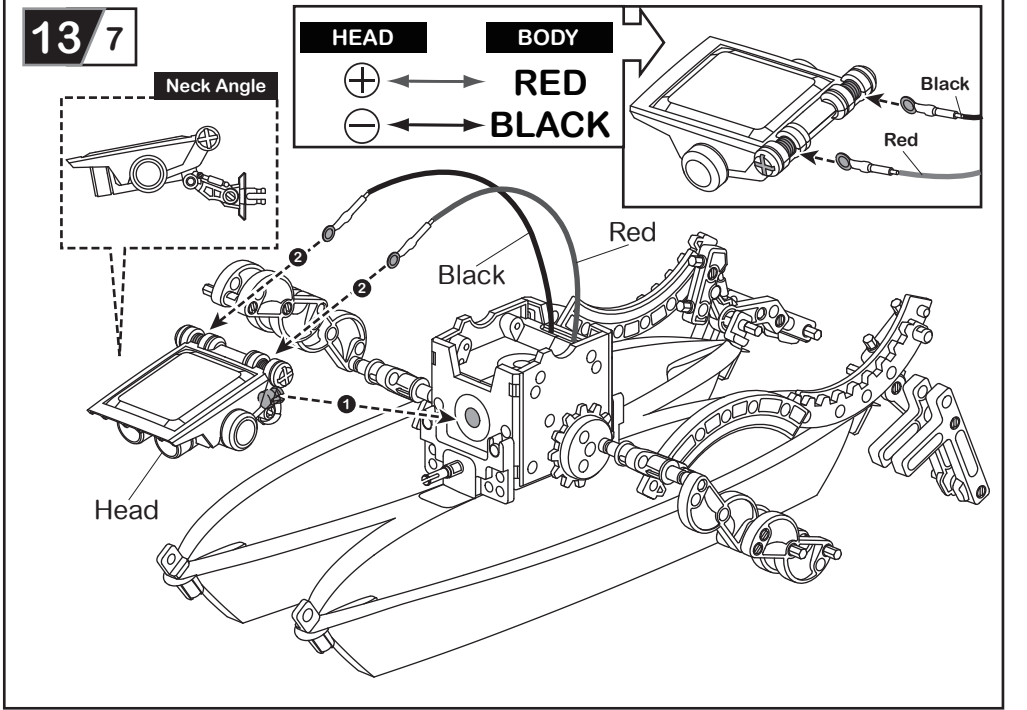
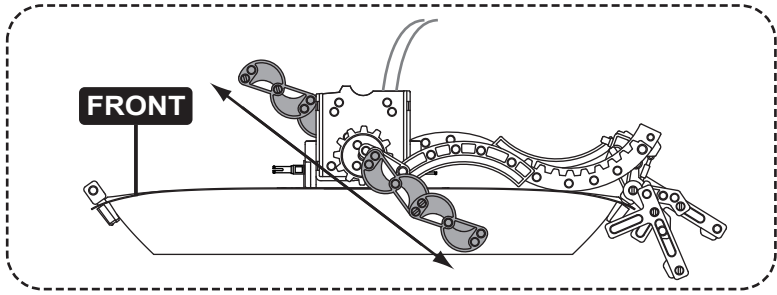
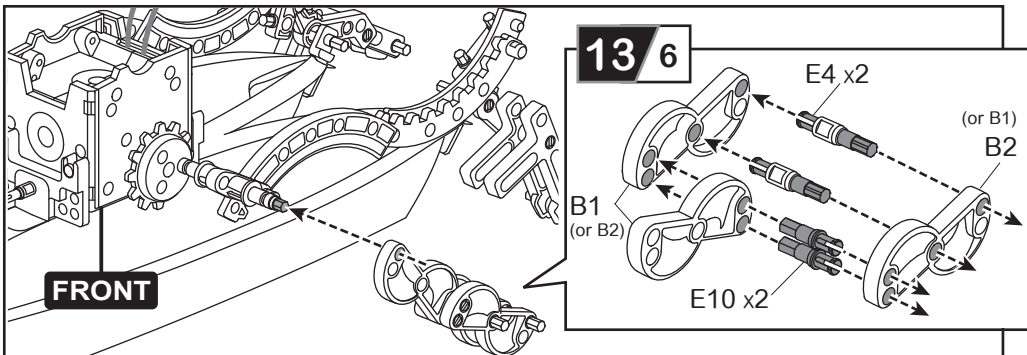
BACK



Turn 180°

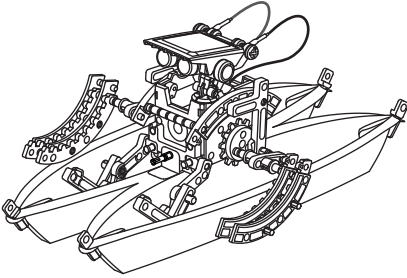


FRONT

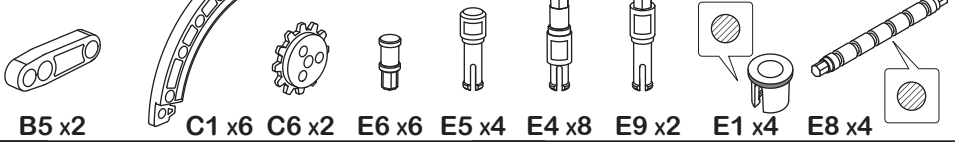
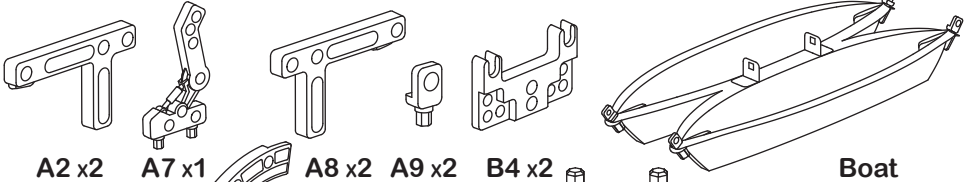
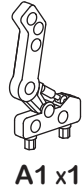
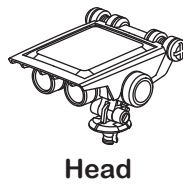
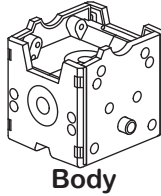


# 14 Row-bot Assembly

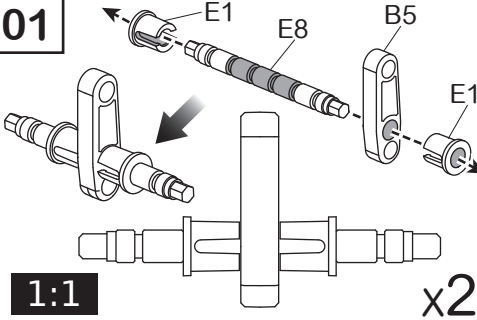
**Level 2**



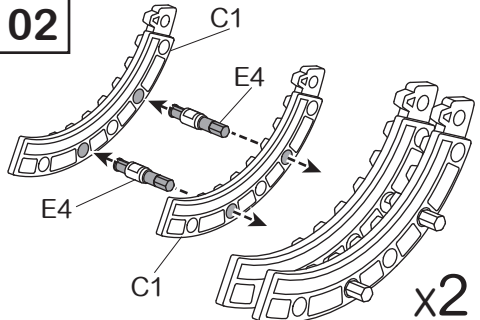
Prepare the below parts first before you assemble the "Row-bot".



**01**

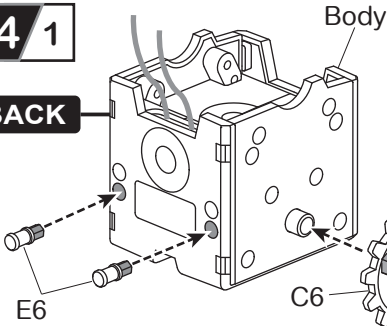


**02**

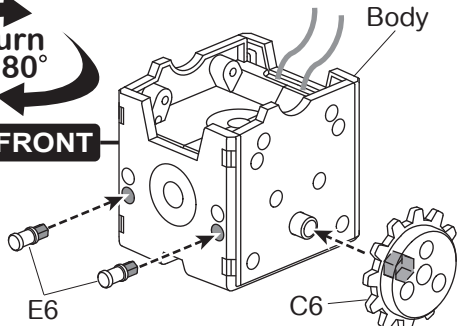


**14 / 1**

**BACK**



**FRONT**



**RIGHT**

**14 / 2**

**LEFT**

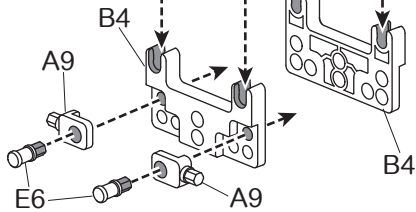
**O**

**O**

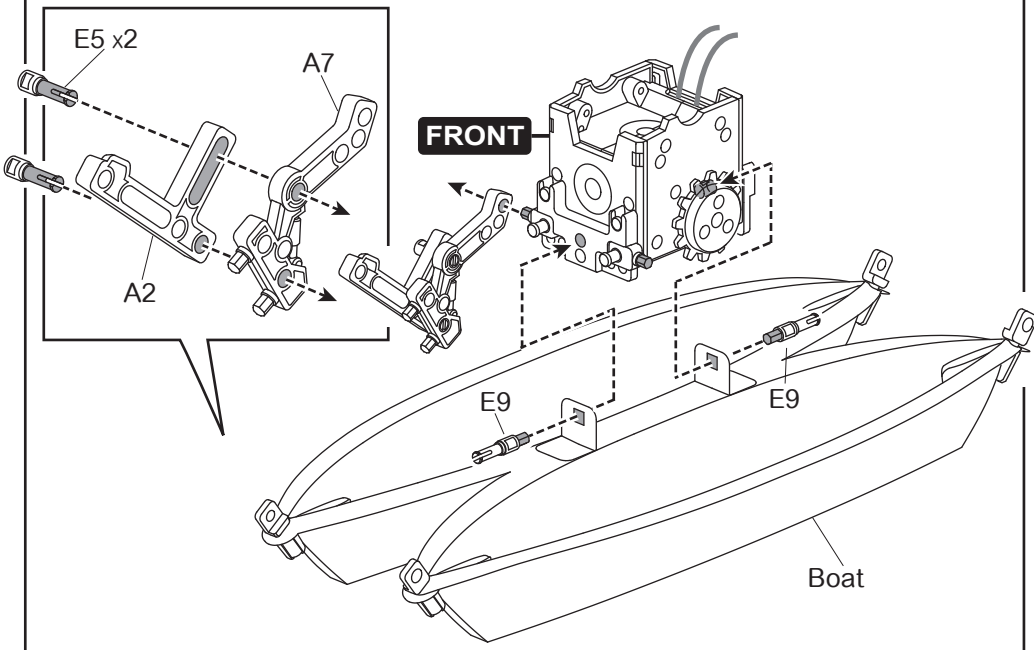
**FRONT**

**X**

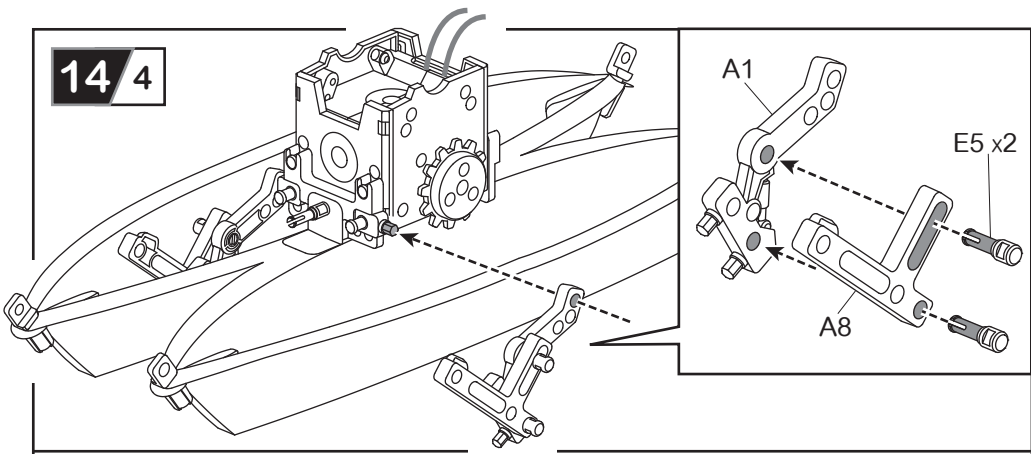
**X**



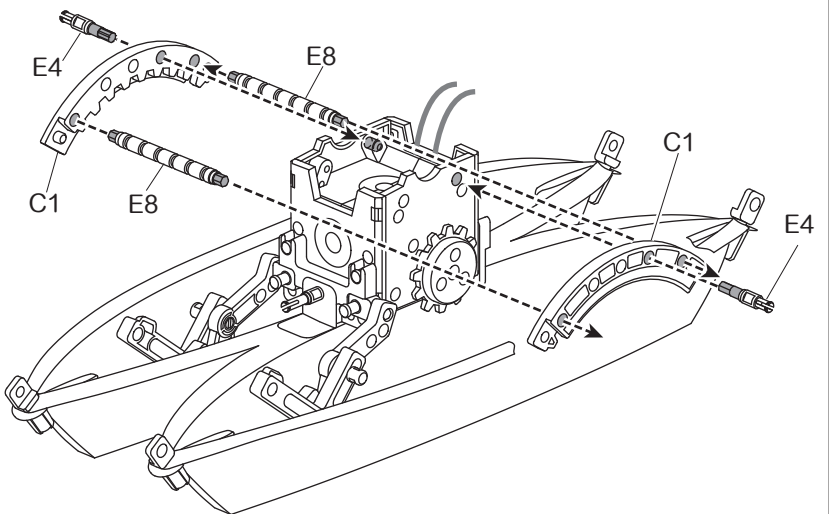
**14 / 3**



14 / 4

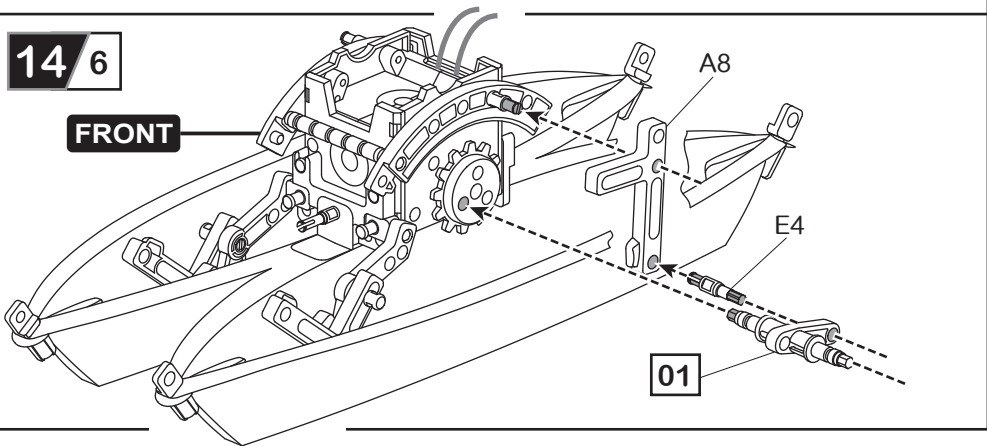


14 / 5

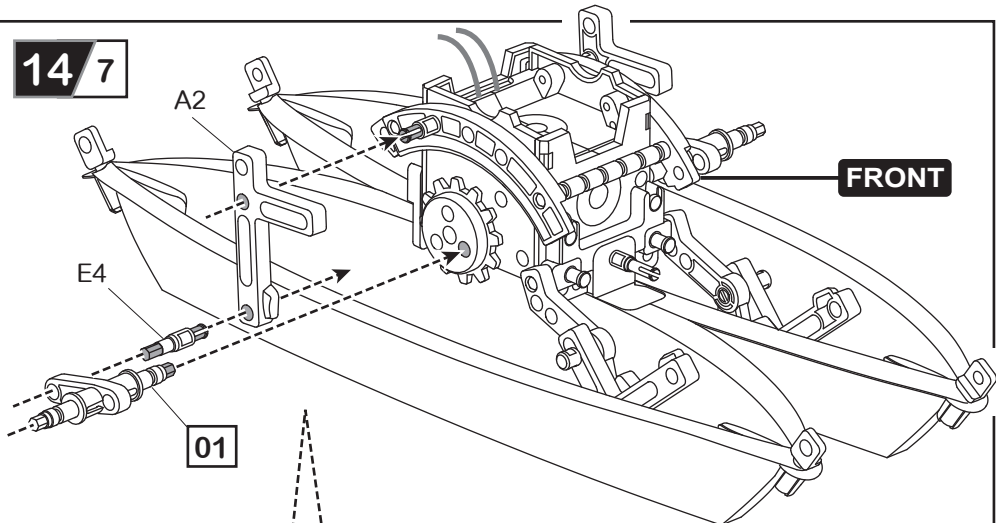


14 / 6

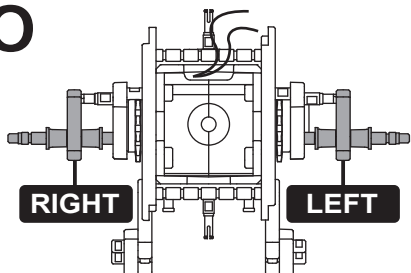
FRONT



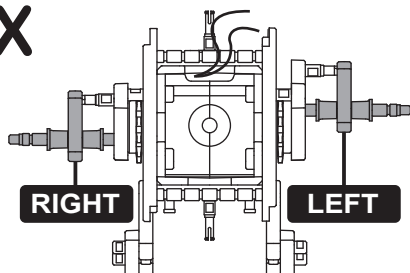
14 / 7



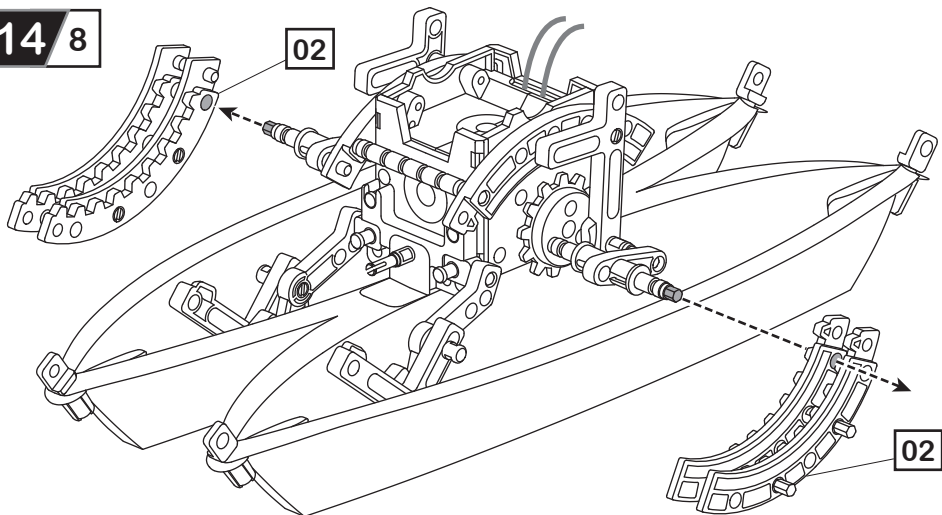
O



X



14 / 8



14 / 9

HEAD

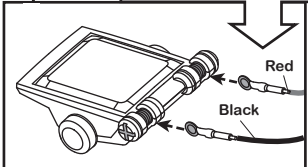
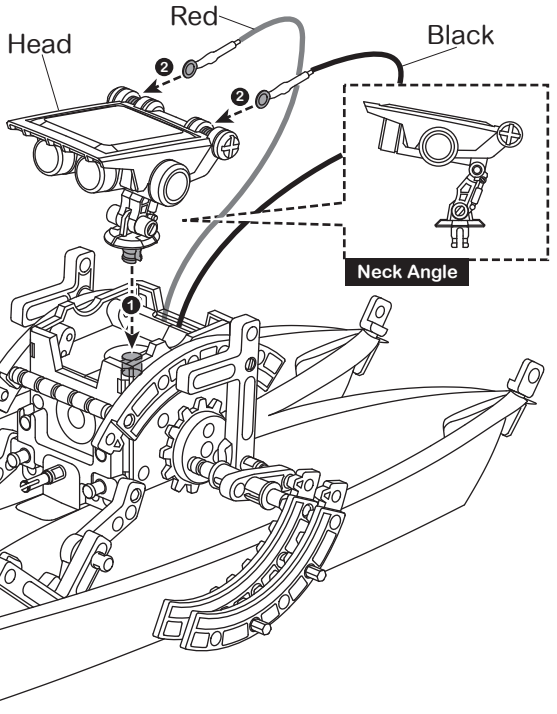
BODY



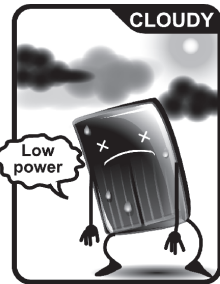
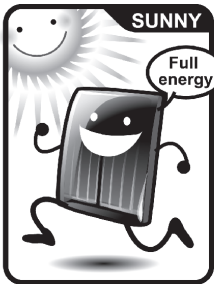
RED



BLACK



## It's time to have some FUN !



1. Take outside under direct sunlight. Best results are obtained when operated on a sunny day.
2. For indoor fun, use a 50 watt halogen light. The product will not run on a cloudy day, shaded locations, indirect sunlight, or under a Fluorescent light.







- 14 solar robots
- Educational
- Robotistic
- Mechanical
- Scientific & Fun

---

Copyright © 2013 CIC. All rights reserved



**14 in 1 EDUCATIONAL SOLAR ROBOT KIT**

4350006151