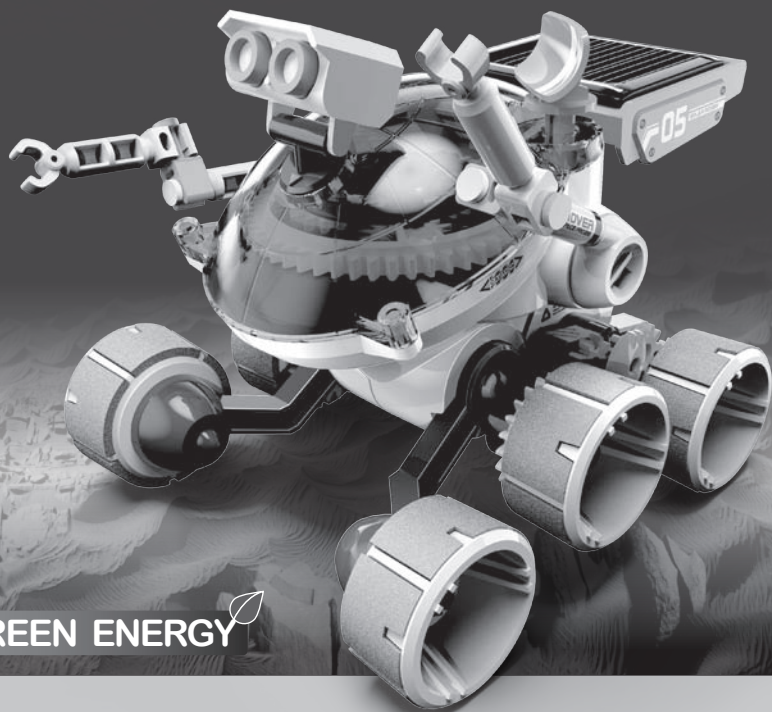




# SOLAR ROVER



GREEN ENERGY 

Assembly & Instruction

# Manual

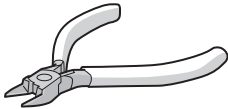
# SOLAR ROVER

This is an all-terrain Solar vehicle, equipped with 6-Wheel mechanical Suspension and 4-wheel drive system, this super Rover conquers and goes beyond boundaries.

Additionally, fantastic Planetary gears transmission system and adjustable robotic arms to add more interesting and fun for children to play and learn.

The Sun, The Rover, go your adventure Journey.

## Tool You May Need



Diagonal Cutter

## Mechanical Parts List

**!** Product contains functional edges and sharp points.

P1	Solar Panel With Motor	QTY
	<p><b>!</b> Don't connect the wires to the mains.</p>	1

P2	Gear(Yellow)	P3	Gear(Orange)	P4	Gear(Red)	P5	Sponge
	QTY 1		QTY 4		QTY 1		QTY 2

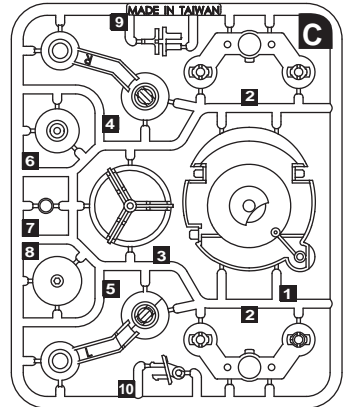
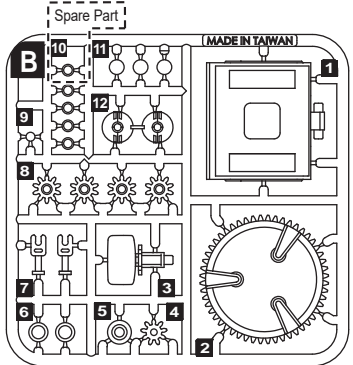
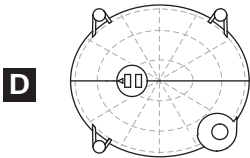
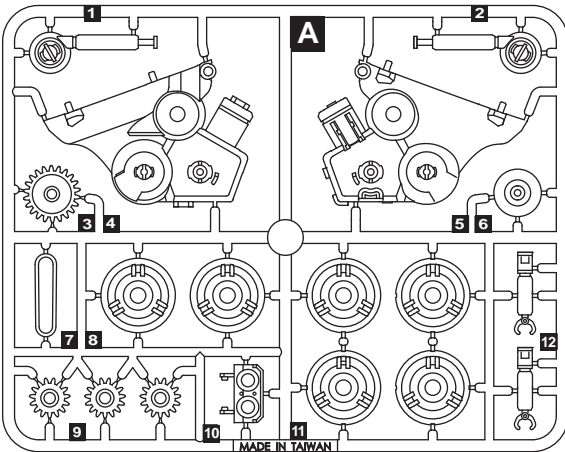
P6	Hex Shaft	P7	Round Shaft (Short)	P8	Round Shaft (Medium)	P9	Round Shaft (Long)
	QTY 1		QTY 1 (2x16mm)		QTY 2 (2x23mm)		QTY 1 (2x26mm)

P10	Sticker	P11	Sponge
	QTY 1		QTY 1



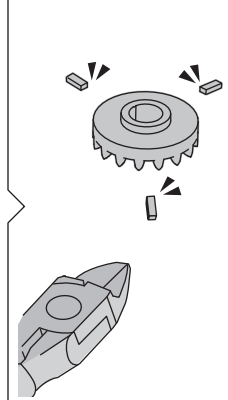
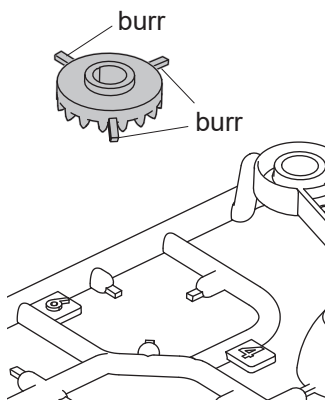
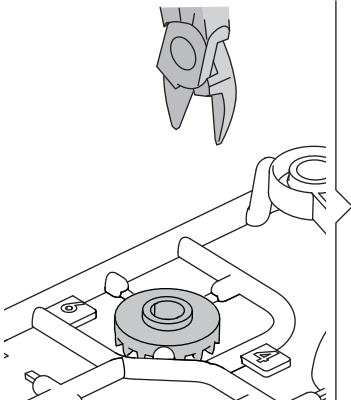
# Plastic Parts

**!** Cut the plastic parts when they are required.  
Do not cut them in advance.



## Hints

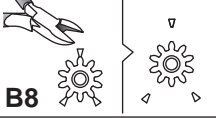
Cut off the burrs before assembly.



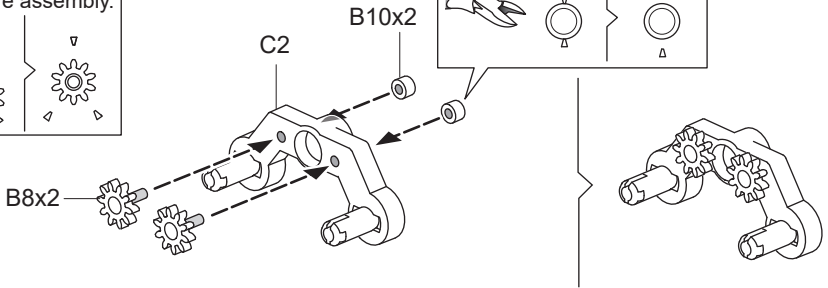
# Mechanical Assembly

1

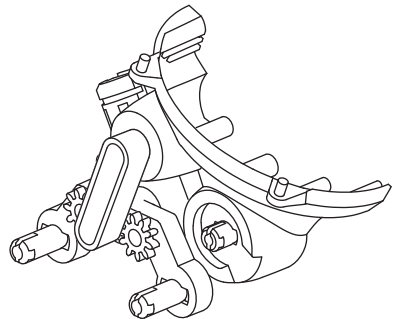
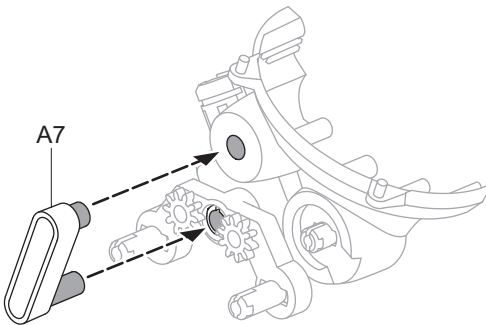
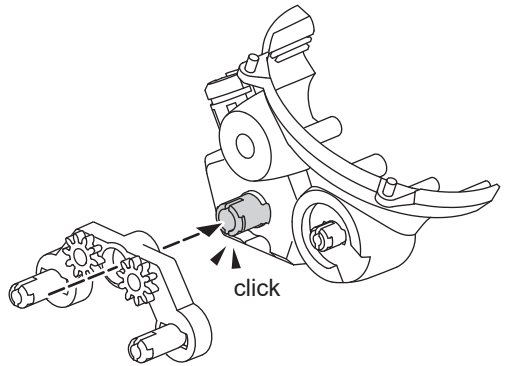
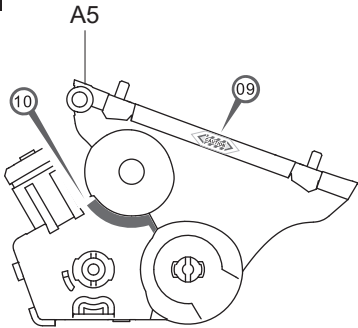
! Cut off B8 burrs before assembly.



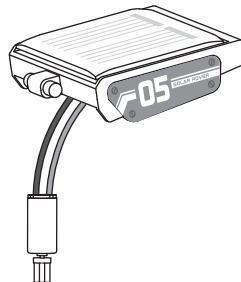
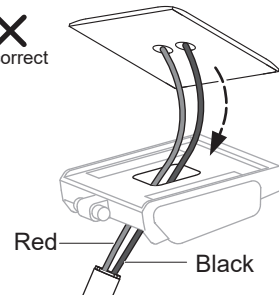
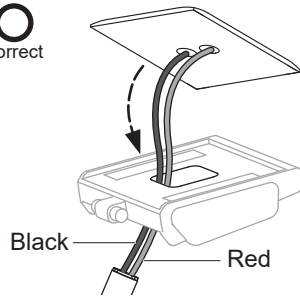
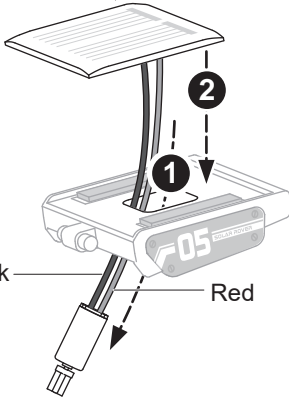
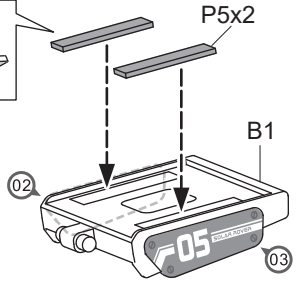
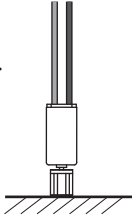
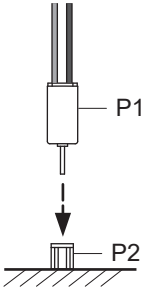
! Cut off B10 burrs before assembly.



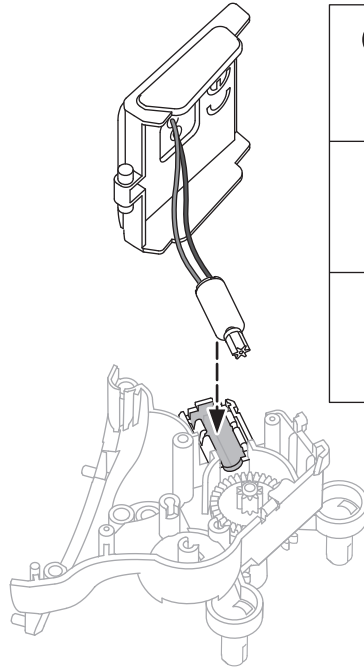
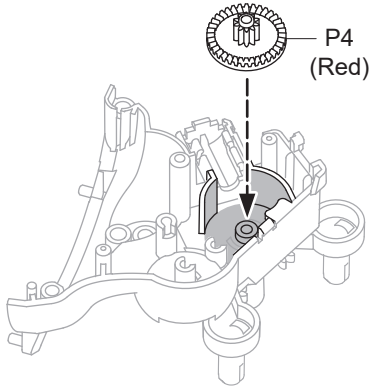
2






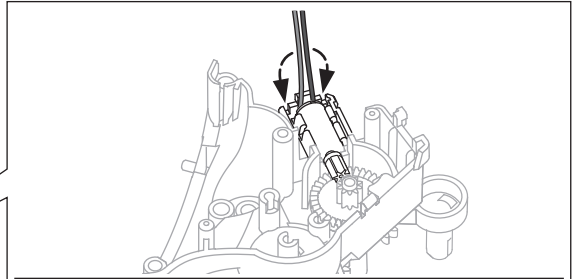
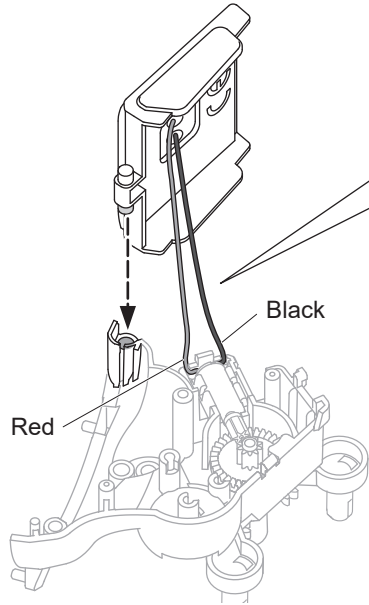
3





4



	Correct
	Incorrect
	Incorrect



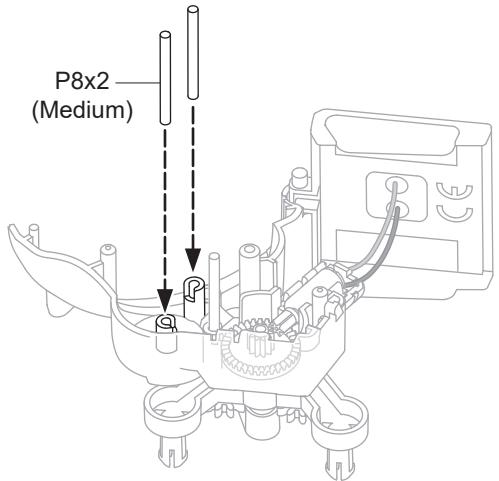
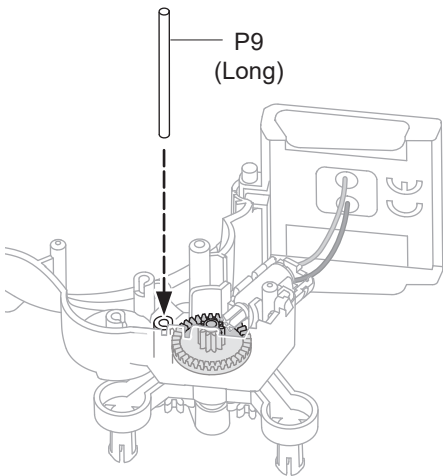
	Correct
	Incorrect

Black

Red

This diagram shows two ways to connect a cable to a gear mechanism. The top part shows a cable labeled 'Black' being connected to a gear. The bottom part shows a cable labeled 'Red' being connected to a gear. A dashed arrow points from the cable to the gear.

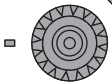
5



**!** Cut off C6 burrs before assembly.



C6



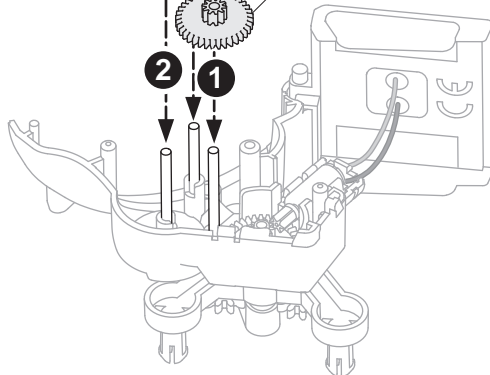
3



P3  
(Orange)

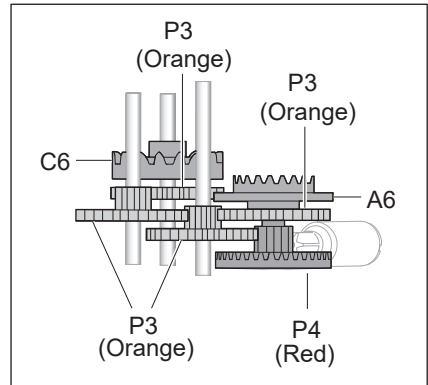
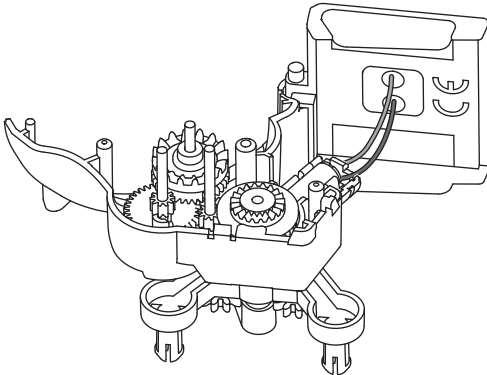
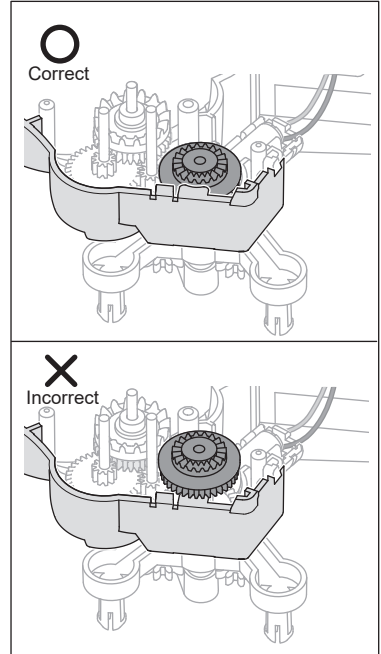
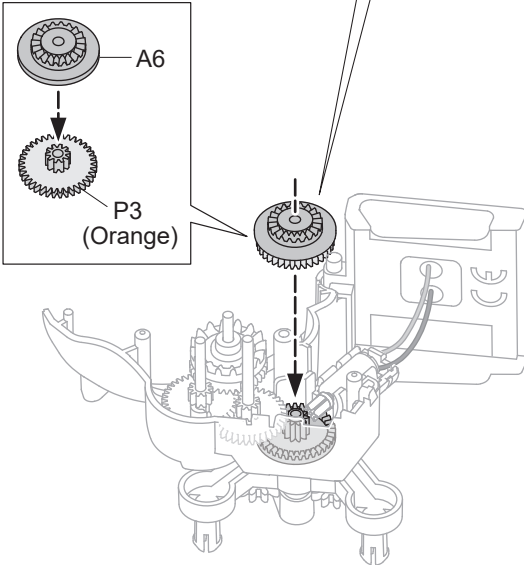
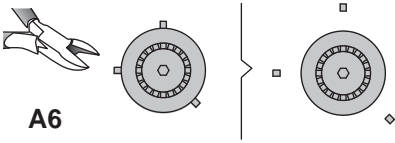
2

1

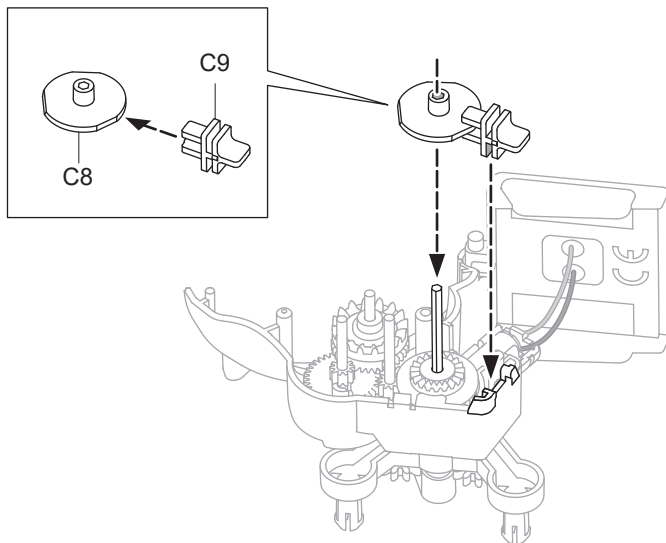
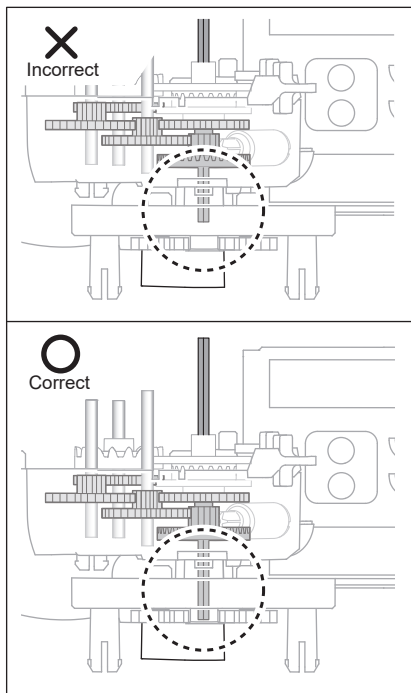
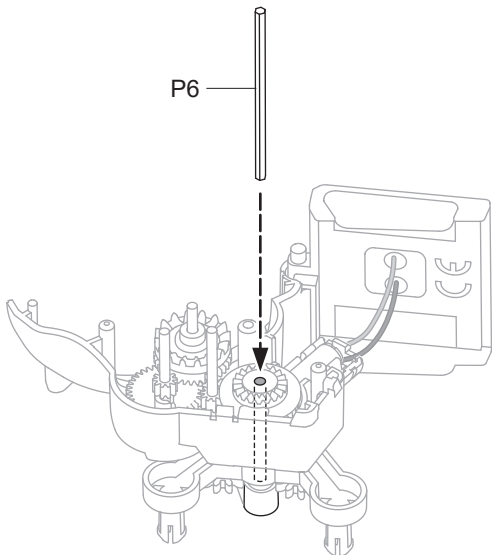


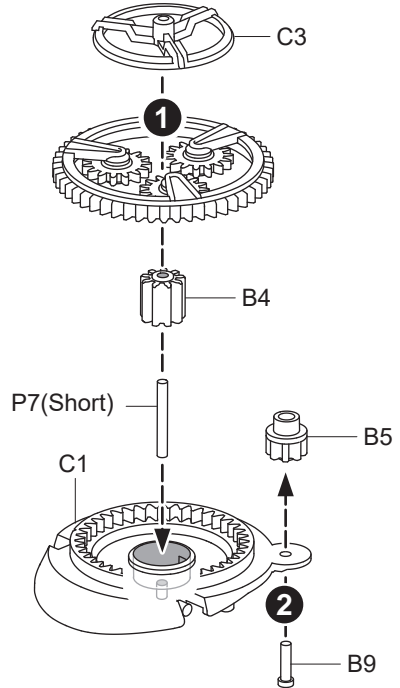
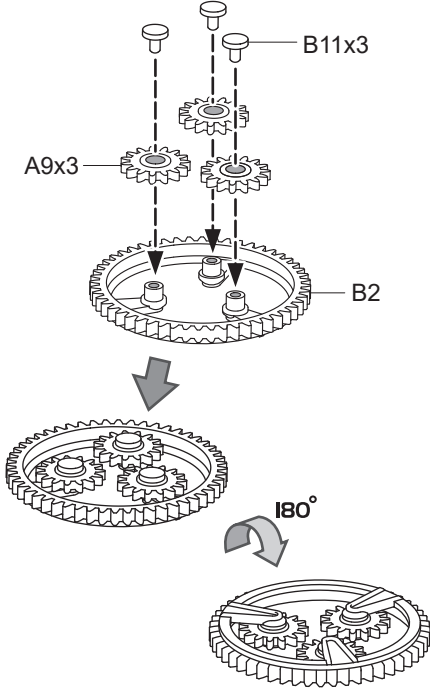
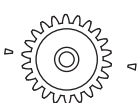
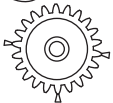
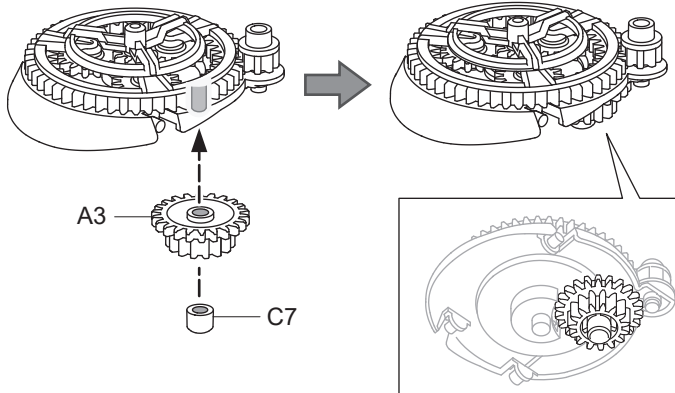
6

! Cut off A6 burrs before assembly.

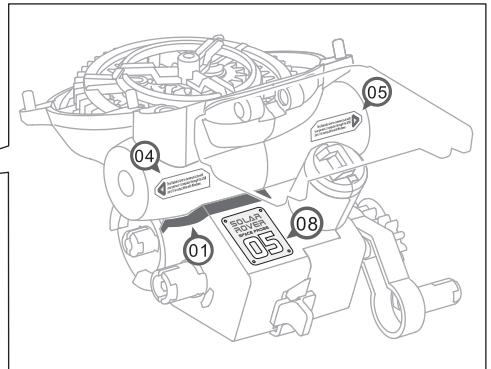
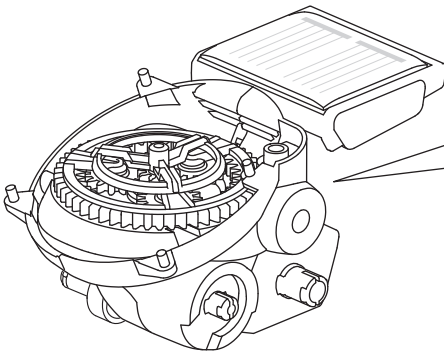
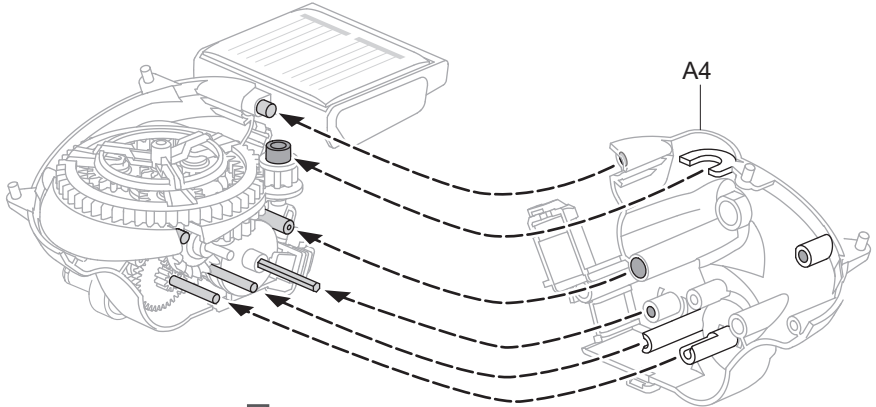
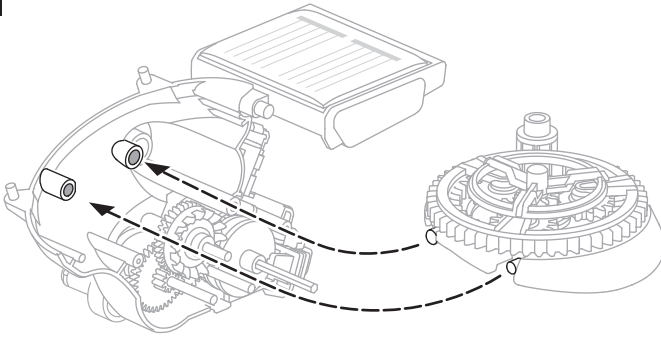






**8****!** Cut off A9 burrs before assembly.**A9****!** Cut off B4 burrs before assembly.**B4****!** Cut off A3 burrs before assembly.**A3**

9

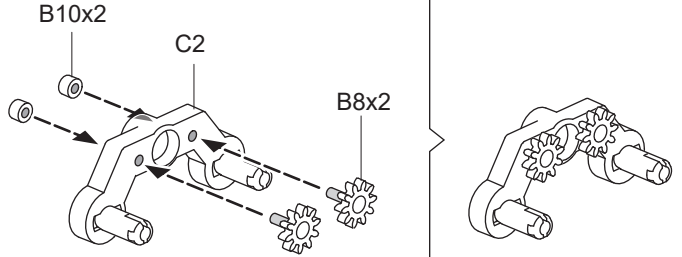


10

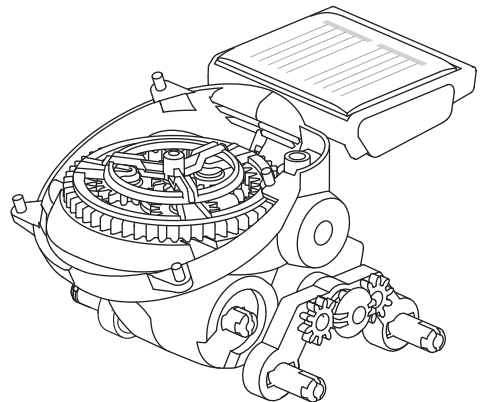
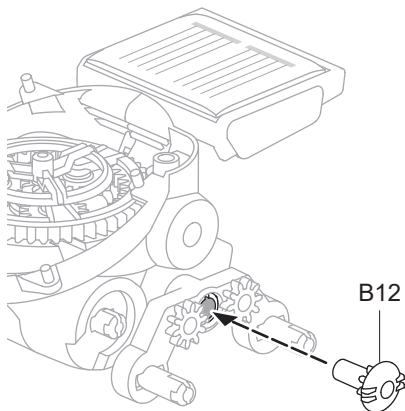
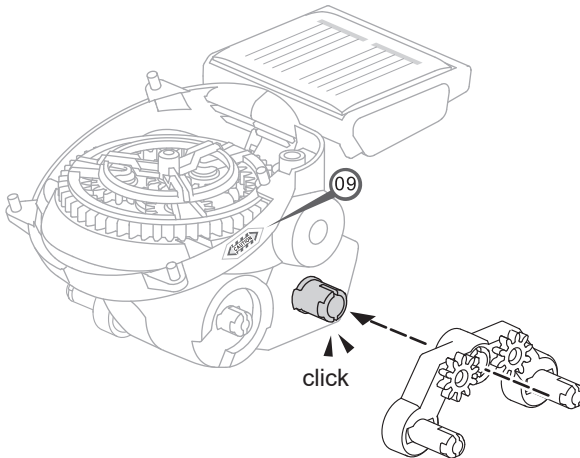
**!** Cut off B8 burrs before assembly.



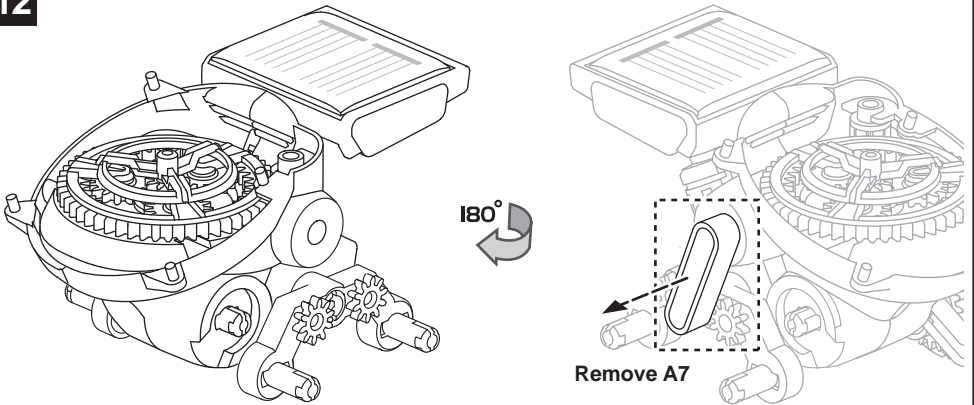
B8



11

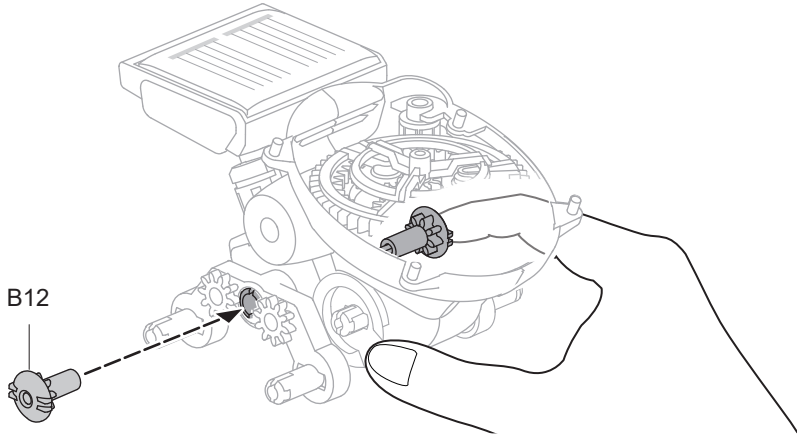


12



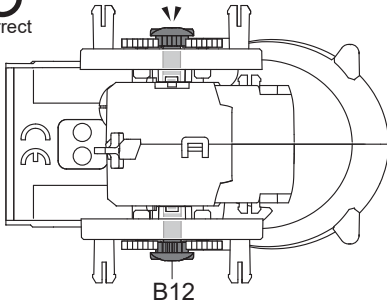
13

Use your finger to hold the other side of B12, it may help you assemble both B12 smoothly.

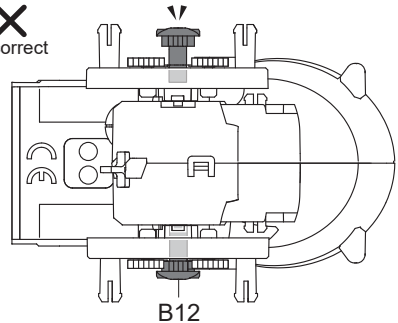


Bottom View

○  
Correct

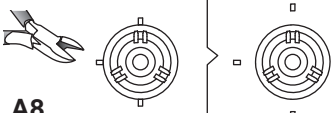


✗  
Incorrect

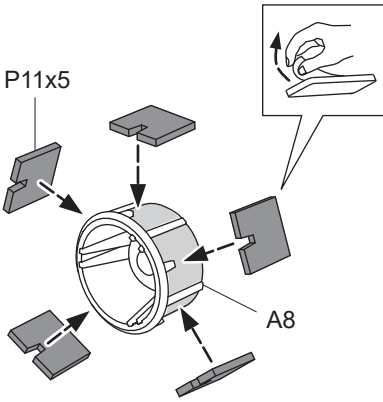


14

**!** Cut off A8 burrs before assembly.



A8

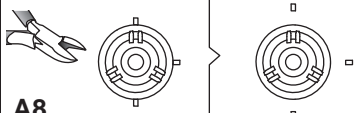


P11x5

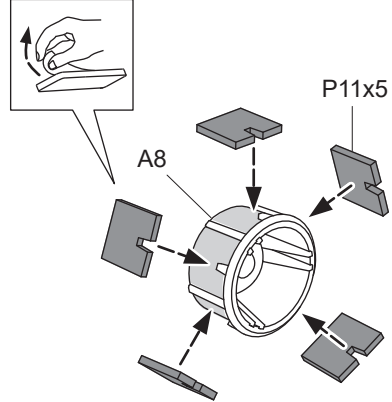
A8

15

**!** Cut off A8 burrs before assembly.



A8

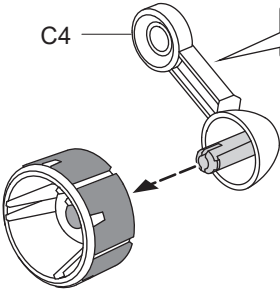


P11x5

A8

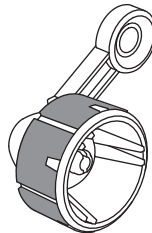
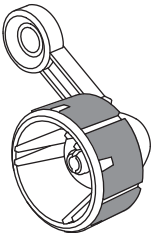
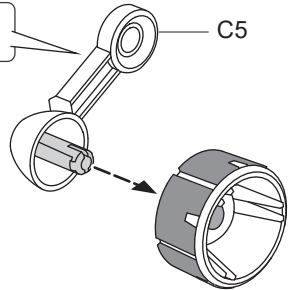
C4

**R**

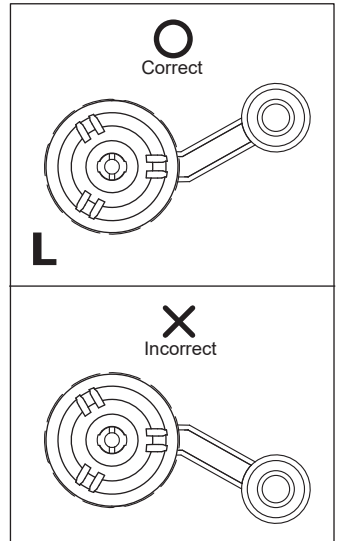
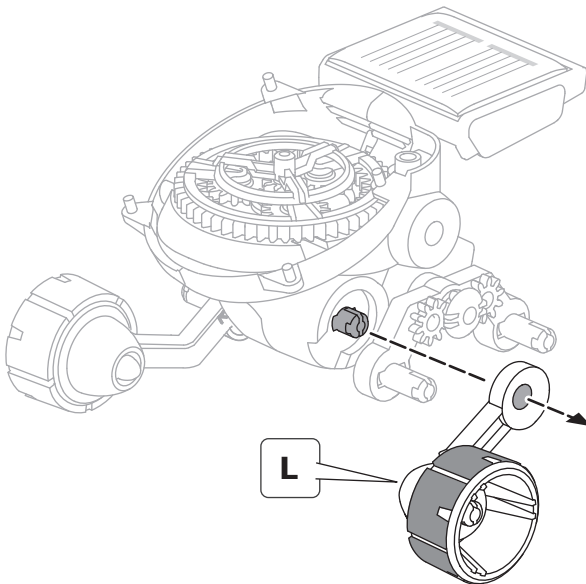
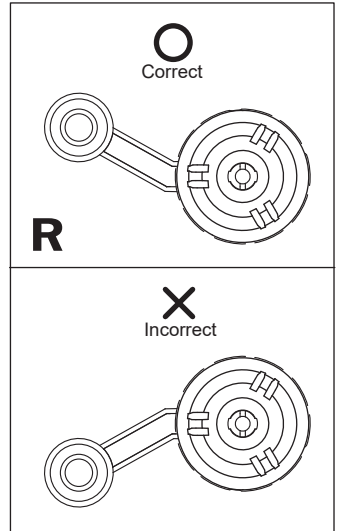
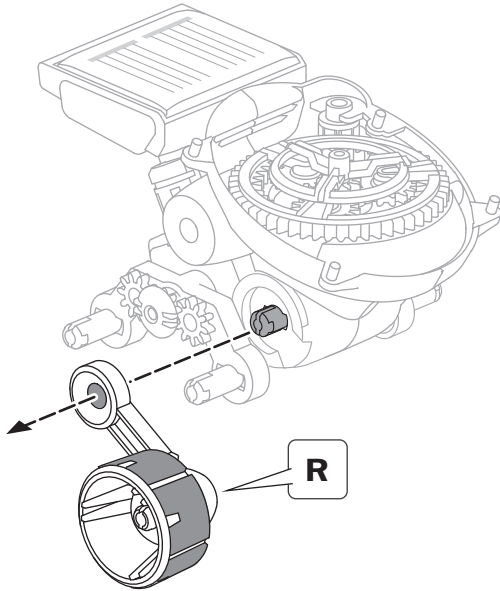


**L**

C5



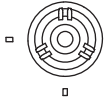




17

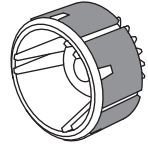
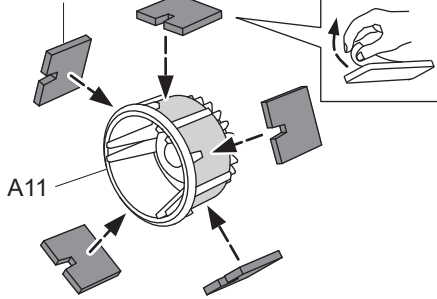


! Cut off A11 burrs before assembly.

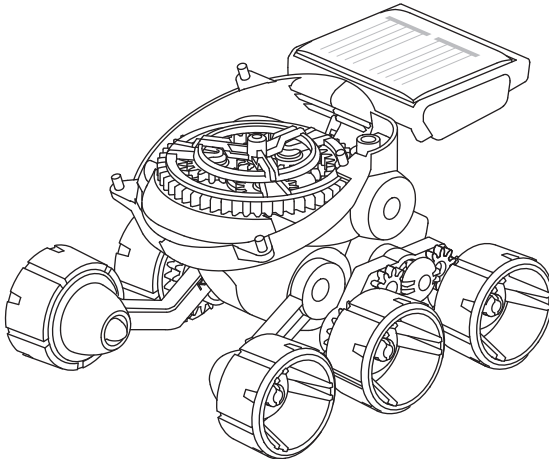
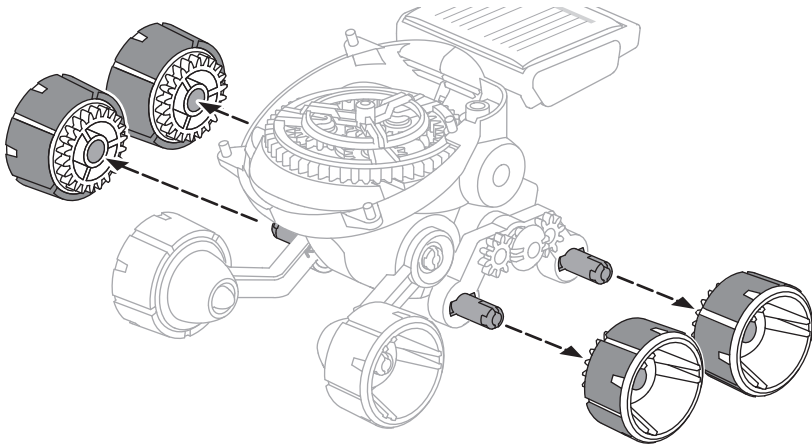


A11

P11x5

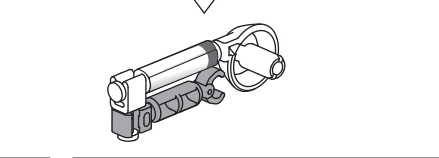
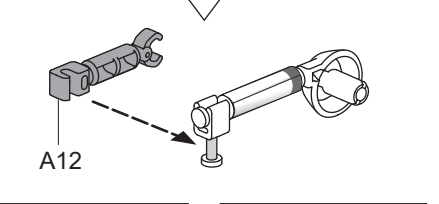
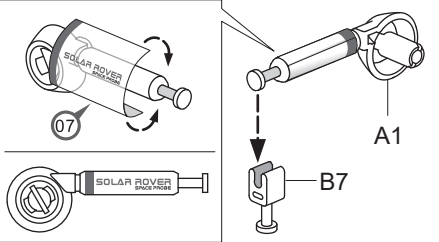
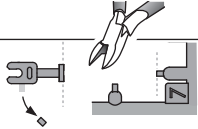


×4



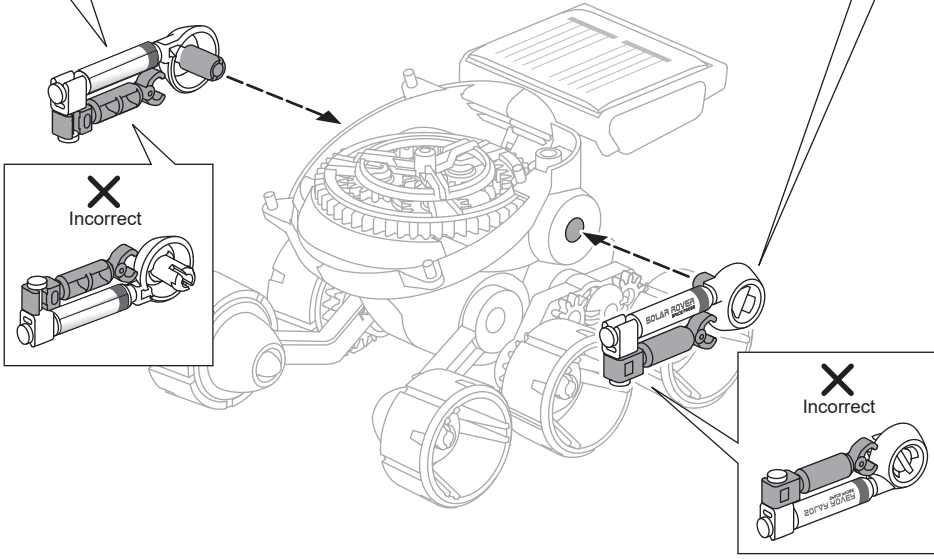
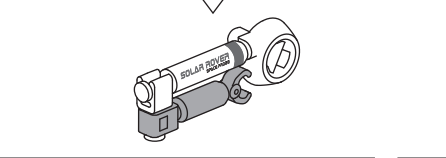
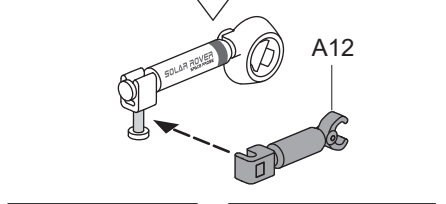
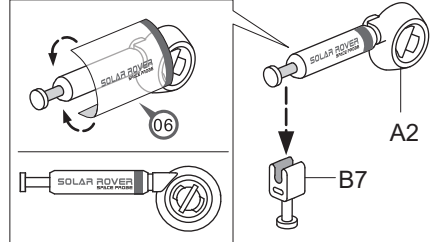
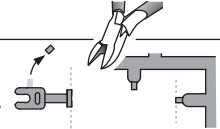
**!** Cut off the burrs before assembly.

B7

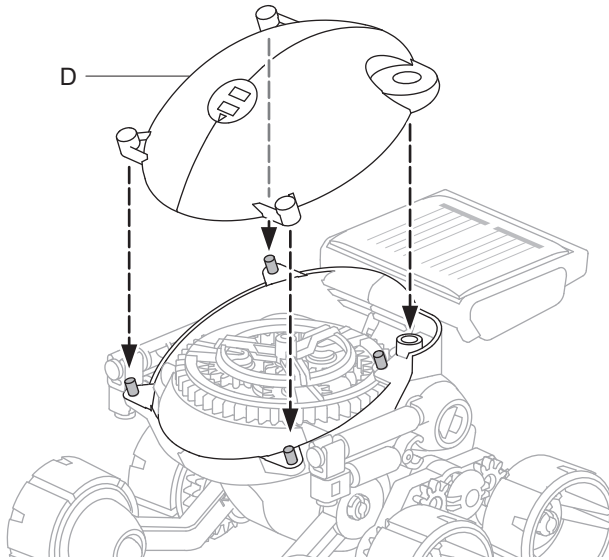


**!** Cut off the burrs before assembly.

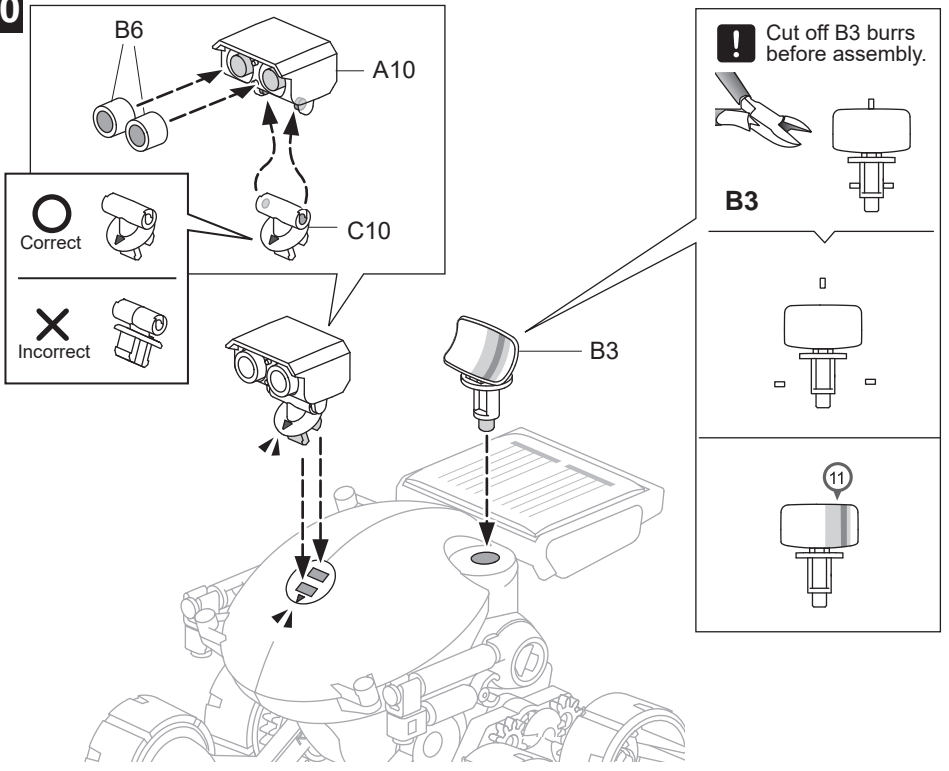
B7



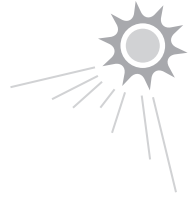
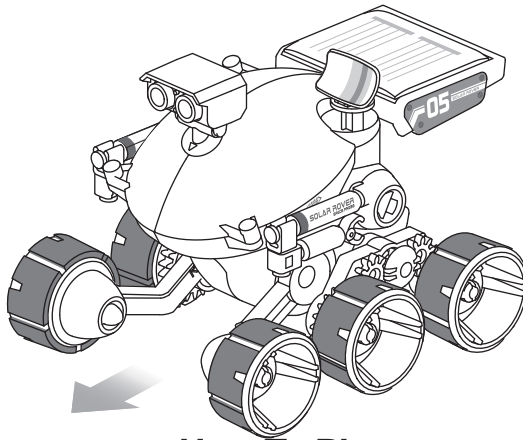
19



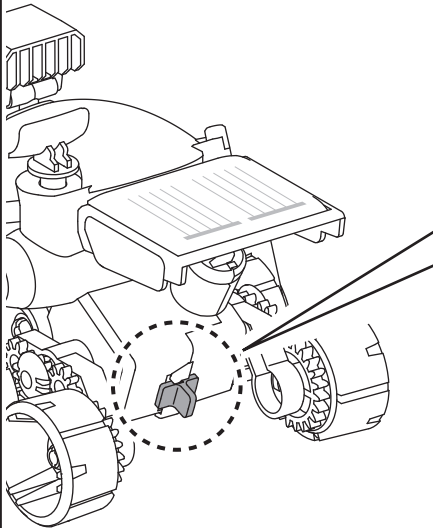
20



## 21 Running



### How To Play



Mode  
1

#### AUTOMATIC MODE

Under direct sunlight, Both Rover and Planetary gears start to run automatically.



Switch to Right

Mode  
2

#### MANUAL MODE

Under direct sunlight, transmission Planetary Gears keep running,

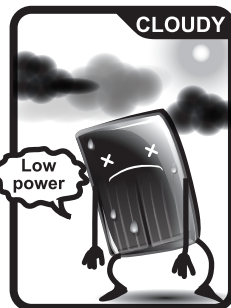
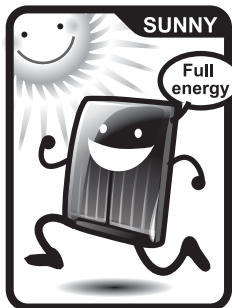


Switch to Left

### TroubleShooting

If it doesnot run smoothly, please check if all burrs are cut thoroughly.

It's time to have some FUN !



1. Take outside under direct sunlight. Best results are obtained when operated on a sunny day.
2. For indoor fun, use a 50 watt halogen light. The product will not run on a cloudy day, shaded locations, indirect sunlight, or under a Fluorescent light.

# SOLAR ROVER



**WARNING :**

CHOKING HAZARD

Small parts

Not for children under  
3 years

