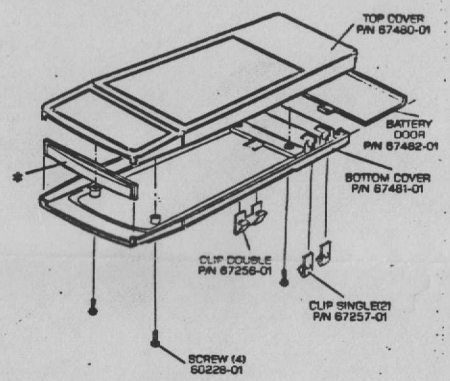
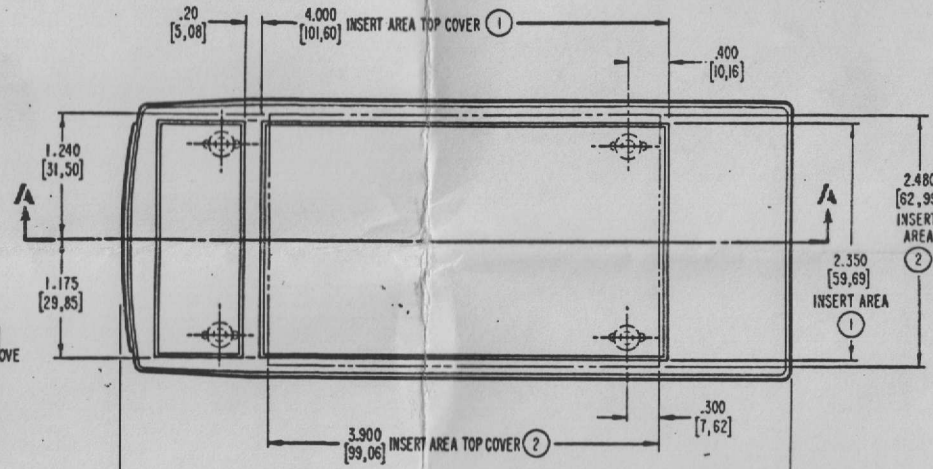
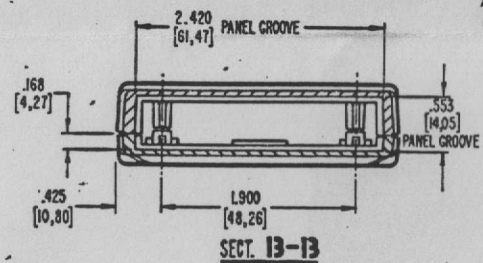
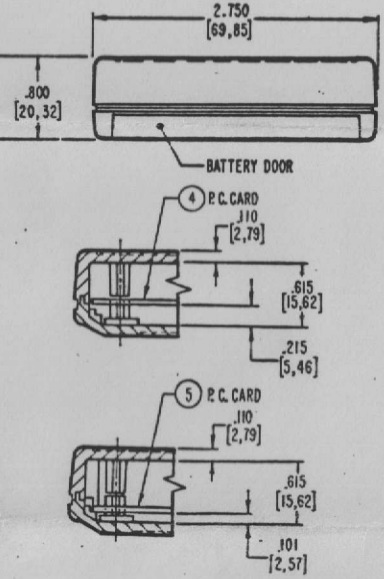
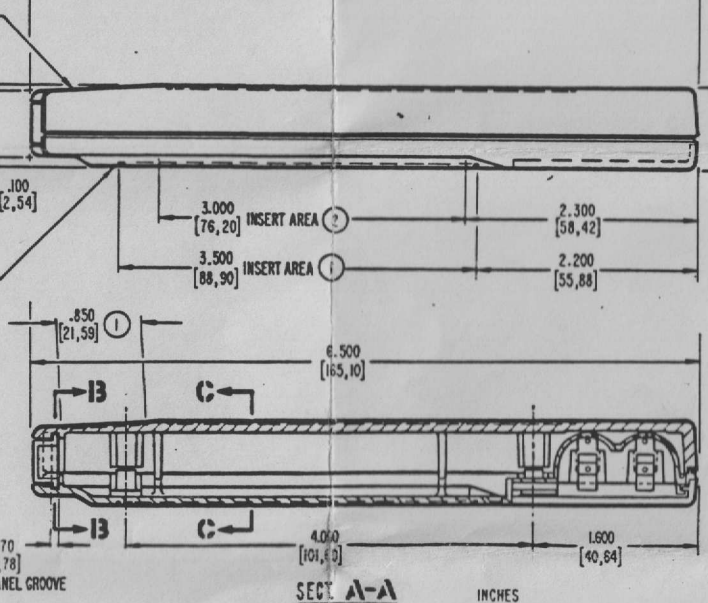
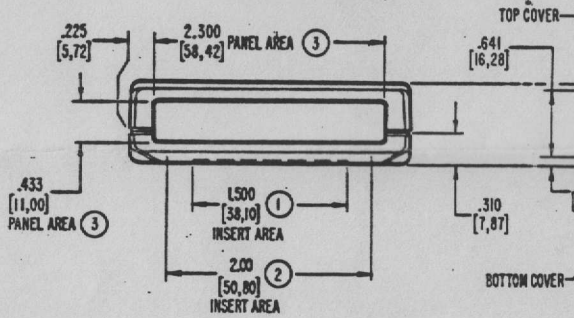


- ① EXTERIOR INSERT AREA, FOR IN MOLD MODIFICATION.
- ② INTERIOR INSERT AREA, FOR IN MOLD MODIFICATION.
- ③ USABLE PANEL AREA.
- ④ P.C. CARD - 4.75 L X 2.40 W X .062 THK.
[120,65] [60,96] [1,57]
- ⑤ P.C. CARD - 4.00 L X 2.36 W X .062 THK.
[101,60] [59,94] [1,57]



- * RUBY LENS PN 67483-01
- BLACK PANEL 67483-02
- PC BONE PANEL 67483-03



INCHES (MM)

PACINTEC®
 MODEL RC
 REMOTE CONTROL
 HOUSING