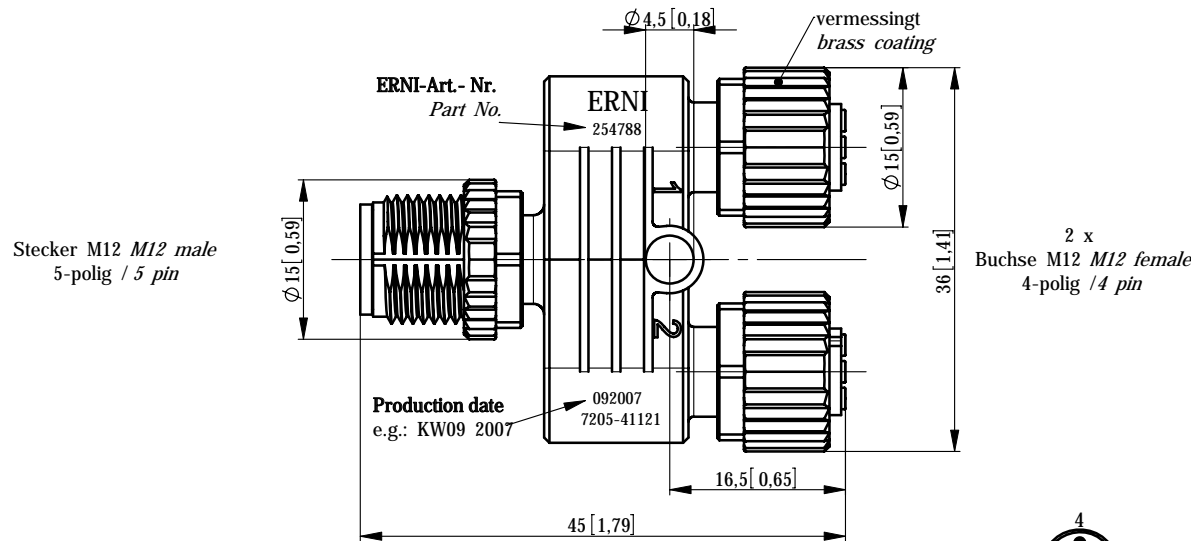


**BAUTEILE / FERTIGUNGSHINWEISE**  
*Piece parts / Manufacturing notices*

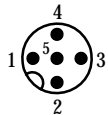
- **Aufdruck mittels Tampondruck entspr. techn. Skizze**  
*Imprint see technical sketch*
- **Gute Chemikalien- und Ölbeständigkeit. Beim Einsatz aggressiver Medien ist die Materialbeständigkeit applikationsbezogen zu überprüfen.**  
*Good chemical and oil resistance. When using aggressive media, material resistance based on application must be checked.*

**TECHNISCHE SKIZZE / Technical sketch**

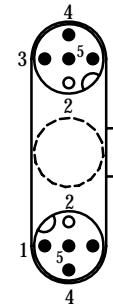


Stecker M12 M12 male  
 5-polig / 5 pin

2 x  
 Buchse M12 M12 female  
 4-polig / 4 pin

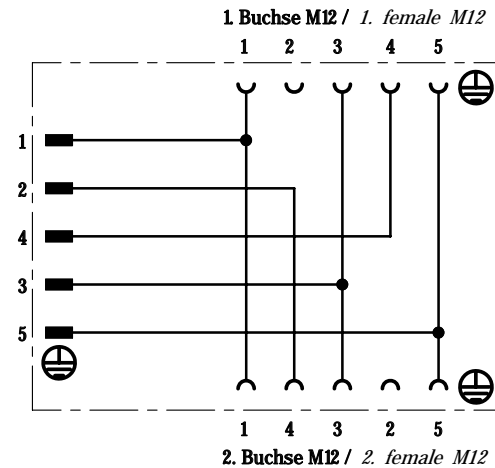


**Ansicht: Steckgesicht; Kontaktbelegung /**  
*View: mating face; pin assignment*



**Stecker M12 /**  
*male M12*

**STROMLAUFPLAN / Schematic diagram**



1. Buchse M12 / 1. female M12

2. Buchse M12 / 2. female M12

Artikel-Nr. / Part No.

**254788**

**SPECIFICATIONS Circular Connector**

Technical Specifications	Standard applic.	Value	Electrical Data	Standard applic.	Value
Type:		T-coupler M12 male - 2 x M12 female, black	Rated (nominal) voltage; max.	IEC 61-076-2-101	125 V AC/DC
Pin assignment:		5 pin / 4 pin	Rated current; per contact, max.	IEC 61-076-2-101	4 A
Coding:		A-coding	Rated impulse voltage	IEC 61-076-2-101	2,5 kV
Connection:		Screw locking M12x1 (0,6 Nm)	<b>Approvals</b>		
Temperature range:		-25...+85°C	Protection class	(mated and locked) IEC 60529	IP67
Packaging:		1 piece per bag	Pollution degree		3
			Insulation category	IEC 60664-1	I
			RoHS compliant		Yes

Materials & Finish	
Contact material:	
a) male	Standard description CuZn39Pb3F50
b) female	Standard description CuNi2Si HV160U
Contact finish, mating zone:	
a) male	Thickness of plating 0,5 µm Au over 2 µm Ni
b) female	Thickness of plating 0,8 µm Au (partial)
Insulation material:	Standard description Elastollan R 3000 A

Copyright by ERNI GmbH  
 Proprietary notice pursuant to ISO 18001 to be observed

Information:	Tolerances		Scale 2:1
All rights reserved. Only for information. To ensure that this is the latest version of this drawing, please contact one of the ERNI companies before using.	Subject to modification without prior notice. Drawing will not be updated.	All Dimensions in mm[in]	Designation <b>CCA M12, 5pin / 2 x M12, 4pin</b> <i>A-coding</i>
	www.ERNI.com	<b>254789</b>	<b>I</b> A3
Index	Date	Class	CCA