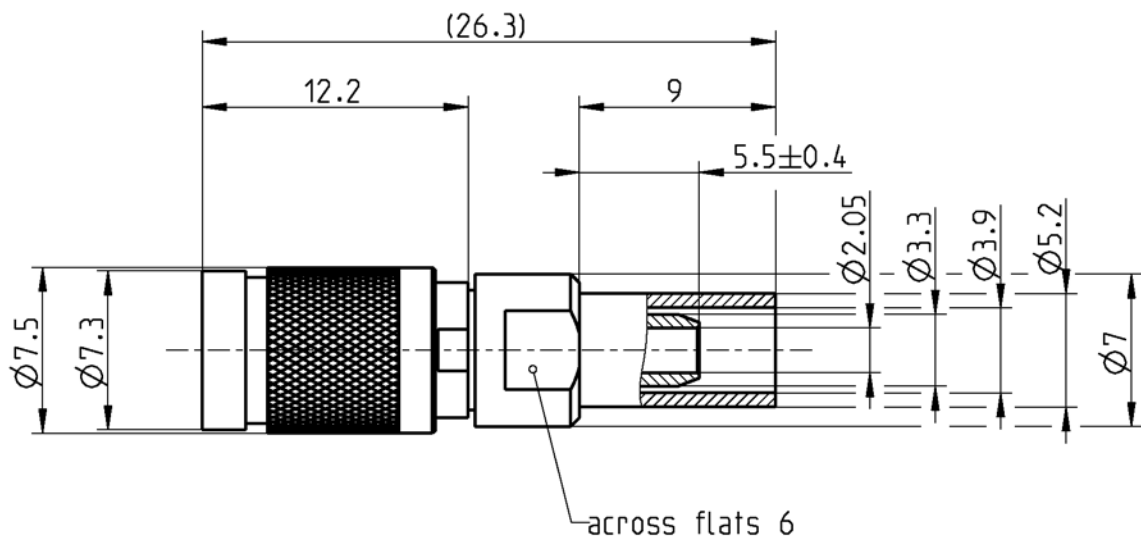


1.0/2.3 STRAIGHT PLUG
(75Ω) QUICK-LOCK

734S160-1V2H3



All dimensions are in mm; tolerances according to ISO 2768 m-H

Interface

According to CECC 22 230, DIN 47297

Documents

Assembly instruction 34 A4

Material and plating

Connector parts

Connector parts	Material	Plating
Center contact	Beryllium copper	Gold, min. 1.27 µm, over nickel
Outer contact	Beryllium copper	Gold, min. 1.27 µm, over nickel
Body	Brass	Nickel, 2.5-5 µm
Dielectric	PTFE	
Centering sleeve	Brass	Nickel, 2.5-5 µm
Crimping ferrule	Copper	Nickel, 2.5-5 µm

1.0/2.3 STRAIGHT PLUG
(75Ω) QUICK-LOCK

734S160-1V2H3

Electrical data

Impedance	75 Ω
Frequency	DC to 2 GHz
Return loss	≥ 20 dB, DC to 2 GHz
Insertion loss	≤ 0.05 x √f(GHz) dB
Insulation resistance	≥ 2x10 ³ MΩ
Center contact resistance	≤ 4 mΩ
Outer contact resistance	≤ 2.5 mΩ
Test voltage	750 V rms
Working voltage	250 V rms
RF-leakage	≥ 90 dB up to 1 GHz

- Limitations are possible due to the used cable type -

Mechanical data

Mating cycles	≥ 500
Center contact captivation	≥ 10 N
Engaging and disengaging force	0.9 N to 10 N
Coupling mechanism retention force	≥ 200 N (screw version, quick-lock)

Environmental data

Temperature range	-40°C to +85°C	
Climatic class	IEC 60068-2-1 40/85/21 IEC 60068-2-2 IEC 60068-2-3	
Vibration	IEC 60068-2-6	10 Hz to 2000 Hz, 100m/s ²

Tooling

Crimping tool	11W150-000
Crimp insert	11W150-450

Suitable cables

02YS(St)CY 0.45/2.0, 02YS(St)CH 0.45/2.0

Packing

Standard	1 pce in bag
Weight	4.9 g/pce

While the information has been carefully compiled to the best of our knowledge, nothing is intended as representation or warranty on our part and no statement herein shall be construed as recommendation to infringe existing patents. In the effort to improve our products, we reserve the right to make changes judged to be necessary.

Draft	Date	Approved	Date	Rev.	Engineering change number	Name	Date
Inge Mühlauer	21/09/04	Rong Fang	16/11/05	b00	05-0567	Inge Mühlauer	16/11/05
Rosenberger Hochfrequenztechnik GmbH & Co. KG P.O.Box 1260 D-84526 Tittmoning Germany www.rosenberger.de					Tel.: +49 8684 18-0 Fax: +49 8684 18-499 email: info@rosenberger.de		Page 2 / 2