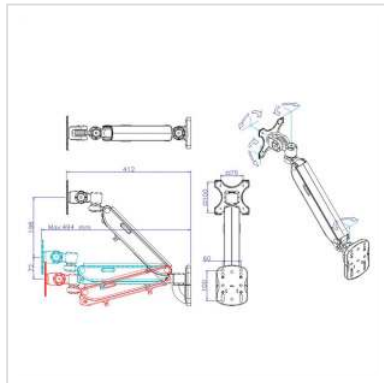


VALUE LCD Monitor Arm Gas Spring, Wall Mount

Product No. 17.99.1128
Manufacturer VALUE
Manufacturer No. 17.99.1128
EAN (single piece) 7611990118397



- LCD monitor wall mount
- Arm length: 490 mm
- Weight capacity: max 4-8 kg
- Meets with VESA 75x75 or 100x100mm
- Monitor can be tilted, swiveled and rotated
- Color: silver
- Monitor can be adjustment: -20° - $+45^{\circ}$
- Arm height adjustment: 270mm

Technical specifications

Manufacturer	VALUE
Product group	LCD-Monitor arms
Product type	Monitor Arms, wall mount
Load capacity	8 kg
Quantity of pivots	5
Fixing	wall mount

Maximal arm length	490 mm
Adjustments	Gas spring
VESA 75 x 75 mm	Yes
VESA 100 x 100 mm	Yes
Technical particularity	cable management