



AZSENCE LED Downlight

LDR / LDS series

Dimmable LED recessed downlights with integrated driver ideal for the complete replacement of the traditional PL-C, PL-T and Halogen downlights. With its revolutionary heat dissipation technology, the AZSENCE series have achieved excellent performance with superb energy efficiency and dependable long life performance.

Direct Replacement

- Easy to install in new or retrofit installations
- Same cutting hole size as traditional fitting
- Fitting complete with flex and plug attached

Quality Finishing

- Plastic casing with embedded aluminium heatsink
- IP44 rating
- Zero glass, mercury, toxic material
- Choice of rims – PC (white glossy / black glossy), Stainless Steel (mirror / spin brushed)



Total Performance

- High efficiency and uniform illumination
- No excessive heat output from LED
- Power factor >0.9
- Dimmable – supported by phase cutting (triac) dimmers

Applications

- Offices, shopping malls, hospitals and commercial areas
- Elegant lighting in reception areas, lobbies, corridors and hotel rooms
- Effective lighting in kitchens, bathrooms and living rooms

Model No.	LDR3H12	LDR412	LDS412	LDR612E
-----------	---------	--------	--------	---------


Electrical Data

Wattage	11W
Voltage	100-240V~, 50/60Hz
Power Factor	>0.9

Photometric Data

Luminous Flux	850lm	800lm
Light Colour	Warm white / Cool white / Day light	
Colour Temperature	3000K / 4000K / 6500K	
CRI	>85	
Beam Angle	112°	110°

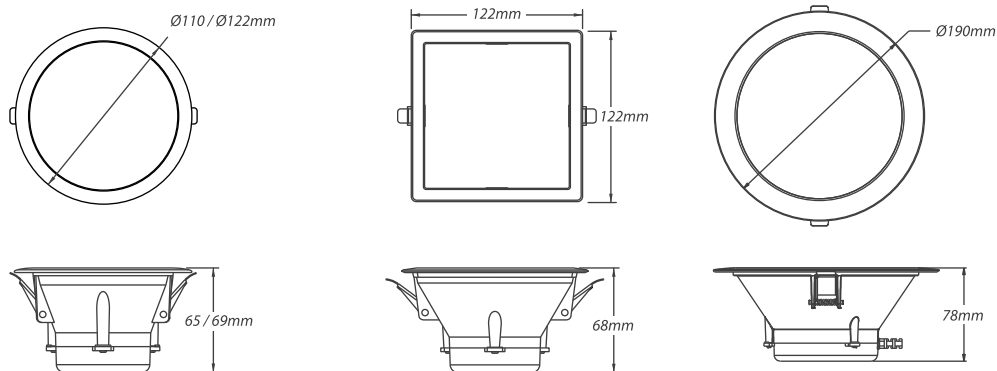
Performance

Lifspan	35,000 hours		
Alternative for	50W Halogen Downlight	18W PLC 4-inch Downlight	18W PLC 6-inch Downlight
Certified			

Dimensions

Weight	130g	140g	160g	280g
Size	3.5-inch Ø110 x 65(H) mm	4-inch Ø122 x 69(H) mm 122(L) x 122(W) x 68(H) mm		6-inch Ø190 x 78(H) mm

Line Drawing



Note: All specifications subject to change without prior notice.

For product enquiries and further information, please contact our sales teams at sales@azelite.com