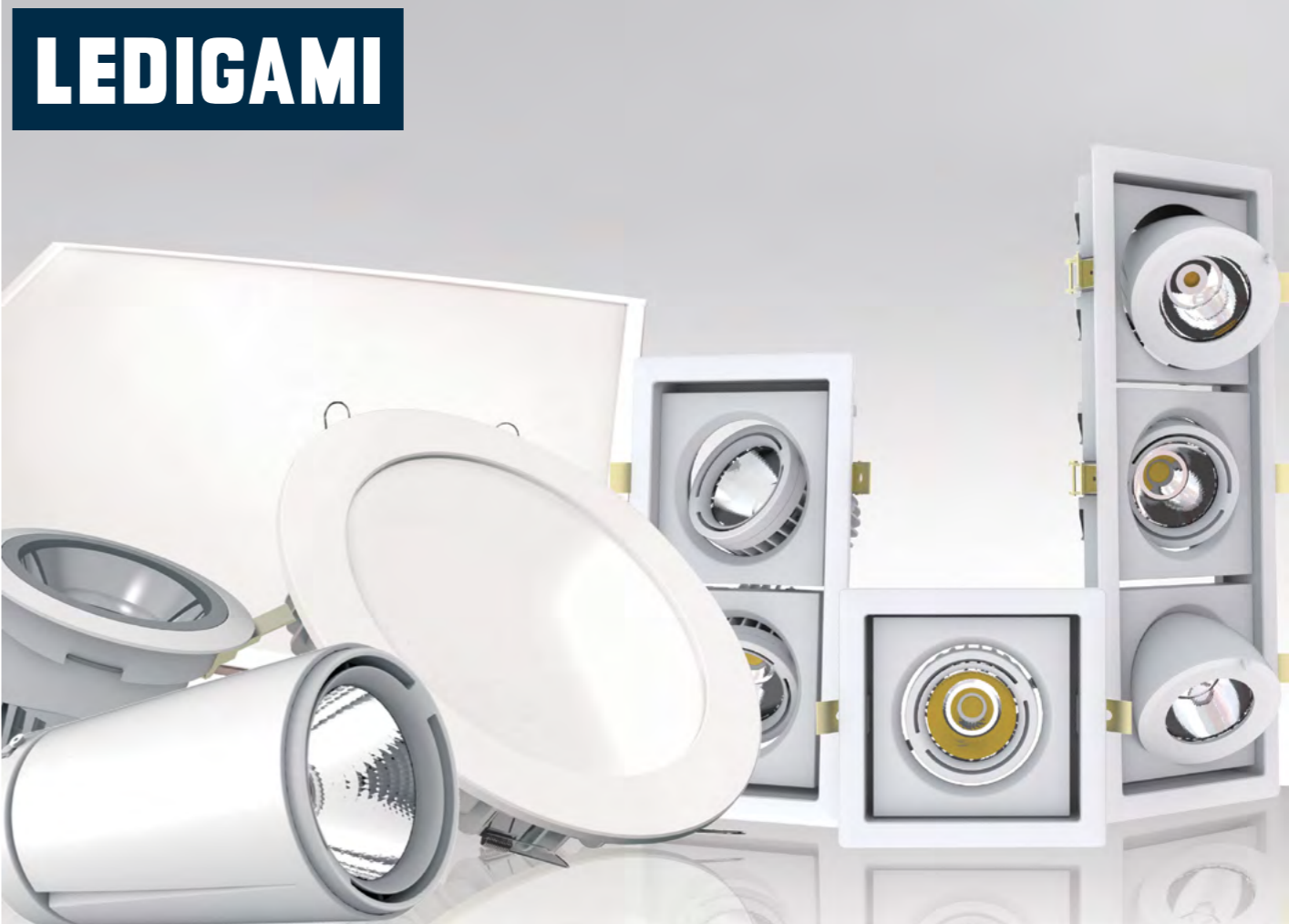


LEDIGAMI



LED LIGHTING
COMMERCIAL AND INDUSTRIAL
PRODUCT RANGE

LEDIGAMI

DISCOVER NEW LIGHT



All technical parameters apply to the entire lamp. In view of the complex manufacturing process for light emitting diodes, the typical values given above for the technical LED parameters are merely statistical values that do not necessarily correspond to the actual technical parameters of an individual product; individual products may vary from the typical values. Modifications and errors reserved.

Version 07, 2016

A TECHNOLOGICAL BREAKTHROUGH

LEDIGAMI Industrial and Commercial Lighting LED products feature great design, functionality and very good light characteristics such as light distribution and colour rendering. High lumen versions of all our popular products will light your way in the most demanding spaces.

The numerous advantages of our products secure long lasting benefits that traditional technology and common design cannot facilitate.

In addition, our LED industrial and commercial lightings ensure economic and ecologic advantages that are without equal. Longevity and build quality are a standard that further promotes the sustainability of our products.

Say goodbye to outdated LED products and step into the LEDIGAMI world of light that offers you very convincing advantages.



INDEX

Model	Page
LED HIGH BAY RONDO	6
LED HIGH BAY RONDO F	8
LED STREET FLUX E	10
LED STREET FLUX MINI	12
LED DOWNLIGHT LOGIC	16
LED DOWNLIGHT CLEVER	18
LED DOWNLIGHT CLEVER MINI	20
LED DOWNLIGHT ICEBERG	22
LED DOWNLIGHT ANLUX	24
LED DOWNLIGHT ANLUX MINI	26
LED DOWNLIGHT TORPÉ	30
LED DOWNLIGHT WELLUX	32
LED DOWNLIGHT MODUX	34
LED DOWNLIGHT BELLUX	38
LED DOWNLIGHT HALLUX (F SERIES)	40
LED LINEAR DOWNLIGHT GALAXUS	44
LED TRACKLIGHT SMART	46
LED TRACKLIGHT SMART MINI	48
LED FLATLIGHT PANEL LATUS P	50

TECHNICAL DETAILS

System Power	CCT	Beam Angle	Light Output	CRI	IP Rating	Voltage	Reflector Type	Art.-No.
100 W	3000 K	40°	7000 lm	80	65	100-240 V	12" Aluminium	T9-HB1-CA-44311T
100 W	4000 K	40°	9000 lm	75	65	100-240 V	12" Aluminium	T9-HB1-CA-44321T
100 W	5300 K	40°	10000 lm	70	65	100-240 V	12" Aluminium	T9-HB1-CA-44341T
100 W	3000 K	65°	7000 lm	80	65	100-240 V	12" Aluminium	T9-HB1-CA-44B11T
100 W	4000 K	65°	9000 lm	75	65	100-240 V	12" Aluminium	T9-HB1-CA-44B21T
100 W	5300 K	65°	10000 lm	70	65	100-240 V	12" Aluminium	T9-HB1-CA-44B41T
150 W	3000 K	40°	11000 lm	80	65	100-240 V	12" Aluminium	T9-HB1-HA-44311T
150 W	4000 K	40°	13000 lm	75	65	100-240 V	12" Aluminium	T9-HB1-HA-44321T
150 W	6000 K	40°	14500 lm	70	65	100-240 V	12" Aluminium	T9-HB1-HA-44331T
150 W	3000 K	60°	11000 lm	80	65	100-240 V	12" Aluminium	T9-HB1-HA-44411T
150 W	4000 K	60°	13000 lm	75	65	100-240 V	12" Aluminium	T9-HB1-HA-44421T
150 W	6000 K	60°	14500 lm	70	65	100-240 V	12" Aluminium	T9-HB1-HA-44431T
150 W	3000 K	70°	8900 lm	80	20	100-240 V	12" Polycarbonate	T9-HB1-HB-44511T
150 W	4000 K	70°	10800 lm	75	20	100-240 V	12" Polycarbonate	T9-HB1-HB-44521T
150 W	6000 K	70°	12000 lm	70	20	100-240 V	12" Polycarbonate	T9-HB1-HB-44531T

LED HIGH BAY RONDO

LEDIGAMI Rondo is ideally suited for lighting indoor spaces such as factories, assembly areas, food processing plants and any other large spaces that needs high brightness and superior light quality. 150W and 100W Rondo make a better solution for low/high ceiling applications.

The 12" Aluminium reflectors designed for high efficiency and excellent uniformity whereas the 12" polycarbonate material protects against accumulation of dirt and emphasizes on downward efficiency.



LED HIGH BAY RONDO, AL Reflector

LED HIGH BAY RONDO, PC Reflector

FEATURES

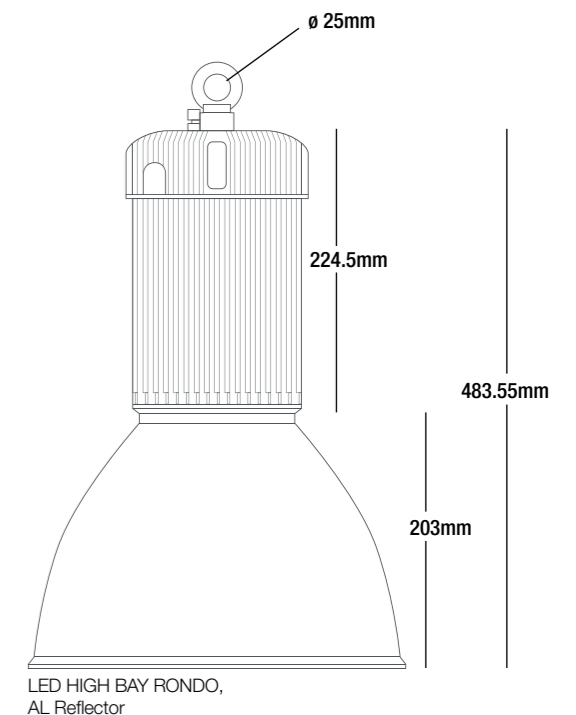
- System Power : 100W & 150W
- Beam Angle : 40°, 60°, 65° & 70°
- CCT : 3000K, 4000K, 5300K & 6000K
- IP Rating : IP20 & IP65
- Power Factor : >0.95
- Reflector : Aluminium & Polycarbonate

HIGHLIGHTS

- Up to 65% reduction in power consumption
- Average rated lifespan of 50,000 hours
- 20,000 times of switching cycle
- Energy Saving
- Low maintenance costs by reducing re-lamp frequency
- Universal voltage
- Environmental friendly – free of mercury and hazardous materials
- Instant-On Light
- CE, RoHS, and CCC¹ certified

APPLICATIONS

- Commercial & Industrial



LED HIGH BAY RONDO, AL Reflector

Note :
 1. LED is a dynamic and constantly evolving technology. The final lux output of LED High Bay Rondo may vary.
 2. Angle has ± 5° tolerance.
 3. Flux is measured with an accuracy of ± 10% and will reduce 10% under thermal balance condition.
 4. Electrical and optical performance is ± 10%.
 5. LED High Bay Rondo comes with a built in driver.
 6. Operating temperature = Ta-20°C → 40°C.

¹ CCC=100W (application of CCC certificate is in progress)
 * The photometric data were measured at initial state (Ta= 25°C)
 * Tolerance for dimensions = ±2.5mm

LED STREET FLUX E

TECHNICAL DETAILS

System Power	CCT	Light Output	Lens	CRI	Dimension (L x W x H mm)	Body Color	Weight	Art.-No.
40 W	4000 K	4000 lm	◆	70	564 x 340 x 146mm	Silver	8.5 kg	T4-STF-CM-79U5BC
60 W	4000 K	5700 lm	◆	70	564 x 340 x 146mm	Silver	8.5 kg	T4-STF-EM-79U5BC
90 W	4000 K	8550 lm	◆	70	653 x 340 x 146mm	Silver	9.6 kg	T4-STF-IM-79U5BC
120 W	4000 K	11400 lm	◆	70	742 x 340 x 146mm	Silver	10.2 kg	T4-STF-FM-79U5BC
150 W	4000 K	14250 lm	◆	70	831 x 340 x 146mm	Silver	11.2 kg	T4-STF-JM-79U5BC
180 W	4000 K	17100 lm	◆	70	920 x 340 x 146mm	Silver	12.6 kg	T4-STF-KM-79U5BC

◆ UV Resistance & Flame Retardant Polycarbonate

LEDIGAMI Street Flux E uniqueness lies in its modular concept, that facilitates easy maintenance and also possible future upgrade when better performance LED is made available. Street Flux E plays a role in ensuring optimum energy saving. In addition of harnessing the LED benefits, it can also be incorporated with sensor based driver, which ensure maximum energy saving and not neglecting the brightness required.



LED Street Flux E

The durable aluminium housing coupled with industrial standard power coating enables Street Flux E to withstand any harsh environment with ease .

FEATURES

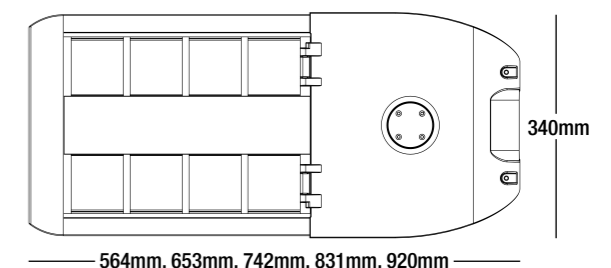
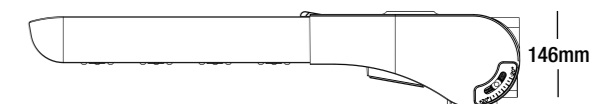
- System Power : 40W, 60W, 90W, 120W, 150W & 180W
- Lens Material : UV Resistance & Flame Retardant Polycarbonate
- CRI : 70
- IP Rating : IP65
- Built-in photo sensor (optional)
- Built-in motion sensor (optional)

HIGHLIGHTS

- High performance LED
- Other color temperature (CCT) available
- Average rated lifespan of 50,000 hours
- Maintenance Friendly
- Modular Concept – LED Engine
- Using 6063-T5 aluminium alloy for efficient heat dissipation
- Optical grade, UV resistant and flame retardant polycarbonate
- Waterproof design, prevent leakage
- CE and RoHS certified

APPLICATIONS

- Highway, Municipal Lighting, Industrial Areas



Note :
 1. LED is a dynamic and constantly evolving technology. The final lux output of LED Street Flux E may vary.
 2. LED Street Flux E comes with an internal driver.
 3. The total system power consumption is 10% tolerance under 100-230V input voltage.
 4. Operating temperature =Ta-30°C → +35°C.

* The photometric data were measured at initial state (Ta= 25°C)
 * Tolerance for dimensions = ±2.5mm

LED STREET FLUX MINI

TECHNICAL DETAILS

System Power	CCT	Beam Angle	Light Output	CRI	Power Factor	Body Color	Weight	Art.-No.
20 W	4000 K	70° x 150°	2330 lm	80	0.9	White	3.2 kg	L4-STM-BN-11C56C
30 W	4000 K	70° x 150°	3410 lm	80	0.9	White	3.2 kg	L4-STM-DN-11C56C
40 W	4000 K	70° x 150°	4320 lm	80	0.9	White	3.2 kg	L4-STM-CN-12C56C
50 W	4000 K	70° x 150°	5386 lm	80	0.9	White	3.2 kg	L4-STM-LN-12C56C

STREET FLUX MINI is small and weighing only 3.2kg each, comes with an outstanding performance. High lumen efficacy and long lifespan, MINI is highly cost effective too. Offer white in colour with die-cast aluminum fixture, this lamp has excellent texture, appearance and performance.



LED Street Flux Mini

MINI can be installed in parks, parking areas, gardens and roadways.

FEATURES

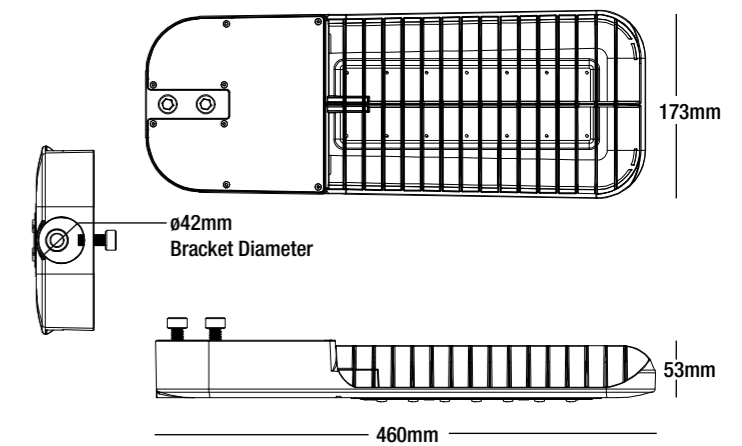
- System Power : 20W, 30W, 40W & 50W
- Lens : 70°x150°
- CRI : 80
- IP Rating : IP66

HIGHLIGHTS

- High performance LED
- Other color temperature (CCT) available
- Average rated lifespan of 50,000 hours
- Maintenance Friendly
- Instant-on light
- Easy installation
- Waterproof design, prevent leakage
- CE and RoHS certified

APPLICATIONS

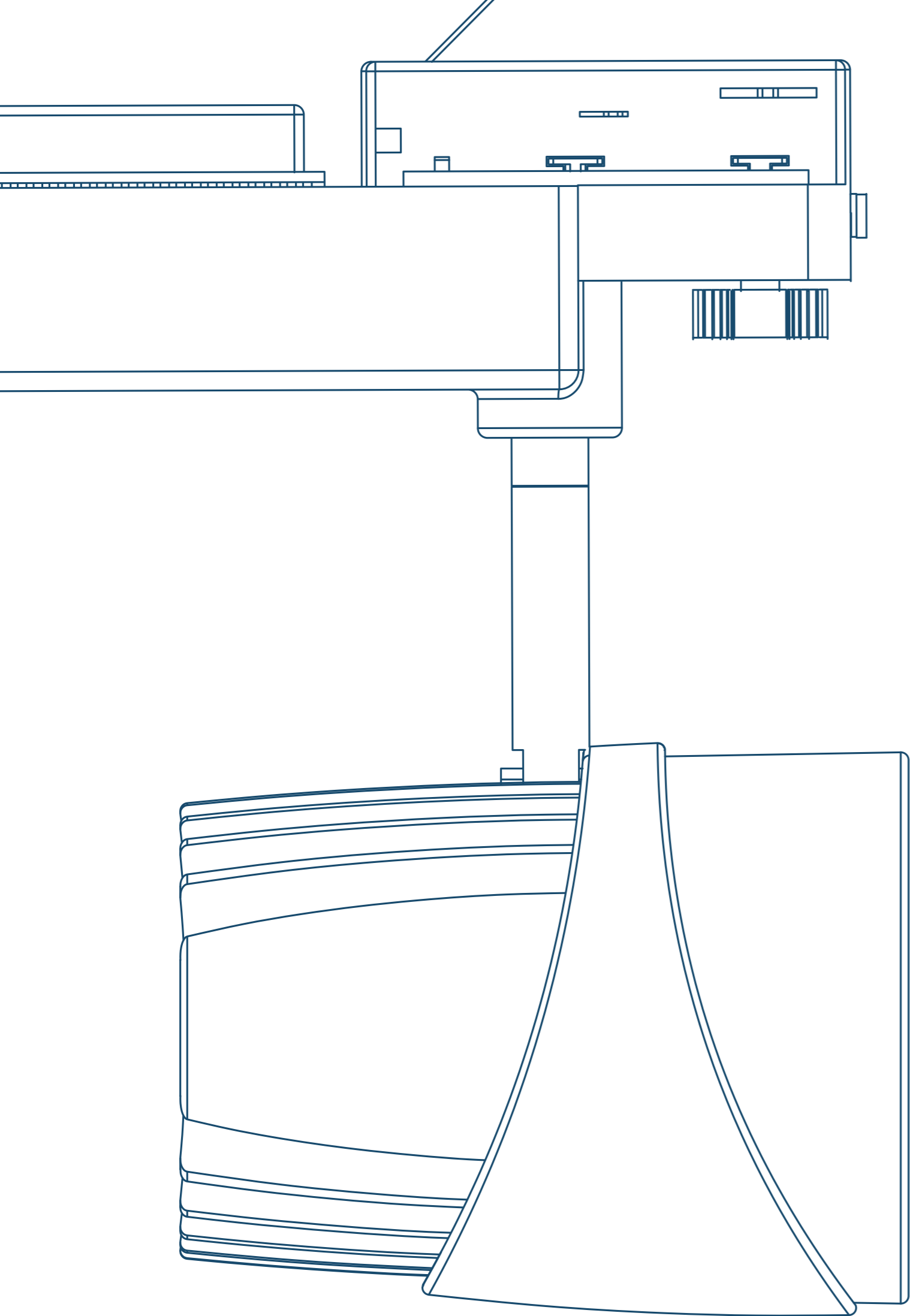
- Sidewalk, Shopping Mall, Park, Plaza



Note :
 1. LED is a dynamic and constantly evolving technology. The final lux output of LED Street Flux Mini may vary.
 2. LED Street Flux Mini comes with an internal driver.
 3. The total system power consumption is 10% tolerance under 100-230V input voltage.
 4. Operating temperature =Ta-40°C → 50°C.

* The photometric data were measured at initial state (Ta= 25°C)
 * Tolerance for dimensions = ±2.5mm

LEDIGAMI



Model	Page
LED DOWNLIGHT LOGIC	16
LED DOWNLIGHT CLEVER	18
LED DOWNLIGHT CLEVER MINI	20
LED DOWNLIGHT ICEBERG	22
LED DOWNLIGHT ANLUX	24
LED DOWNLIGHT ANLUX MINI	26
LED DOWNLIGHT TORPÉ	30
LED DOWNLIGHT WELLUX	32
LED DOWNLIGHT MODUX	34
LED DOWNLIGHT BELLUX	38
LED DOWNLIGHT HALLUX (F SERIES)	40
LED LINEAR DOWNLIGHT GALAXUS	44
LED TRACKLIGHT SMART	46
LED TRACKLIGHT SMART MINI	48
LED FLATLIGHT PANEL LATUS P	50

LED DOWNLIGHT LOGIC

TECHNICAL DETAILS

System Power	CCT	Beam Angle	Light Output	Optics	CRI	Power Factor	Voltage	Outer Dimensions	Art.-No.
8.8 W	3000 K	100°	595 lm	■	80	0.9	100-240 V	150mm	T8-DL3-IG-27F31M
8.8 W	4000 K	100°	630 lm	■	80	0.9	100-240 V	150mm	T8-DL3-IG-27F51M
8.8 W	6000 K	100°	630 lm	■	80	0.9	100-240 V	150mm	T8-DL3-IG-27F91M
15 W	3000 K	100°	1020 lm	■	80	0.9	100-240 V	170mm	T8-DL3-JB-28F31M
15 W	4000 K	100°	1080 lm	■	80	0.9	100-240 V	170mm	T8-DL3-JB-28F51M
15 W	6000 K	100°	1080 lm	■	80	0.9	100-240 V	170mm	T8-DL3-JB-28F91M
19.5 W	3000 K	100°	1360 lm	■	80	0.9	100-240 V	210mm	T8-DL3-KH-29F31M
19.5 W	4000 K	100°	1440 lm	■	80	0.9	100-240 V	210mm	T8-DL3-KH-29F51M
19.5 W	6000 K	100°	1440 lm	■	80	0.9	100-240 V	210mm	T8-DL3-KH-29F91M
28 W	3000 K	100°	2040 lm	■	80	0.9	100-240 V	250mm	T8-DL3-EI-30F31M
28 W	4000 K	100°	2160 lm	■	80	0.9	100-240 V	250mm	T8-DL3-EI-30F51M
28 W	6000 K	100°	2160 lm	■	80	0.9	100-240 V	250mm	T8-DL3-EI-30F91M

■ Frost

LEDIGAMI LED Downlight Logic delivers high performance, critical energy savings and a better quality of light. Providing control over the perfect ambience, LED Downlight Logic has a broad portfolio with CCT from 3000K, 4000K, and 6000K with the minimum of 80 CRI.

LED Downlight Logic comes in 4 outer dimensions to suit customers with different needs. With the designated shallow mounting depth and the compatibility with standard suspended ceilings, it shortens the installation process. It is suitable for both commercial and residential applications, and it will give you the optimal lighting effect.



LED DOWNLIGHT LOGIC

FEATURES

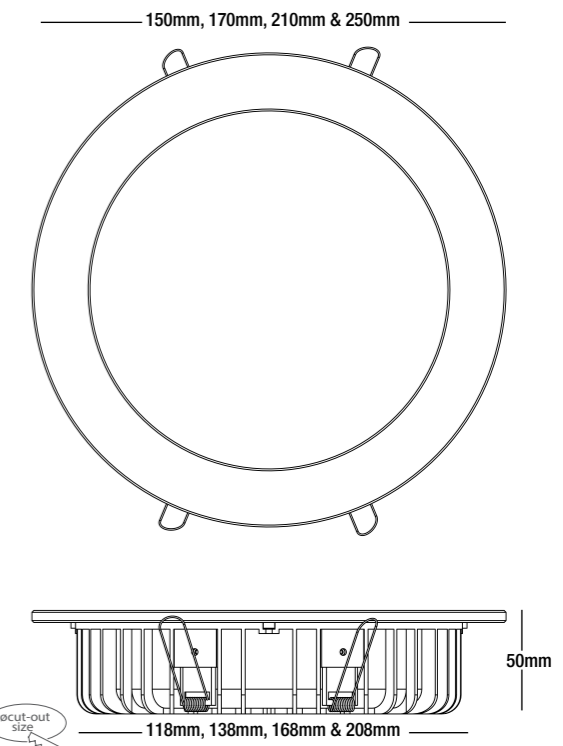
- System Power : 8.8W, 15W 19.5W & 28 W
- Beam Angle : 100°
- CCT : 3000K , 4000K & 6000K
- CRI : 80
- Power Factor : 0.9

HIGHLIGHTS

- Slim versions available
- Average rated lifespan of 50,000 hours
- Environmental friendly – free of mercury and hazardous materials
- CE and RoHS certified

APPLICATIONS

- Corridors, Retail, Hotels



* The system power is based on the driver power supply APC series
 * The photometric data were measured at initial state (Ta= 25°C)
 * Tolerance for dimensions = ±2.5mm

Note :
 1. All measurement datas are subjected to 10% tolerance due to measurement equipment tolerance and accuracy.
 2. LED is a dynamic and constantly evolving technology. The final lux output of LED Downlight Logic may vary.
 3. LED Downlight Logic needs to connect with an external driver.
 4. The total system power consumption is with 10% tolerance under 100-240V input voltage.
 5. Operating temperature =Ta-20°C → + 40°C.

LED DOWNLIGHT CLEVER

TECHNICAL DETAILS

System Power	CCT	Beam Angle	Light Output	CRI	Power Factor	Voltage	Body Color	Art.-No.
45 W	3000 K	25°	3500 lm	80	0.95	100-240 V	Black	T2-CLE-2T-81AP6T
45 W	4000 K	25°	3500 lm	80	0.95	100-240 V	Black	T2-CLE-2T-81A26T
45 W	6000 K	25°	3500 lm	80	0.95	100-240 V	Black	T2-CLE-2T-81AG6T
45 W	3000 K	45°	3500 lm	80	0.95	100-240 V	Black	T2-CLE-2T-81AZ6T
45 W	4000 K	45°	3500 lm	80	0.95	100-240 V	Black	T2-CLE-2T-81A66T
45 W	6000 K	45°	3500 lm	80	0.95	100-240 V	Black	T2-CLE-2T-81AH6T
45 W	3000 K	25°	3500 lm	80	0.95	100-240 V	White	T2-CLE-2T-81BP6T
45 W	4000 K	25°	3500 lm	80	0.95	100-240 V	White	T2-CLE-2T-81B26T
45 W	6000 K	25°	3500 lm	80	0.95	100-240 V	White	T2-CLE-2T-81BG6T
45 W	3000 K	45°	3500 lm	80	0.95	100-240 V	White	T2-CLE-2T-81B26T
45 W	4000 K	45°	3500 lm	80	0.95	100-240 V	White	T2-CLE-2T-81B66T
45 W	6000 K	45°	3500 lm	80	0.95	100-240 V	White	T2-CLE-2T-81BH6T
45 W	3000 K	25°	3000 lm	90	0.9	100-240 V	Black	T2-CLE-2T-81AP7T
45 W	4000 K	25°	3000 lm	90	0.9	100-240 V	Black	T2-CLE-2T-81A27T
45 W	6000 K	25°	3000 lm	90	0.9	100-240 V	Black	T2-CLE-2T-81AG7T
45 W	3000 K	45°	3000 lm	90	0.9	100-240 V	Black	T2-CLE-2T-81AZ7T
45 W	4000 K	45°	3000 lm	90	0.9	100-240 V	Black	T2-CLE-2T-81A67T
45 W	6000 K	45°	3000 lm	90	0.9	100-240 V	Black	T2-CLE-2T-81AH7T
45 W	3000 K	25°	3000 lm	90	0.9	100-240 V	White	T2-CLE-2T-81BP7T
45 W	4000 K	25°	3000 lm	90	0.9	100-240 V	White	T2-CLE-2T-81B27T
45 W	6000 K	25°	3000 lm	90	0.9	100-240 V	White	T2-CLE-2T-81BG7T
45 W	3000 K	45°	3000 lm	90	0.9	100-240 V	White	T2-CLE-2T-81B27T
45 W	4000 K	45°	3000 lm	90	0.9	100-240 V	White	T2-CLE-2T-81B67T
45 W	6000 K	45°	3000 lm	90	0.9	100-240 V	White	T2-CLE-2T-81BH7T

LEDIGAMI LED Downlight Clever has a unique design that will help to ease the installation process. It comes with beam angle of 25° & 45° and it can lighten the area according to the preferred lighting space. This Downlight comes in a selection of black and white and provide a signature look to any applications.



LED DOWNLIGHT CLEVER

FEATURES

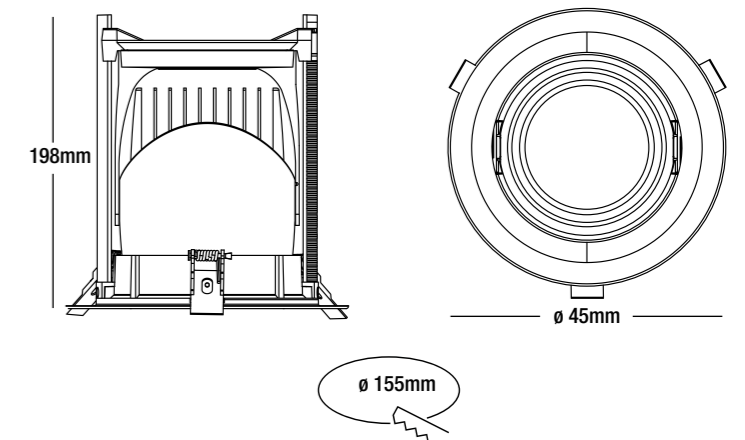
- System Power : 45W
- Beam Angle : 25° & 45°
- CCT : 3000K, 4000K & 6000K
- CRI : 80 & 90
- Color Available : White & Black
- IP rating : IP20

HIGHLIGHTS

- 80% energy saving compared to traditional light sources
- Average rated lifespan of 35,000 hours
- Low maintenance costs by reducing re-lamp frequency
- Environmental friendly – free of mercury and hazardous
- Instant-On Light
- CE & RoHS certified

APPLICATIONS

- Home, Office, Commercial



Note :
 1. LED is a dynamic and constantly evolving technology. The final lux output of 45W LED Downlight Clever may vary.
 2. LED Downlight Clever needs to connect with an external driver.
 3. The total system power consumption is 45W with 10% tolerance under 100-240V input voltage.
 4. Operating temperature =Ta-20°C → + 40°C.

* The photometric data were measured at initial state (Ta= 25°C)
 * Tolerance for dimensions = ±2.5mm

LED DOWNLIGHT CLEVER MINI

TECHNICAL DETAILS

System Power	CCT	Beam Angle	Light Output	CRI	Power Factor	Voltage	Body Color	Art.-No.
30 W	3000 K	15°	2350 lm	80	0.9	100-240 V	White	T2-CLM-KR-82BX6T
30 W	4000 K	15°	2350 lm	80	0.9	100-240 V	White	T2-CLM-KR-82B06T
30 W	5700 K	15°	2350 lm	80	0.9	100-240 V	White	T2-CLM-KR-82BF6T
30 W	3000 K	25°	2350 lm	80	0.9	100-240 V	White	T2-CLM-LR-82BX6T
30 W	4000 K	25°	2350 lm	80	0.9	100-240 V	White	T2-CLM-LR-82B06T
30 W	5700 K	25°	2350 lm	80	0.9	100-240 V	White	T2-CLM-LR-82BF6T
30 W	3000 K	38°	2350 lm	80	0.9	100-240 V	White	T2-CLM-MR-82BX6T
30 W	4000 K	38°	2350 lm	80	0.9	100-240 V	White	T2-CLM-MR-82B06T
30 W	5700 K	38°	2350 lm	80	0.9	100-240 V	White	T2-CLM-MR-82BF6T
30 W	3000 K	15°	2350 lm	80	0.9	100-240 V	Black	T2-CLM-KR-82AX6T
30 W	4000 K	15°	2350 lm	80	0.9	100-240 V	Black	T2-CLM-KR-82A06T
30 W	5700 K	15°	2350 lm	80	0.9	100-240 V	Black	T2-CLM-KR-82AF6T
30 W	3000 K	25°	2350 lm	80	0.9	100-240 V	Black	T2-CLM-LR-82AX6T
30 W	4000 K	25°	2350 lm	80	0.9	100-240 V	Black	T2-CLM-LR-82A06T
30 W	5700 K	25°	2350 lm	80	0.9	100-240 V	Black	T2-CLM-LR-82AF6T
30 W	3000 K	38°	2350 lm	80	0.9	100-240 V	Black	T2-CLM-MR-82AX6T
30 W	4000 K	38°	2350 lm	80	0.9	100-240 V	Black	T2-CLM-MR-82A06T
30 W	5700 K	38°	2350 lm	80	0.9	100-240 V	Black	T2-CLM-MR-82AF6T
30 W	3000 K	15°	1880 lm	90	0.9	100-240 V	White	T2-CLM-KR-82BX7T
30 W	4000 K	15°	1880 lm	90	0.9	100-240 V	White	T2-CLM-KR-82B07T
30 W	5700 K	15°	1880 lm	90	0.9	100-240 V	White	T2-CLM-KR-82BF7T
30 W	3000 K	25°	1880 lm	90	0.9	100-240 V	White	T2-CLM-LR-82BX7T
30 W	4000 K	25°	1880 lm	90	0.9	100-240 V	White	T2-CLM-LR-82B07T
30 W	5700 K	25°	1880 lm	90	0.9	100-240 V	White	T2-CLM-LR-82BF7T
30 W	3000 K	38°	1880 lm	90	0.9	100-240 V	White	T2-CLM-MR-82BX7T
30 W	4000 K	38°	1880 lm	90	0.9	100-240 V	White	T2-CLM-MR-82B07T
30 W	5700 K	38°	1880 lm	90	0.9	100-240 V	White	T2-CLM-MR-82BF7T
30 W	3000 K	15°	1880 lm	90	0.9	100-240 V	Black	T2-CLM-KR-82AX7T
30 W	4000 K	15°	1880 lm	90	0.9	100-240 V	Black	T2-CLM-KR-82A07T
30 W	5700 K	15°	1880 lm	90	0.9	100-240 V	Black	T2-CLM-KR-82AF7T
30 W	3000 K	25°	1880 lm	90	0.9	100-240 V	Black	T2-CLM-LR-82AX7T
30 W	4000 K	25°	1880 lm	90	0.9	100-240 V	Black	T2-CLM-LR-82A07T
30 W	5700 K	25°	1880 lm	90	0.9	100-240 V	Black	T2-CLM-LR-82AF7T
30 W	3000 K	38°	1880 lm	90	0.9	100-240 V	Black	T2-CLM-MR-82AX7T
30 W	4000 K	38°	1880 lm	90	0.9	100-240 V	Black	T2-CLM-MR-82A07T
30 W	5700 K	38°	1880 lm	90	0.9	100-240 V	Black	T2-CLM-MR-82AF7T

LEDIGAMI LED Downlight Clever Mini offers 30W with 3 different beam angles and colour temperature. It is used to lighten up a specific area in the applications for hotels, restaurants and shopping malls.



LED DOWNLIGHT CLEVER MINI

FEATURES

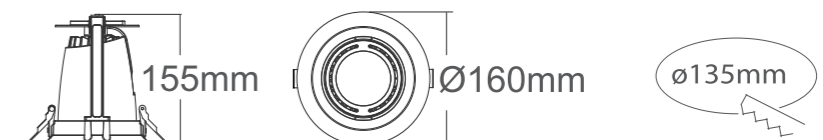
- System Power : 30W
- Beam Angle : 15°, 25° & 38°
- CCT : 3000K, 4000K & 5700K
- CRI : 80 & 90
- Color Available : White & Black
- IP rating : IP20
- Power Factor : 0.9

HIGHLIGHTS

- Easy Installation
- 80% energy saving compared to traditional light sources
- Average rated lifespan of 35,000 hours
- Environmental friendly - free of mercury and hazardous
- Instant-On Light
- CE and RoHS certified

APPLICATIONS

- Home, Office, Commercial



Note :

1. LED is a dynamic and constantly evolving technology. The final lux output of LED Downlight Clever Mini may vary.
2. LED Downlight Clever Mini needs to connect with an external driver.
3. The total system power consumption is 30W with 10% tolerance under 100-240V input voltage.
4. Operating temperature =Ta-20°C → + 40°C.

* The photometric data were measured at initial state (Ta= 25°C)
* Tolerance for dimensions = ±2.5mm

LED DOWNLIGHT ICEBERG

TECHNICAL DETAILS

System Power	CCT	Beam Angle	Light Output	CRI	Power Factor	Voltage	Body Color	Art.-No.
15 W	3000 K	25°	1000 lm	80	0.9	100-240 V	White	T2-ICE-PF-86BX6T
15 W	4000 K	25°	1000 lm	80	0.9	100-240 V	White	T2-ICE-PF-86B06T
15 W	5700 K	25°	1000 lm	80	0.9	100-240 V	White	T2-ICE-PF-86BF6T
15 W	3000 K	38°	1000 lm	80	0.9	100-240 V	White	T2-ICE-QF-86BX6T
15 W	4000 K	38°	1000 lm	80	0.9	100-240 V	White	T2-ICE-QF-86B06T
15 W	5700 K	38°	1000 lm	80	0.9	100-240 V	White	T2-ICE-QF-86BF6T
15 W	3000 K	25°	1000 lm	80	0.9	100-240 V	Black	T2-ICE-PF-86AX6T
15 W	4000 K	25°	1000 lm	80	0.9	100-240 V	Black	T2-ICE-PF-86A06T
15 W	5700 K	25°	1000 lm	80	0.9	100-240 V	Black	T2-ICE-PF-86AF6T
15 W	3000 K	38°	1000 lm	80	0.9	100-240 V	Black	T2-ICE-QF-86AX6T
15 W	4000 K	38°	1000 lm	80	0.9	100-240 V	Black	T2-ICE-QF-86A06T
15 W	5700 K	38°	1000 lm	80	0.9	100-240 V	Black	T2-ICE-QF-86AF6T
30 W	3000 K	25°	2350 lm	80	0.9	100-240 V	White	T2-ICE-LF-85BX6T
30 W	4000 K	25°	2350 lm	80	0.9	100-240 V	White	T2-ICE-LF-85B06T
30 W	5700 K	25°	2350 lm	80	0.9	100-240 V	White	T2-ICE-LF-85BF6T
30 W	3000 K	38°	2350 lm	80	0.9	100-240 V	White	T2-ICE-MF-85BX6T
30 W	4000 K	38°	2350 lm	80	0.9	100-240 V	White	T2-ICE-MF-85B06T
30 W	5700 K	38°	2350 lm	80	0.9	100-240 V	White	T2-ICE-MF-85BF6T
30 W	3000 K	25°	2350 lm	80	0.9	100-240 V	Black	T2-ICE-LF-85AX6T
30 W	4000 K	25°	2350 lm	80	0.9	100-240 V	Black	T2-ICE-LF-85A06T
30 W	5700 K	25°	2350 lm	80	0.9	100-240 V	Black	T2-ICE-LF-85AF6T
30 W	3000 K	38°	2350 lm	80	0.9	100-240 V	Black	T2-ICE-MF-85AX6T
30 W	4000 K	38°	2350 lm	80	0.9	100-240 V	Black	T2-ICE-MF-85A06T
30 W	5700 K	38°	2350 lm	80	0.9	100-240 V	Black	T2-ICE-MF-85AF6T
45 W	3000 K	25°	3500 lm	80	0.9	100-240 V	White	T2-ICE-2F-87BP6T
45 W	4000 K	25°	3500 lm	80	0.9	100-240 V	White	T2-ICE-2F-87B26T
45 W	5700 K	25°	3500 lm	80	0.9	100-240 V	White	T2-ICE-2F-87BB6T
45 W	3000 K	38°	3500 lm	80	0.9	100-240 V	White	T2-ICE-RF-87BX6T
45 W	4000 K	38°	3500 lm	80	0.9	100-240 V	White	T2-ICE-RF-87B06T
45 W	5700 K	38°	3500 lm	80	0.9	100-240 V	White	T2-ICE-RF-87BF6T
45 W	3000 K	25°	3500 lm	80	0.9	100-240 V	Black	T2-ICE-2F-87AP6T
45 W	4000 K	25°	3500 lm	80	0.9	100-240 V	Black	T2-ICE-2F-87A26T
45 W	5700 K	25°	3500 lm	80	0.9	100-240 V	Black	T2-ICE-2F-87AB6T
45 W	3000 K	38°	3500 lm	80	0.9	100-240 V	Black	T2-ICE-RF-87AX6T
45 W	4000 K	38°	3500 lm	80	0.9	100-240 V	Black	T2-ICE-RF-87A06T
45 W	5700 K	38°	3500 lm	80	0.9	100-240 V	Black	T2-ICE-RF-87AF6T

LEDIGAMI LED Downlight Iceberg is delivered with optimized optics, providing accurate light distribution and high efficiency light output. It is available in 2 light distribution patterns to enable the suitability for any decoration.

LED Downlight Iceberg enables the fixture to be pulled out at 40° and rotate at 355°. It has a flexible design where it can be used as a downlight and a spotlight for any application. It is suitable for applications mainly in hotel lobby, restaurants and shopping malls.



LED DOWNLIGHT ICEBERG

FEATURES

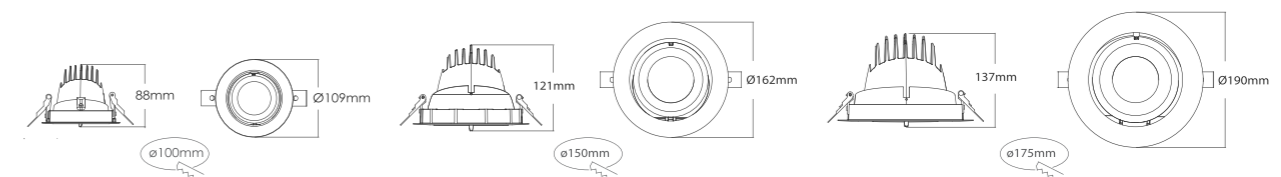
- System Power : 15W, 30W & 45W
- Beam Angle : 25° & 38°
- CCT : 3000K, 4000K & 5700K
- CRI : 80
- Color Available : White & Black
- IP rating : IP20
- Power Factor : 0.9

HIGHLIGHTS

- CRI 90 available
- Easy Installation
- 80% energy saving compared to traditional light sources
- Average rated lifespan of 35,000 hours
- Environmental friendly - free of mercury and hazardous
- Instant-On Light
- CE & RoHS certified

APPLICATIONS

- Hotel, Lobby, Restaurants, Shopping Mall



System Power: 15W

System Power: 30W

System Power: 45W

Tolerance: ±2.5mm

Note:
 1. LED is a dynamic and constantly evolving technology. The final lux output of LED Downlight Iceberg may vary.
 2. LED Downlight Iceberg needs to connect with an external driver.
 3. The total system power consumption is with 10% tolerance under 100-240V input voltage.
 4. Operating temperature = Ta-20°C → + 40°C.

* The photometric data were measured at initial state (Ta= 25°C)
 * Tolerance for dimensions = ±2.5mm

TECHNICAL DETAILS

System Power	CCT	Beam Angle	Light Output	CRI	Body Color	Art.-No. Fixed type	Art.-No. Adjustable Wallwasher type
29 W	3000 K	15°	2500 lm	80	White	T2-ANL-UW-21BX6T	-
29 W	4000 K	15°	2500 lm	80	White	T2-ANL-UW-21B06T	-
29 W	5700 K	15°	2500 lm	80	White	T2-ANL-UW-21BF6T	-
29 W	3000 K	25°	2500 lm	80	White	T2-ANL-VW-21BX6T	-
29 W	4000 K	25°	2500 lm	80	White	T2-ANL-VW-21B06T	-
29 W	5700 K	25°	2500 lm	80	White	T2-ANL-VW-21BF6T	-
29 W	3000 K	38°	2500 lm	80	White	T2-ANL-WW-21BX6T	-
29 W	4000 K	38°	2500 lm	80	White	T2-ANL-WW-21B06T	-
29 W	5700 K	38°	2500 lm	80	White	T2-ANL-WW-21BF6T	-
43 W	3000 K	15°	3600 lm	80	White	T2-ANL-UW-22BX6T	-
43 W	4000 K	15°	3600 lm	80	White	T2-ANL-UW-22B06T	-
43 W	5700 K	15°	3600 lm	80	White	T2-ANL-UW-22BF6T	-
43 W	3000 K	25°	3600 lm	80	White	T2-ANL-VW-22BX6T	-
43 W	4000 K	25°	3600 lm	80	White	T2-ANL-VW-22B06T	-
43 W	5700 K	25°	3600 lm	80	White	T2-ANL-VW-22BF6T	-
43 W	3000 K	38°	3600 lm	80	White	T2-ANL-WW-22BX6T	-
43 W	4000 K	38°	3600 lm	80	White	T2-ANL-WW-22B06T	-
43 W	5700 K	38°	3600 lm	80	White	T2-ANL-WW-22BF6T	-
60 W	3000 K	15°	5300 lm	80	White	T2-ANL-UW-23BX6T	-
60 W	4000 K	15°	5300 lm	80	White	T2-ANL-UW-23B06T	-
60 W	5700 K	15°	5300 lm	80	White	T2-ANL-UW-23BF6T	-
60 W	3000 K	25°	5300 lm	80	White	T2-ANL-VW-23BX6T	-
60 W	4000 K	25°	5300 lm	80	White	T2-ANL-VW-23B06T	-
60 W	5700 K	25°	5300 lm	80	White	T2-ANL-VW-23BF6T	-
60 W	3000 K	38°	5300 lm	80	White	T2-ANL-WW-23BX6T	-
60 W	4000 K	38°	5300 lm	80	White	T2-ANL-WW-23B06T	-
60 W	5700 K	38°	5300 lm	80	White	T2-ANL-WW-23BF6T	-
29 W	3000 K	-	2200 lm	80	White	-	T2-ANL-9X-17BX6T
29 W	4000 K	-	2200 lm	80	White	-	T2-ANL-9X-17B06T
29 W	5700 K	-	2200 lm	80	White	-	T2-ANL-9X-17BF6T
43 W	3000 K	-	3200 lm	80	White	-	T2-ANL-9X-18BX6T
43 W	4000 K	-	3200 lm	80	White	-	T2-ANL-9X-18B06T
43 W	5700 K	-	3200 lm	80	White	-	T2-ANL-9X-18BF6T
60 W	3000 K	-	4700 lm	80	White	-	T2-ANL-9X-19BX6T
60 W	4000 K	-	4700 lm	80	White	-	T2-ANL-9X-19B06T
60 W	5700 K	-	4700 lm	80	White	-	T2-ANL-9X-19BF6T

LED DOWNLIGHT ANLUX

LEDIGAMI LED Downlight Anlux comes with a flexible structural design, with 2 versions available; Fixed Type and Adjustable Wallwasher Type, enable customers to choose the lighting with their preference.

Anlux fixed type can be used as a spot light and it can reach an optimal light distribution when installed at a 60-90cm distance from the wall. Anlux adjustable wallwasher version is designed to spread out evenly and smoothly down the wall with high lumen output, creating the perfect glare-less lighting effect. It provides high efficiency optics and light pattern that is suitable in any installation.



LED DOWNLIGHT ANLUX, Fixed Type



LED DOWNLIGHT ANLUX, Adjustable Wallwasher Type

FEATURES

- System Power : 29W, 43W & 60W
- Version : Fixed Type & Adjustable Wallwasher Type
- Beam Angle : 15°, 25° & 38° (for fixed type models only)
- CCT : 3000K, 4000K & 5700K
- CRI : 80
- Color Available : White
- IP rating : IP20
- Power Factor : 0.9

HIGHLIGHTS

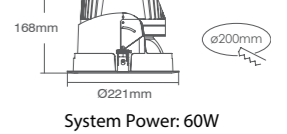
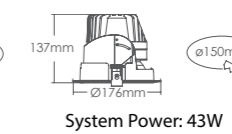
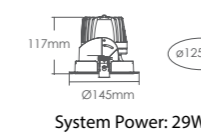
- Easy Installation
- 80% energy saving compared to traditional light sources
- Average rated lifespan of 35,000 hours
- Environmental friendly - free of mercury and hazardous
- Instant-On Light
- CE & RoHS certified

APPLICATIONS

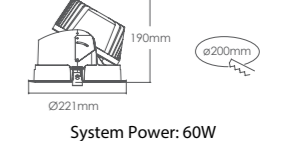
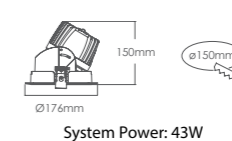
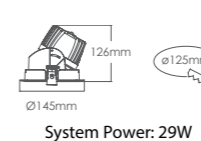
- Hotel, Lobby, Restaurants, Shopping Mall



LED DOWNLIGHT ANLUX, Fixed Type



LED DOWNLIGHT ANLUX, Adjustable Wallwasher Type



* The photometric data were measured at initial state (Ta= 25°C)
* Tolerance for dimensions = ±2.5mm

Note :
1. LED is a dynamic and constantly evolving technology. The final lux output of LED Downlight Anlux may vary.
2. LED Downlight Anlux needs to connect with an external driver.
3. The total system power consumption is with 10% tolerance under 100-240V input voltage.
4. Operating temperature = Ta=20°C → 40°C.
5. LED Downlight Anlux Adjustable Wallwasher Type has no fixed beam angle.

TECHNICAL DETAILS

Fixed Type

System Power	CCT	Beam Angle	Light Output	CRI	Power Factor	Version	Model	Art.-No.
12 W	3000 K	15°	850 lm	80	0.9	Fixed	F1	T2-ANM-C6W-3ABX6C
12 W	4000 K	15°	850 lm	80	0.9	Fixed	F1	T2-ANM-C6W-3AB06C
12 W	5700 K	15°	850 lm	80	0.9	Fixed	F1	T2-ANM-C6W-3ABF6C
12 W	3000 K	25°	850 lm	80	0.9	Fixed	F1	T2-ANM-C5W-3ABX6C
12 W	4000 K	25°	850 lm	80	0.9	Fixed	F1	T2-ANM-C5W-3AB06C
12 W	5700 K	25°	850 lm	80	0.9	Fixed	F1	T2-ANM-C5W-3ABF6C
12 W	3000 K	15°	850 lm	80	0.9	Fixed	F2	T2-ANM-C6W-3BBX6C
12 W	4000 K	15°	850 lm	80	0.9	Fixed	F2	T2-ANM-C6W-3BB06C
12 W	5700 K	15°	850 lm	80	0.9	Fixed	F2	T2-ANM-C6W-3BBF6C
12 W	3000 K	25°	850 lm	80	0.9	Fixed	F2	T2-ANM-C5W-3BBX6C
12 W	4000 K	25°	850 lm	80	0.9	Fixed	F2	T2-ANM-C5W-3BB06C
12 W	5700 K	25°	850 lm	80	0.9	Fixed	F2	T2-ANM-C5W-3BBF6C
12 W	3000 K	15°	850 lm	80	0.9	Fixed	F3	T2-ANM-C6W-3CBX6C
12 W	4000 K	15°	850 lm	80	0.9	Fixed	F3	T2-ANM-C6W-3CB06C
12 W	5700 K	15°	850 lm	80	0.9	Fixed	F3	T2-ANM-C6W-3CBF6C
12 W	3000 K	25°	850 lm	80	0.9	Fixed	F3	T2-ANM-C5W-3CBX6C
12 W	4000 K	25°	850 lm	80	0.9	Fixed	F3	T2-ANM-C5W-3CB06C
12 W	5700 K	25°	850 lm	80	0.9	Fixed	F3	T2-ANM-C5W-3CBF6C
12 W	3000 K	55°	850 lm	80	0.9	Fixed	F4	T2-ANM-C7W-3DBX6C
12 W	4000 K	55°	850 lm	80	0.9	Fixed	F4	T2-ANM-C7W-3DB06C
12 W	5700 K	55°	850 lm	80	0.9	Fixed	F4	T2-ANM-C7W-3DBF6C
12 W	3000 K	15°	850 lm	80	0.9	Fixed	F5	T2-ANM-C6W-3EBX6C
12 W	4000 K	15°	850 lm	80	0.9	Fixed	F5	T2-ANM-C6W-3EB06C
12 W	5700 K	15°	850 lm	80	0.9	Fixed	F5	T2-ANM-C6W-3EBF6C
12 W	3000 K	25°	850 lm	80	0.9	Fixed	F5	T2-ANM-C5W-3EBX6C
12 W	4000 K	25°	850 lm	80	0.9	Fixed	F5	T2-ANM-C5W-3EB06C
12 W	5700 K	25°	850 lm	80	0.9	Fixed	F5	T2-ANM-C5W-3EBF6C

LED DOWNLIGHT ANLUX MINI

LEDIGAMI LED Downlight Anlux Mini emphasizes on easy installation especially when customers can easily choose the trims based on their installation areas.

The trims were designed for the light pattern to spread out evenly and smoothly along the wall, creating a perfect lighting effect, it provides more flexible choices to customers in terms of styles and cut out hole size.



LED DOWNLIGHT ANLUX MINI, Fixed Type



LED DOWNLIGHT ANLUX MINI, Adjustable Type

FEATURES

- System Power : 12W
- Version : Fixed Type & Adjustable Type
- Beam Angle : 15°, 25°, 55° & Flood (based on models)
- CCT : 3000K, 4000K & 5700K
- CRI : 80
- IP rating : IP20
- Power Factor : 0.9

HIGHLIGHTS

- Easy Installation
- Wide selection of trims
- High energy saving compared to traditional light sources
- Environmental friendly - free of mercury and hazardous
- Instant-On Light
- CE & RoHS certified

APPLICATIONS

- Hotels, Restaurants, Retails

Anlux Mini F1



Anlux Mini F2



Anlux Mini F3



Anlux Mini F4



Anlux Mini F5



Tolerance for dimensions = ±2.5mm

Note :

1. LED is a dynamic and constantly evolving technology. The final lux output of LED Downlight Anlux Mini may vary.
2. LED Downlight Anlux Mini needs to connect with an external driver.
3. The total system power consumption is with 10% tolerance under 100-240V input voltage.
4. Operating temperature = Ta-20°C → +40°C.

* All measurement data subjected to 10% tolerance due to measurement equipment tolerance and accuracy

TECHNICAL DETAILS

Adjustable Type

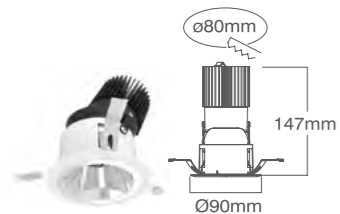
System Power	CCT	Beam Angle	Light Output	CRI	Power Factor	Version	Model	Art.-No.
12 W	3000 K	Flood	850 lm	80	0.9	Adjustable	X1	T2-ANM-C4X-3ABX6C
12 W	4000 K	Flood	850 lm	80	0.9	Adjustable	X1	T2-ANM-C4X-3AB06C
12 W	5700 K	Flood	850 lm	80	0.9	Adjustable	X1	T2-ANM-C4X-3ABF6C
12 W	3000 K	Flood	850 lm	80	0.9	Adjustable	X2	T2-ANM-C4X-3BBX6C
12 W	4000 K	Flood	850 lm	80	0.9	Adjustable	X2	T2-ANM-C4X-3BB06C
12 W	5700 K	Flood	850 lm	80	0.9	Adjustable	X2	T2-ANM-C4X-3BBF6C
12 W	3000 K	-	850 lm	80	0.9	Adjustable	X3	T2-ANM-9X-3CBX6C
12 W	4000 K	-	850 lm	80	0.9	Adjustable	X3	T2-ANM-9X-3CB06C
12 W	5700 K	-	850 lm	80	0.9	Adjustable	X3	T2-ANM-9X-3CBF6C
12 W	3000 K	15°	850 lm	80	0.9	Adjustable	X4	T2-ANM-C6X-3DBX6C
12 W	4000 K	15°	850 lm	80	0.9	Adjustable	X4	T2-ANM-C6X-3DB06C
12 W	5700 K	15°	850 lm	80	0.9	Adjustable	X4	T2-ANM-C6X-3DBF6C
12 W	3000 K	25°	850 lm	80	0.9	Adjustable	X4	T2-ANM-C5X-3DBX6C
12 W	4000 K	25°	850 lm	80	0.9	Adjustable	X4	T2-ANM-C5X-3DB06C
12 W	5700 K	25°	850 lm	80	0.9	Adjustable	X4	T2-ANM-C5X-3DBF6C

TECHNICAL DETAILS

Adjustable Type

System Power	CCT	Beam Angle	Light Output	CRI	Power Factor	Version	Model	Art.-No.
12 W	3000 K	15°	850 lm	80	0.9	Adjustable	X4 Silver	T2-ANM-C6X-3EBX6C
12 W	4000 K	15°	850 lm	80	0.9	Adjustable	X4 Silver	T2-ANM-C6X-3EB06C
12 W	5700 K	15°	850 lm	80	0.9	Adjustable	X4 Silver	T2-ANM-C6X-3EBF6C
12 W	3000 K	25°	850 lm	80	0.9	Adjustable	X4 Silver	T2-ANM-C5X-3EBX6C
12 W	4000 K	25°	850 lm	80	0.9	Adjustable	X4 Silver	T2-ANM-C5X-3EB06C
12 W	5700 K	25°	850 lm	80	0.9	Adjustable	X4 Silver	T2-ANM-C5X-3EBF6C
12 W	3000 K	15°	850 lm	80	0.9	Adjustable	X4 Gold	T2-ANM-C6X-3FBX6C
12 W	4000 K	15°	850 lm	80	0.9	Adjustable	X4 Gold	T2-ANM-C6X-3FB06C
12 W	5700 K	15°	850 lm	80	0.9	Adjustable	X4 Gold	T2-ANM-C6X-3FBF6C
12 W	3000 K	25°	850 lm	80	0.9	Adjustable	X4 Gold	T2-ANM-C5X-3FBX6C
12 W	4000 K	25°	850 lm	80	0.9	Adjustable	X4 Gold	T2-ANM-C5X-3FB06C
12 W	5700 K	25°	850 lm	80	0.9	Adjustable	X4 Gold	T2-ANM-C5X-3FBF6C
12 W	3000 K	15°	850 lm	80	0.9	Adjustable	X4 Rose Gold	T2-ANM-C6X-3GBX6C
12 W	4000 K	15°	850 lm	80	0.9	Adjustable	X4 Rose Gold	T2-ANM-C6X-3GB06C
12 W	5700 K	15°	850 lm	80	0.9	Adjustable	X4 Rose Gold	T2-ANM-C6X-3GBF6C
12 W	3000 K	25°	850 lm	80	0.9	Adjustable	X4 Rose Gold	T2-ANM-C5X-3GBX6C
12 W	4000 K	25°	850 lm	80	0.9	Adjustable	X4 Rose Gold	T2-ANM-C5X-3GB06C
12 W	5700 K	25°	850 lm	80	0.9	Adjustable	X4 Rose Gold	T2-ANM-C5X-3GBF6C
12 W	3000 K	15°	850 lm	80	0.9	Adjustable	X5	T2-ANM-C6X-3HBX6C
12 W	4000 K	15°	850 lm	80	0.9	Adjustable	X5	T2-ANM-C6X-3HB06C
12 W	5700 K	15°	850 lm	80	0.9	Adjustable	X5	T2-ANM-C6X-3HBF6C
12 W	3000 K	25°	850 lm	80	0.9	Adjustable	X5	T2-ANM-C5X-3HBX6C
12 W	4000 K	25°	850 lm	80	0.9	Adjustable	X5	T2-ANM-C5X-3HB06C
12 W	5700 K	25°	850 lm	80	0.9	Adjustable	X5	T2-ANM-C5X-3HBF6C

Anlux Mini X1



Anlux Mini X2



Anlux Mini X3

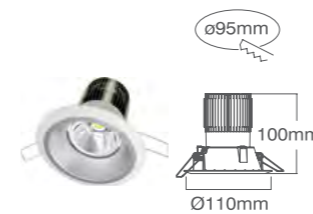


Anlux Mini X4

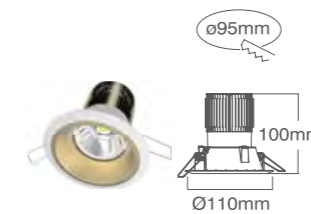


Tolerance for dimensions = ±2.5mm

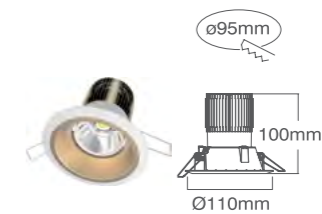
Anlux Mini X4 Silver



Anlux Mini X4 Gold



Anlux Mini X4 Rose Gold



Anlux Mini X5



Tolerance for dimensions = ±2.5mm

Note:
 1. LED is a dynamic and constantly evolving technology. The final lux output of LED Downlight Anlux Mini may vary.
 2. LED Downlight Anlux Mini needs to connect with an external driver.
 3. The total system power consumption is with 10% tolerance under 100-240V input voltage.
 4. Operating temperature = Ta-20°C → +40°C.

Note:
 1. LED is a dynamic and constantly evolving technology. The final lux output of LED Downlight Anlux Mini may vary.
 2. LED Downlight Anlux Mini needs to connect with an external driver.
 3. The total system power consumption is with 10% tolerance under 100-240V input voltage.
 4. Operating temperature = Ta-20°C → +40°C.

TECHNICAL DETAILS

System Power	CCT	Beam Angle	Light Output	CRI	Voltage	Body Color	Art.-No.
40 W	3000 K	15°	3000 lm	80	100-240 V	White	T2-TOR-SE-84BX6T
40 W	4000 K	15°	3000 lm	80	100-240 V	White	T2-TOR-SE-84B06T
40 W	5700 K	15°	3000 lm	80	100-240 V	White	T2-TOR-SE-84BF6T
40 W	3000 K	25°	3000 lm	80	100-240 V	White	T2-TOR-1E-84BP6T
40 W	4000 K	25°	3000 lm	80	100-240 V	White	T2-TOR-1E-84B26T
40 W	5700 K	25°	3000 lm	80	100-240 V	White	T2-TOR-1E-84BB6T
40 W	3000 K	15°	3000 lm	80	100-240 V	Black	T2-TOR-SE-84AX6T
40 W	4000 K	15°	3000 lm	80	100-240 V	Black	T2-TOR-SE-84A06T
40 W	5700 K	15°	3000 lm	80	100-240 V	Black	T2-TOR-SE-84AF6T
40 W	3000 K	25°	3000 lm	80	100-240 V	Black	T2-TOR-1E-84AP6T
40 W	4000 K	25°	3000 lm	80	100-240 V	Black	T2-TOR-1E-84A26T
40 W	5700 K	25°	3000 lm	80	100-240 V	Black	T2-TOR-1E-84AB6T

LED DOWNLIGHT TORPÉ

LEDIGAMI LED Downlight Torpé is a ceiling mounted downlight that specialised in directional lighting. It can also be used as a spot light for applications like museums, retail shops, restaurants and residential areas.

LED Downlight Torpé comes with 2 beam angles and it works well for most purposes. It comes with white and black colour housing and is easily match with any interior decorations.



LED DOWNLIGHT TORPÉ

FEATURES

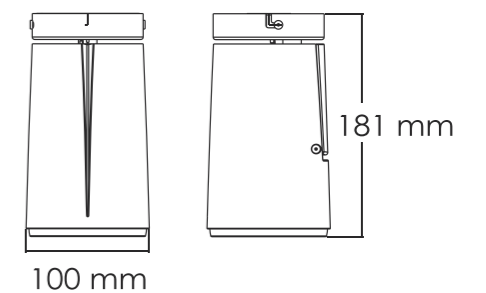
- System Power : 40W
- Beam Angle : 15° & 25°
- CCT : 3000K, 4000K & 5700K
- CRI : 80
- Color Available : White & Black
- IP rating : IP20
- Power Factor : 0.9

HIGHLIGHTS

- Easy Installation
- 80% energy saving compared to traditional light sources
- Average rated lifespan of 35,000 hours
- Environmental friendly - free of mercury and hazardous
- Instant-On Light
- CE & RoHS certified

APPLICATIONS

- Museum, Retail, Restaurants, Home



Note :
 1. LED is a dynamic and constantly evolving technology. The final lux output of 40W LED Downlight Torpé may vary.
 2. LED Downlight Torpé comes with an internal driver.
 3. The total system power consumption is with 10% tolerance under 100-240V input voltage.
 4. Operating temperature =Ta-20°C → + 40°C.

* The photometric data were measured at initial state (Ta= 25°C)
 * Tolerance for dimensions = ±2.5mm

LED DOWNLIGHT WELLUX

TECHNICAL DETAILS

System Power	CCT	Beam Angle	Light Output	CRI	Outer Dimension	Body Color	Art.-No.
11 W	3000 K	55°	700 lm	80	4"	White	T2-WEL-TL-67BX6T
11 W	4000 K	55°	700 lm	80	4"	White	T2-WEL-TL-67B06T
11 W	5700 K	55°	700 lm	80	4"	White	T2-WEL-TL-67BF6T
16 W	3000 K	55°	1100 lm	80	5"	White	T2-WEL-TL-68BX6T
16 W	4000 K	55°	1100 lm	80	5"	White	T2-WEL-TL-68B06T
16 W	5700 K	55°	1100 lm	80	5"	White	T2-WEL-TL-68BF6T
23 W	3000 K	55°	1400 lm	80	6"	White	T2-WEL-TL-69BX6T
23 W	4000 K	55°	1400 lm	80	6"	White	T2-WEL-TL-69B06T
23 W	5700 K	55°	1400 lm	80	6"	White	T2-WEL-TL-69BF6T
31 W	3000 K	55°	2200 lm	80	8"	White	T2-WEL-TL-70BX6T
31 W	4000 K	55°	2200 lm	80	8"	White	T2-WEL-TL-70B06T
31 W	5700 K	55°	2200 lm	80	8"	White	T2-WEL-TL-70BF6T

LEDIGAMI LED Downlight Wellux comes in various wattages and sizes to choose from and suitable to be used in various applications. It is a surface mounted downlight and it can be perfectly installed to any ceilings.

LED Downlight Wellux is designed for easy installation to save labour cost. It can be installed with just 3 easy steps. Wellux is suitable to be installed in hallways, shopping malls, restaurants and supermarkets.



LED DOWNLIGHT WELLUX

FEATURES

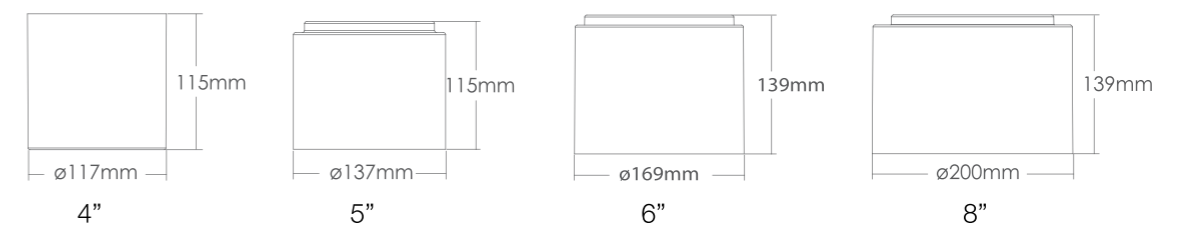
- System Power : 11W, 16W, 23W & 31W
- Outer Dimension : 4", 5", 6" & 8"
- Beam Angle : 55°
- CCT : 3000K, 4000K & 5700K
- CRI : 80
- Color Available : White
- IP rating : IP20
- Power Factor : 0.9

HIGHLIGHTS

- Easy Installation
- 80% energy saving compared to traditional light sources
- Average rated lifespan of 35,000 hours
- Environmental friendly - free of mercury and hazardous
- Instant-On Light
- CE & RoHS certified

APPLICATIONS

- Hallways, Restaurants, Shopping Mall, Supermarkets



Note:

1. LED is a dynamic and constantly evolving technology. The final lux output of LED Downlight Wellux may vary.
2. LED Downlight Wellux comes with an internal driver.
3. The total system power consumption is with 10% tolerance under 100-240V input voltage.
4. Operating temperature =Ta-20°C → 40°C.

* The photometric data were measured at initial state (Ta= 25°C)
* Tolerance for dimensions = $\pm 2.5\text{mm}$

TECHNICAL DETAILS

Modux Housing

Description	Body Color	Art.-No.
1 in 1 housing	White	TZ-MDH-0F-F1526T
2 in 1 housing	White	TZ-MDH-0F-F1527T
3 in 1 housing	White	TZ-MDH-0F-F1528T

AR111 for LED Downlight Modux

System Power	CCT	Beam Angle	Light Output	CRI	Power Factor	Voltage	Body Color	Art.-No.
30 W	3000 K	15°	2350 lm	80	0.9	100-240 V	White	T2-MOD-KV-24BX6T
30 W	4000 K	15°	2350 lm	80	0.9	100-240 V	White	T2-MOD-KV-24B06T
30 W	5700 K	15°	2350 lm	80	0.9	100-240 V	White	T2-MOD-KV-24BF6T
30 W	3000 K	25°	2350 lm	80	0.9	100-240 V	White	T2-MOD-LV-24BX6T
30 W	4000 K	25°	2350 lm	80	0.9	100-240 V	White	T2-MOD-LV-24B06T
30 W	5700 K	25°	2350 lm	80	0.9	100-240 V	White	T2-MOD-LV-24BF6T
30 W	3000 K	38°	2350 lm	80	0.9	100-240 V	White	T2-MOD-MV-24BX6T
30 W	4000 K	38°	2350 lm	80	0.9	100-240 V	White	T2-MOD-MV-24B06T
30 W	5700 K	38°	2350 lm	80	0.9	100-240 V	White	T2-MOD-MV-24BF6T
40 W	3000 K	15°	3000 lm	80	0.9	100-240 V	White	T2-MOD-SV-25BX6T
40 W	4000 K	15°	3000 lm	80	0.9	100-240 V	White	T2-MOD-SV-25B06T
40 W	5700 K	15°	3000 lm	80	0.9	100-240 V	White	T2-MOD-SV-25BF6T
40 W	3000 K	25°	3000 lm	80	0.9	100-240 V	White	T2-MOD-XV-25BX6T
40 W	4000 K	25°	3000 lm	80	0.9	100-240 V	White	T2-MOD-XV-25B06T
40 W	5700 K	25°	3000 lm	80	0.9	100-240 V	White	T2-MOD-XV-25BF6T
40 W	3000 K	38°	3000 lm	80	0.9	100-240 V	White	T2-MOD-YV-25BX6T
40 W	4000 K	38°	3000 lm	80	0.9	100-240 V	White	T2-MOD-YV-25B06T
40 W	5700 K	38°	3000 lm	80	0.9	100-240 V	White	T2-MOD-YV-25BF6T

LED Downlight Clever Mini for LED Downlight Modux

System Power	CCT	Beam Angle	Light Output	CRI	Power Factor	Voltage	Body Color	Art.-No.
40 W	3000 K	15°	3000 lm	80	0.9	100-240 V	White	T2-MOD-SR-26BX6T
40 W	4000 K	15°	3000 lm	80	0.9	100-240 V	White	T2-MOD-SR-26B06T
40 W	5700 K	15°	3000 lm	80	0.9	100-240 V	White	T2-MOD-SR-26BF6T
40 W	3000 K	25°	3000 lm	80	0.9	100-240 V	White	T2-MOD-XR-26BX6T
40 W	4000 K	25°	3000 lm	80	0.9	100-240 V	White	T2-MOD-XR-26B06T
40 W	5700 K	25°	3000 lm	80	0.9	100-240 V	White	T2-MOD-XR-26BF6T
40 W	3000 K	38°	3000 lm	80	0.9	100-240 V	White	T2-MOD-YR-26BX6T
40 W	4000 K	38°	3000 lm	80	0.9	100-240 V	White	T2-MOD-YR-26B06T
40 W	5700 K	38°	3000 lm	80	0.9	100-240 V	White	T2-MOD-YR-26BF6T

LED Downlight Iceberg for LED Downlight Modux

System Power	CCT	Beam Angle	Light Output	CRI	Power Factor	Voltage	Body Color	Art.-No.
30 W	3000 K	25°	2350 lm	80	0.9	100-240 V	White	T2-MOD-LF-85BX6T
30 W	4000 K	25°	2350 lm	80	0.9	100-240 V	White	T2-MOD-LF-85B06T
30 W	5700 K	25°	2350 lm	80	0.9	100-240 V	White	T2-MOD-LF-85BF6T
30 W	3000 K	38°	2350 lm	80	0.9	100-240 V	White	T2-MOD-MF-85BX6T
30 W	4000 K	38°	2350 lm	80	0.9	100-240 V	White	T2-MOD-MF-85B06T
30 W	5700 K	38°	2350 lm	80	0.9	100-240 V	White	T2-MOD-MF-85BF6T

Note:
 1. LED is a dynamic and constantly evolving technology. The final lux output may vary.
 2. LED AR111, LED Downlight Clever Mini and LED Downlight Iceberg need to connect with an external driver.
 3. The total system power consumption is with 10% tolerance under 100-240V input voltage.
 4. Operating temperature = Ta-20°C → 40°C.

LED DOWNLIGHT MODUX

LEDIGAMI LED Downlight Modux offer customers to mix and match LED AR111, LED Downlight Clever Mini and LED Downlight Iceberg with the fixture. Modux is easily installed and can be installed without qualified personnel.

LED Downlight Modux comes in 3 different housings. With the variety of modules, it is applicable according to different lighting applications such as hotels, restaurants, museums and residential areas.



LED DOWNLIGHT MODUX

FEATURES

- Compatible : LED AR111, LED Downlight Clever Mini & LED Downlight Iceberg
- CCT : 3000K, 4000K & 5700K
- CRI : 80
- Color Available : White
- IP rating : IP20
- Housing : 1 in 1, 2 in 1 & 3 in 1

HIGHLIGHTS

- Easy Installation
- Module in housing is interchangeable
- Average rated lifespan of 35,000 hours
- Environmental friendly - free of mercury and hazardous
- Instant-On Light
- CE & RoHS certified

APPLICATIONS

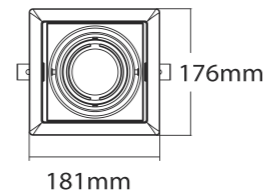
- Hotels, Restaurants, Museums

LED DOWNLIGHT MODUX COMBINATION OPTIONS



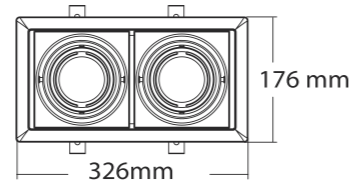
- Housing : 1 in 1
- 1 x LED Downlight Clever Mini
- 1 x LED Downlight Iceberg
- 1 x LED AR111

165mmx165mm



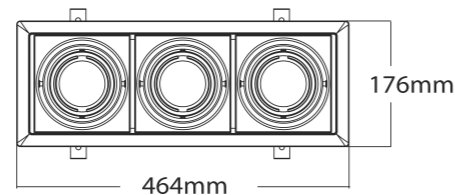
- Housing : 2 in 1
- 2 x LED Downlight Clever Mini
- 2 x LED Downlight Iceberg
- 2 x LED AR111
- 1 x LED Downlight Clever Mini, 1 x LED Downlight Iceberg
- 1 x LED Downlight Clever Mini, 1 x LED AR111
- 1 x LED AR111, 1 x LED Downlight Iceberg

300mmx165mm



- Housing : 3 in 1
- 3 x LED Downlight Clever Mini
- 3 x LED Downlight Iceberg
- 3 x LED AR111
- 1 x LED Downlight Clever Mini, 1 x LED Downlight Iceberg, 1 x LED AR111
- 2 x LED Downlight Clever Mini, 1 x LED Downlight Iceberg
- 2 x LED Downlight Clever Mini, 1 x LED AR111
- 2 x LED Downlight Iceberg, 1 x LED Downlight Clever Mini
- 2 x LED Downlight Iceberg, 1 x LED AR111
- 2 x LED AR111, 1 x LED Downlight Clever Mini
- 2 x LED AR111, 1 x LED Downlight Iceberg

450mmx165mm



LED DOWNLIGHT MODUX MULTIPLE FUNCTIONS



LED Downlight Modux is interchangeable and replaceable by LED AR111, LED Downlight Clever Mini and LED Downlight Iceberg. The assembly and disassembly can be done without the present of qualified personnel.



LED Downlight Modux can be rotated to 355 deg. Different modules can also be adjusted, pulled out and rotate sideways. They are suitable to be used in various locations like the museums, hospitals, shopping malls and restaurants.

TECHNICAL DETAILS

System Power	CCT	Beam Angle	Light Output	Optic	CRI	Dimension	Body Color	Art.-No. Fixed type	Art.-No. Adjustable type
8 W	3000 K	24°	500 lm	☒	90	2.5"	White	T2-BEL-JY-89CM7C	T2-BEL-JZ-89CM7C
8 W	4000 K	24°	550 lm	☒	90	2.5"	White	T2-BEL-JY-89C17C	T2-BEL-JZ-89C17C
8 W	6000 K	24°	600 lm	☒	90	2.5"	White	T2-BEL-JY-89CD7C	T2-BEL-JZ-89CD7C
12 W	3000 K	24°	750 lm	☒	90	2.5"	White	T2-BEL-FY-90CM7C	T2-BEL-FZ-90CM7C
12 W	4000 K	24°	800 lm	☒	90	2.5"	White	T2-BEL-FY-90C17C	T2-BEL-FZ-90C17C
12 W	6000 K	24°	850 lm	☒	90	2.5"	White	T2-BEL-FY-90CD7C	T2-BEL-FZ-90CD7C
18 W	3000 K	24°	1200 lm	☒	90	4"	White	-	T2-BEL-H1-91CM7C
18 W	4000 K	24°	1300 lm	☒	90	4"	White	-	T2-BEL-H1-91C17C
18 W	6000 K	24°	1350 lm	☒	90	4"	White	-	T2-BEL-H1-91CD7C
18 W	3000 K	40°	1200 lm	☒	90	4"	White	-	T2-BEL-H1-91CT7C
18 W	4000 K	40°	1300 lm	☒	90	4"	White	-	T2-BEL-H1-91C47C
18 W	6000 K	40°	1350 lm	☒	90	4"	White	-	T2-BEL-H1-91CE7C
28 W	3000 K	24°	1600 lm	☒	90	4"	White	-	T2-BEL-31-92CM7C
28 W	4000 K	24°	1650 lm	☒	90	4"	White	-	T2-BEL-31-92C17C
28 W	6000 K	24°	1700 lm	☒	90	4"	White	-	T2-BEL-31-92CD7C
28 W	3000 K	40°	1600 lm	☒	90	4"	White	-	T2-BEL-31-92CT7C
28 W	4000 K	40°	1650 lm	☒	90	4"	White	-	T2-BEL-31-92C47C
28 W	6000 K	40°	1700 lm	☒	90	4"	White	-	T2-BEL-31-92CE7C

☒
Clear

LED DOWNLIGHT BELLUX

LEDIGAMI LED Downlight Bellux is developed to replace traditional Halogen and Ceramic Discharge Metal-Halide (CDM) for various accent lighting applications. This lamp has excellent texture, appearance and superior integrated heat dissipation platform.

LEDIGAMI LED Downlight Bellux has wide color temperature options for different applications demands. The housing is fully die-cast aluminium that will be able to ensure good heat dissipation, durable quality and impact proof. Bellux is typically installed in industrial and commercial area by adding stylish ambience light to the application areas.

FEATURES

- System Power : 8W, 12W, 18W & 28W
- Version : Fixed Type & Adjustable Type
- Beam Angles : 24° & 40°
- Pull Out Angles : 15°(2.5") & 22°(4")
- CCT : 3000K, 4000K & 6000K
- Optics : Clear (Frost lens available)
- CRI : 90
- IP rating : IP20
- Power Factor : >0.9

HIGHLIGHTS

- Easy Installation
- 80% energy saving compared to traditional light sources
- Average rated lifespan of 35,000 hours
- Environmental friendly - free of mercury and hazardous
- Instant-On Light
- CE & RoHS certified

APPLICATIONS

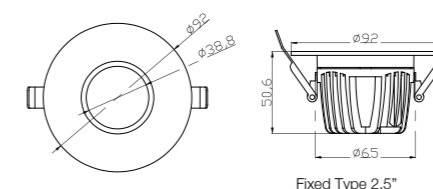
- Hotels, Lobby, Restaurants



LED DOWNLIGHT BELLUX , Fixed Type

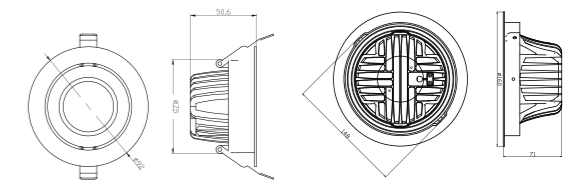


LED DOWNLIGHT BELLUX , Adjustable Type



Fixed Type 2.5"

LED DOWNLIGHT BELLUX, Fixed Type



Adjustable Type 2.5"

Adjustable Type 4"

LED DOWNLIGHT BELLUX, Adjustable Type

Note :
 1. LED is a dynamic and constantly evolving technology. The final lux output of LED Downlight Bellux may vary.
 2. LED Downlight Bellux needs to connect with an external driver.
 3. The total system power consumption is with 10% tolerance under 100-240V input voltage.
 4. Operating temperature = Ta-20°C ~+ 60°C.
 5. Lumen output for Frost lens may vary.

* The photometric data were measured at initial state (Ta= 25°C)
 * Tolerance for dimensions = ±2.5mm

TECHNICAL DETAILS

LENS

System Power	CCT	Beam Angle	Light Output	Version	Optic	CRI	Voltage	Art.-No.
6 W	2700 K	24°	300 lm	Lens	☒	80	100-240	T2-HAL-B08-29CW6C
6 W	3000 K	24°	330 lm	Lens	☒	80	100-240	T2-HAL-B08-29CX6C
6 W	4000 K	24°	330 lm	Lens	☒	80	100-240	T2-HAL-B08-29C06C
6 W	2700 K	36°	300 lm	Lens	☒	80	100-240	T2-HAL-B18-29CW6C
6 W	3000 K	36°	330 lm	Lens	☒	80	100-240	T2-HAL-B18-29CX6C
6 W	4000 K	36°	330 lm	Lens	☒	80	100-240	T2-HAL-B18-29C06C
6 W	2700 K	60°	300 lm	Lens	☒	80	100-240	T2-HAL-A98-29CW6C
6 W	3000 K	60°	330 lm	Lens	☒	80	100-240	T2-HAL-A98-29CX6C
6 W	4000 K	60°	330 lm	Lens	☒	80	100-240	T2-HAL-A98-29C06C
9 W	2700 K	24°	500 lm	Lens	☒	80	100-240	T2-HAL-B08-30CW6C
9 W	3000 K	24°	550 lm	Lens	☒	80	100-240	T2-HAL-B08-30CX6C
9 W	4000 K	24°	550 lm	Lens	☒	80	100-240	T2-HAL-B08-30C06C
9 W	2700 K	36°	500 lm	Lens	☒	80	100-240	T2-HAL-B18-30CW6C
9 W	3000 K	36°	550 lm	Lens	☒	80	100-240	T2-HAL-B18-30CX6C
9 W	4000 K	36°	550 lm	Lens	☒	80	100-240	T2-HAL-B18-30C06C
9 W	2700 K	60°	500 lm	Lens	☒	80	100-240	T2-HAL-A98-30CW6C
9 W	3000 K	60°	550 lm	Lens	☒	80	100-240	T2-HAL-A98-30CX6C
9 W	4000 K	60°	550 lm	Lens	☒	80	100-240	T2-HAL-A98-30C06C
13 W	2700 K	24°	800 lm	Lens	☒	80	100-240	T2-HAL-B68-28CW6C
13 W	3000 K	24°	800 lm	Lens	☒	80	100-240	T2-HAL-B68-29CX6C
13 W	4000 K	24°	800 lm	Lens	☒	80	100-240	T2-HAL-B68-28C06C
13 W	2700 K	36°	800 lm	Lens	☒	80	100-240	T2-HAL-B78-28CW6C
13 W	3000 K	36°	800 lm	Lens	☒	80	100-240	T2-HAL-B78-28CX6C
13 W	4000 K	36°	800 lm	Lens	☒	80	100-240	T2-HAL-B78-28C06C
13 W	2700 K	60°	800 lm	Lens	☒	80	100-240	T2-HAL-B58-28CW6C
13 W	3000 K	60°	800 lm	Lens	☒	80	100-240	T2-HAL-B58-28CX6C
13 W	4000 K	60°	800 lm	Lens	☒	80	100-240	T2-HAL-B58-28C06C
17 W	2700 K	24°	930 lm	Lens	☒	80	100-240	T2-HAL-C28-27CW6C
17 W	3000 K	24°	1000 lm	Lens	☒	80	100-240	T2-HAL-C28-27CX6C
17 W	4000 K	24°	1000 lm	Lens	☒	80	100-240	T2-HAL-C28-27C06C
17 W	2700 K	36°	930 lm	Lens	☒	80	100-240	T2-HAL-C38-27CW6C
17 W	3000 K	36°	1000 lm	Lens	☒	80	100-240	T2-HAL-C38-27CX6C
17 W	4000 K	36°	1000 lm	Lens	☒	80	100-240	T2-HAL-C38-27C06C
17 W	2700 K	60°	930 lm	Lens	☒	80	100-240	T2-HAL-C18-27CW6C
17 W	3000 K	60°	1000 lm	Lens	☒	80	100-240	T2-HAL-C18-27CX6C
17 W	4000 K	60°	1000 lm	Lens	☒	80	100-240	T2-HAL-C18-27C06C

☒
Clear

LED DOWNLIGHT HALLUX

F SERIES

This unique and flexible LED DOWNLIGHT HALLUX F Series comes with various accessories and cut-out hole size to match customers' need. The 8 types of accessories are designed using easy assembly method, enabling customers to easily choose their desire trims for their lighting projects. Hallux is suitable to be installed indoor in housing projects, shopping malls and restaurants.



F Series (Lens) - 6W, 9W, 13W



F Series (Reflector) - 6W, 9W, 13W



F Series (Lens) - 17W



F Series (Reflector) - 17W

SPECIFICATIONS

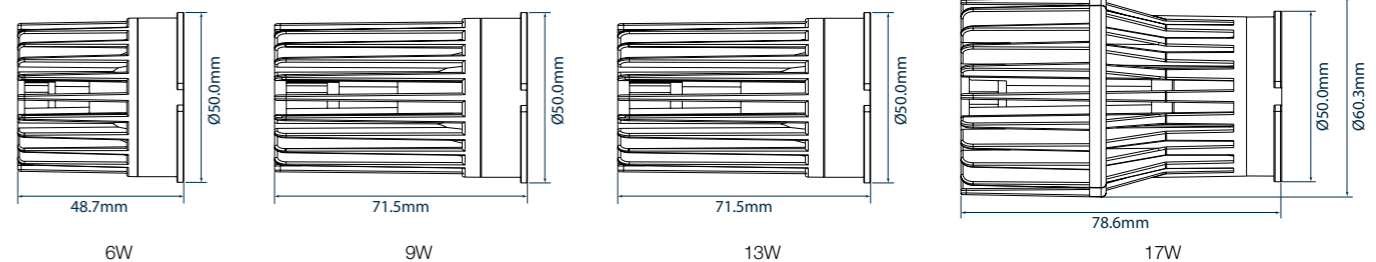
- System Power: 6W, 9W, 13W & 17W
- Version: Lens and Reflector
- CCT: 2700K, 3000K & 4000K
- CRI: 80
- IP Rating: IP20

HIGHLIGHTS

- Easy Installation
- Excellent energy saving compared to traditional light source
- Average rated lifespan of 35,000 hours
- Environmentally friendly and durable quality
- Instant-On light
- CE & RoHS certified

APPLICATIONS

- Restaurants, Shopping Mall, Retail Outlet



* The photometric data were measured at initial state (Ta= 25°C)
* Tolerance for dimensions = ±2.5mm

Note:
1. LED is a dynamic and constantly evolving technology. The final lux output of LED Downlight Hallux may vary.
2. LED Downlight Hallux needs to connect with an external driver.
3. The total system power consumption is with 10% tolerance under 100-240V input voltage.
4. Operating temperature = Ta-20°C → + 40°C.

TECHNICAL DETAILS

REFLECTOR

System Power	CCT	Beam Angle	Light Output	Version	Optic	CRI	Voltage	Art.-No.
6 W	2700 K	15°	300 lm	Reflector	☒	80	100-240	T2-HAL-A67-29DW6C
6 W	3000 K	15°	330 lm	Reflector	☒	80	100-240	T2-HAL-A67-29DX6C
6 W	4000 K	15°	330 lm	Reflector	☒	80	100-240	T2-HAL-A67-29D06C
6 W	2700 K	28°	300 lm	Reflector	☒	80	100-240	T2-HAL-A77-29DW6C
6 W	3000 K	28°	330 lm	Reflector	☒	80	100-240	T2-HAL-A77-29DX6C
6 W	4000 K	28°	330 lm	Reflector	☒	80	100-240	T2-HAL-A77-29D06C
6 W	2700 K	40°	300 lm	Reflector	☒	80	100-240	T2-HAL-A87-29DW6C
6 W	3000 K	40°	330 lm	Reflector	☒	80	100-240	T2-HAL-A87-29DX6C
6 W	4000 K	40°	330 lm	Reflector	☒	80	100-240	T2-HAL-A87-29D06C
6 W	2700 K	60°	300 lm	Reflector	☒	80	100-240	T2-HAL-A97-29DW6C
6 W	3000 K	60°	330 lm	Reflector	☒	80	100-240	T2-HAL-A97-29DX6C
6 W	4000 K	60°	330 lm	Reflector	☒	80	100-240	T2-HAL-A97-29D06C
9 W	2700 K	15°	500 lm	Reflector	☒	80	100-240	T2-HAL-A07-30DW6C
9 W	3000 K	15°	550 lm	Reflector	☒	80	100-240	T2-HAL-A07-30DX6C
9 W	4000 K	15°	550 lm	Reflector	☒	80	100-240	T2-HAL-A07-30D06C
9 W	2700 K	28°	500 lm	Reflector	☒	80	100-240	T2-HAL-A17-30DW6C
9 W	3000 K	28°	550 lm	Reflector	☒	80	100-240	T2-HAL-A17-30DX6C
9 W	4000 K	28°	550 lm	Reflector	☒	80	100-240	T2-HAL-A17-30D06C
9 W	2700 K	40°	500 lm	Reflector	☒	80	100-240	T2-HAL-A27-30DW6C
9 W	3000 K	40°	550 lm	Reflector	☒	80	100-240	T2-HAL-A27-30DX6C
9 W	4000 K	40°	550 lm	Reflector	☒	80	100-240	T2-HAL-A27-30D06C
9 W	2700 K	60°	500 lm	Reflector	☒	80	100-240	T2-HAL-A37-30DW6C
9 W	3000 K	60°	550 lm	Reflector	☒	80	100-240	T2-HAL-A37-30DX6C
9 W	4000 K	60°	550 lm	Reflector	☒	80	100-240	T2-HAL-A37-30D06C
13 W	2700 K	15°	800 lm	Reflector	☒	80	100-240	T2-HAL-B27-28DW6C
13 W	3000 K	15°	800 lm	Reflector	☒	80	100-240	T2-HAL-B27-28DX6C
13 W	4000 K	15°	800 lm	Reflector	☒	80	100-240	T2-HAL-B27-28D06C
13 W	2700 K	28°	800 lm	Reflector	☒	80	100-240	T2-HAL-B37-28DW6C
13 W	3000 K	28°	800 lm	Reflector	☒	80	100-240	T2-HAL-B37-28DX6C
13 W	4000 K	28°	800 lm	Reflector	☒	80	100-240	T2-HAL-B37-28D06C
13 W	2700 K	40°	800 lm	Reflector	☒	80	100-240	T2-HAL-B47-28DW6C
13 W	3000 K	40°	800 lm	Reflector	☒	80	100-240	T2-HAL-B47-28DX6C
13 W	4000 K	40°	800 lm	Reflector	☒	80	100-240	T2-HAL-B47-28D06C
13 W	2700 K	60°	800 lm	Reflector	☒	80	100-240	T2-HAL-B57-28DW6C
13 W	3000 K	60°	800 lm	Reflector	☒	80	100-240	T2-HAL-B57-28DX6C
13 W	4000 K	60°	800 lm	Reflector	☒	80	100-240	T2-HAL-B57-28D06C
17 W	2700 K	15°	930 lm	Reflector	☒	80	100-240	T2-HAL-B87-27DW6C
17 W	3000 K	15°	1000 lm	Reflector	☒	80	100-240	T2-HAL-B87-27DX6C
17 W	4000 K	15°	1000 lm	Reflector	☒	80	100-240	T2-HAL-B87-27D06C
17 W	2700 K	28°	930 lm	Reflector	☒	80	100-240	T2-HAL-B97-27DW6C
17 W	3000 K	28°	1000 lm	Reflector	☒	80	100-240	T2-HAL-B97-27DX6C
17 W	4000 K	28°	1000 lm	Reflector	☒	80	100-240	T2-HAL-B97-27D06C
17 W	2700 K	40°	930 lm	Reflector	☒	80	100-240	T2-HAL-C07-27DW6C
17 W	3000 K	40°	1000 lm	Reflector	☒	80	100-240	T2-HAL-C07-27DX6C
17 W	4000 K	40°	1000 lm	Reflector	☒	80	100-240	T2-HAL-C07-27D06C
17 W	2700 K	60°	930 lm	Reflector	☒	80	100-240	T2-HAL-C17-27DW6C
17 W	3000 K	60°	1000 lm	Reflector	☒	80	100-240	T2-HAL-C17-27DX6C
17 W	4000 K	60°	1000 lm	Reflector	☒	80	100-240	T2-HAL-C17-27D06C

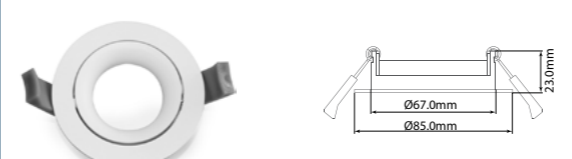
☒ Clear

Note:
 1. LED is a dynamic and constantly evolving technology. The final lux output of LED Downlight Iceberg may vary.
 2. LED Downlight Hallux needs to connect with an external driver.
 3. The total system power consumption is with 10% tolerance under 100-240V input voltage.
 4. Operating temperature = Ta-20°C → + 40°C.

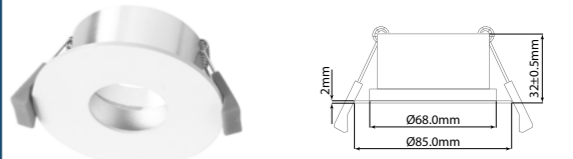
LED DOWNLIGHT HALLUX

F SERIES

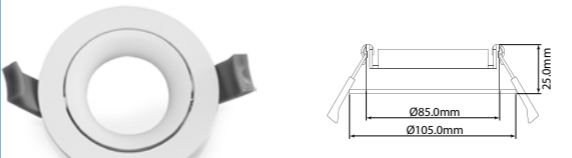
ACCESSORIES - DOWNLIGHT TRIMS



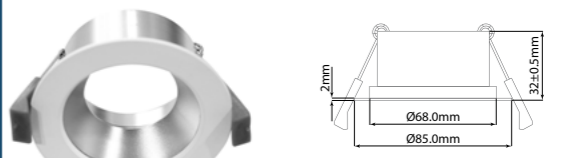
Name Circus S, White
 Article No. LZ-HAH-MJ-I2233C
 Cut-out Size 70-78mm
 Fixture Type Adjustable 30°




Name Ringo S, White
 Article No. LZ-HAH-MJ-I2633C
 Cut-out Size 70-72mm
 Fixture Type Fixed



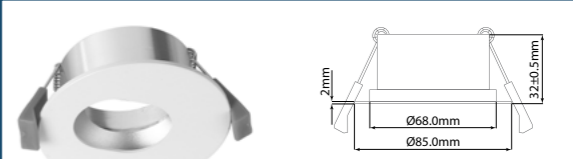
Name Circus L, White
 Article No. LZ-HAH-MJ-I2333C
 Cut-out Size 90-98mm
 Fixture Type Adjustable 30°




Name Ringo L, White
 Article No. LZ-HAH-MJ-I2733C
 Cut-out Size 70-72mm
 Fixture Type Fixed



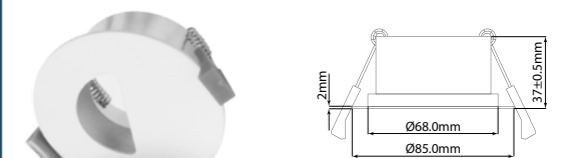
Name Ray X Fixed, White
 Article No. LZ-HAH-MJ-I2433C
 Cut-out Size 75-77mm
 Fixture Type Fixed




Name Ringo Oval, White
 Article No. LZ-HAH-MJ-I2833C
 Cut-out Size 70-72mm
 Fixture Type Fixed



Name Ray X Adjustable, White
 Article No. LZ-HAH-MJ-I2533C
 Cut-out Size 90-92mm
 Fixture Type Adjustable 30°



Name Ringo Rainbow, White
 Article No. LZ-HAH-MJ-I3333C
 Cut-out Size 70-72mm
 Fixture Type Fixed



Name Squarey, White
 Article No. LZ-HAH-MJ-I2933C
 Cut-out Size 92x92mm
 Fixture Type Fixed

TECHNICAL DETAILS

System Power	No. of LEDs	CCT	Beam Angle	Light Output	CRI	Power Factor	Dimension (L x W x H)	Cut Out Size (L x W)	Weight	Art.-No.
2 W	1 pc	2700 K	30°	180 lm	80	>0.90	45x45x50mm	37x37mm	45gm	T8-GLX-MJ-51212C
2 W	1 pc	3000 K	30°	180 lm	80	>0.90	45x45x50mm	37x37mm	45gm	T8-GLX-MJ-51232C
2 W	1 pc	4000 K	30°	200 lm	80	>0.90	45x45x50mm	37x37mm	45gm	T8-GLX-MJ-51252C
2 W	1 pc	6000 K	30°	200 lm	80	>0.90	45x45x50mm	37x37mm	45gm	T8-GLX-MJ-51292C
2 W	1 pc	2700 K	45°	180 lm	80	>0.90	45x45x50mm	37x37mm	45gm	T8-GLX-MJ-51312C
2 W	1 pc	3000 K	45°	180 lm	80	>0.90	45x45x50mm	37x37mm	45gm	T8-GLX-MJ-51352C
2 W	1 pc	4000 K	45°	200 lm	80	>0.90	45x45x50mm	37x37mm	45gm	T8-GLX-MJ-51352C
2 W	1 pc	6000 K	45°	200 lm	80	>0.90	45x45x50mm	37x37mm	45gm	T8-GLX-MJ-51392C
4 W	2 pcs	2700 K	30°	360 lm	80	>0.90	75x45x50mm	68x37mm	90gm	T8-GLX-NJ-52212C
4 W	2 pcs	3000 K	30°	360 lm	80	>0.90	75x45x50mm	68x37mm	90gm	T8-GLX-NJ-52232C
4 W	2 pcs	4000 K	30°	400 lm	80	>0.90	75x45x50mm	68x37mm	90gm	T8-GLX-NJ-52252C
4 W	2 pcs	6000 K	30°	400 lm	80	>0.90	75x45x50mm	68x37mm	90gm	T8-GLX-NJ-52292C
4 W	2 pcs	2700 K	45°	360 lm	80	>0.90	75x45x50mm	68x37mm	90gm	T8-GLX-NJ-52312C
4 W	2 pcs	3000 K	45°	360 lm	80	>0.90	75x45x50mm	68x37mm	90gm	T8-GLX-NJ-52332C
4 W	2 pcs	4000 K	45°	400 lm	80	>0.90	75x45x50mm	68x37mm	90gm	T8-GLX-NJ-52352C
4 W	2 pcs	6000 K	45°	400 lm	80	>0.90	75x45x50mm	68x37mm	90gm	T8-GLX-NJ-52392C
10 W	5 pcs	2700 K	30°	900 lm	80	>0.90	148x45x50mm	140x37mm	220gm	T8-GLX-CJ-53212C
10 W	5 pcs	3000 K	30°	900 lm	80	>0.90	148x45x50mm	140x37mm	220gm	T8-GLX-CJ-53232C
10 W	5 pcs	4000 K	30°	1000 lm	80	>0.90	148x45x50mm	140x37mm	220gm	T8-GLX-CJ-53252C
10 W	5 pcs	6000 K	30°	1000 lm	80	>0.90	148x45x50mm	140x37mm	220gm	T8-GLX-CJ-53292C
10 W	5 pcs	2700 K	45°	900 lm	80	>0.90	148x45x50mm	140x37mm	220gm	T8-GLX-CJ-53312C
10 W	5 pcs	3000 K	45°	900 lm	80	>0.90	148x45x50mm	140x37mm	220gm	T8-GLX-CJ-53332C
10 W	5 pcs	4000 K	45°	1000 lm	80	>0.90	148x45x50mm	140x37mm	220gm	T8-GLX-CJ-53352C
10 W	5 pcs	6000 K	45°	1000 lm	80	>0.90	148x45x50mm	140x37mm	220gm	T8-GLX-CJ-53392C
20 W	10 pcs	2700 K	30°	1800 lm	80	>0.90	280x45x50mm	273x37mm	440gm	T8-GLX-AJ-54212C
20 W	10 pcs	3000 K	30°	1800 lm	80	>0.90	280x45x50mm	273x37mm	440gm	T8-GLX-AJ-54232C
20 W	10 pcs	4000 K	30°	2000 lm	80	>0.90	280x45x50mm	273x37mm	440gm	T8-GLX-AJ-54252C
20 W	10 pcs	6000 K	30°	2000 lm	80	>0.90	280x45x50mm	273x37mm	440gm	T8-GLX-AJ-54292C
20 W	10 pcs	2700 K	45°	1800 lm	80	>0.90	280x45x50mm	273x37mm	440gm	T8-GLX-AJ-54312C
20 W	10 pcs	3000 K	45°	1800 lm	80	>0.90	280x45x50mm	273x37mm	440gm	T8-GLX-AJ-54332C
20 W	10 pcs	4000 K	45°	2000 lm	80	>0.90	280x45x50mm	273x37mm	440gm	T8-GLX-AJ-54352C
20 W	10 pcs	6000 K	45°	2000 lm	80	>0.90	280x45x50mm	273x37mm	440gm	T8-GLX-AJ-54392C
30 W	15 pcs	2700 K	30°	2700 lm	80	>0.90	413x45x50mm	405x37mm	660gm	T8-GLX-OJ-55212C
30 W	15 pcs	3000 K	30°	2700 lm	80	>0.90	413x45x50mm	405x37mm	660gm	T8-GLX-OJ-55232C
30 W	15 pcs	4000 K	30°	3000 lm	80	>0.90	413x45x50mm	405x37mm	660gm	T8-GLX-OJ-55252C
30 W	15 pcs	6000 K	30°	3000 lm	80	>0.90	413x45x50mm	405x37mm	660gm	T8-GLX-OJ-55292C
30 W	15 pcs	2700 K	45°	2700 lm	80	>0.90	413x45x50mm	405x37mm	660gm	T8-GLX-OJ-55312C
30 W	15 pcs	3000 K	45°	2700 lm	80	>0.90	413x45x50mm	405x37mm	660gm	T8-GLX-OJ-55332C
30 W	15 pcs	4000 K	45°	3000 lm	80	>0.90	413x45x50mm	405x37mm	660gm	T8-GLX-OJ-55352C
30 W	15 pcs	6000 K	45°	3000 lm	80	>0.90	413x45x50mm	405x37mm	660gm	T8-GLX-OJ-55392C

Note :

1. LED is a dynamic and constantly evolving technology. The final lux output of LED Linear Downlight Galaxus may vary.
2. LED Linear Downlight Galaxus needs to connect with an external driver.
3. The total system power consumption is with 10% tolerance under 100-240V input voltage.
4. Operating temperature = Ta-30°C → +45°C.

LED LINEAR DOWNLIGHT GALAXUS

LEDIGAMI LED LINEAR DOWNLIGHT GALAXUS, the slim and modern recessed spotlight that is ideal for the lighting of shop-windows, corridors and entrances. It is a perfect fusion of architectural aesthetics, art-state LED lighting with classic design that allows to achieve a simple and comfortable lighting environment that you would expect from halogen spot light. GALAXUS offers a selection of five models, despite the impossibly small in size; it is incredibly bright, therefore capable of creating the perfect illuminations for application areas.



SPECIFICATIONS

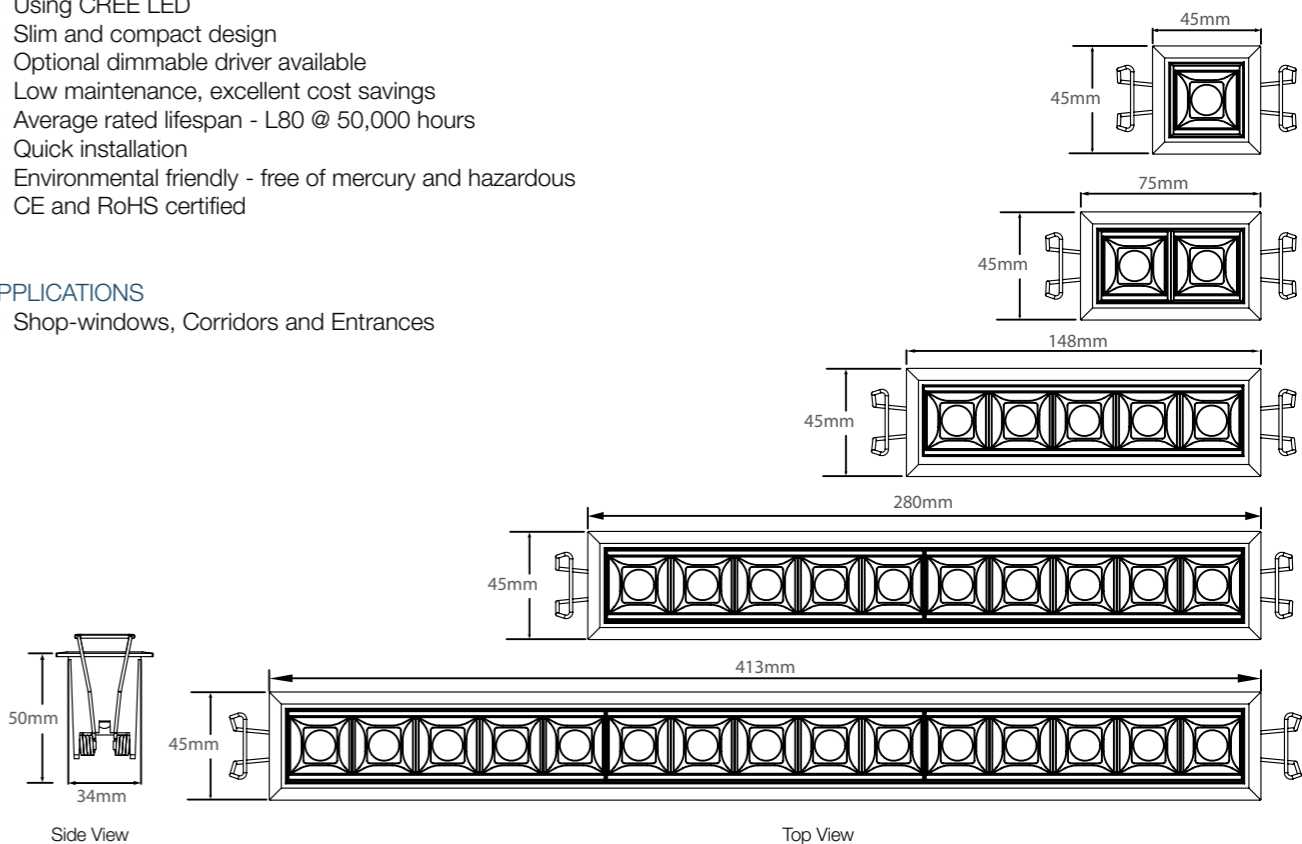
- System Power : 2W, 4W, 10W, 20W & 30W
- Number of LEDs : 1pc, 2pcs, 5pcs, 10pcs & 15pcs
- Beam Angles : 30° & 45°
- CCT : 2700K, 3000K, 4000K & 6000K
- CRI : 80 (*CRI90)
- IP rating : IP20

HIGHLIGHTS

- Using CREE LED
- Slim and compact design
- Optional dimmable driver available
- Low maintenance, excellent cost savings
- Average rated lifespan - L80 @ 50,000 hours
- Quick installation
- Environmental friendly - free of mercury and hazardous
- CE and RoHS certified

APPLICATIONS

- Shop-windows, Corridors and Entrances



* CRI90 available upon request
 ** The photometric data were measured at initial state (Ta= 25°C)
 *** Tolerance for dimensions = ±2.5mm

LED TRACKLIGHT SMART

TECHNICAL DETAILS

System Power	CCT	Beam Angle	Light Output	CRI	Power Factor	Voltage	Body Color	Art.-No.
45 W	3000 K	25°	3500 lm	80	0.9	100-240 V	Black	T2-SMA-2U-81AP6T
45 W	4000 K	25°	3500 lm	80	0.9	100-240 V	Black	T2-SMA-2U-81A26T
45 W	6000 K	25°	3500 lm	80	0.9	100-240 V	Black	T2-SMA-2U-81AG6T
45 W	3000 K	45°	3500 lm	80	0.9	100-240 V	Black	T2-SMA-2U-81AZ6T
45 W	4000 K	45°	3500 lm	80	0.9	100-240 V	Black	T2-SMA-2U-81A66T
45 W	6000 K	45°	3500 lm	80	0.9	100-240 V	Black	T2-SMA-2U-81AH6T
45 W	3000 K	25°	3500 lm	80	0.9	100-240 V	White	T2-SMA-2U-81BP6T
45 W	4000 K	25°	3500 lm	80	0.9	100-240 V	White	T2-SMA-2U-81B26T
45 W	6000 K	25°	3500 lm	80	0.9	100-240 V	White	T2-SMA-2U-81BG6T
45 W	3000 K	45°	3500 lm	80	0.9	100-240 V	White	T2-SMA-2U-81B26T
45 W	4000 K	45°	3500 lm	80	0.9	100-240 V	White	T2-SMA-2U-81B66T
45 W	6000 K	45°	3500 lm	80	0.9	100-240 V	White	T2-SMA-2U-81BH6T
45 W	3000 K	25°	3000 lm	90	0.9	100-240 V	Black	T2-SMA-2U-81AP7T
45 W	4000 K	25°	3000 lm	90	0.9	100-240 V	Black	T2-SMA-2U-81A27T
45 W	6000 K	25°	3000 lm	90	0.9	100-240 V	Black	T2-SMA-2U-81AG7T
45 W	3000 K	45°	3000 lm	90	0.9	100-240 V	Black	T2-SMA-2U-81AZ7T
45 W	4000 K	45°	3000 lm	90	0.9	100-240 V	Black	T2-SMA-2U-81A67T
45 W	6000 K	45°	3000 lm	90	0.9	100-240 V	Black	T2-SMA-2U-81AH7T
45 W	3000 K	25°	3000 lm	90	0.9	100-240 V	White	T2-SMA-2U-81BP7T
45 W	4000 K	25°	3000 lm	90	0.9	100-240 V	White	T2-SMA-2U-81B27T
45 W	6000 K	25°	3000 lm	90	0.9	100-240 V	White	T2-SMA-2U-81BG7T
45 W	3000 K	45°	3000 lm	90	0.9	100-240 V	White	T2-SMA-2U-81B27T
45 W	4000 K	45°	3000 lm	90	0.9	100-240 V	White	T2-SMA-2U-81B67T
45 W	6000 K	45°	3000 lm	90	0.9	100-240 V	White	T2-SMA-2U-81BH7T

LEDIGAMI 45W LED Tracklight Smart can be applied to any homes, retails and commercial areas. The Chip On Board (COB) improves the performance of the lighting and it is a cheaper solution compared to the traditional LED lighting. Furthermore, with the stylish and practical design, the track can be mounted to ceiling and walls for a decorative wall display light.



LED TRACKLIGHT SMART

FEATURES

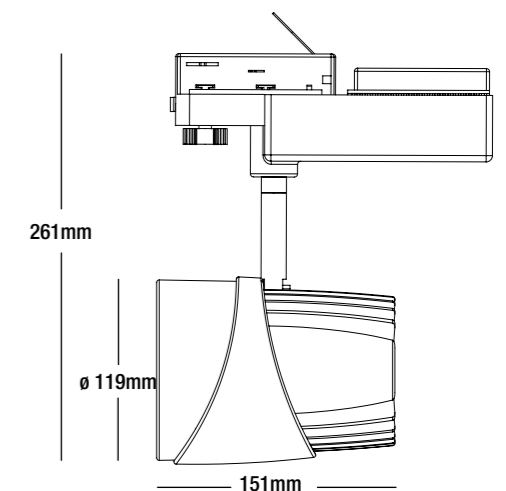
- System Power : 45W
- Beam Angle : 25° & 45°
- CCT : 3000K, 4000K & 6000K
- CRI : 80 & 90
- Color Available : White & Black
- IP rating : IP20
- Power Factor : 0.9

HIGHLIGHTS

- Easy Installation
- 45W models only suitable for 4 pins 3 circuits system
- Can be fixed to most of the track available in the market
- Replacing traditional Metal Halide 70W
- 80% energy saving compared to traditional light sources
- Average rated lifespan of 35,000 hours
- Low maintenance costs by reducing re-lamp frequency
- Environmental friendly – free of mercury and hazardous materials
- Instant-On Light
- CE and RoHS certified

APPLICATIONS

- Office, Commercial



Note :
 1. LED is a dynamic and constantly evolving technology. The final lux output of LED Tracklight Smart may vary.
 2. LED Tracklight Smart comes with an internal driver.
 3. The total system power consumption is with 10% tolerance under 100-240V input voltage.
 4. Operating temperature =Ta-20°C → + 40°C.

* The photometric data were measured at initial state (Ta= 25°C)
 * Tolerance for dimensions = ±2.5mm

TECHNICAL DETAILS

System Power	CCT	Beam Angle	Light Output	CRI	Power Factor	Voltage	Body Color	Art.-No.
15 W	3000 K	15°	1100 lm	80	0.9	100-240 V	White	T2-SMM-NS-83BX6T
15 W	4000 K	15°	1100 lm	80	0.9	100-240 V	White	T2-SMM-NS-83B06T
15 W	5700 K	15°	1100 lm	80	0.9	100-240 V	White	T2-SMM-NS-83BF6T
15 W	3000 K	25°	1100 lm	80	0.9	100-240 V	White	T2-SMM-PS-83BX6T
15 W	4000 K	25°	1100 lm	80	0.9	100-240 V	White	T2-SMM-PS-83B06T
15 W	5700 K	25°	1100 lm	80	0.9	100-240 V	White	T2-SMM-PS-83BF6T
15 W	3000 K	15°	800 lm	90	0.9	100-240 V	White	T2-SMM-NS-83BX7T
15 W	4000 K	15°	800 lm	90	0.9	100-240 V	White	T2-SMM-NS-83B07T
15 W	5700 K	15°	800 lm	90	0.9	100-240 V	White	T2-SMM-NS-83BF7T
15 W	3000 K	25°	800 lm	90	0.9	100-240 V	White	T2-SMM-PS-83BX7T
15 W	4000 K	25°	800 lm	90	0.9	100-240 V	White	T2-SMM-PS-83B07T
15 W	5700 K	25°	800 lm	90	0.9	100-240 V	White	T2-SMM-PS-83BF7T
15 W	3000 K	15°	1100 lm	80	0.9	100-240 V	Black	T2-SMM-NS-83AX6T
15 W	4000 K	15°	1100 lm	80	0.9	100-240 V	Black	T2-SMM-NS-83A06T
15 W	5700 K	15°	1100 lm	80	0.9	100-240 V	Black	T2-SMM-NS-83AF6T
15 W	3000 K	25°	1100 lm	80	0.9	100-240 V	Black	T2-SMM-PS-83AX6T
15 W	4000 K	25°	1100 lm	80	0.9	100-240 V	Black	T2-SMM-PS-83A06T
15 W	5700 K	25°	1100 lm	80	0.9	100-240 V	Black	T2-SMM-PS-83AF6T
15 W	3000 K	15°	800 lm	90	0.9	100-240 V	Black	T2-SMM-NS-83AX7T
15 W	4000 K	15°	800 lm	90	0.9	100-240 V	Black	T2-SMM-NS-83A07T
15 W	5700 K	15°	800 lm	90	0.9	100-240 V	Black	T2-SMM-NS-83AF7T
15 W	3000 K	25°	800 lm	90	0.9	100-240 V	Black	T2-SMM-PS-83AX7T
15 W	4000 K	25°	800 lm	90	0.9	100-240 V	Black	T2-SMM-PS-83A07T
15 W	5700 K	25°	800 lm	90	0.9	100-240 V	Black	T2-SMM-PS-83AF7T
30 W	3000 K	15°	2350 lm	80	0.9	100-240 V	White	T2-SMM-KS-82BX6T
30 W	4000 K	15°	2350 lm	80	0.9	100-240 V	White	T2-SMM-KS-82B06T
30 W	5700 K	15°	2350 lm	80	0.9	100-240 V	White	T2-SMM-KS-82BF6T
30 W	3000 K	25°	2350 lm	80	0.9	100-240 V	White	T2-SMM-LS-82BX6T
30 W	4000 K	25°	2350 lm	80	0.9	100-240 V	White	T2-SMM-LS-82B06T
30 W	5700 K	25°	2350 lm	80	0.9	100-240 V	White	T2-SMM-LS-82BF6T
30 W	3000 K	15°	1880 lm	90	0.9	100-240 V	White	T2-SMM-KS-82BX7T
30 W	4000 K	15°	1880 lm	90	0.9	100-240 V	White	T2-SMM-KS-82B07T
30 W	5700 K	15°	1880 lm	90	0.9	100-240 V	White	T2-SMM-KS-82BF7T
30 W	3000 K	25°	1880 lm	90	0.9	100-240 V	White	T2-SMM-LS-82BX7T
30 W	4000 K	25°	1880 lm	90	0.9	100-240 V	White	T2-SMM-LS-82B07T
30 W	5700 K	25°	1880 lm	90	0.9	100-240 V	White	T2-SMM-LS-82BF7T
30 W	3000 K	15°	2350 lm	80	0.9	100-240 V	Black	T2-SMM-KS-82AX6T
30 W	4000 K	15°	2350 lm	80	0.9	100-240 V	Black	T2-SMM-KS-82A06T
30 W	5700 K	15°	2350 lm	80	0.9	100-240 V	Black	T2-SMM-KS-82AF6T
30 W	3000 K	25°	2350 lm	80	0.9	100-240 V	Black	T2-SMM-LS-82AX6T
30 W	4000 K	25°	2350 lm	80	0.9	100-240 V	Black	T2-SMM-LS-82A06T
30 W	5700 K	25°	2350 lm	80	0.9	100-240 V	Black	T2-SMM-LS-82AF6T
30 W	3000 K	15°	1880 lm	90	0.9	100-240 V	Black	T2-SMM-KS-82AX7T
30 W	4000 K	15°	1880 lm	90	0.9	100-240 V	Black	T2-SMM-KS-82A07T
30 W	5700 K	15°	1880 lm	90	0.9	100-240 V	Black	T2-SMM-KS-82AF7T
30 W	3000 K	25°	1880 lm	90	0.9	100-240 V	Black	T2-SMM-LS-82AX7T
30 W	4000 K	25°	1880 lm	90	0.9	100-240 V	Black	T2-SMM-LS-82A07T
30 W	5700 K	25°	1880 lm	90	0.9	100-240 V	Black	T2-SMM-LS-82AF7T

Note :
 1. LED is a dynamic and constantly evolving technology. The final lux output of LED Tracklight Smart Mini may vary.
 2. LED Tracklight Smart Mini comes with an internal driver.
 3. The total system power consumption is with 10% tolerance under 100-240V input voltage.
 4. Operating temperature = Ta-20°C → + 40°C.

LED TRACKLIGHT SMART MINI

LEDIGAMI LED Tracklight Smart Mini is the smaller version of existing LED Tracklight Smart.

Although it is smaller in size, it is still powerful compared to the traditional LED lighting. Tracklight Smart Mini can be applied to any homes, restaurants and hotels.



LED TRACKLIGHT SMART MINI

FEATURES

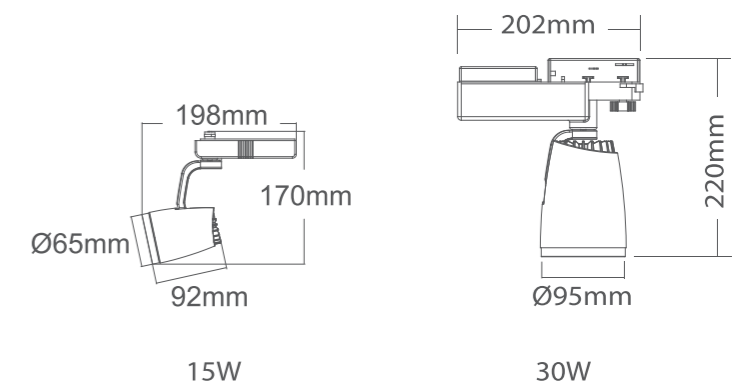
- System Power : 15W & 30W
- Beam Angle : 15° & 25°
- CCT : 3000K, 4000K & 5700K
- CRI : 80 & 90
- Color Available : White & Black
- IP rating : IP20
- Power Factor : 0.9

HIGHLIGHTS

- Easy Installation
- 15W models only suitable for 2 pins 1 circuit system
- 30W models only suitable for 4 pins 3 circuits system
- Can be fixed to most of the track available in the market
- 80% energy saving compared to traditional light sources
- Average rated lifespan of 35,000 hours
- Environmental friendly - free of mercury and hazardous
- Instant-On Light
- CE and RoHS certified

APPLICATIONS

- Home, Office, Commercial



* The photometric data were measured at initial state (Ta= 25°C)
 * Tolerance for dimensions = ±2.5mm

PASSION, SUSTAINABILITY, STRENGTH

LEDIGAMI is a company that is passionate about its core virtues of engineering, being creative and innovation of great products that are valuable and lasting.

Being able to make use of this set of skills in times like these is a very fortunate situation that not many companies will ever experience. To use excellent technology and design to reduce the global energy consumption, to reduce the use of natural resources and to create fantastic products at the same time fuels the spirit of all people at LEDIGAMI and pushes the organization to new boundaries.

Some of which we can be proud of already.

The focus and the level of dedication at LEDIGAMI create products that bring great benefits to designers, fixture makers and to all users. When light was an incandescent bulb the world was simple, when it became LED plus a driver it turned very complicated just to allow LEDIGAMI to make it simple again. We are just striving to invent and to design good products. With this in mind we will continue to surprise you with exciting things.

LEDIGAMI

TAKE THE FIRST STEP TOWARDS NEW LIGHT