

## DATA SHEET

Model No.  
**DS-409 Push Button Switch**  
 Button: Red, Black White,  
 Yellow & Blue

Specifications :

Rating : 3A.125V. AC  
 Circuit : ON-ON SPDT (Alternate)  
 Contact Resistance : 20mΩ or less  
 Insulation Resistance : DC500V Megger  
 100MΩ or more  
 Voltage Breakdown : AC1000V (1 minute)

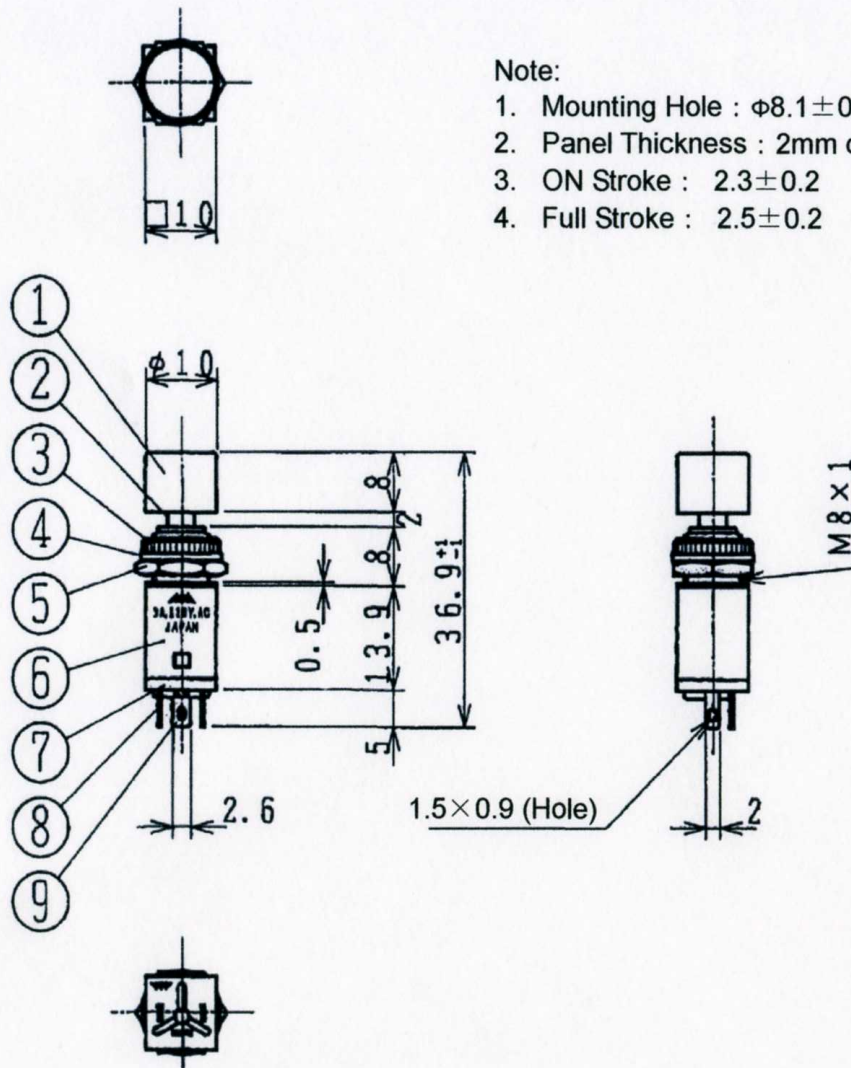
Construction :

	Materials	Finish
① Button	PA	Each Color
② Shaft	POM	
③ Knurled Nut	C3604BDS	E@-Cu/Ni
④ Spring Washer	SWRH	Ep-Fe/Ni
⑤ Hex. Nut	C-3604	Ep-Cu/Ni
⑥ Body	PC	Black
⑦ Base	PF	Black
⑧ Terminals (A)	C1100R	Ep-Cu/Ag
⑨ Terminal (B)	C2680R	Ep-Cu/Ag

Unit : mm

Note:

1. Mounting Hole :  $\phi 8.1 \pm 0.1$
2. Panel Thickness : 2mm or less
3. ON Stroke :  $2.3 \pm 0.2$
4. Full Stroke :  $2.5 \pm 0.2$



MIYAMA ELECTRIC CO., LTD. TOKYO JAPAN