

Lead-Acid Battery



Features

- 3+ years floating charge life
- Special lead - calcium alloy plate
- High capability adsorptive clapboard
- Valve-regulated and sealed configuration
- No dissociative acid
- Maintenance-free operation
- Low self-discharge

Applications

Emergency lighting systems, electric tools, fire alarms, security and UPS systems, backup power systems, electric systems etc.



Specification

Nominal Voltage	12 V
Rated Capacity (20 hour rate)	7 Ah
Length	181 mm
Width	77 mm
Height	167 mm
Total Height	167 mm
Weight	Approx. 4.9 kg

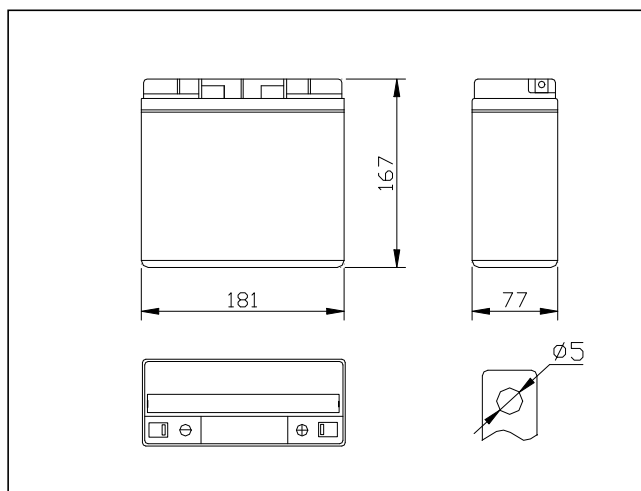
Characteristics

Capacity 25°C (77°F)	20 hour rate (850mA)	17Ah
	10 hour rate (1.7A)	17Ah
	5 hour rate (2.89A)	14.45Ah
	1 hour rate (11.05A)	11.05Ah
Internal Resistance	Full Charged Battery 25°C (77°F)	15mΩ
Cyclic Life	50%(C20) Depth of discharge	600 Times
Float Life	25°C (77°F) Float charge at 13.8V	3~5 Years
Capacity affected by Temperature (20 hour)	40°C (104°F)	102%
	25°C (77°F)	100%
	0°C (32°F)	85%
	-15°C (5°F)	65%
Self-Discharge 25°C (77°F)	Capacity after 3 month storage	90%
	Capacity after 6 month storage	80%
	Capacity after 12 month storage	62%
Charge (Constant Voltage) 25°C (77°F)	Cycle	Initial Charging Current Less than 5.1A Voltage 14.4-14.7V
	Float	Voltage 13.50-13.80V

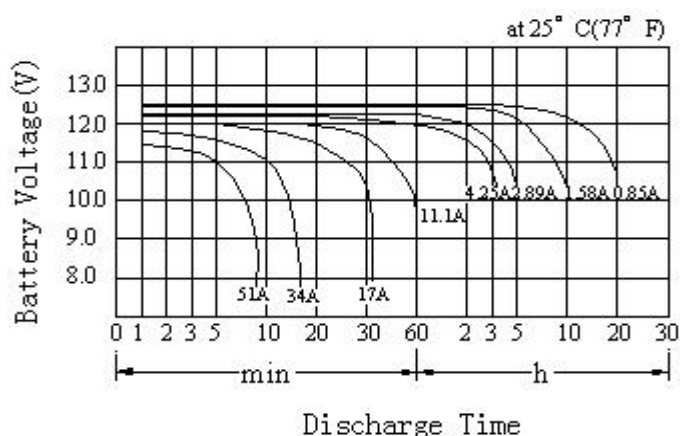
Lead-Acid Battery



Outer Dimensions



Discharge Curves



Discharge Characteristics of Constant Current and Power 25 °C

Time	Constant current discharge characteristics (A) (25°C/77°F)				Constant power discharge characteristics (W) (25°C/77°F)			
	47.6	51.0	61.2	68.0	544	583	700	778
1 min	47.6	51.0	61.2	68.0	544	583	700	778
5 min	42.5	47.6	54.4	59.5	491	550	629	688
15 min	27.2	28.9	30.6	34.0	318	338	358	397
30 min	15.3	17.66	18.7	20.4	181	209	221	241
45 min	13.22	13.41	13.6	13.98	160	162	164	168
1 hr	10.58	10.67	10.86	11.05	129	131	133	135
2 hr	5.61	5.78	5.87	5.95	68.4	70.5	71.5	72.6
3 hr	4.08	4.19	4.25	4.31	50.0	51.4	52.1	52.8
5 hr	2.85	2.89	2.89	2.93	35.0	35.4	35.4	35.9
8 hr	1.89	1.89	1.92	1.92	23.3	23.3	23.6	23.6
10 hr	1.55	1.58	1.60	1.60	19.1	19.5	19.7	19.7
20 hr	0.83	0.85	0.87	0.87	10.3	10.5	10.7	10.7
Final Voltage (V)	10.80	10.50	10.20	9.60	10.80	10.50	10.20	9.60

Art. Nr.
RND 305-00087